



US00D768605S

(12) **United States Design Patent** (10) **Patent No.:** **US D768,605 S**  
**Wong et al.** (45) **Date of Patent:** **\*\* Oct. 11, 2016**

(54) **REMOTE CONTROL**  
(71) Applicant: **SKY UK LIMITED**, Grant Way, Isleworth, Middlesex (GB)  
(72) Inventors: **Andrew Wong**, Herrenberg (DE); **Christopher Kuh**, San Francisco, CA (US)

D368,721 S 4/1996 Howell et al. .... D14/240  
D373,588 S 9/1996 Bowen et al. .... D14/218  
D377,797 S 2/1997 Stropkay et al. .... D14/218  
D387,352 S 12/1997 Kaneko et al. .... D14/218  
D393,628 S 4/1998 Ledbetter et al. .... D13/168  
5,973,757 A 10/1999 Aubuchon et al. .... D14/218  
D417,670 S 12/1999 Capps et al. .... D14/218  
D417,671 S 12/1999 Chorpenning et al. .... D14/218

(Continued)

(73) Assignee: **SKY UK LIMITED**, Isleworth, Middlesex (GB)

**FOREIGN PATENT DOCUMENTS**

(\*\*) Term: **14 Years**

AU 330042 S 2/2010  
DE 40207813-0001 3/2003

(Continued)

(21) Appl. No.: **29/521,038**

(22) Filed: **Mar. 19, 2015**

**OTHER PUBLICATIONS**

(30) **Foreign Application Priority Data**

Sep. 19, 2014 (EM) ..... 001421416-001  
Sep. 19, 2014 (EM) ..... 001421416-002  
Sep. 19, 2014 (EM) ..... 001421416-003  
Sep. 19, 2014 (EM) ..... 001421416-004

Andriod TV Box Remote Control Air Mouse Andriod Air Fly Mouse, archived on Oct. 12, 2013 [online][site visited Aug. 26, 2014] [http://xqj.en.alibaba.com/product/939063601-218809016/Android\\_TV\\_Box\\_Remote\\_Control\\_Air\\_Mouse\\_Android\\_Air\\_Fly\\_Mouse.html](http://xqj.en.alibaba.com/product/939063601-218809016/Android_TV_Box_Remote_Control_Air_Mouse_Android_Air_Fly_Mouse.html).

(Continued)

(51) **LOC (10) Cl.** ..... **14-03**

(52) **U.S. Cl.**  
USPC ..... **D14/218**

*Primary Examiner* — Ralf Seifert

(74) *Attorney, Agent, or Firm* — Rothwell, Figg, Ernst & Manbeck PC

(58) **Field of Classification Search**  
USPC ..... D14/137, 174, 217–218, 240, 247, D14/388–390, 396, 511, 485, 489, 490, 491, D14/492; D21/516; D13/162–164, 168, D13/174; 715/738; 434/350; 600/323; 348/211.99, 14.05, 114, 734; 341/175–176; 455/575.1  
CPC ..... G08C 23/04; G08C 19/12; H04N 5/44; H04L 17/02

(57) **CLAIM**

The ornamental design for a remote control, as shown and described.

See application file for complete search history.

**DESCRIPTION**

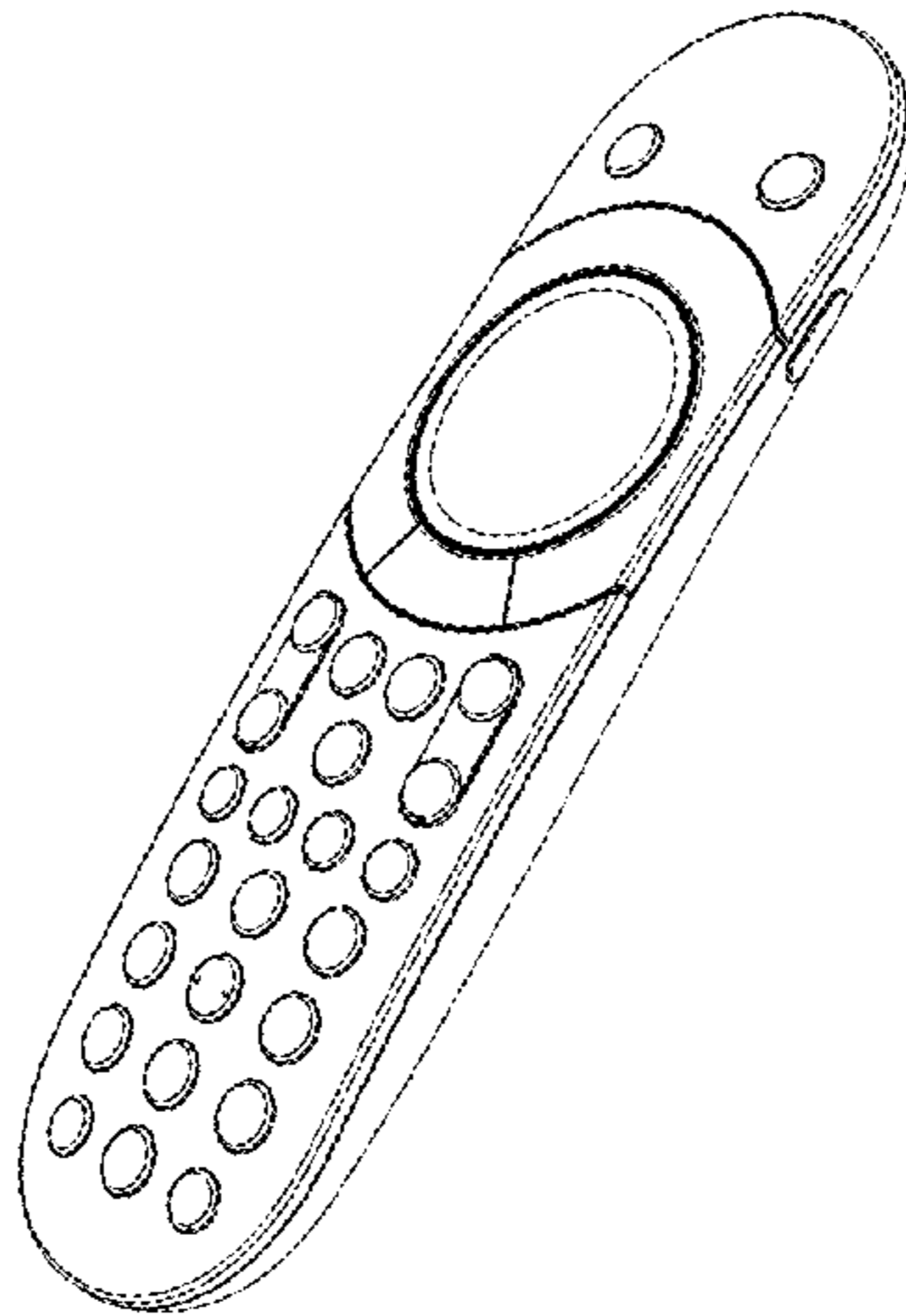
FIG. 1 shows a perspective view of a first embodiment of a remote control showing my new design;  
FIG. 2 shows a front elevation view thereof;  
FIG. 3 shows a rear elevation view thereof;  
FIG. 4 shows a right side elevation view thereof;  
FIG. 5 shows a left side elevation view thereof;  
FIG. 6 shows a top plan view thereof; and  
FIG. 7 shows a bottom plan view thereof.

(56) **References Cited**

**U.S. PATENT DOCUMENTS**

2,505,424 A 4/1950 Moseley ..... 343/776  
D363,486 S 10/1995 Shinohara et al. .... D14/218  
D366,876 S 2/1996 Labohm ..... D14/218

**1 Claim, 7 Drawing Sheets**



(56)

References Cited

U.S. PATENT DOCUMENTS

D417,673 S 12/1999 Choi ..... D14/248  
 D434,409 S 11/2000 Clapper ..... D14/218  
 D436,588 S 1/2001 Nakayama et al. .... D14/218  
 D457,520 S \* 5/2002 Laverick ..... D14/247  
 D485,546 S 1/2004 Olson et al. .... D14/218  
 D489,711 S 5/2004 James et al. .... D14/218  
 D499,396 S 12/2004 Lin ..... D14/218  
 D504,885 S 5/2005 Zhang et al. .... D14/218  
 D515,072 S \* 2/2006 Lee ..... D14/218  
 D515,557 S 2/2006 Okuley ..... D14/218  
 D516,545 S 3/2006 Lai ..... D14/218  
 D517,050 S 3/2006 Mabry et al. .... D14/218  
 D517,530 S 3/2006 Mabry et al. .... D14/218  
 D520,991 S 5/2006 Ma et al. .... D14/240  
 D527,375 S 8/2006 Flora et al. .... D14/218  
 D531,136 S 10/2006 Schoenert et al. .... D13/168  
 D533,165 S 12/2006 Knight et al.  
 D542,234 S 5/2007 Shimizu ..... D13/168  
 D542,281 S 5/2007 Mabry et al. .... D14/218  
 D546,807 S 7/2007 Lee ..... D14/138 AA  
 D568,827 S 5/2008 Ikeda et al. .... D13/168  
 D571,305 S 6/2008 Thursfield ..... D13/168  
 D573,957 S 7/2008 Ledbetter et al. .... D13/168  
 D580,914 S 11/2008 Tsao ..... D14/218  
 D583,855 S 12/2008 Oas ..... D18/7  
 D584,297 S \* 1/2009 Furuno ..... D14/247  
 D594,450 S \* 6/2009 Furuno ..... D14/247  
 D595,669 S 7/2009 Endo et al. .... D13/168  
 D596,163 S 7/2009 Madonna et al. .... D14/218  
 D600,681 S 9/2009 Tsao ..... D14/218  
 D605,179 S 12/2009 Rudolph et al. .... D14/218  
 D605,180 S 12/2009 Rudolph et al. .... D14/218  
 D611,433 S 3/2010 Tang et al. .... D13/168  
 D614,605 S 4/2010 Teh et al. .... D14/218  
 D622,685 S 8/2010 Garra et al. .... D14/137  
 D626,531 S \* 11/2010 Farmer ..... D14/218  
 D630,188 S 1/2011 Daniels ..... D14/218  
 D630,189 S \* 1/2011 Daniels ..... D14/218  
 D634,734 S 3/2011 Cho ..... D14/218  
 D636,761 S 4/2011 Hansen et al. .... D14/218  
 D645,848 S \* 9/2011 Arnholt ..... D14/218  
 D646,280 S 10/2011 Yano ..... D14/412  
 D648,285 S 11/2011 Kashimoto ..... D13/168  
 D654,055 S \* 2/2012 Won ..... D14/218

D664,945 S \* 8/2012 Morris ..... D14/218  
 D664,946 S \* 8/2012 Morris ..... D14/218  
 D665,382 S \* 8/2012 Kim ..... D14/218  
 D670,679 S \* 11/2012 Choi ..... D14/218  
 D673,934 S \* 1/2013 Shin ..... D14/218  
 D676,865 S \* 2/2013 Phelan ..... D14/487  
 D677,690 S \* 3/2013 Phelan ..... D14/487  
 D681,608 S 5/2013 Takami et al. .... D14/218  
 D684,939 S 6/2013 Cook et al. .... D13/168  
 D695,272 S 12/2013 Hansen et al. .... D14/218  
 D697,057 S 1/2014 Kwon et al. .... D14/218  
 D697,874 S 1/2014 Stusynski et al. .... D13/168  
 D699,223 S 2/2014 Maier et al. .... D14/218  
 D700,169 S \* 2/2014 Peh ..... D14/218  
 D703,190 S \* 4/2014 Zaslavsky ..... D14/218  
 D708,589 S \* 7/2014 Kosuge ..... D13/168  
 D714,762 S \* 10/2014 O'Neil ..... D14/218  
 D715,835 S \* 10/2014 Montgomery ..... D14/491  
 D738,883 S \* 9/2015 Pang ..... D14/218  
 D738,913 S \* 9/2015 Cabrera-Cordon ..... D14/491  
 2004/0203523 A1 10/2004 Harmon ..... 455/90.3

FOREIGN PATENT DOCUMENTS

EP 000486683-0001 4/2006  
 EP 000596275-0001 10/2006  
 EP 001656554-0001 1/2010  
 EP 001200968-0002 4/2010  
 EP 001694399-0001 4/2010  
 EP 001750100-0002 7/2011  
 EP 002081166-0001 8/2012  
 EP 002105809-0001 9/2012  
 EP 002105809-0002 9/2012  
 EP 001351399-0001 11/2012  
 EP 002124511-0001 1/2013  
 GB 2038735 4/1994  
 JP D2009-19744 8/2008  
 JP D2012-7066 3/2012

OTHER PUBLICATIONS

Keyspan Tune View for iPod, announced Mar. 13, 2007 [online][Site Visited Aug. 26, 2014] [http://the-gadgeteer.com/2007/03/13/keysan\\_tuneview\\_for\\_ipod/](http://the-gadgeteer.com/2007/03/13/keysan_tuneview_for_ipod/).

\* cited by examiner

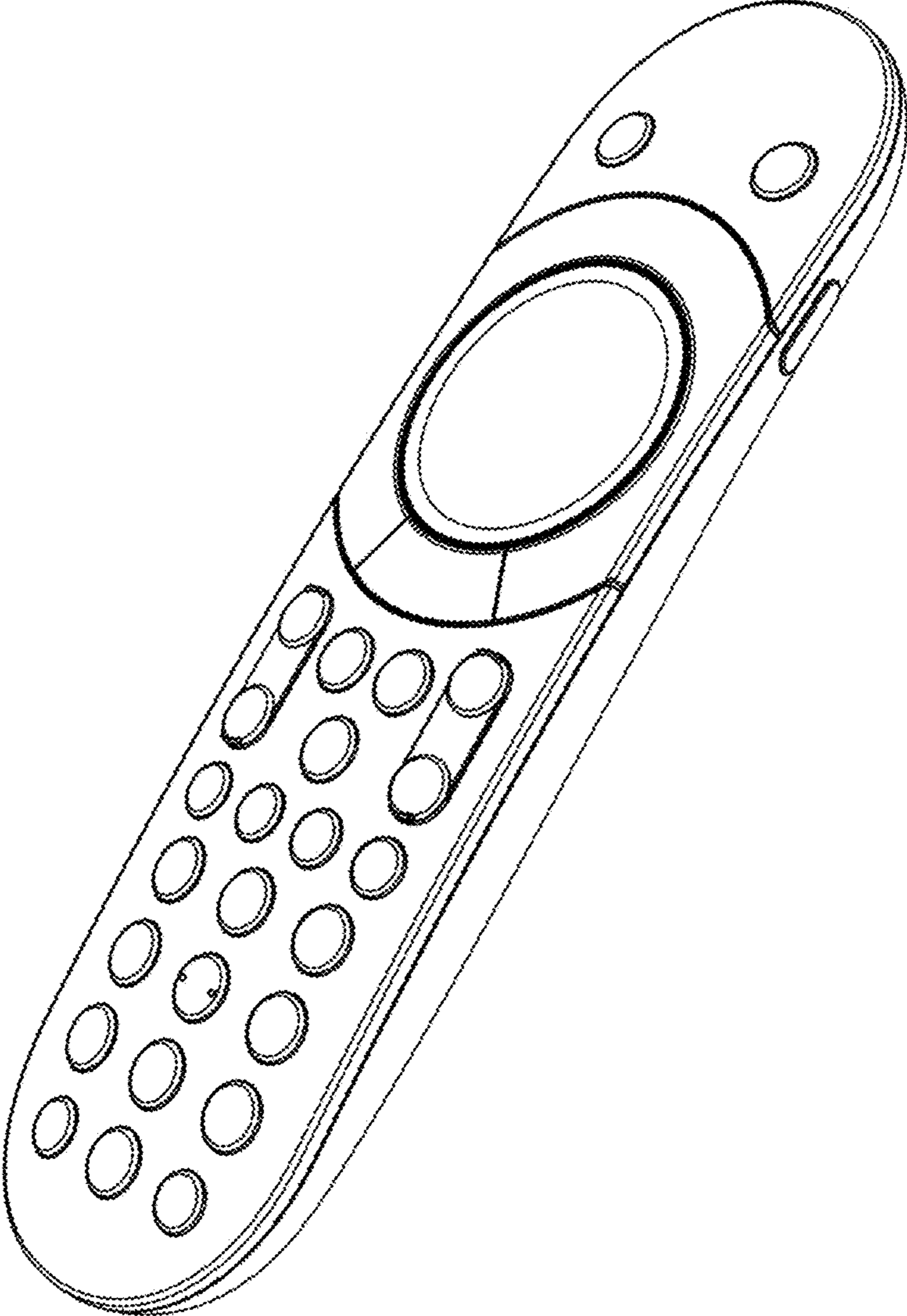


Fig. 1

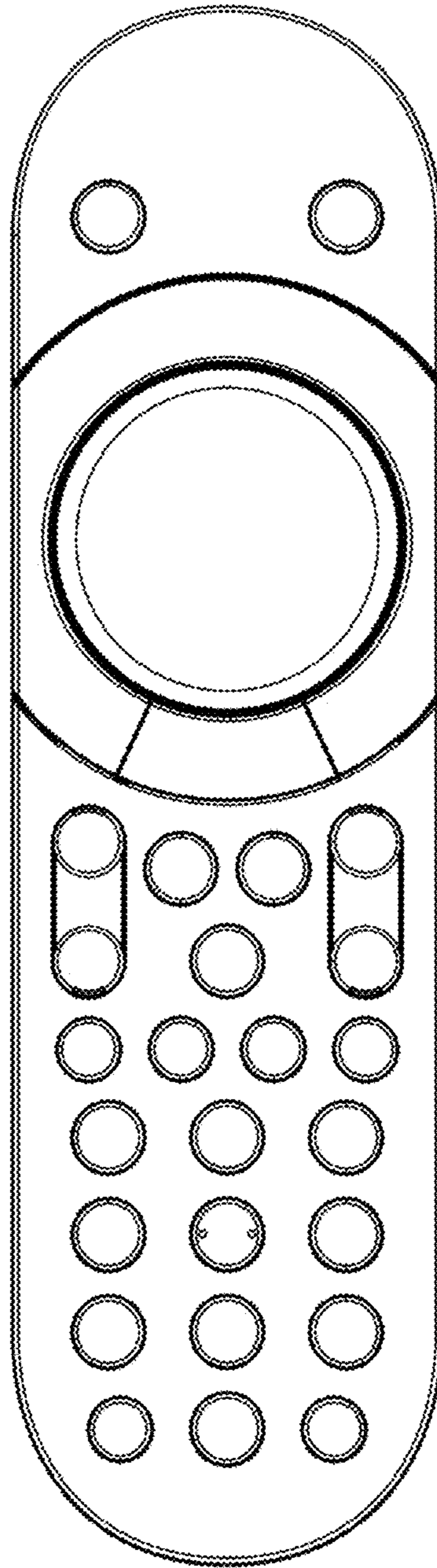


Fig. 2

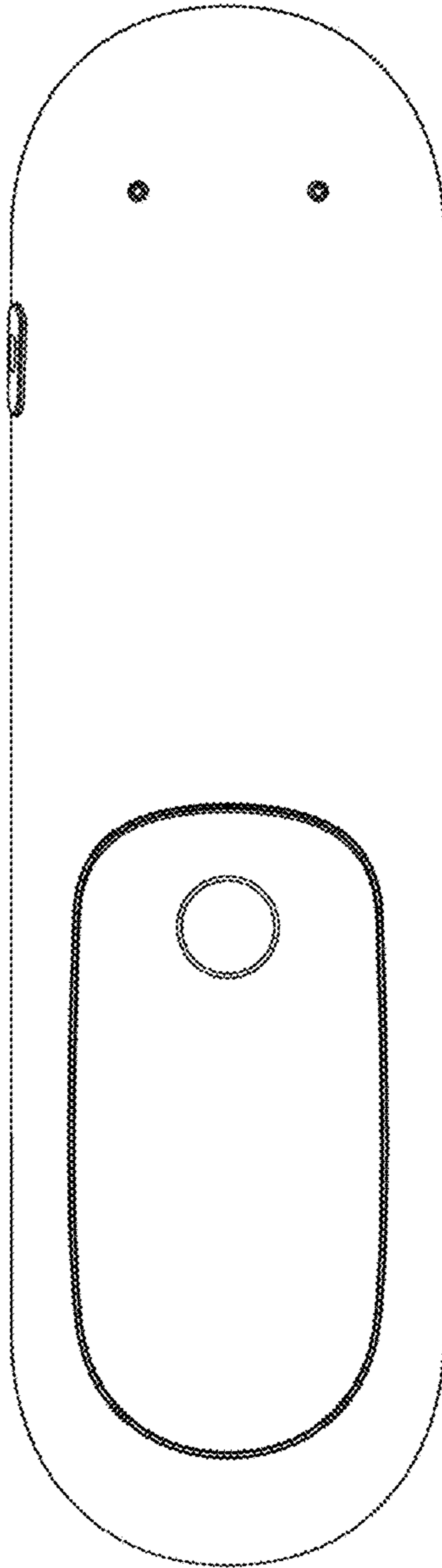


Fig. 3

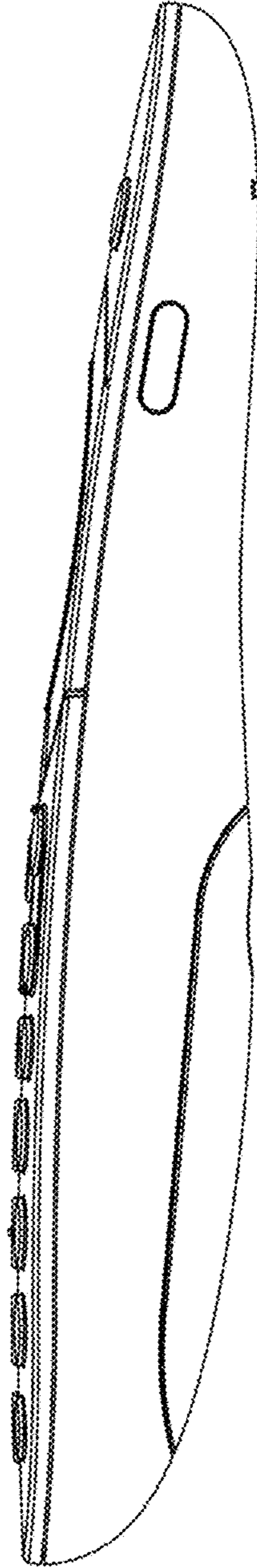


Fig. 4

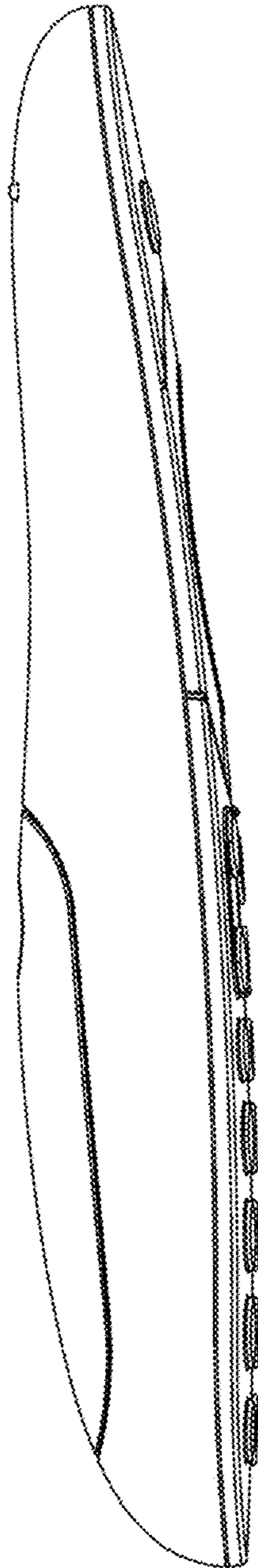


Fig. 5

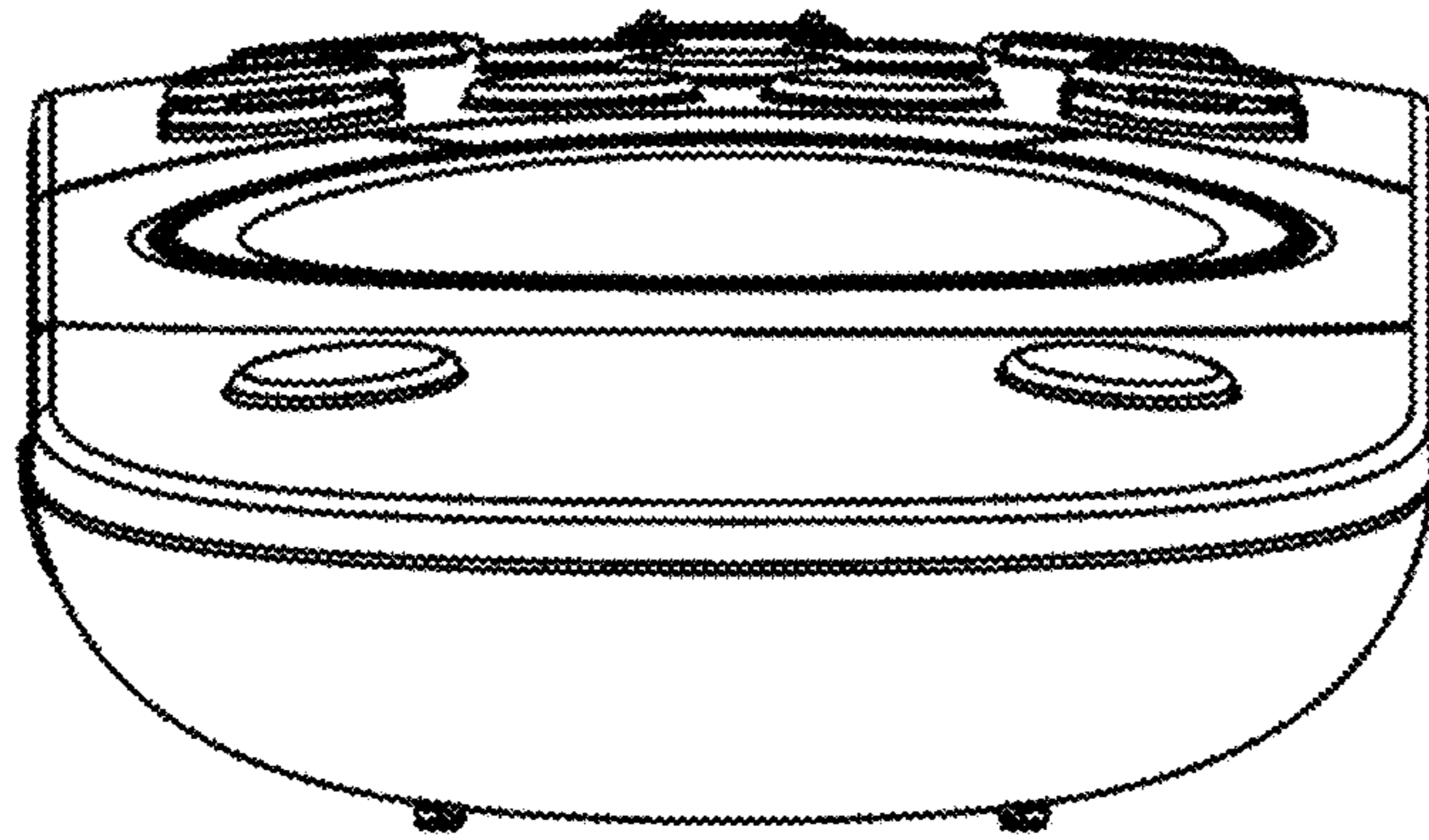


Fig. 6



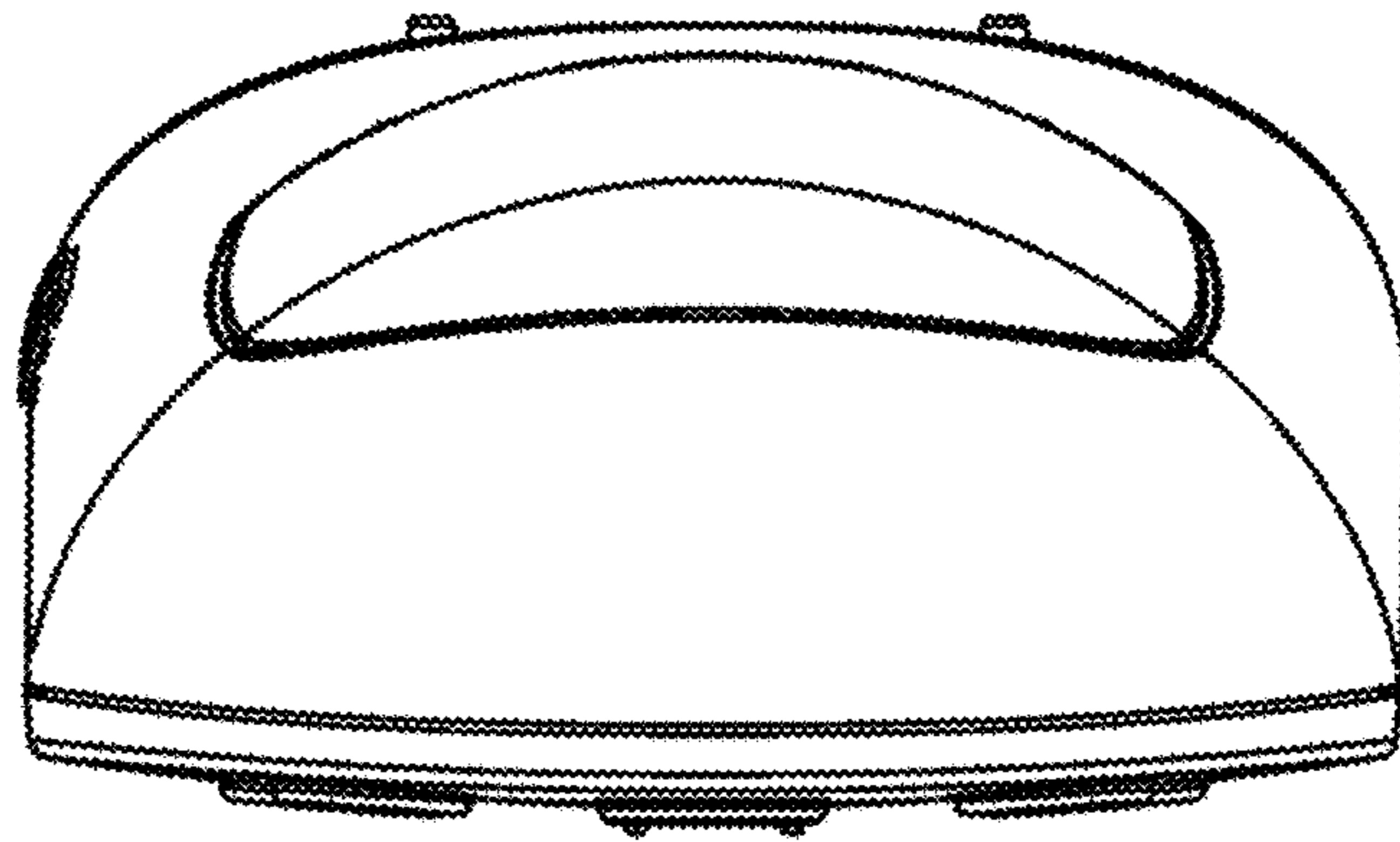


Fig. 7