



US00D768604S

(12) **United States Design Patent**
Flowers et al.

(10) **Patent No.:** **US D768,604 S**
(45) **Date of Patent:** **** Oct. 11, 2016**

(54) **SPEAKER WITH CHARGING BASE**

(71) Applicant: **Grohe AG**, Hemer (DE)

(72) Inventors: **Paul Flowers**, London (GB); **Antoine Besseyre Des Horts**, Meerbusch (DE)

(73) Assignee: **Grohe AG**, Hemer (DE)

(**) Term: **15 Years**

(21) Appl. No.: **29/535,266**

(22) Filed: **Aug. 5, 2015**

(30) **Foreign Application Priority Data**

Feb. 5, 2015 (EM) 002627497-0001

(51) **LOC (10) Cl.** **14-02**

(52) **U.S. Cl.**
USPC **D14/217**; D14/209.1; D13/108

(58) **Field of Classification Search**
USPC D14/217, 209.1, 204, 211, 215, 216,
D14/220, 221, 224, 224.1, 168, 172;
D13/107, 108; D28/61, 82, 88;
D7/624.1, 624.2, 603; D9/762, 767,
D9/772; 181/148; 381/120, 182, 145, 386;
455/573; 320/110, 111
CPC H04R 1/24; H04R 9/06
See application file for complete search history.

(56) **References Cited**

U.S. PATENT DOCUMENTS

- D33,284 S * 10/1900 Clement D24/101
- 2,963,256 A * 12/1960 Borah A47G 23/0225
215/393
- 3,028,702 A * 4/1962 St Cyr A47G 23/0216
215/395
- 3,090,478 A * 5/1963 Stanley B65B 43/54
141/177
- 3,266,533 A * 8/1966 McHale B65D 71/502
141/234
- D228,721 S * 10/1973 Todd 215/393
- 3,847,324 A * 11/1974 Uchanski A47G 19/03
206/813

- D261,105 S * 10/1981 Schwartz D9/504
- D269,764 S * 7/1983 Fortuna D9/428
- D274,903 S * 7/1984 Eckmann D13/107
- 4,540,611 A * 9/1985 Henderson B65D 23/08
150/901
- D281,764 S * 12/1985 Legrottaglie D9/504
- 4,877,148 A * 10/1989 Larson B65D 77/283
215/388
- 5,054,639 A * 10/1991 Ahn B65D 77/283
220/706
- D409,563 S * 5/1999 Haase D13/107
- D411,166 S * 6/1999 Uemura D13/107
- D422,556 S * 4/2000 Okura D13/107
- D439,116 S * 3/2001 White D7/619.1
- D477,823 S * 7/2003 Lavello, Sr. D14/149
- D508,458 S * 8/2005 Solland D13/108
- D516,025 S * 2/2006 Quinn D13/108
- D521,983 S * 5/2006 Kuo D14/216

(Continued)

Primary Examiner — Paula Greene

(74) *Attorney, Agent, or Firm* — Muncy, Geissler, Olds & Lowe, P.C.

(57) **CLAIM**

The ornamental design for a speaker with charging base, as shown and described.

DESCRIPTION

FIG. 1 is a front perspective view of a speaker with charging base according to the present invention.

FIG. 2 is a left side view of the speaker with charging base of FIG. 1.

FIG. 3 is a right side view of the speaker with charging base of FIG. 1.

FIG. 4 is a front view of the speaker with charging base of FIG. 1.

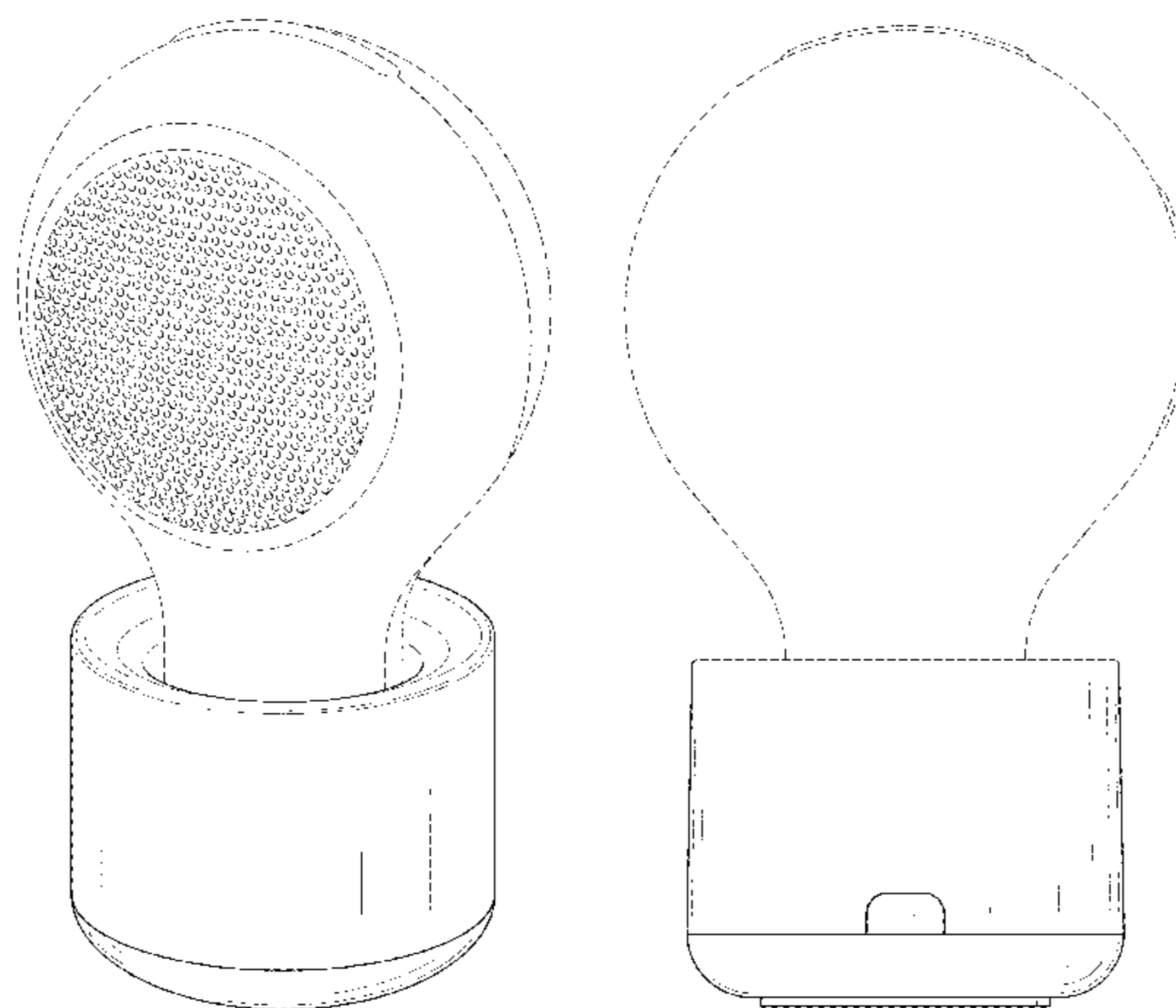
FIG. 5 is a rear view of the speaker with charging base of FIG. 1.

FIG. 6 is a top view of the speaker with charging base of FIG. 1; and,

FIG. 7 is a bottom view of the speaker with charging base of FIG. 1.

The dashed lines illustrate environment that does not form a part of the present invention, and no claim is made to the material illustrated with dashed lines.

1 Claim, 7 Drawing Sheets



US D768,604 S

Page 2

(56)

References Cited

U.S. PATENT DOCUMENTS

D524,730 S * 7/2006 Vu D13/108
D532,005 S * 11/2006 Leith D14/253
D553,122 S * 10/2007 Solland D14/217
D558,193 S * 12/2007 Ju D14/253
7,306,550 B2 * 12/2007 Lin A63B 26/00
482/140

D562,805 S * 2/2008 Tokuno D14/216
D581,905 S * 12/2008 Solland D14/217
D687,809 S * 8/2013 Bergmann D14/209.1
D692,413 S * 10/2013 Holzer D14/215
D703,492 S * 4/2014 Schmidt D7/608
D727,877 S * 4/2015 Seoc D14/209.1

* cited by examiner

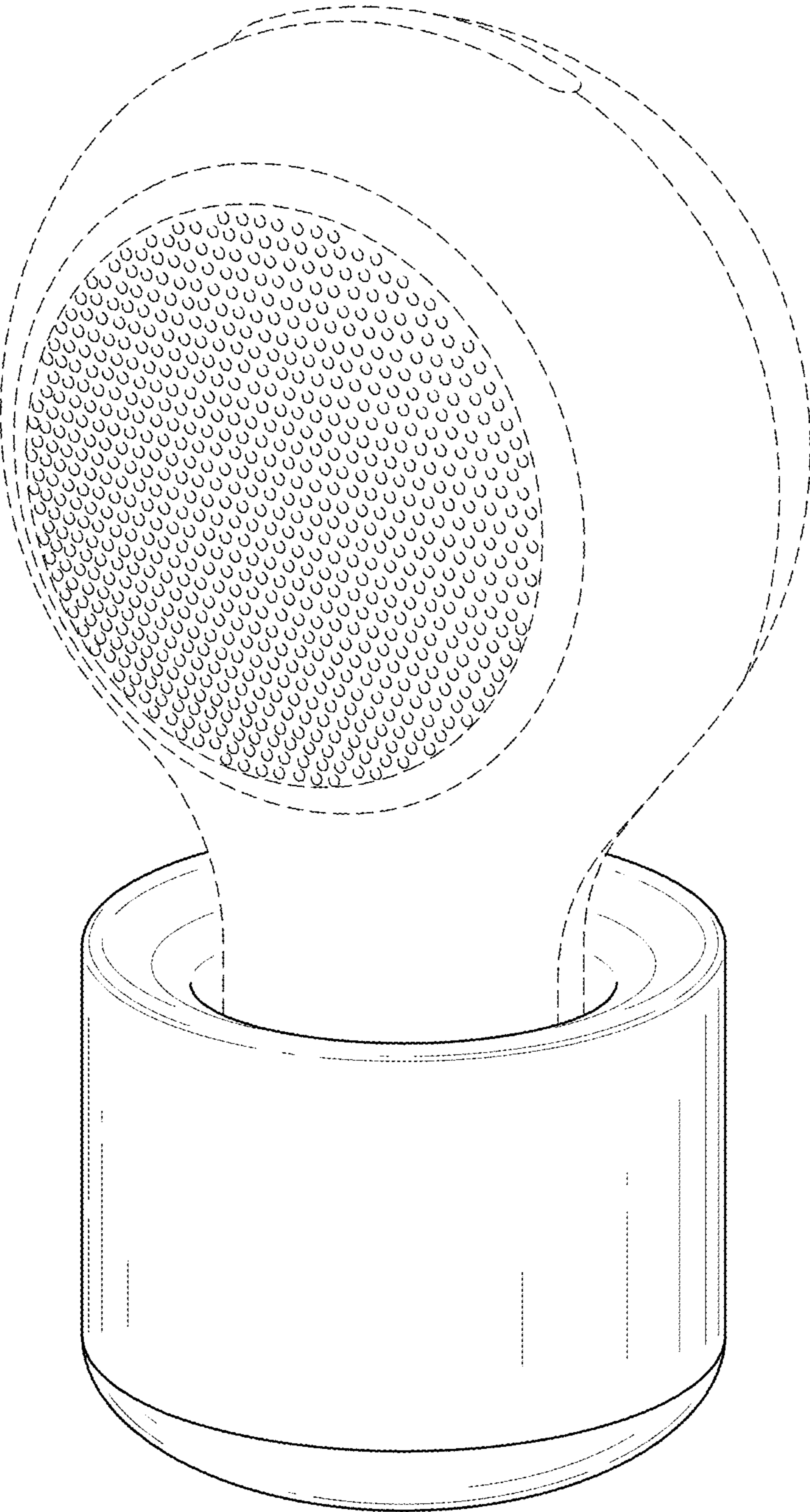


FIG.1

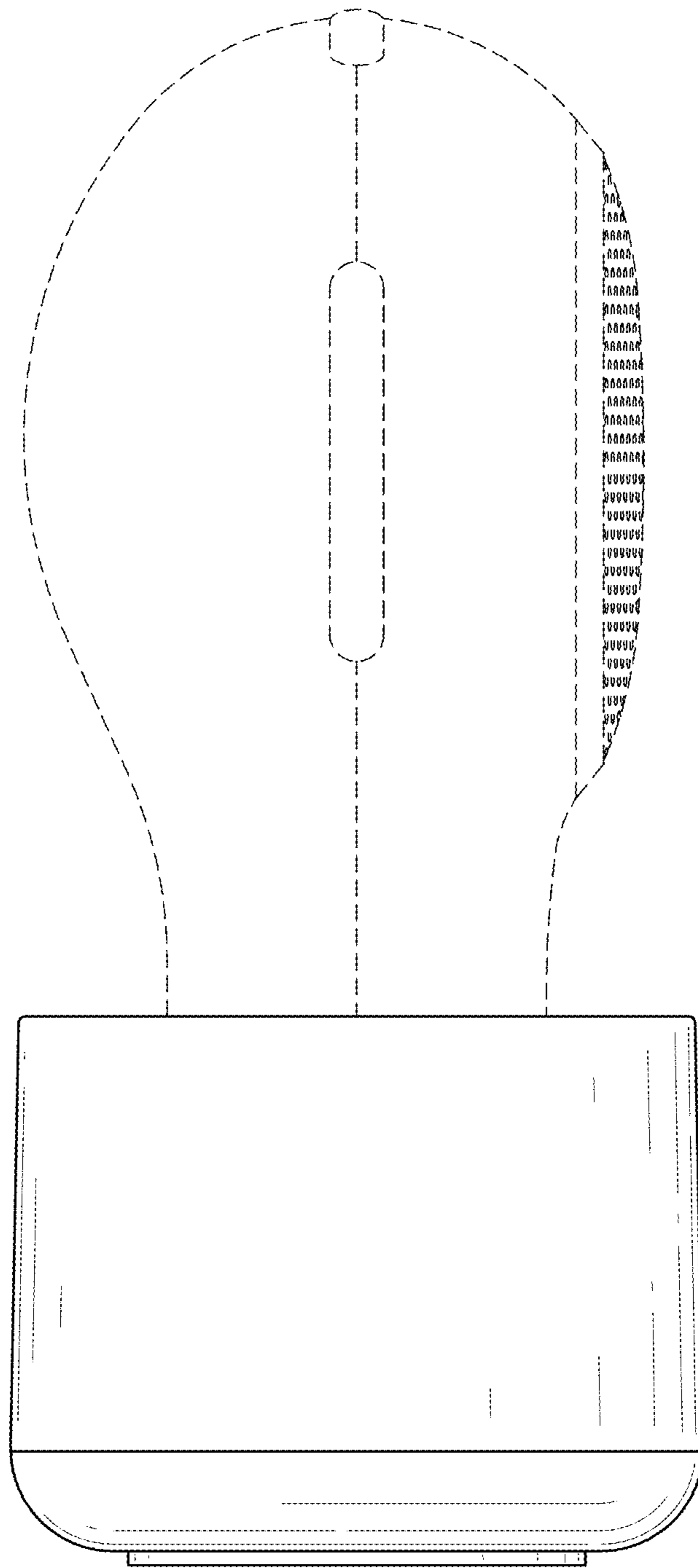


FIG.2

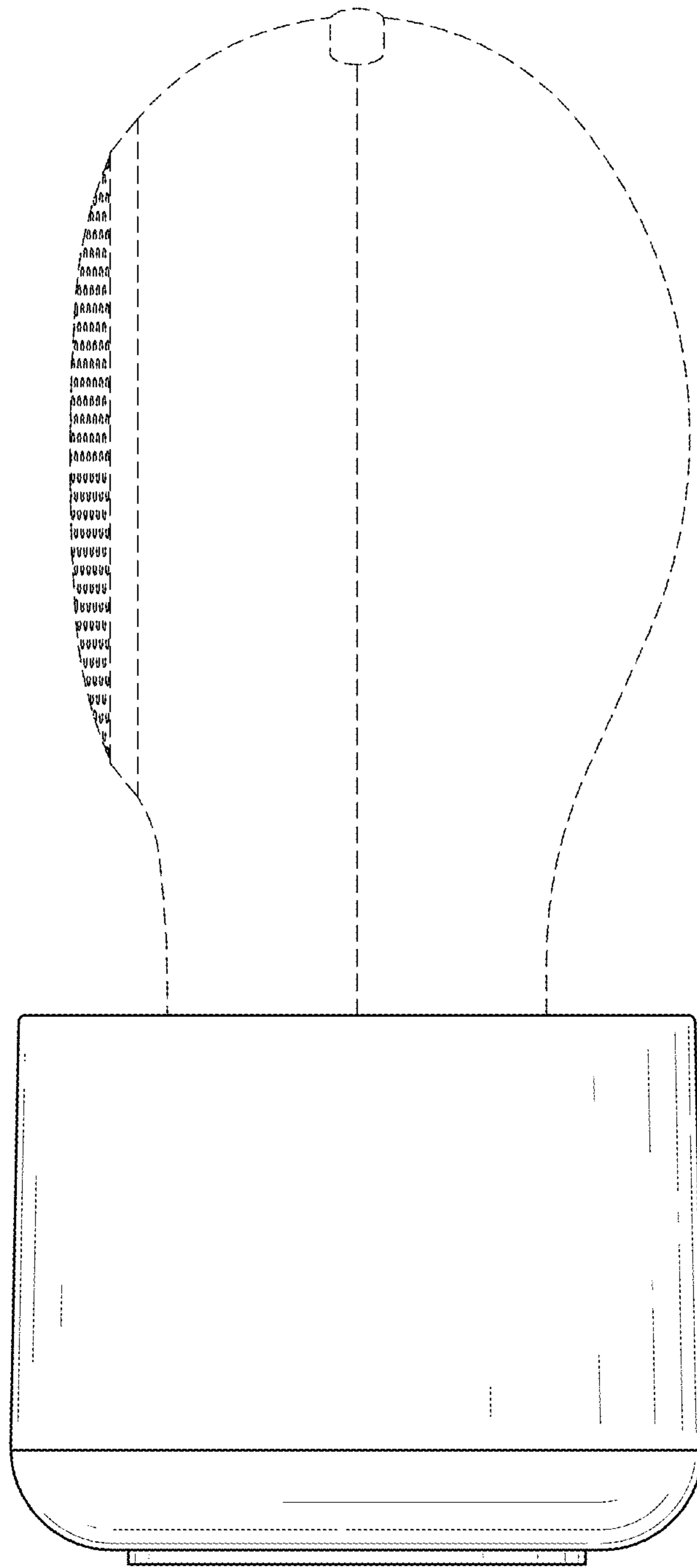


FIG. 3

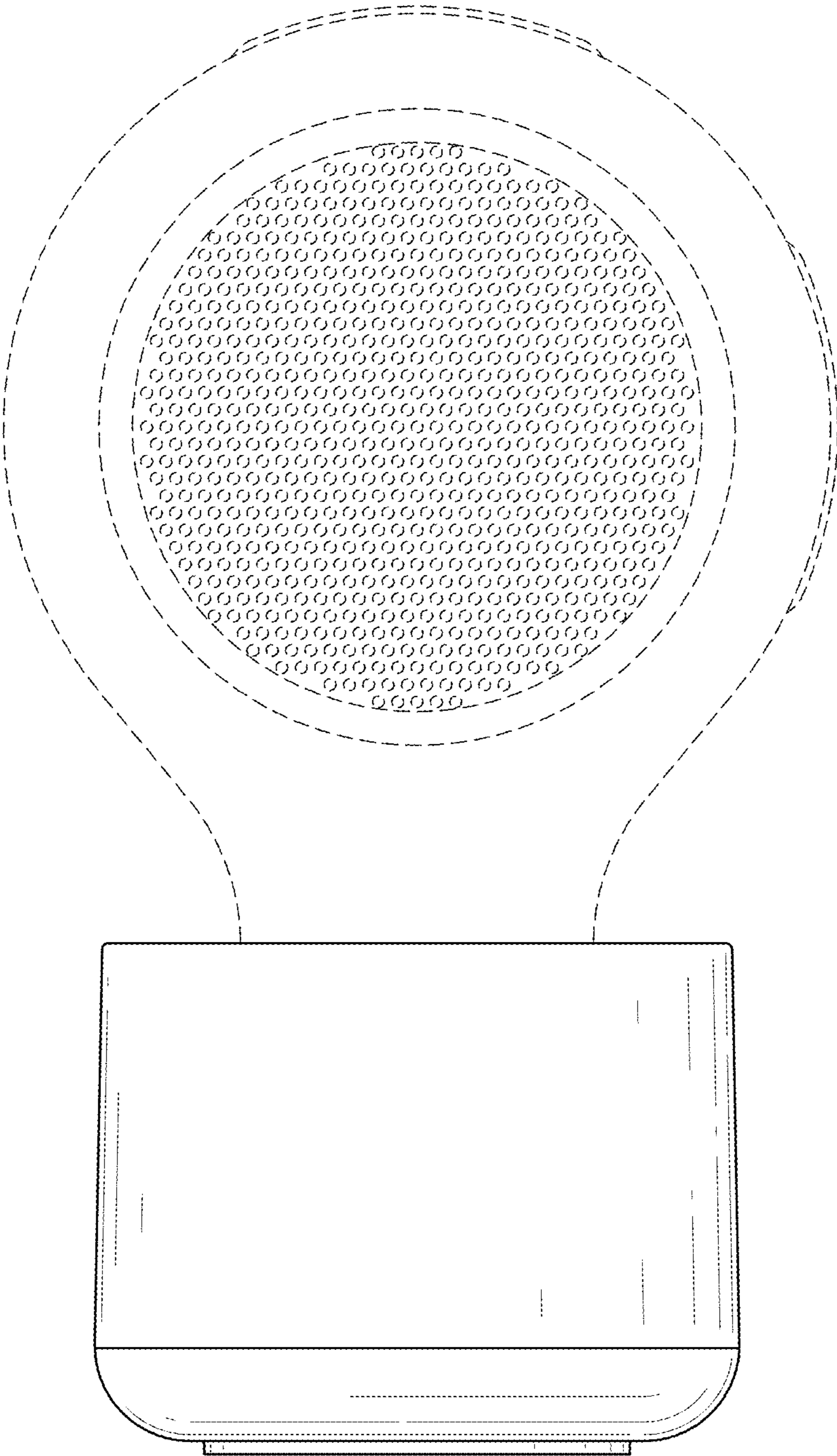


FIG.4

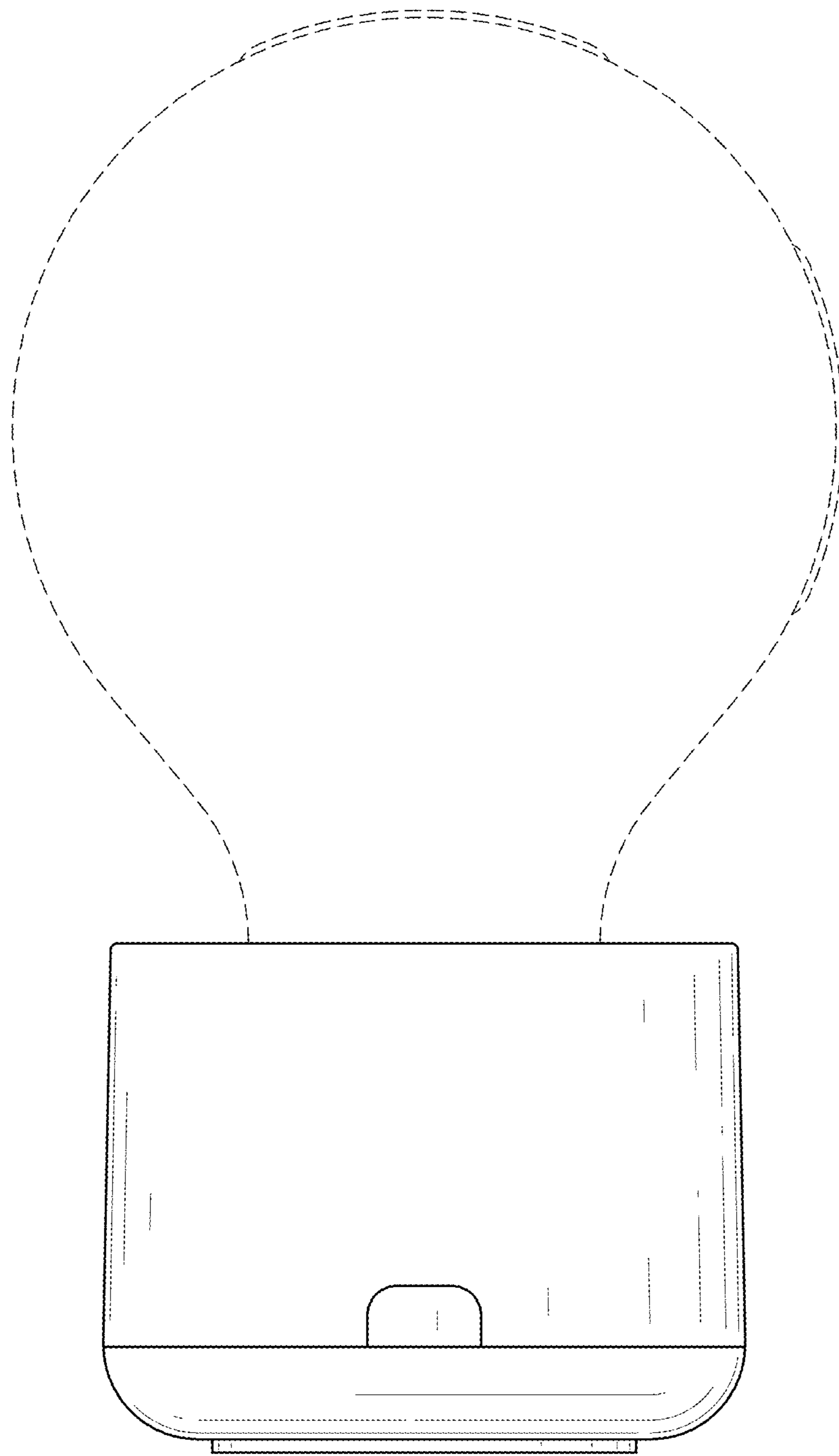


FIG.5

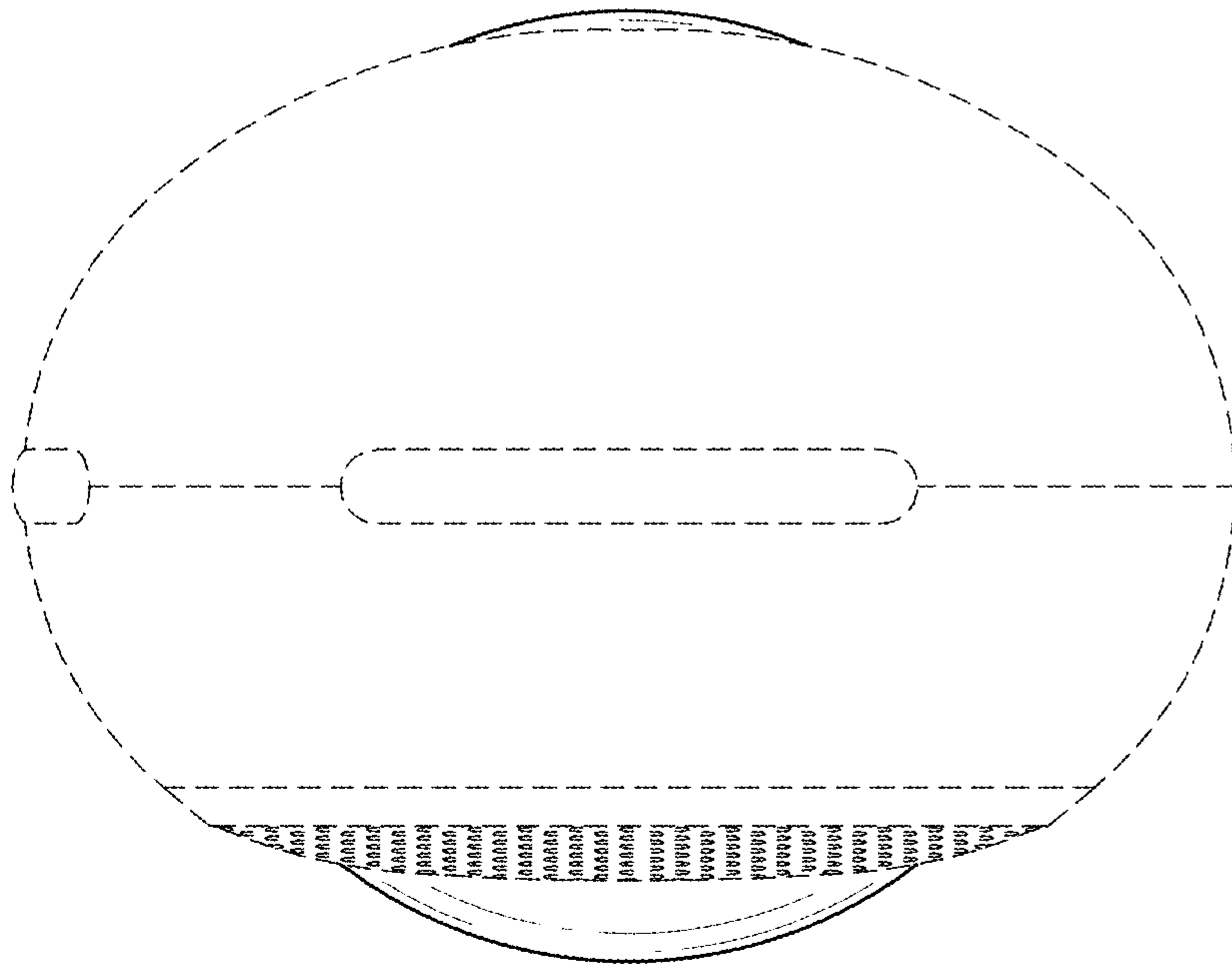


FIG. 6

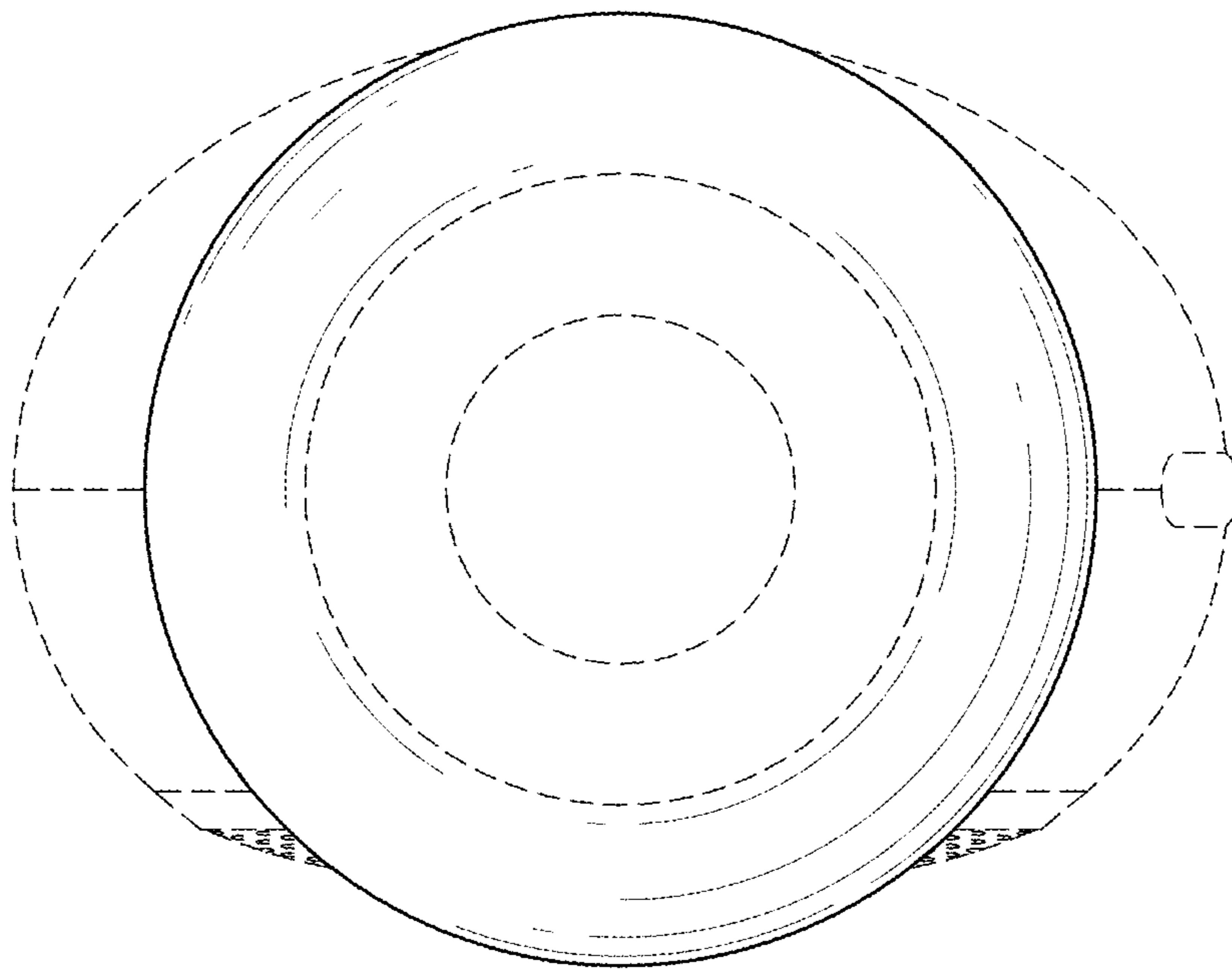


FIG.7