



US00D768597S

(12) **United States Design Patent** (10) **Patent No.:** **US D768,597 S**
Andre (45) **Date of Patent:** **** Oct. 11, 2016**

(54) **BLUETOOTH SPEAKER**
(71) Applicant: **Intermed Asia Limited**, Hung Hom, Kowloon (HK)
(72) Inventor: **Olivier Andre**, Kowloon (HK)
(73) Assignee: **Intermed Asia Limited**, Hong Kong (HK)

D421,607 S * 3/2000 Hakoda D14/171
D459,340 S * 6/2002 Leyde D14/197
D479,832 S * 9/2003 Homewood D14/168
6,637,910 B1 * 10/2003 Mehler F21L 4/00
181/141
D566,683 S * 4/2008 Sugiyama D14/506
D603,848 S * 11/2009 Lassally D14/225
D675,189 S * 1/2013 Chen D14/210
D689,469 S * 9/2013 Chen D14/214
2007/0036386 A1 * 2/2007 Amae H04M 1/05
381/388

(**) Term: **14 Years**

* cited by examiner

(21) Appl. No.: **29/515,693**

Primary Examiner — Ian Simmons

(22) Filed: **Jan. 26, 2015**

Assistant Examiner — Janice Lim

(30) **Foreign Application Priority Data**

(74) *Attorney, Agent, or Firm* — Cohen & Grigsby, P.C.

Aug. 21, 2014 (HK) 1401566

(51) **LOC (10) Cl.** **14-01**

(52) **U.S. Cl.**
USPC **D14/204**

(58) **Field of Classification Search**
USPC D14/172, 194, 204, 207, 209.1,
D14/210–215, 221, 222, 239; 181/148, 152,
181/153, 157, 192; 381/300–303, 332, 333,
381/336, 345, 361, 386–388
CPC H04M 1/03; H04M 1/035; H04R 1/02;
H04R 1/06; H04R 1/021; H04R 1/025;
H04R 1/026; H04R 1/105; H04R 1/323;
H04R 1/345; H04R 1/403; H04R 1/2803;
H04R 1/2834; H04R 3/12; H04R 5/02;
H04R 2203/12

See application file for complete search history.

(56) **References Cited**

U.S. PATENT DOCUMENTS

D360,208 S * 7/1995 Richards D14/204
5,894,113 A * 4/1999 Wingate F21V 33/0052
181/129

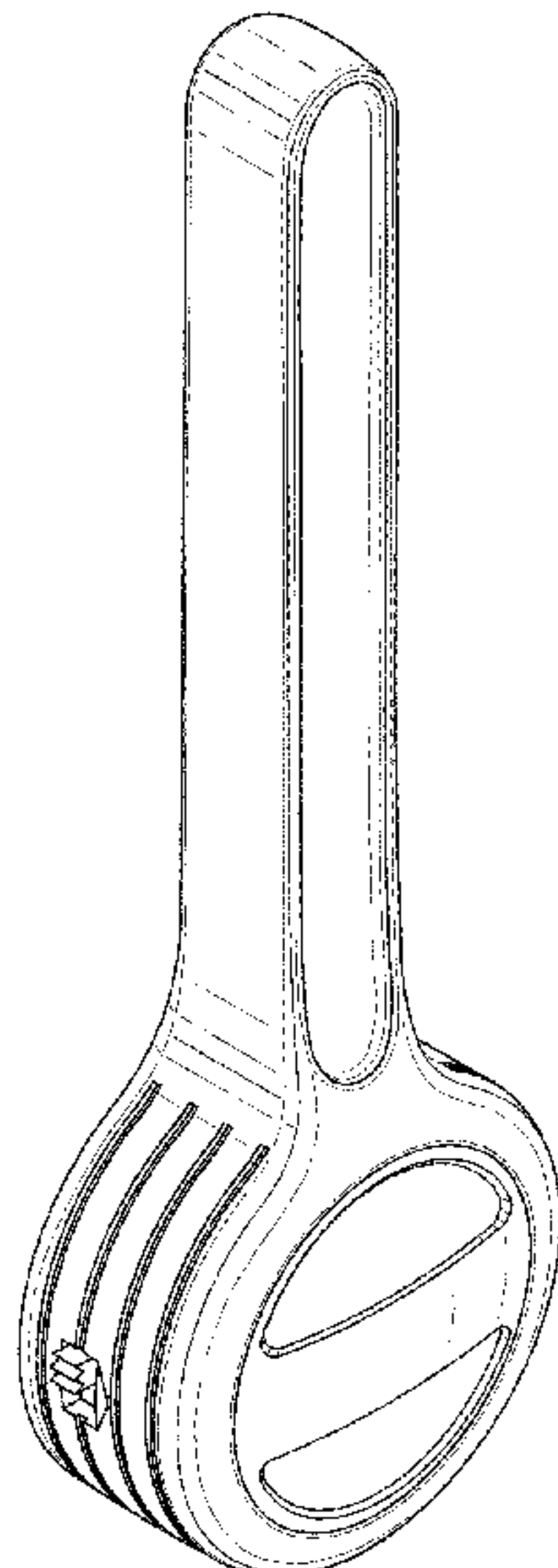
(57) **CLAIM**

The ornamental design for a bluetooth speaker, as shown and described.

DESCRIPTION

FIG. 1 is a front perspective view of a bluetooth speaker, showing my new design;
FIG. 2 is another front perspective view thereof;
FIG. 3 is a front elevational view thereof;
FIG. 4 is a rear elevational view thereof;
FIG. 5 is a right side view thereof;
FIG. 6 is a left side view thereof;
FIG. 7 is a top plan view thereof; and,
FIG. 8 is a bottom plan view thereof.

1 Claim, 7 Drawing Sheets



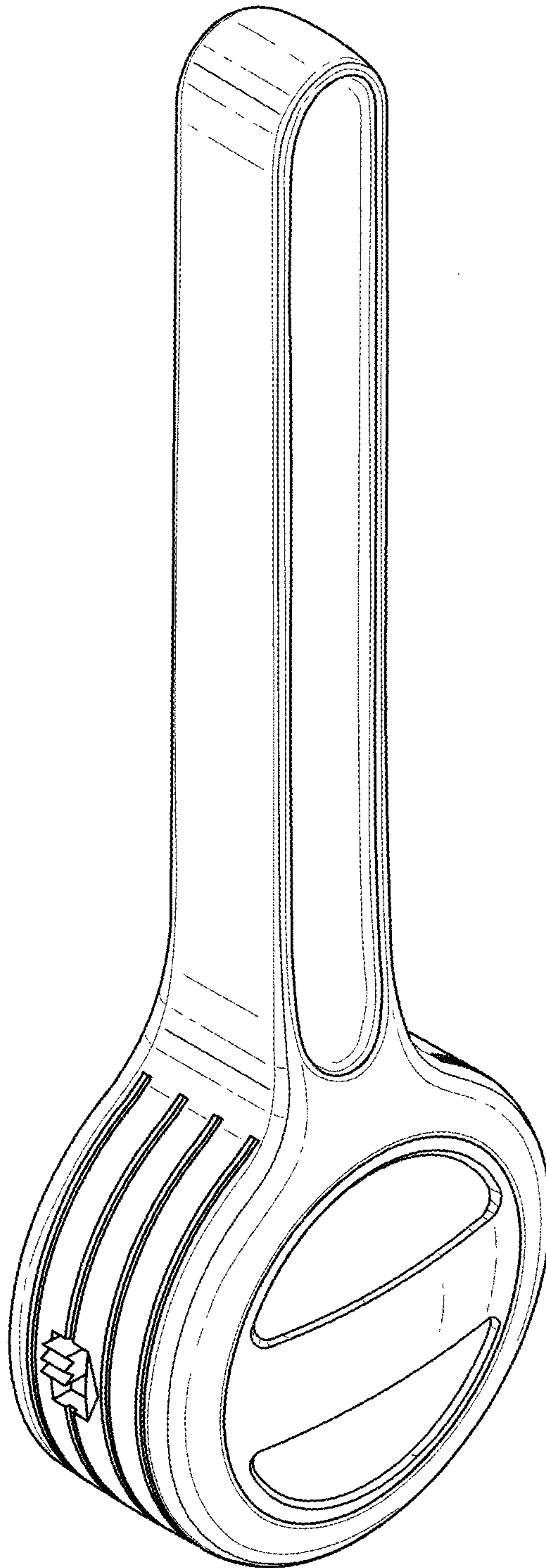


FIG. 1

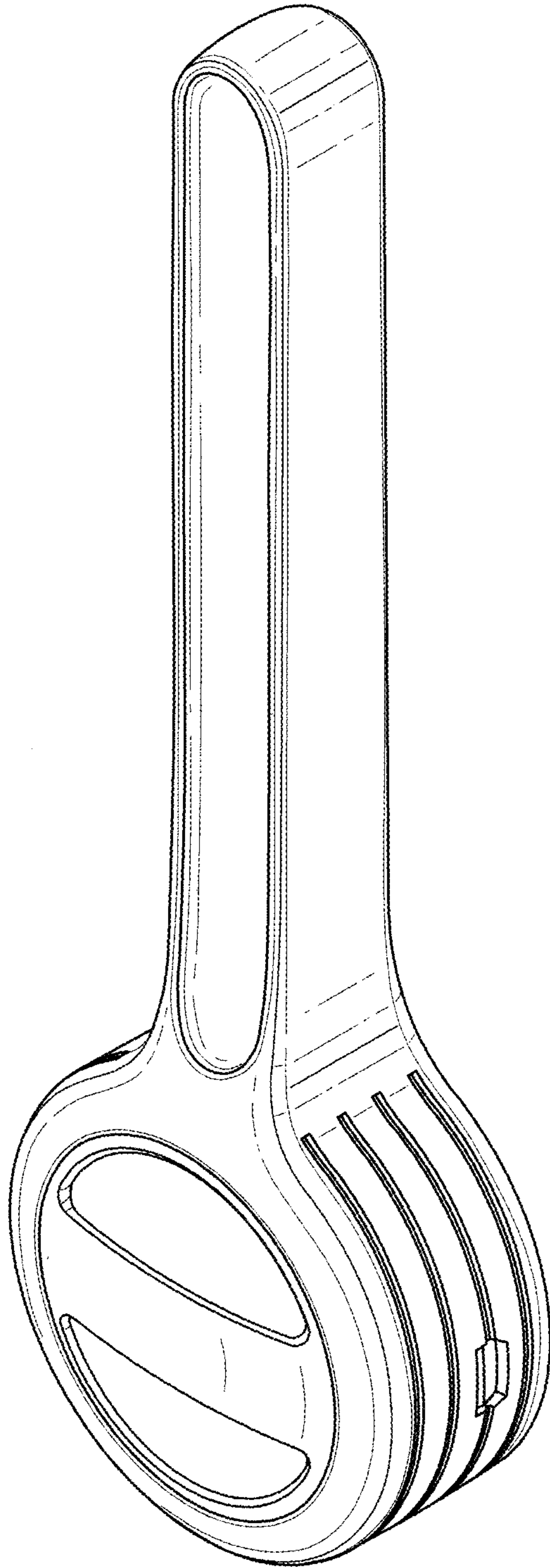


FIG. 2

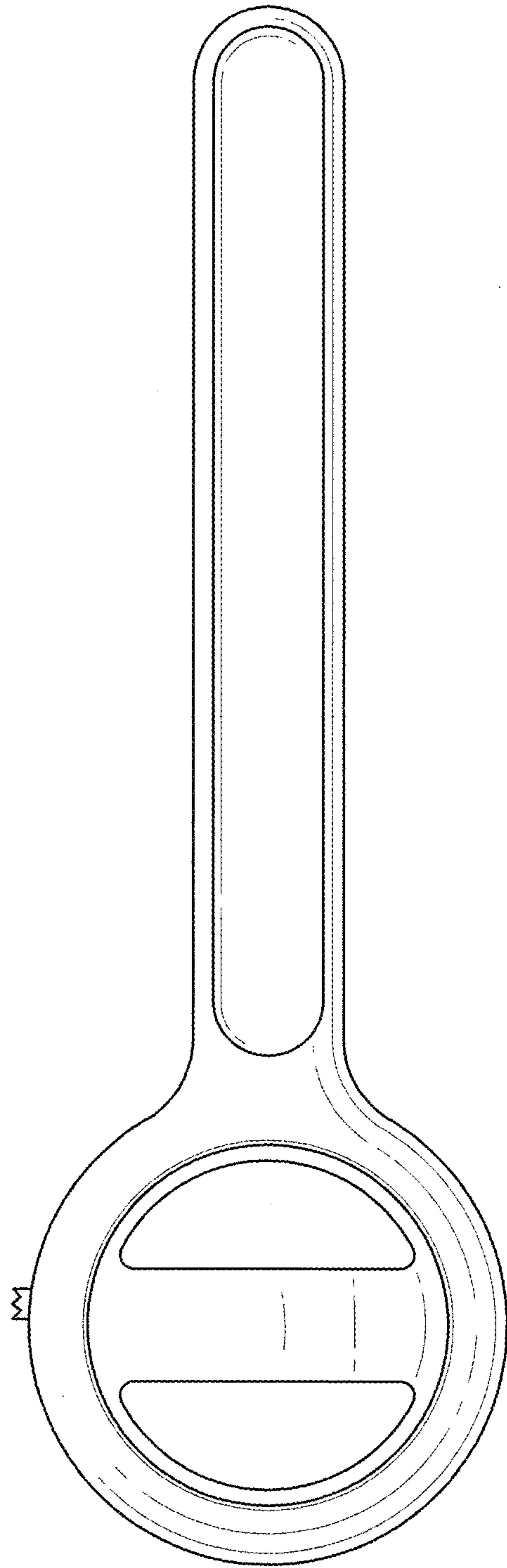


FIG. 3

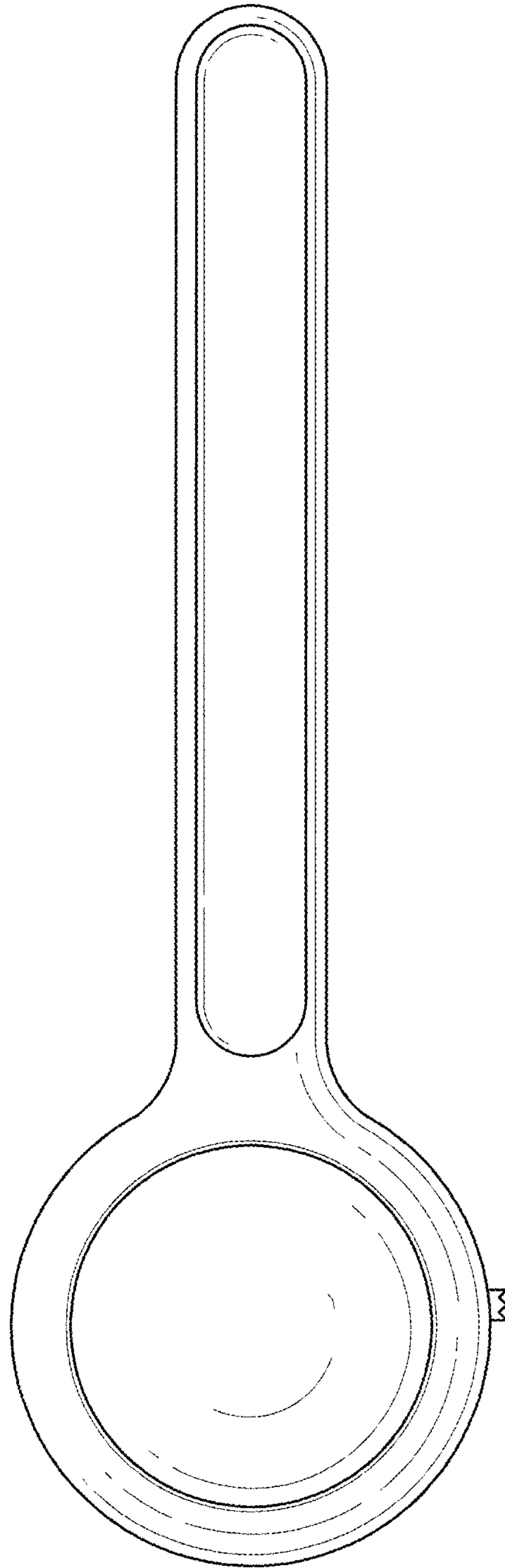


FIG. 4

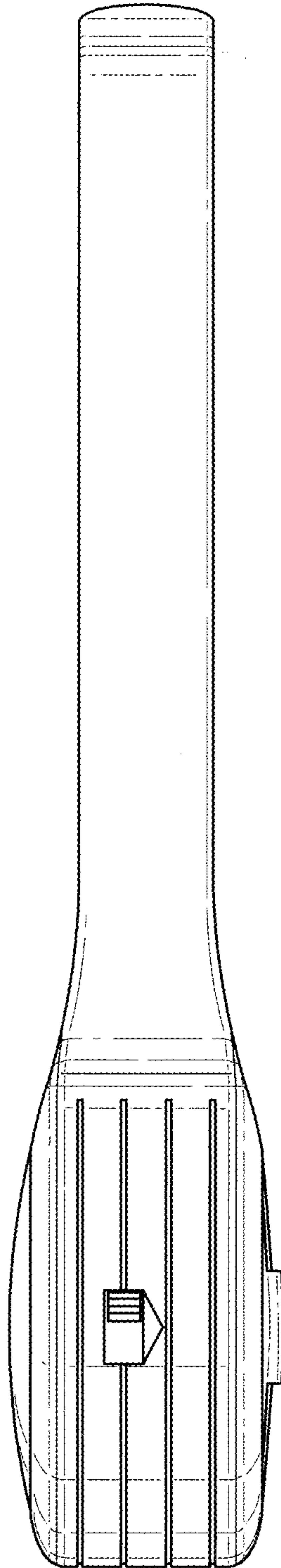


FIG. 5

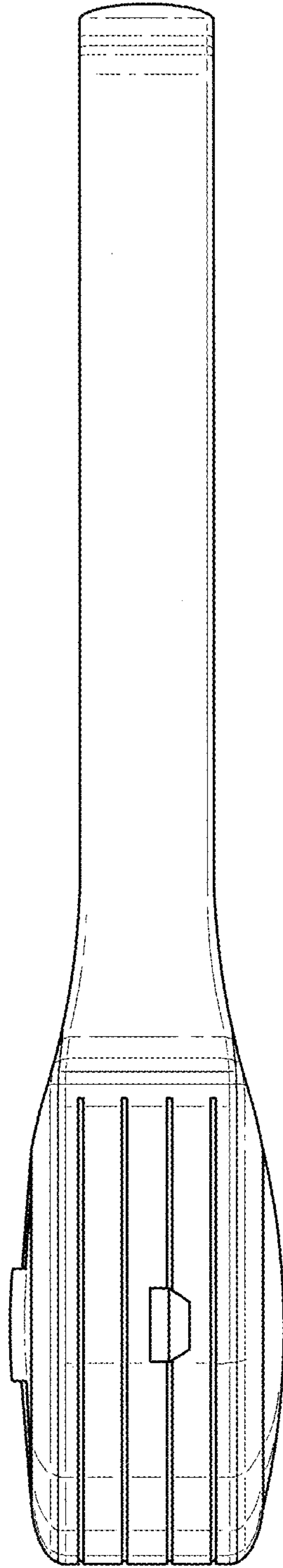


FIG. 6

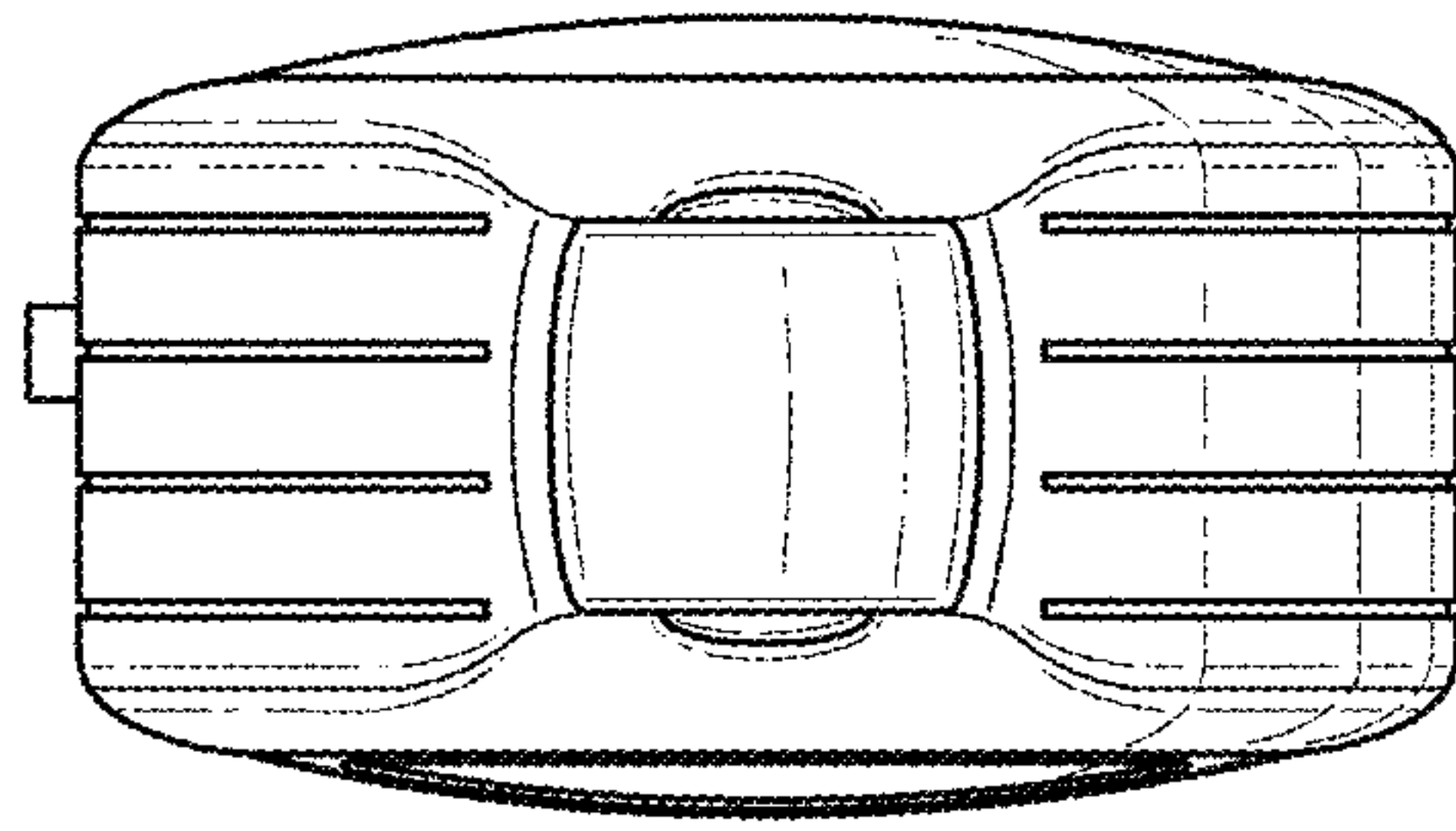


FIG. 7

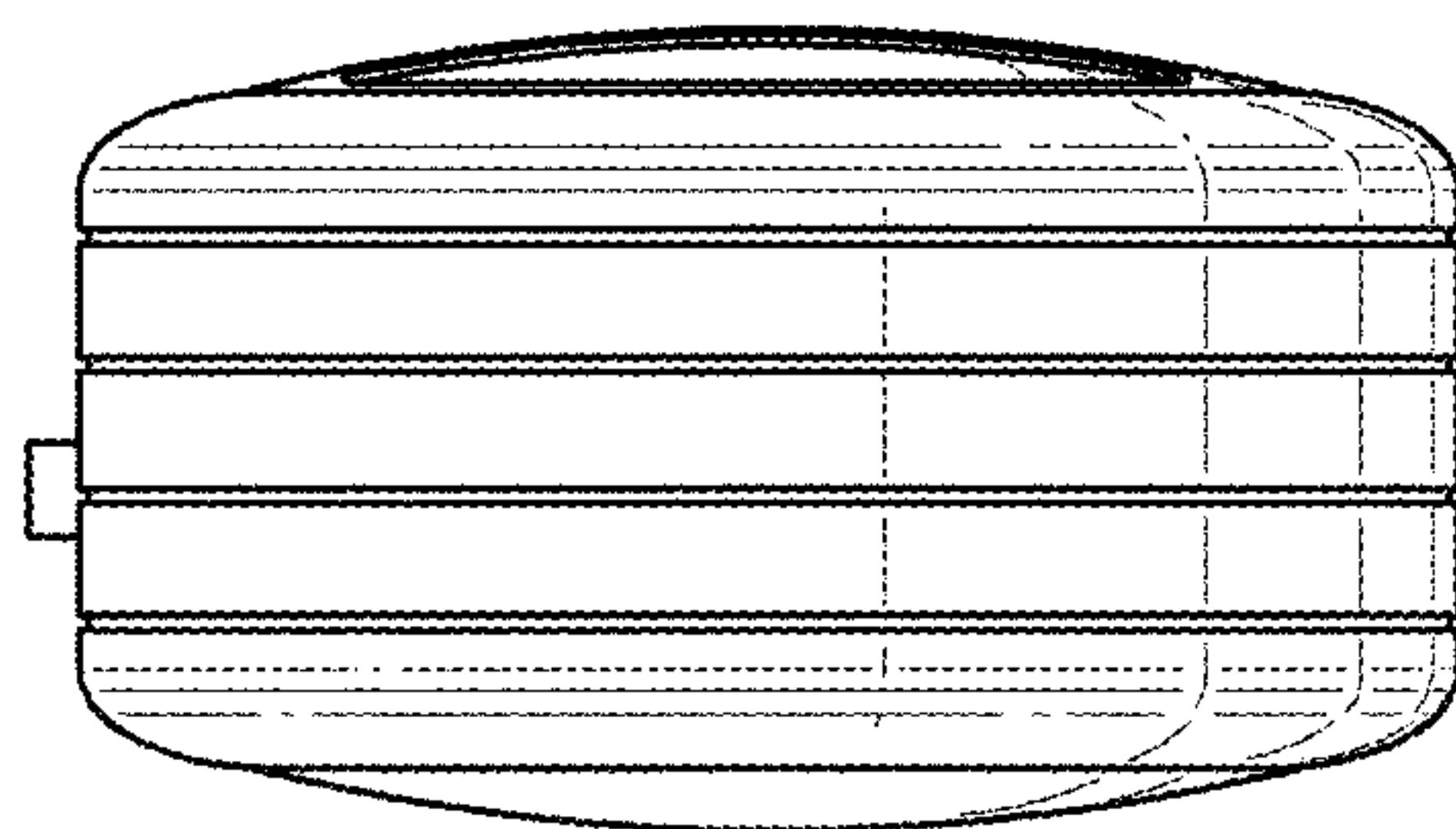


FIG. 8