



US00D768595S

(12) **United States Design Patent**
Wise et al.

(10) **Patent No.:** **US D768,595 S**
(45) **Date of Patent:** **** Oct. 11, 2016**

(54) **HEADPHONE AMPLIFIER**

- (71) Applicant: **GIBSON BRANDS, INC.**, Nashville, TN (US)
- (72) Inventors: **Bernard Wise**, Agoura, CA (US); **Martins Saulespurens**, Thousand Oaks, CA (US); **Martin Wolf**, Valencia, CA (US)
- (73) Assignee: **Gibson Brands, Inc.**, Nashville, TN (US)

(**) Term: **14 Years**

(21) Appl. No.: **29/515,451**

(22) Filed: **Jan. 22, 2015**

(51) **LOC (10) Cl.** **14-03**

(52) **U.S. Cl.**
USPC **D14/188; D14/223**

(58) **Field of Classification Search**
 USPC D14/162, 167-169, 175, 179, 188, D14/194-198, 217, 257, 265, 299, 496, 205, D14/221, 223; 330/1 R, 3, 4, 250; 381/86, 381/120; 455/344-351
 CPC B60R 11/02; B60R 11/0205; B60R 11/0217; G10K 9/22; G10K 15/04; H03F 1/26; H03F 1/3247; H03F 3/24; H03F 3/181; H03F 3/189; H03F 3/45197; H03F 2200/03; H03F 2200/324; H03F 2200/336; H03F 2200/543; H03F 2203/45488; H03G 3/02; H03G 3/20; H04R 1/02; H04R 1/028; H04R 3/00; H04R 3/12; H04R 2420/07; H04R 2499/13

See application file for complete search history.

(56) **References Cited**

U.S. PATENT DOCUMENTS

D306,168 S *	2/1990	Caputo	D14/204
D408,035 S *	4/1999	Denham	D14/212
6,152,257 A *	11/2000	Denham	H04R 1/345 181/144
D491,918 S *	6/2004	Solland	D14/207
D567,221 S *	4/2008	Liang	D14/207
D571,787 S *	6/2008	Hwa-jei	D14/207
D712,378 S *	9/2014	Mackiewicz	D14/216
D759,122 S *	6/2016	Verdu	D14/168

* cited by examiner

Primary Examiner — Keli L Hill

(74) *Attorney, Agent, or Firm* — Bates & Bates, LLC

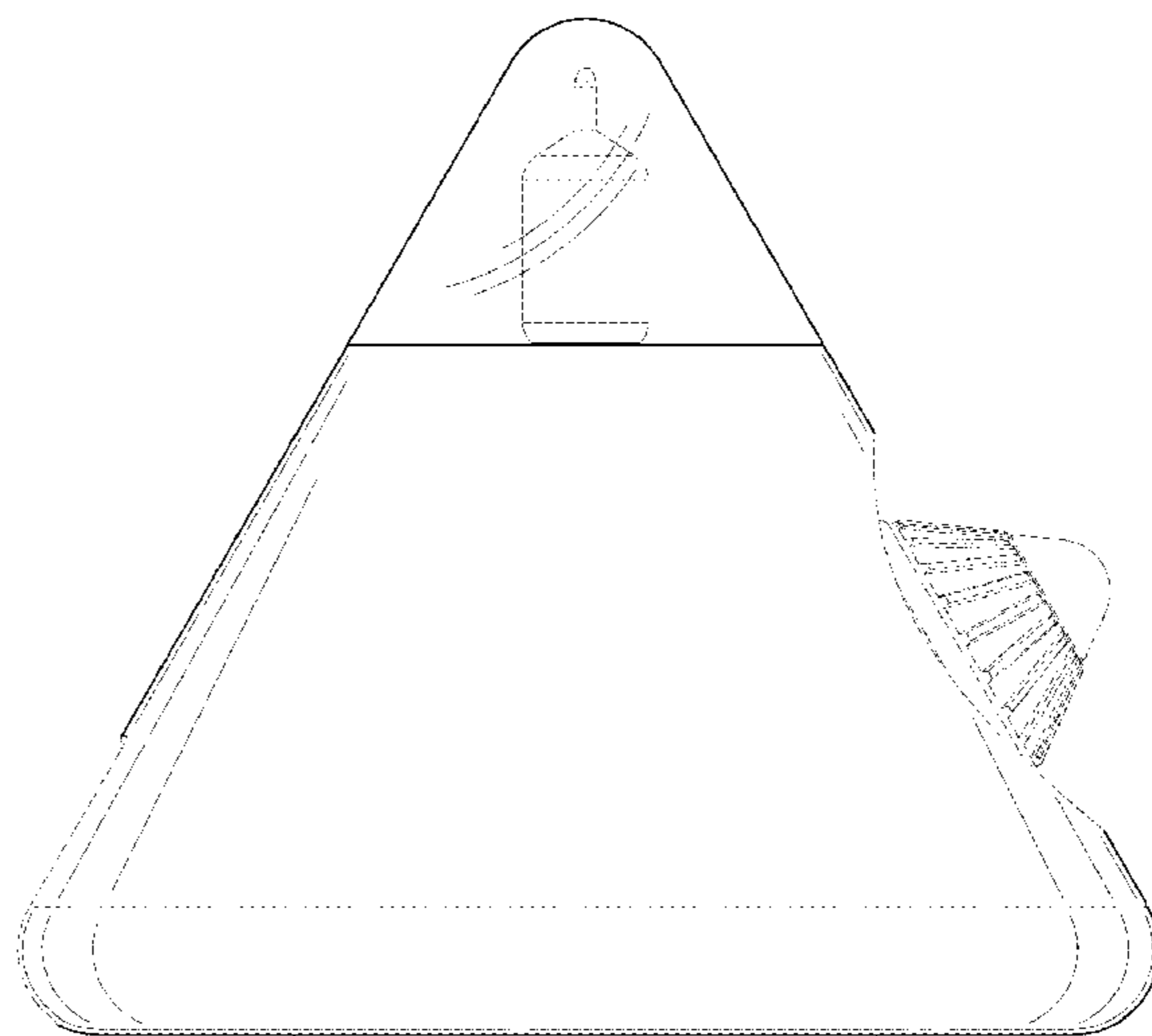
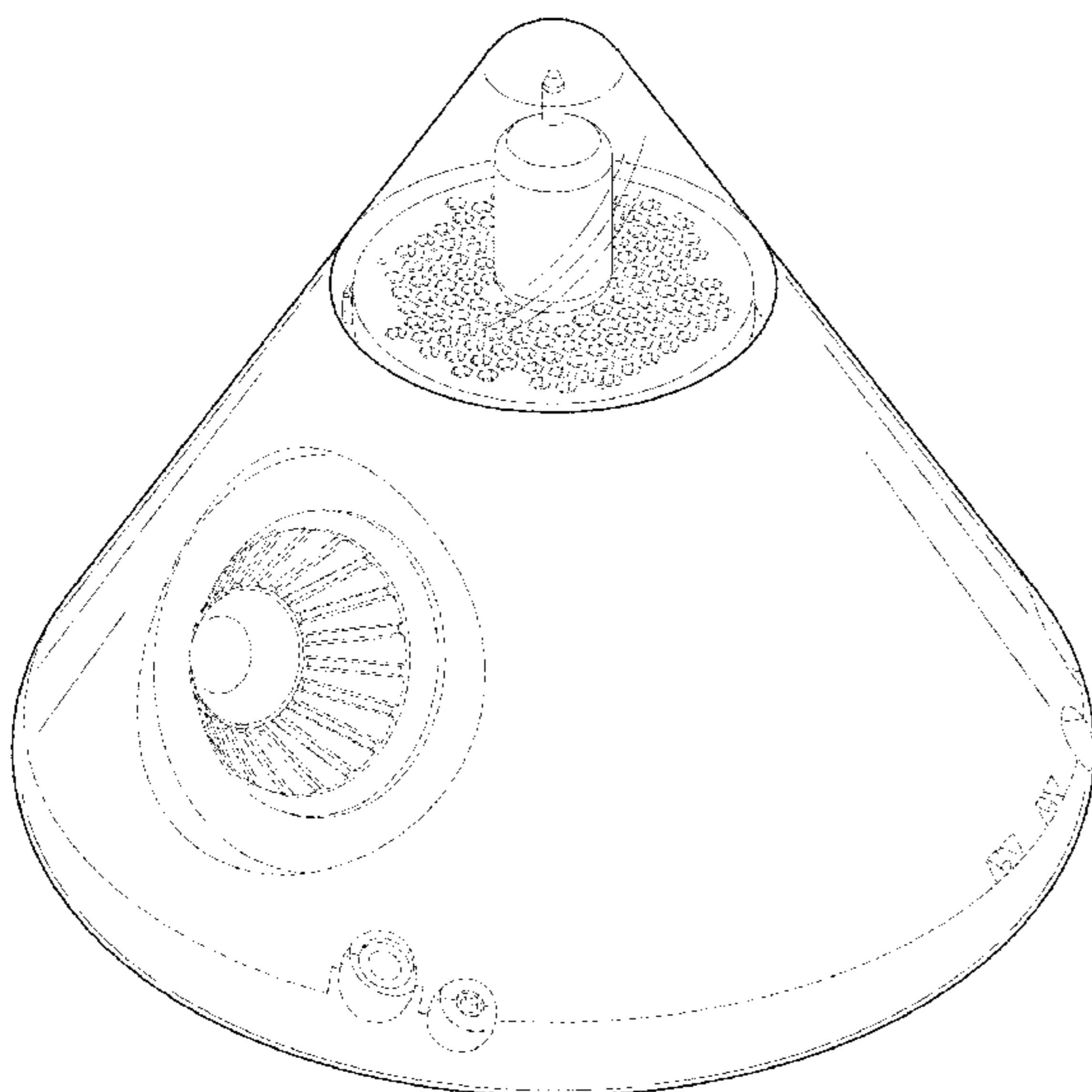
(57) **CLAIM**

What is claimed is the ornamental design for a headphone amplifier, as shown and described.

DESCRIPTION

FIG. 1 is a perspective view of a headphone amplifier; FIG. 2 is a front view of the headphone amplifier; FIG. 3 is a back view of the headphone amplifier; FIG. 4 left side view of the headphone amplifier; FIG. 5 is a right side view of the headphone amplifier; FIG. 6 is a top view of the headphone amplifier; and, FIG. 7 is a bottom view of the headphone amplifier. The broken lines shown are included for the purpose of illustrating portions of the headphone amplifier that form no part of the claim.

1 Claim, 7 Drawing Sheets



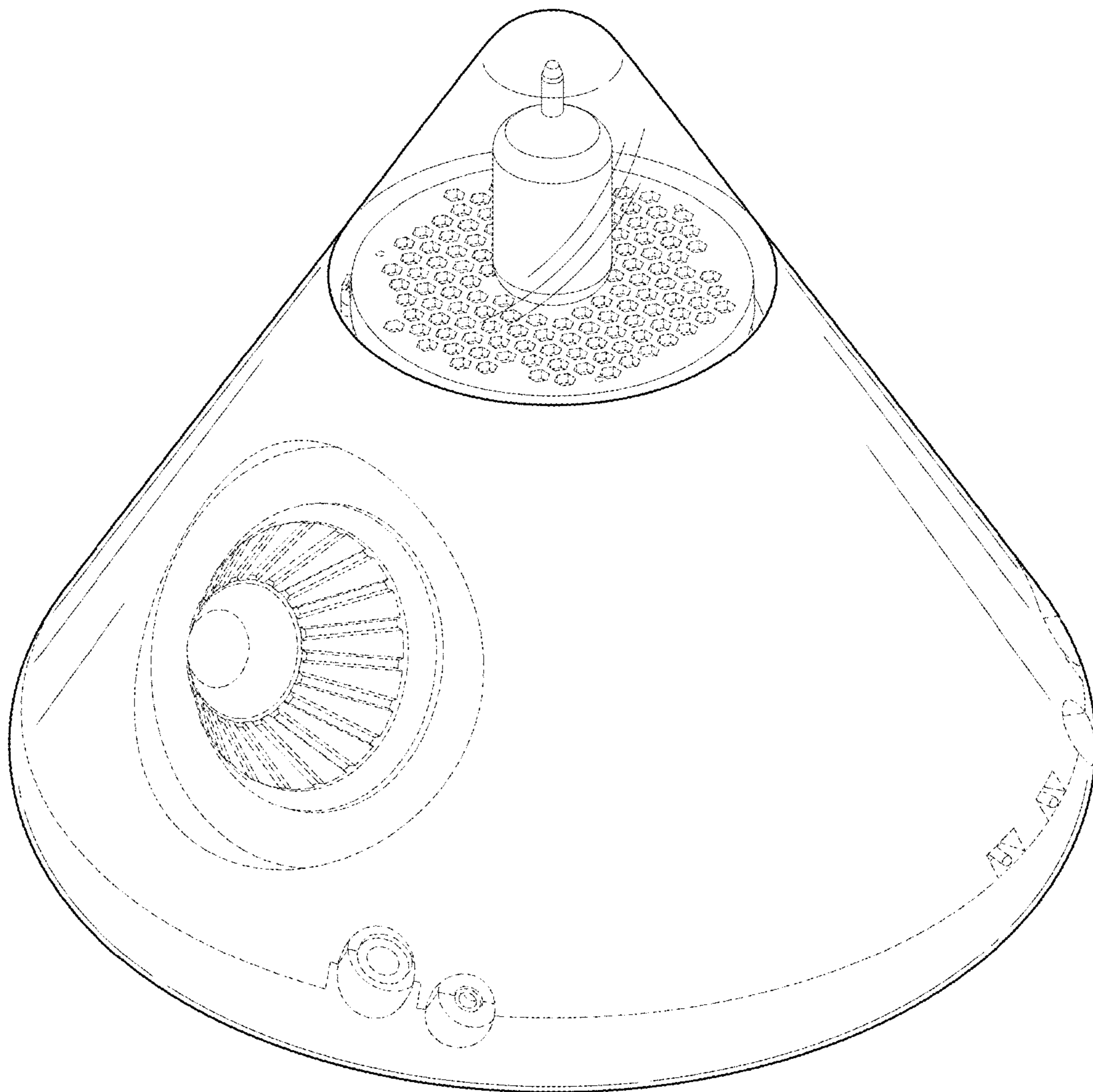


FIG. 1

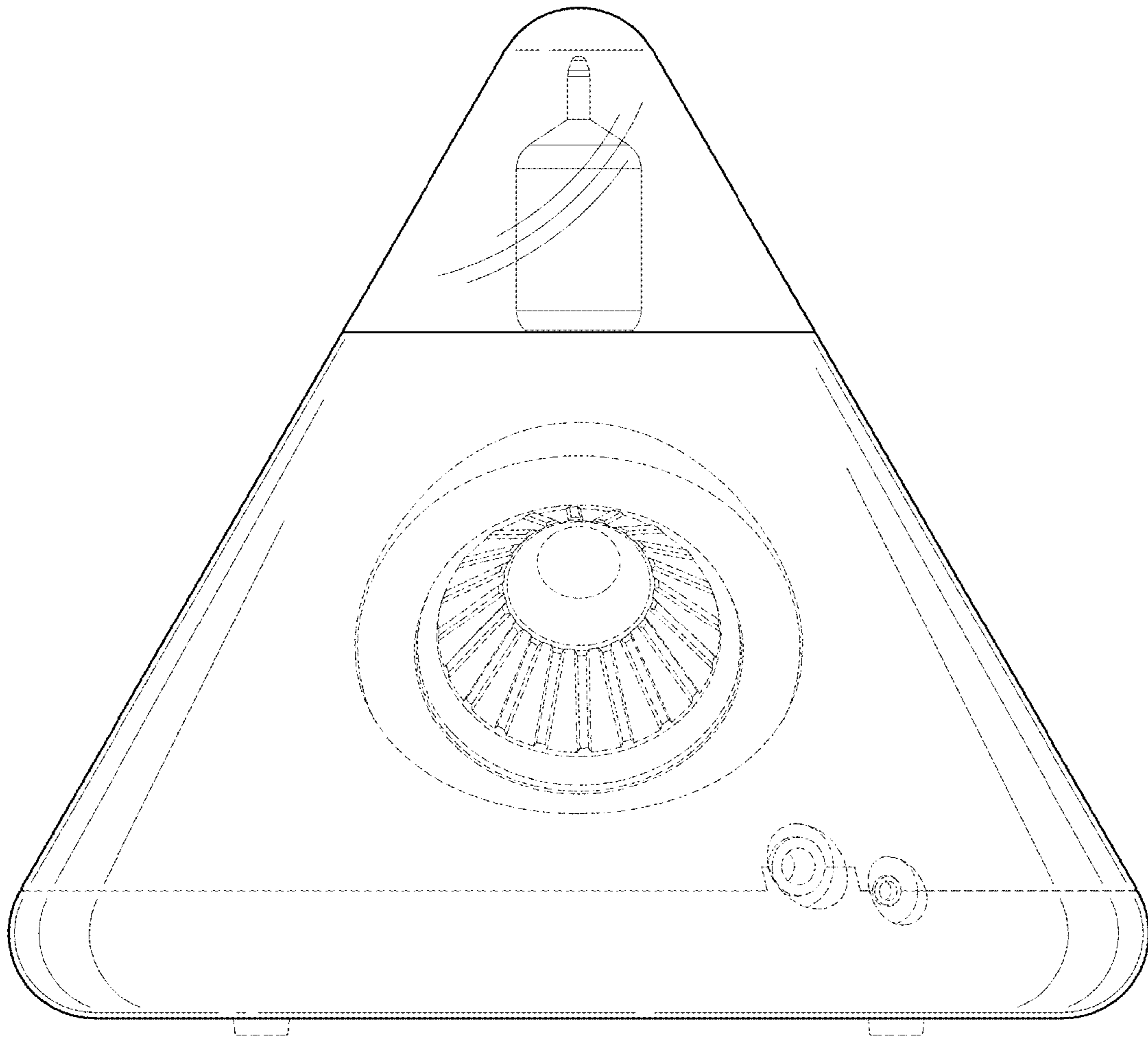


FIG. 2

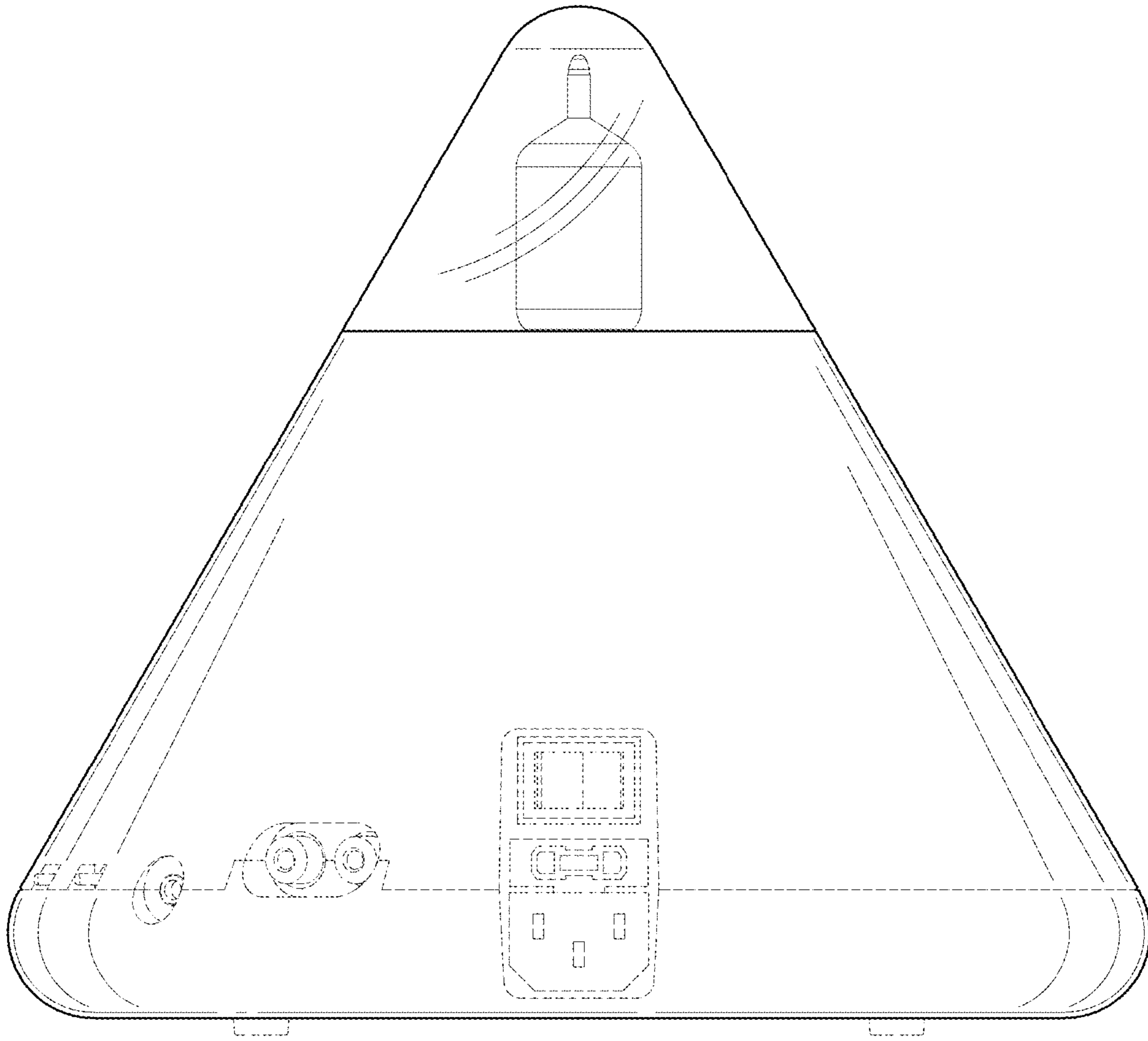


FIG. 3

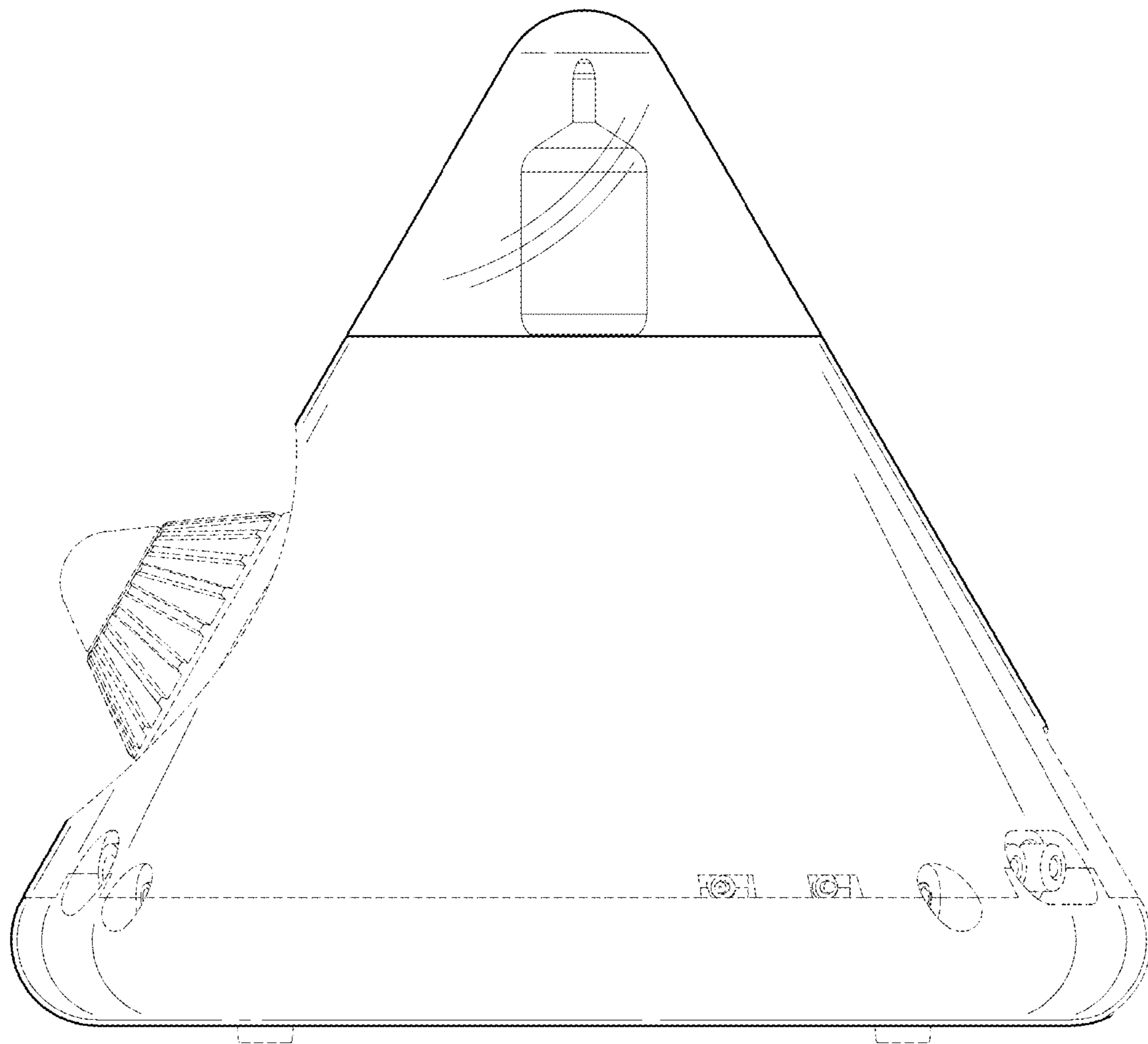


FIG. 4

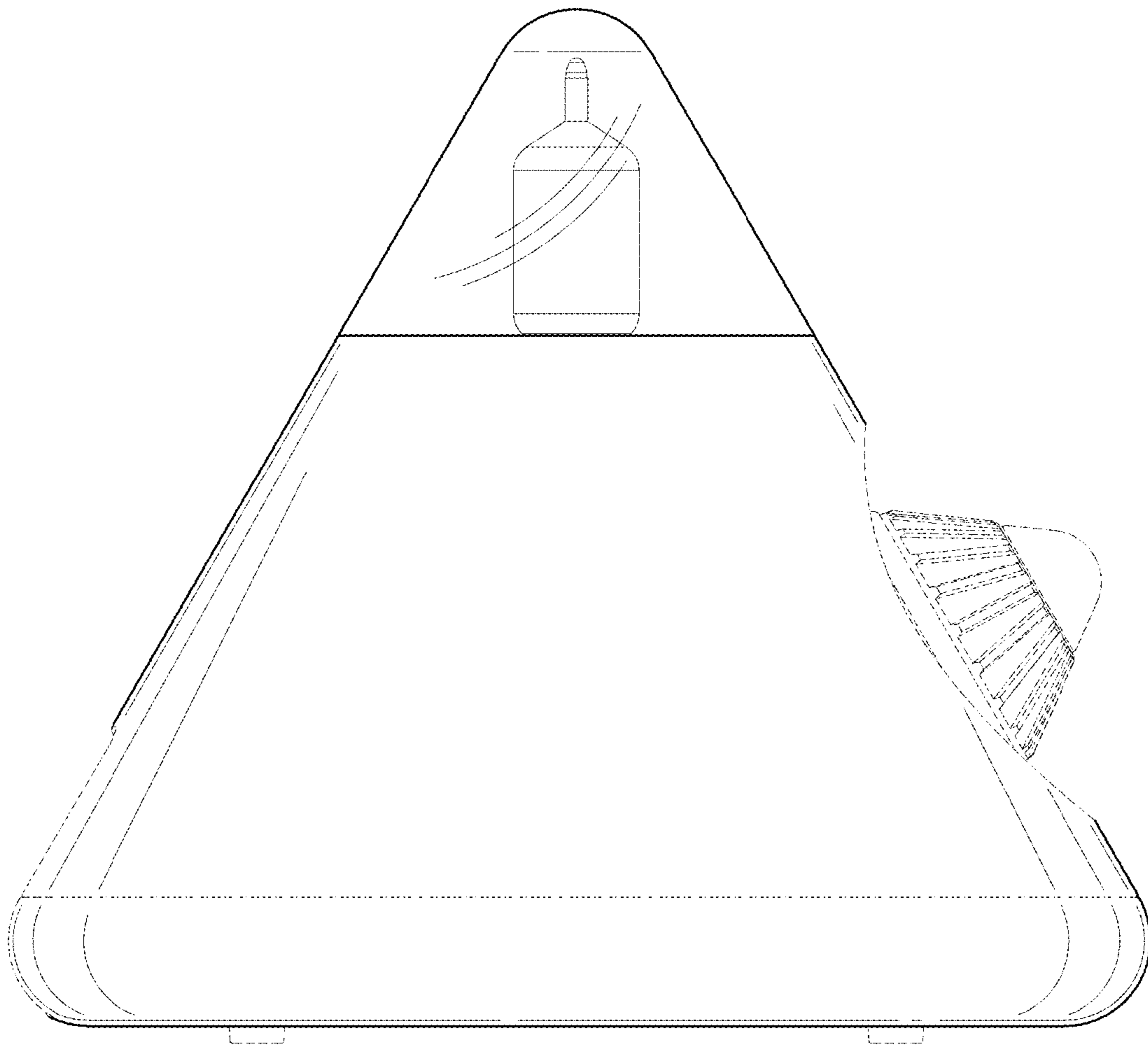


FIG. 5

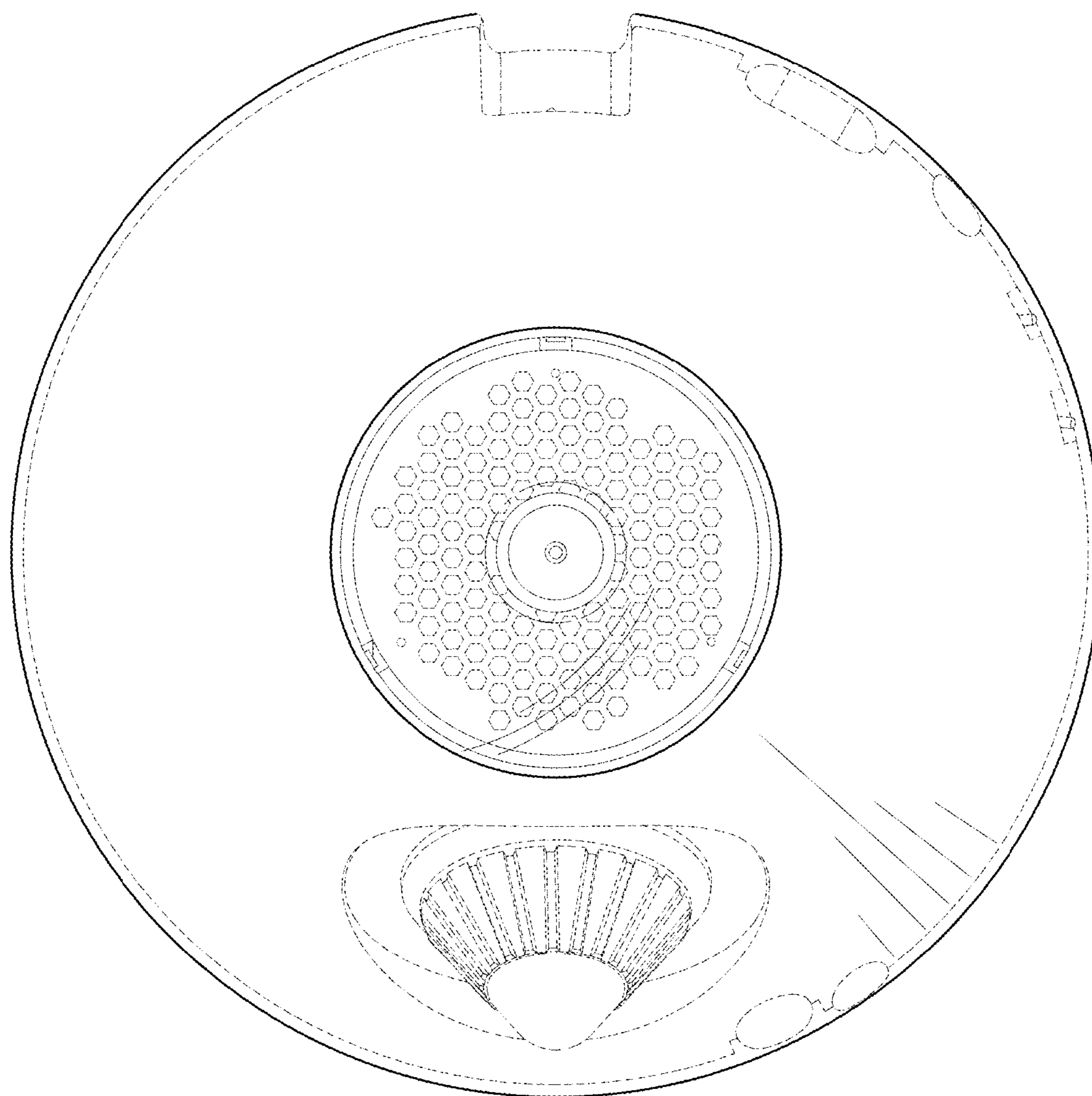


FIG. 6

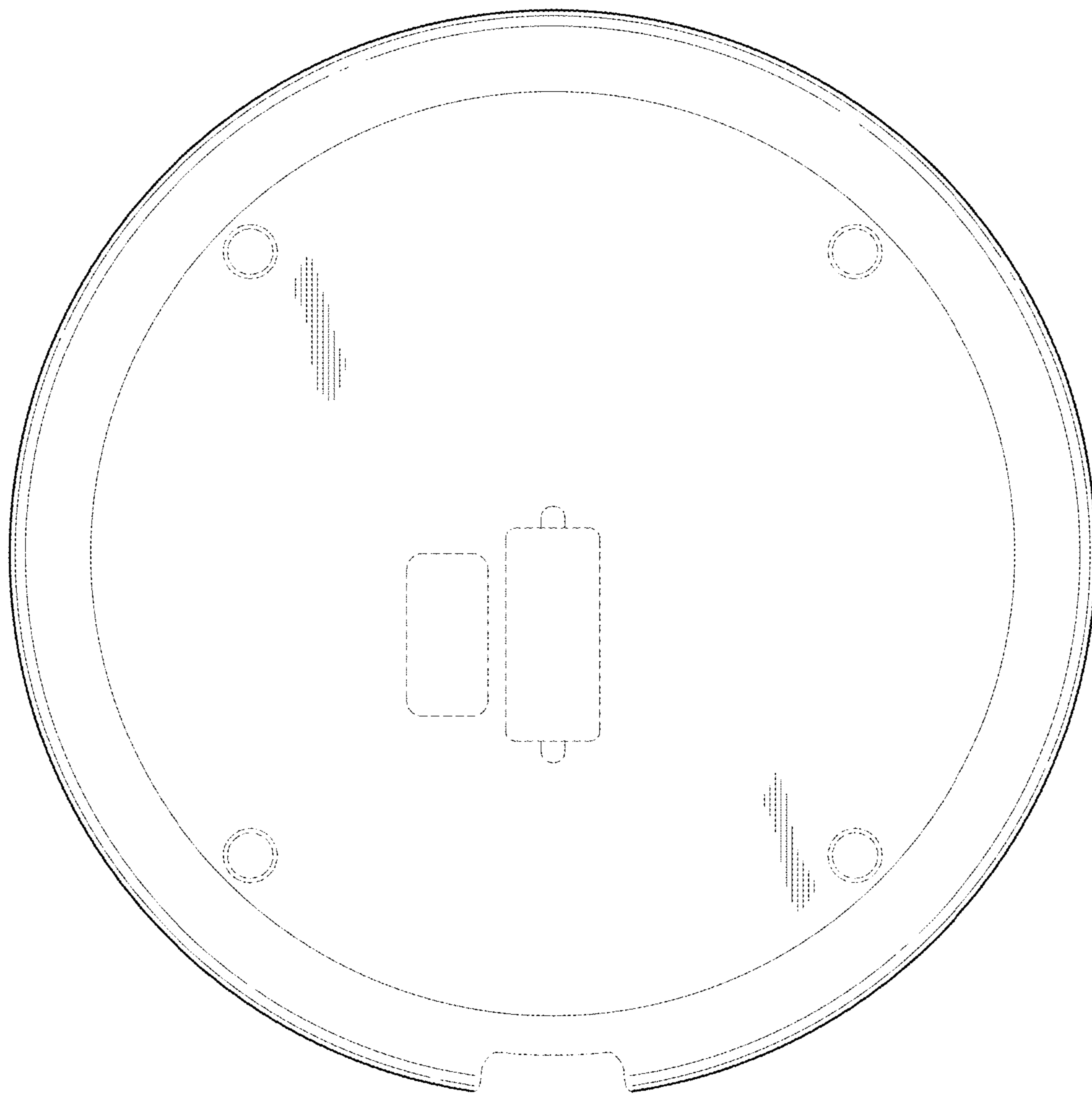


FIG. 7