



US00D768591S

(12) **United States Design Patent** (10) **Patent No.:** **US D768,591 S**
Lee et al. (45) **Date of Patent:** **** Oct. 11, 2016**

(54) **TELEVISION**

D730,857 S * 6/2015 Park D14/126
D736,168 S * 8/2015 Kim D14/126
D737,235 S * 8/2015 Kim D14/126
D739,840 S * 9/2015 Park D14/126
D742,344 S * 11/2015 Kim D14/126

(71) Applicant: **SAMSUNG ELECTRONICS CO., LTD.**, Suwon-si, Gyeonggi-do (KR)

(72) Inventors: **SangYoung Lee**, Gwangmyeong-si (KR); **Jin Su Park**, Seoul (KR); **Han Sol Kwon**, Gwangmyeong-si (KR)

* cited by examiner

Primary Examiner — Raphael Barkai

(73) Assignee: **SAMSUNG ELECTRONICS CO., LTD.**, Suwon-Si, Gyeonggi-Do (KR)

(74) *Attorney, Agent, or Firm* — Ladas & Parry LLP

(**) Term: **14 Years**

(57) **CLAIM**

We claim, the ornamental design for television, as shown and described.

(21) Appl. No.: **29/516,096**

(22) Filed: **Jan. 29, 2015**

DESCRIPTION

(30) **Foreign Application Priority Data**

Jul. 30, 2014 (KR) 30-2014-0037558

(51) **LOC (10) Cl.** **14-03**

(52) **U.S. Cl.**
USPC **D14/126**

(58) **Field of Classification Search**
USPC D14/125-134, 239, 371, 136, 374-377, D14/440, 450, 448, 336, 342, 159; 312/7.2; 348/836, 838, 180, 184, 325, 739; 248/917-924, 465; 345/104, 133, 156, 345/168, 87, 173; D21/329, 515, 577, 622, D21/333, 433, 448, 452, 450, 331, 505; D10/15, 26; 446/484, 175, 356; D6/477, 479, 300; D20/10, 19, 39
CPC . G06F 1/1601; G06F 1/1643; H05K 5/0004; H05K 5/0017; H05K 5/02; H05K 5/0217; H04N 13/0459

See application file for complete search history.

FIG. 1 is the front perspective view of television showing our new design;

FIG. 2 is the front view thereof;

FIG. 3 is the rear view thereof;

FIG. 4 is the left-side view thereof;

FIG. 5 is the right-side view thereof;

FIG. 6 is the top plan view thereof;

FIG. 7 is the bottom plan view thereof;

FIG. 8 is the rear perspective view thereof;

FIG. 9 is a partially enlarged view of FIG. 1;

FIG. 10 is another front perspective view thereof, as shown in an alternate configuration; and,

FIG. 11 is another rear perspective view thereof, as shown in an alternate configuration.

The broken lines are for environmental purposes only and form no part of the claimed design.

The dot-dash broken lines encircling portions of the claimed design that are illustrated in enlargements form no part of the claimed design.

(56) **References Cited**

U.S. PATENT DOCUMENTS

D709,468 S * 7/2014 Seo D14/126
D712,367 S * 9/2014 Park D14/126
D719,120 S * 12/2014 Park D14/126

1 Claim, 11 Drawing Sheets

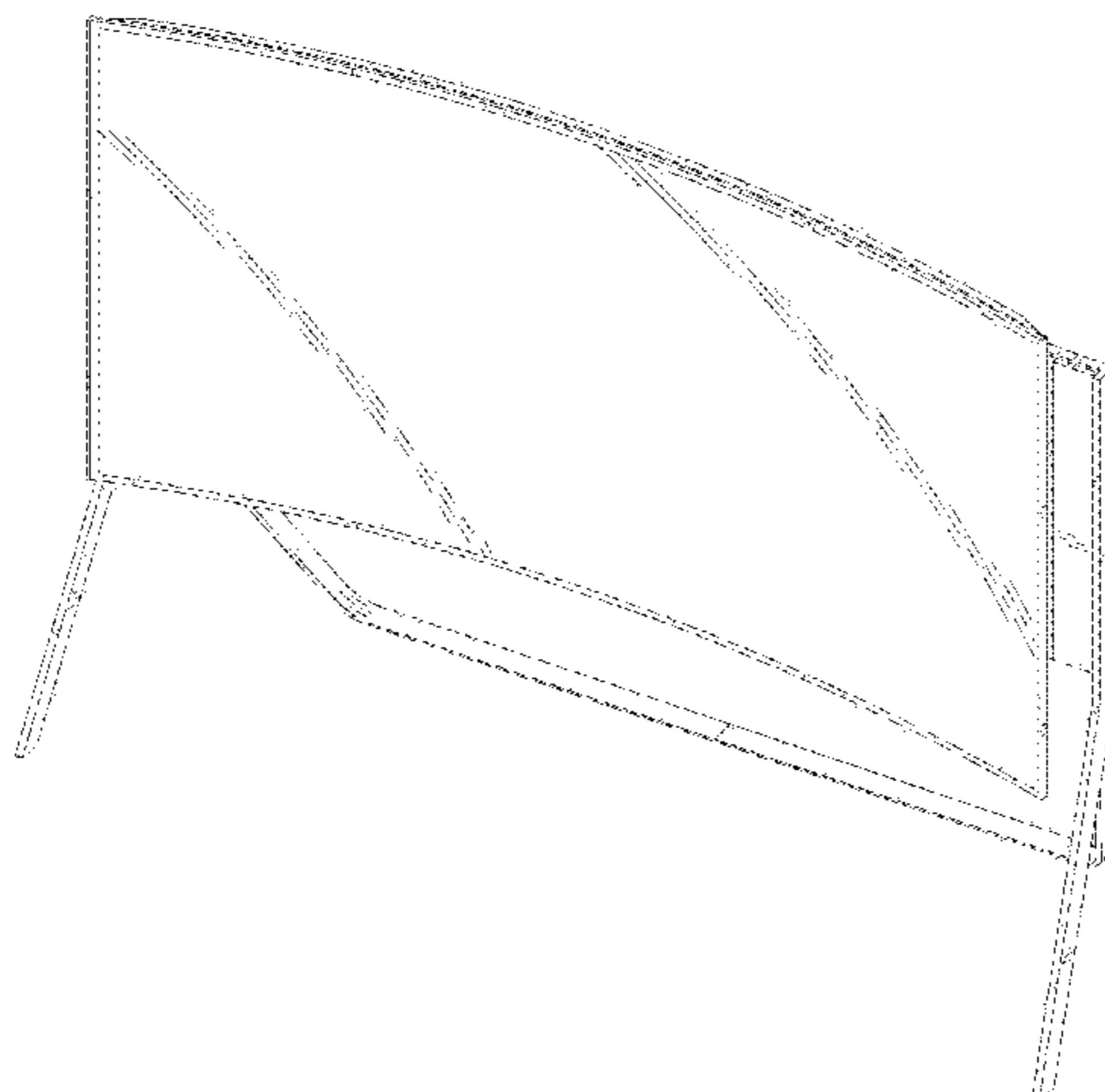


Fig. 1

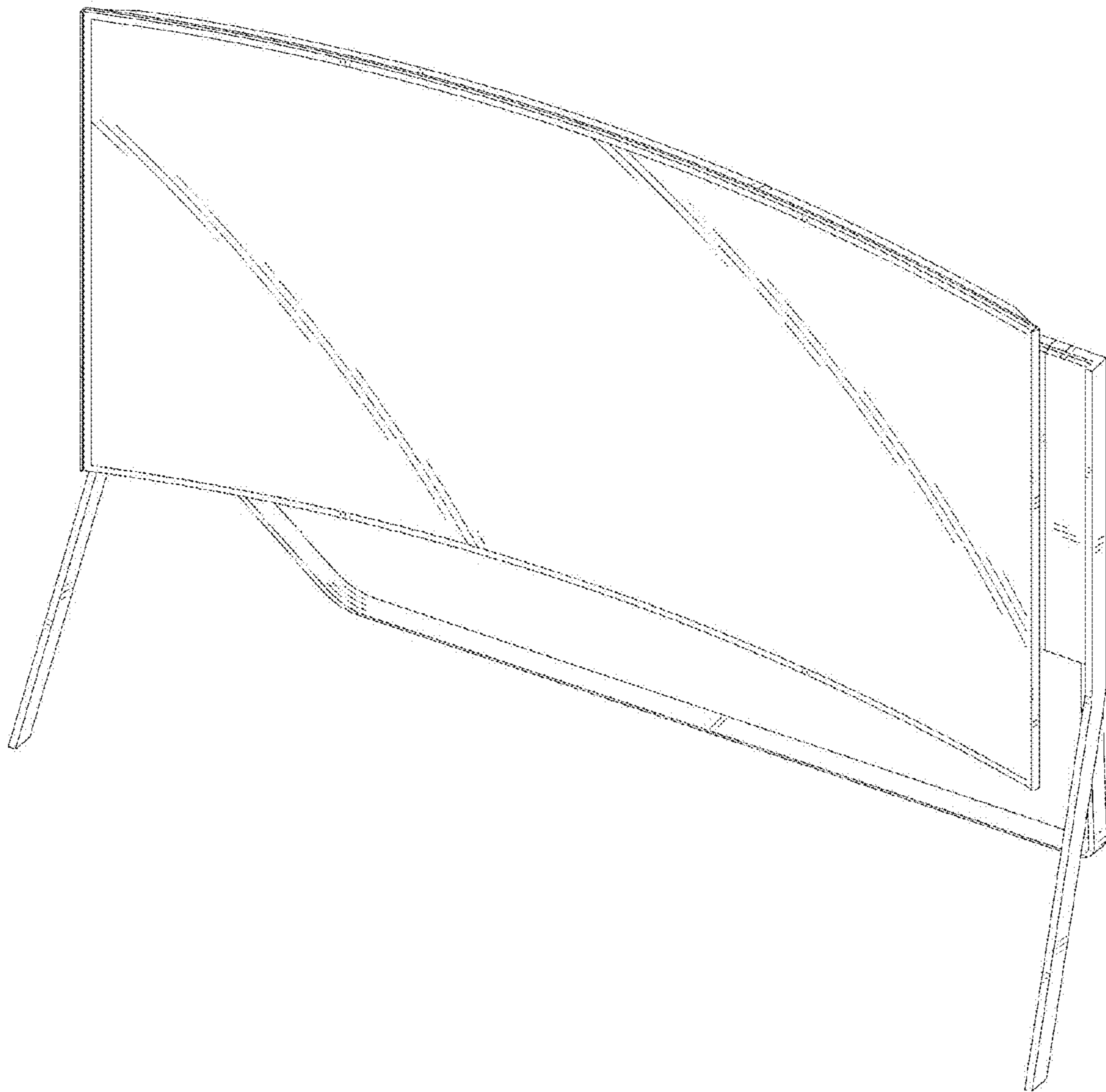


Fig. 2

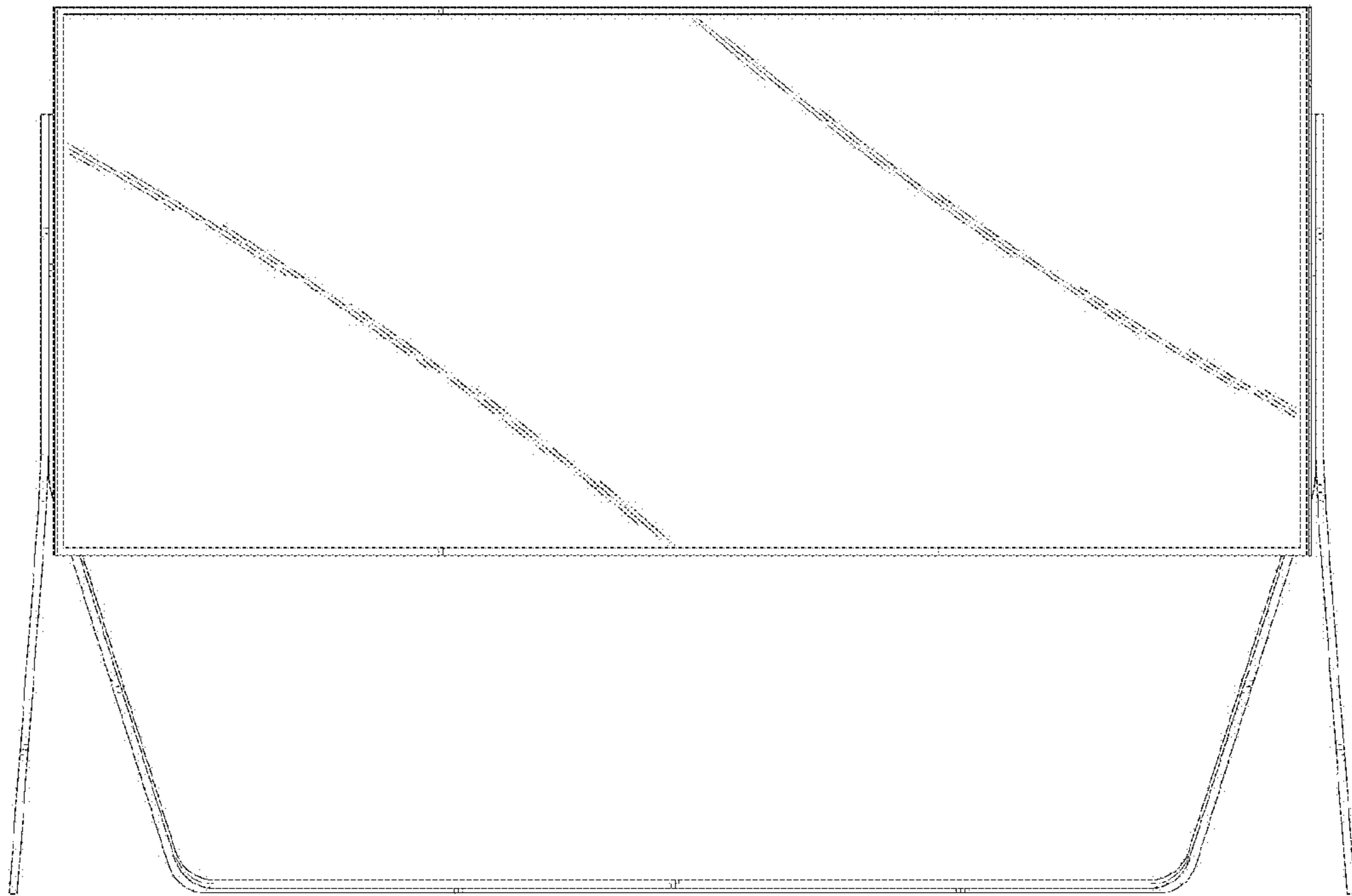


Fig. 3

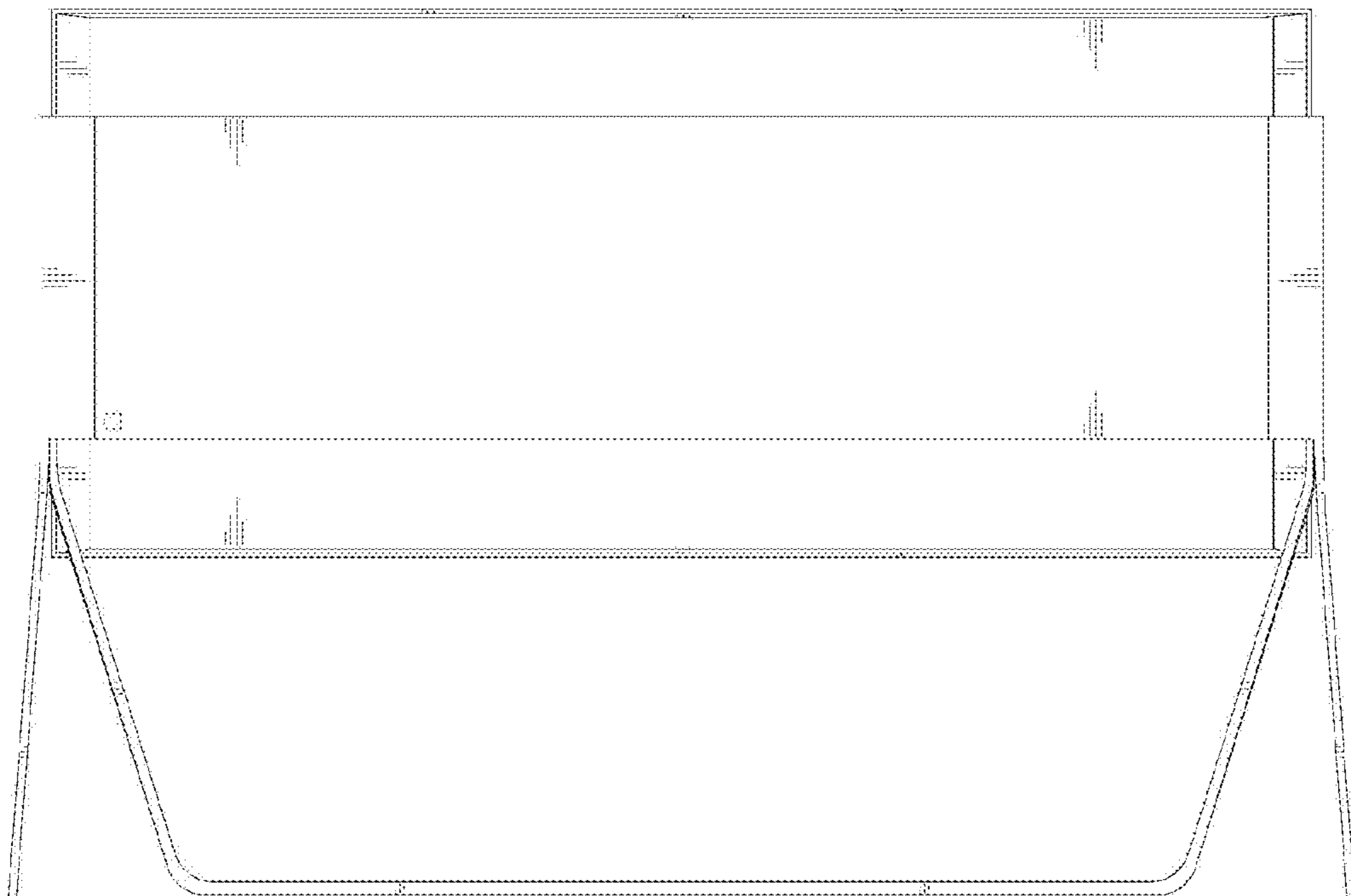


Fig. 4

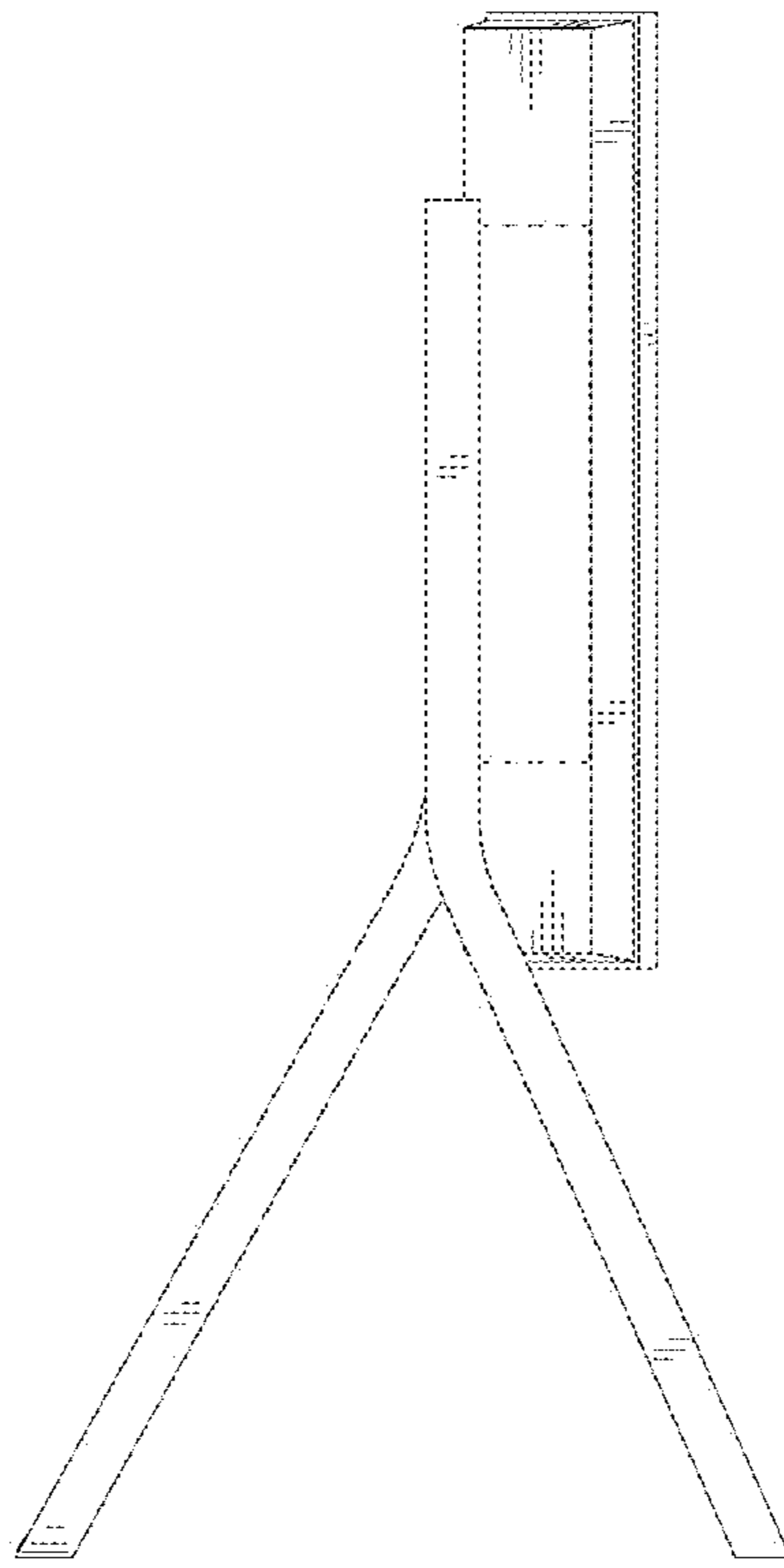


Fig. 5

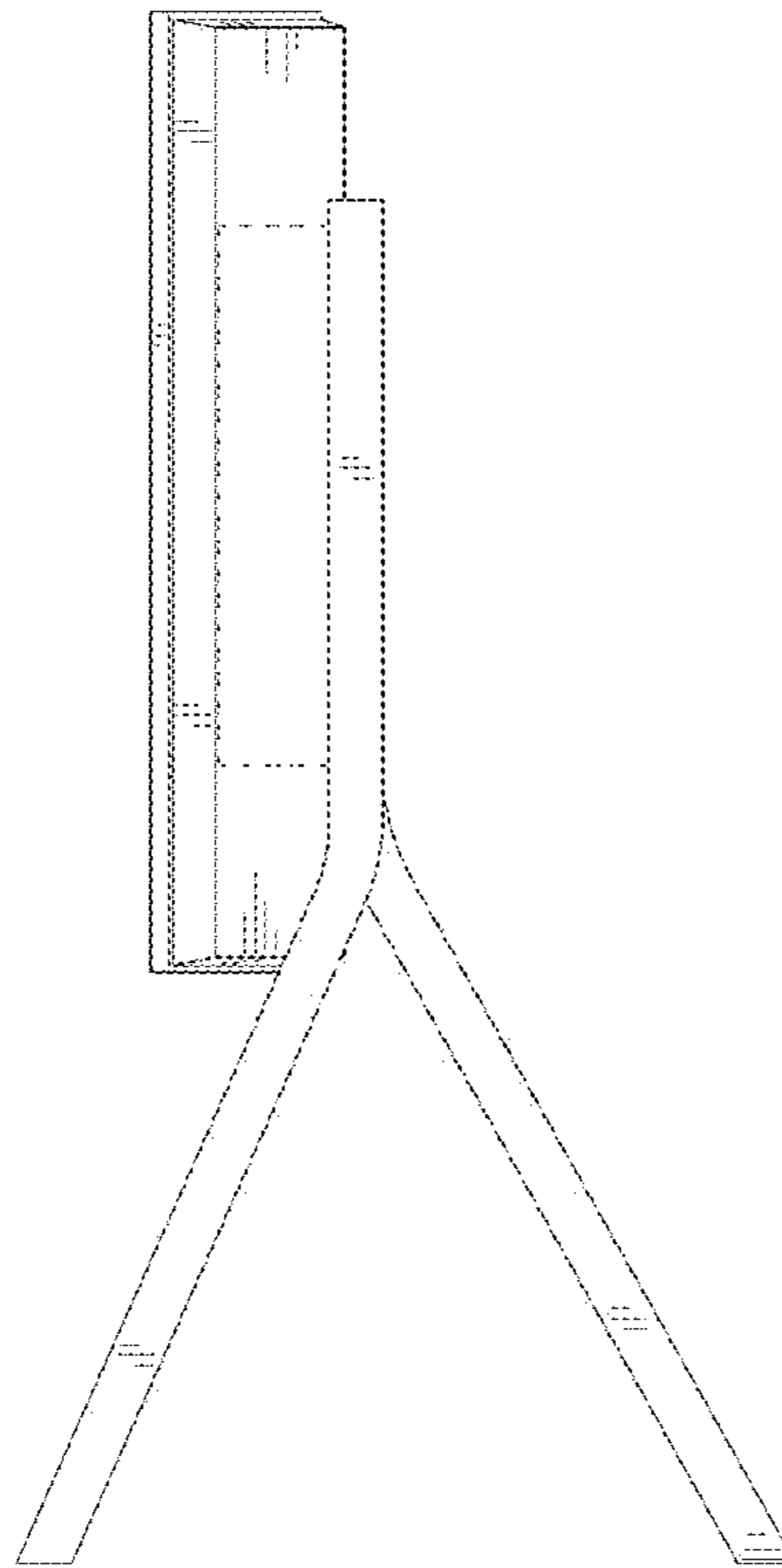


Fig. 6

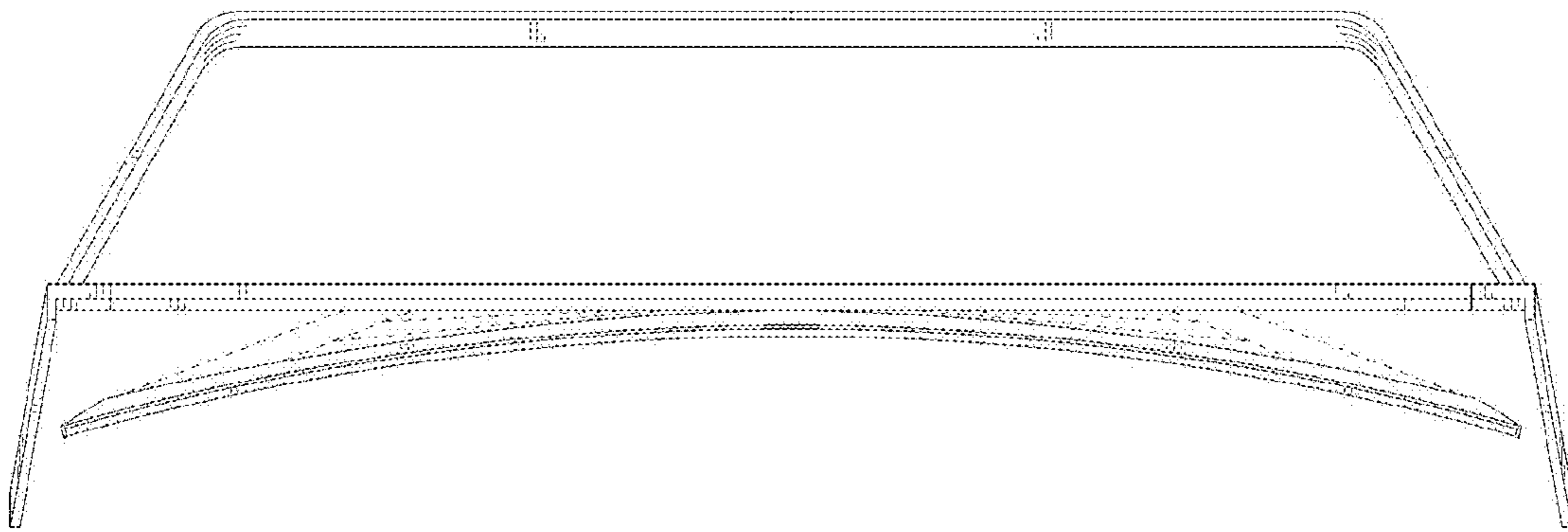


Fig. 7

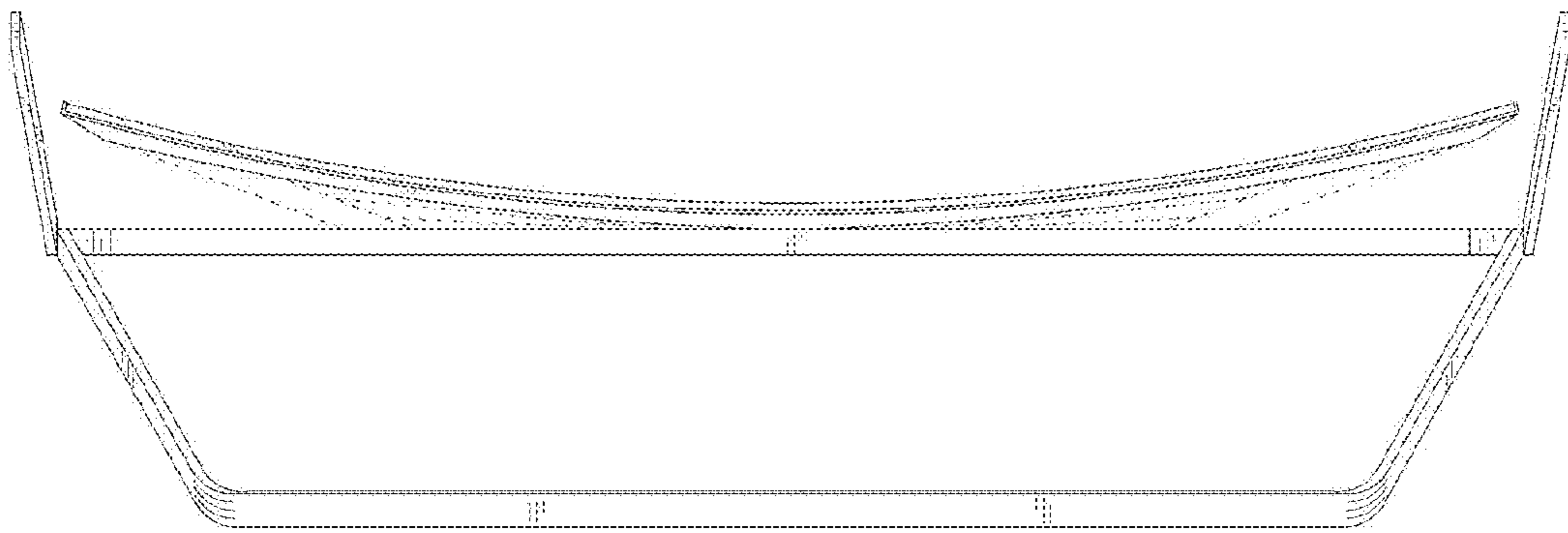


Fig. 8

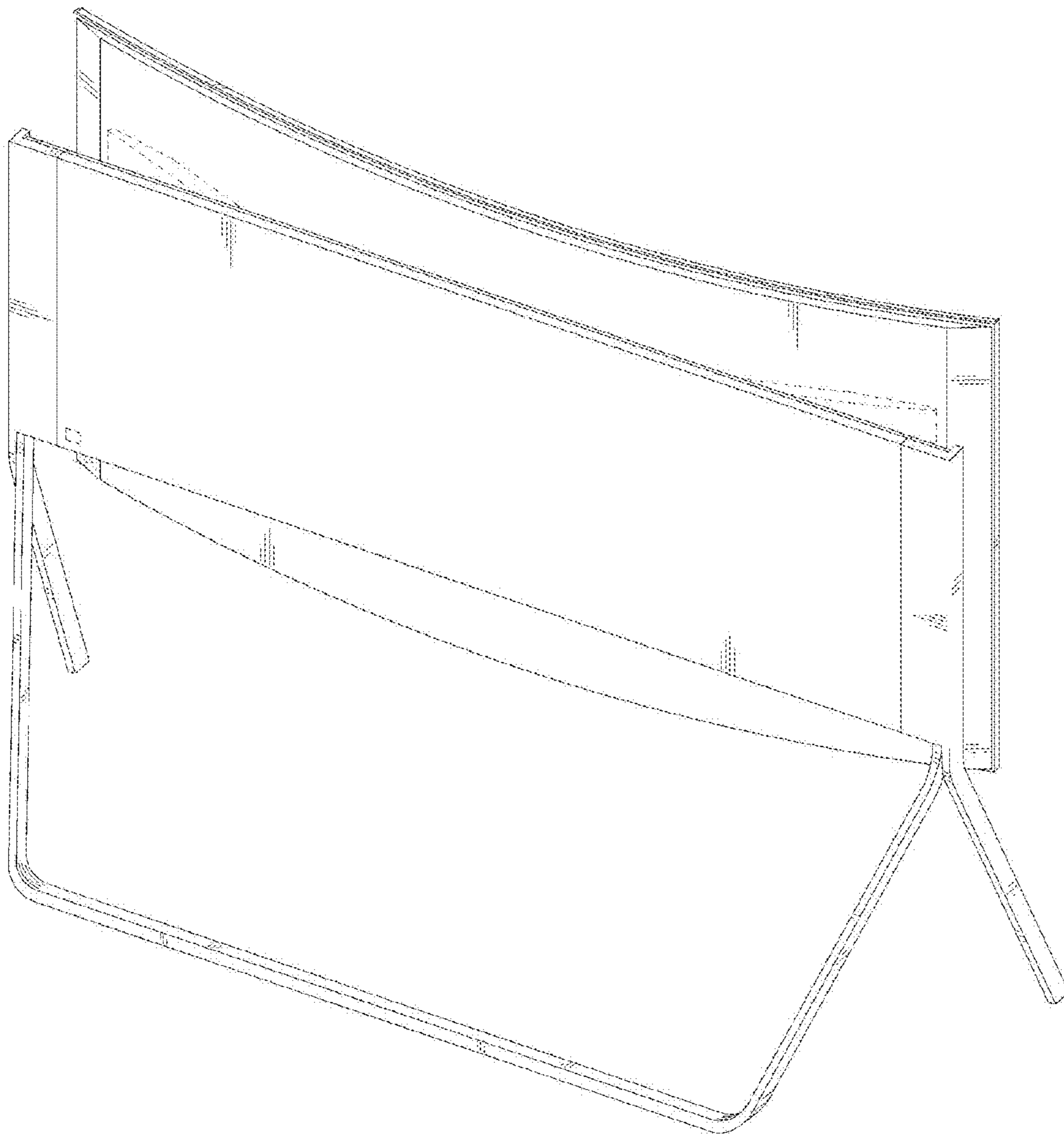


Fig. 9

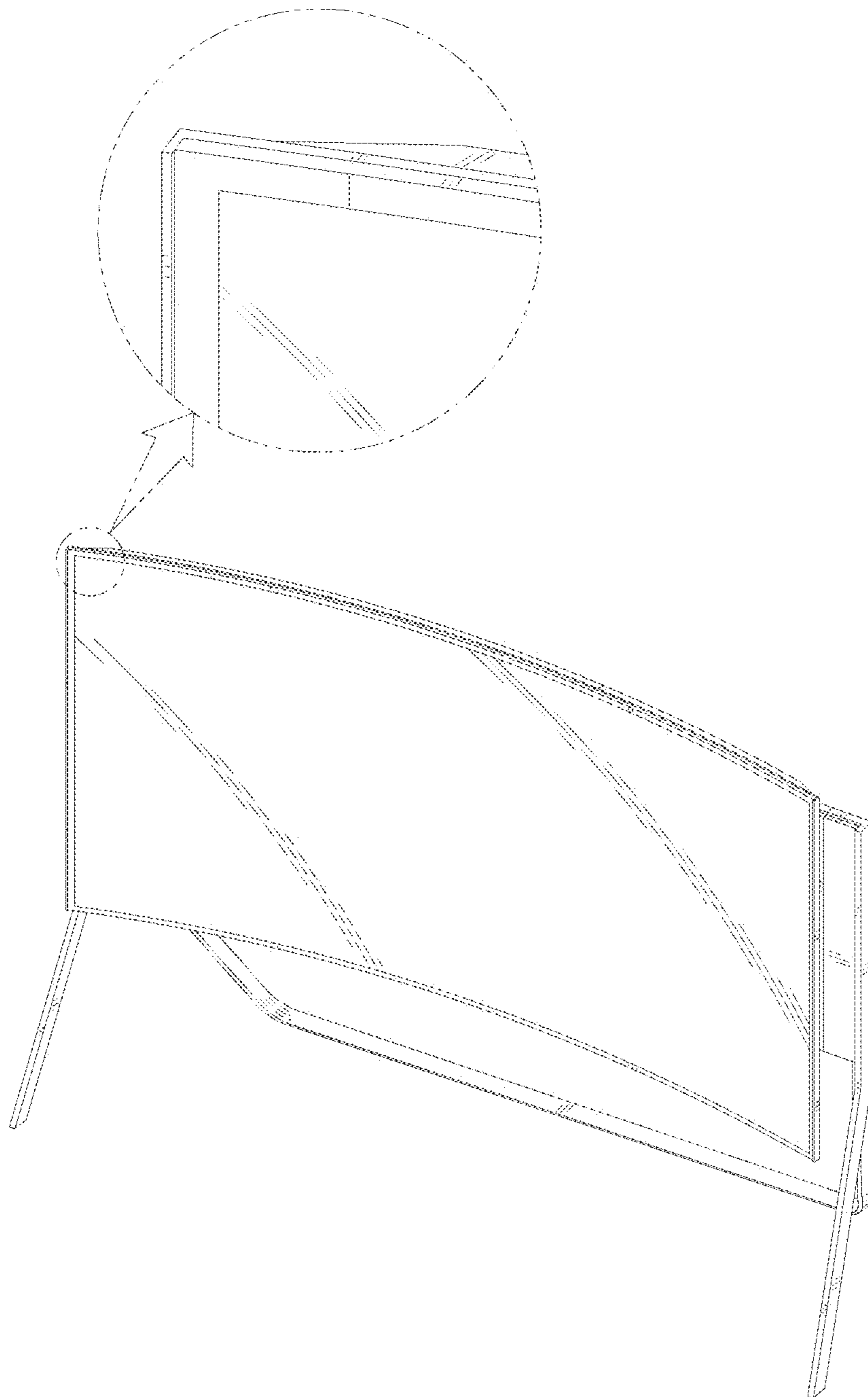


Fig. 10

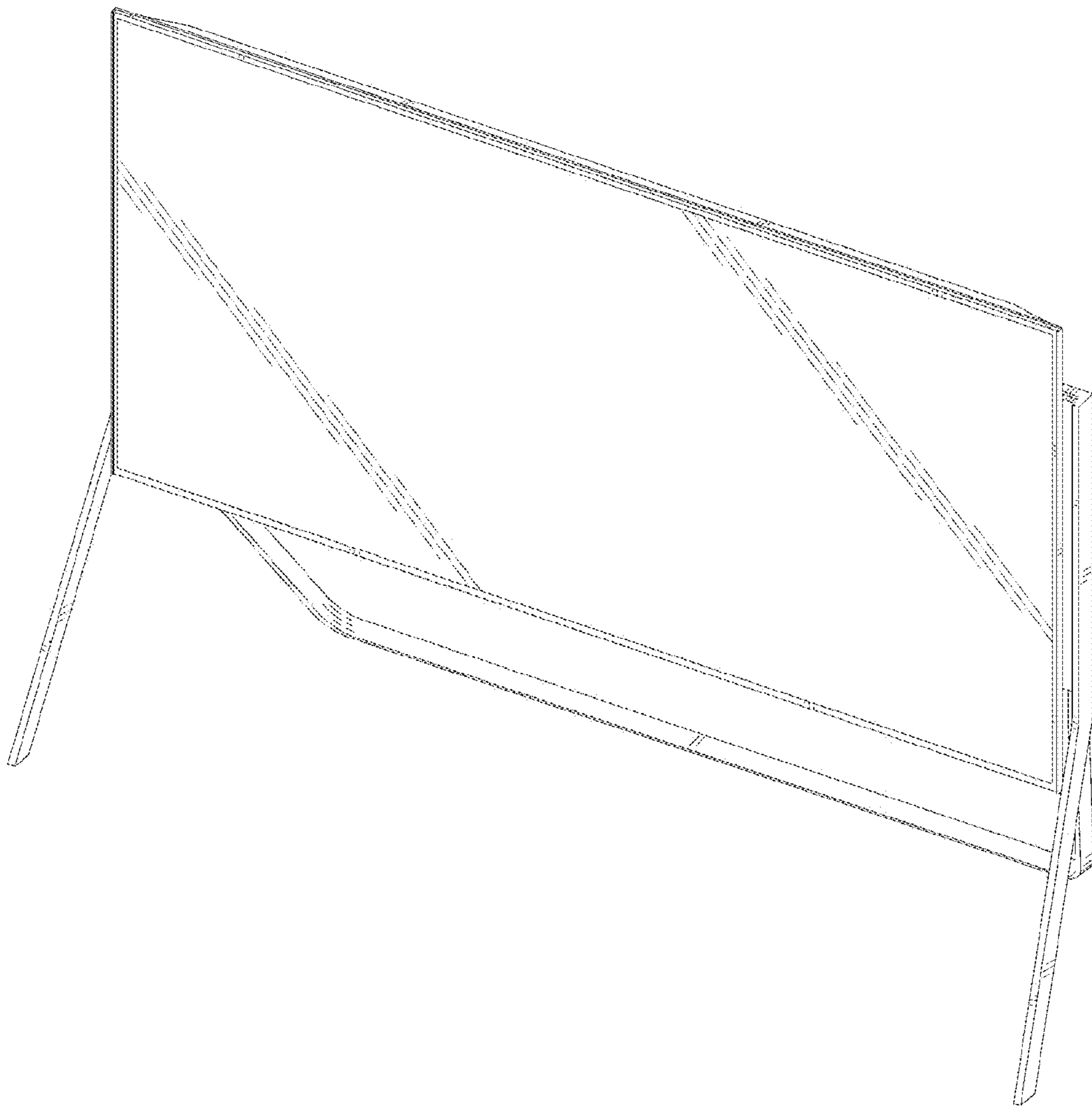


Fig. 11

