



US00D768590S

(12) **United States Design Patent**
Shin et al.

(10) **Patent No.:** **US D768,590 S**

(45) **Date of Patent:** **** Oct. 11, 2016**

(54) **TV RECEIVER**

(71) Applicant: **Samsung Electronics Co., Ltd.**,
Suwon-si (KR)

(72) Inventors: **Rina Shin**, Seoul (KR); **Soyoung Jung**,
Incheon (KR)

(73) Assignee: **Samsung Electronics Co., Ltd.**,
Suwon-si (KR)

(**) Term: **14 Years**

(21) Appl. No.: **29/495,282**

(22) Filed: **Jun. 30, 2014**

(30) **Foreign Application Priority Data**

Jan. 2, 2014 (KR) 30-2014-0000253

(51) **LOC (10) Cl.** **14-03**

(52) **U.S. Cl.**
USPC **D14/126**

(58) **Field of Classification Search**
USPC D14/125-134, 239, 371, 136, 374-377,
D14/440, 450, 448, 336, 342, 159; 312/7.2;
348/836, 838, 180, 184, 325, 739;
248/917-924, 465; 345/104, 133, 156,
345/168, 87, 173; D21/329, 515, 577, 622,
D21/333, 433, 448, 452, 450, 331, 505;
D10/15, 26; 446/484, 175, 356;
D6/477, 479, 300; D20/10, 19, 39
CPC . G06F 1/1601; G06F 1/1643; H05K 5/0004;
H05K 5/0017; H05K 5/02; H05K 5/0217;
H04N 13/0459

See application file for complete search history.

(56) **References Cited**

U.S. PATENT DOCUMENTS

D541,772 S * 5/2007 Kita D14/126
D541,774 S * 5/2007 Kita D14/126

D646,243 S * 10/2011 Honda D14/126
D661,268 S * 6/2012 Ito D14/126
D666,165 S * 8/2012 Kim D14/126
D680,087 S * 4/2013 Fujii D14/126
D684,944 S * 6/2013 Seong D14/126
D691,573 S * 10/2013 Iida D14/126
D717,753 S * 11/2014 Totsuka D14/126
D738,338 S * 9/2015 Lee D14/126
D752,533 S * 3/2016 Yamaguchi D14/126

* cited by examiner

Primary Examiner — Raphael Barkai

(74) *Attorney, Agent, or Firm* — NSIP Law

(57) **CLAIM**

We claim the ornamental design for a TV receiver, as shown and described.

DESCRIPTION

FIG. 1 is a front perspective view of a TV receiver showing our new design;

FIG. 2 is a front view thereof;

FIG. 3 is a rear view thereof;

FIG. 4 is a left-side view thereof;

FIG. 5 is a right-side view thereof;

FIG. 6 is a top view thereof;

FIG. 7 is a bottom view thereof;

FIG. 8 is an enlarged view of the encircled portion in FIG. 1; and,

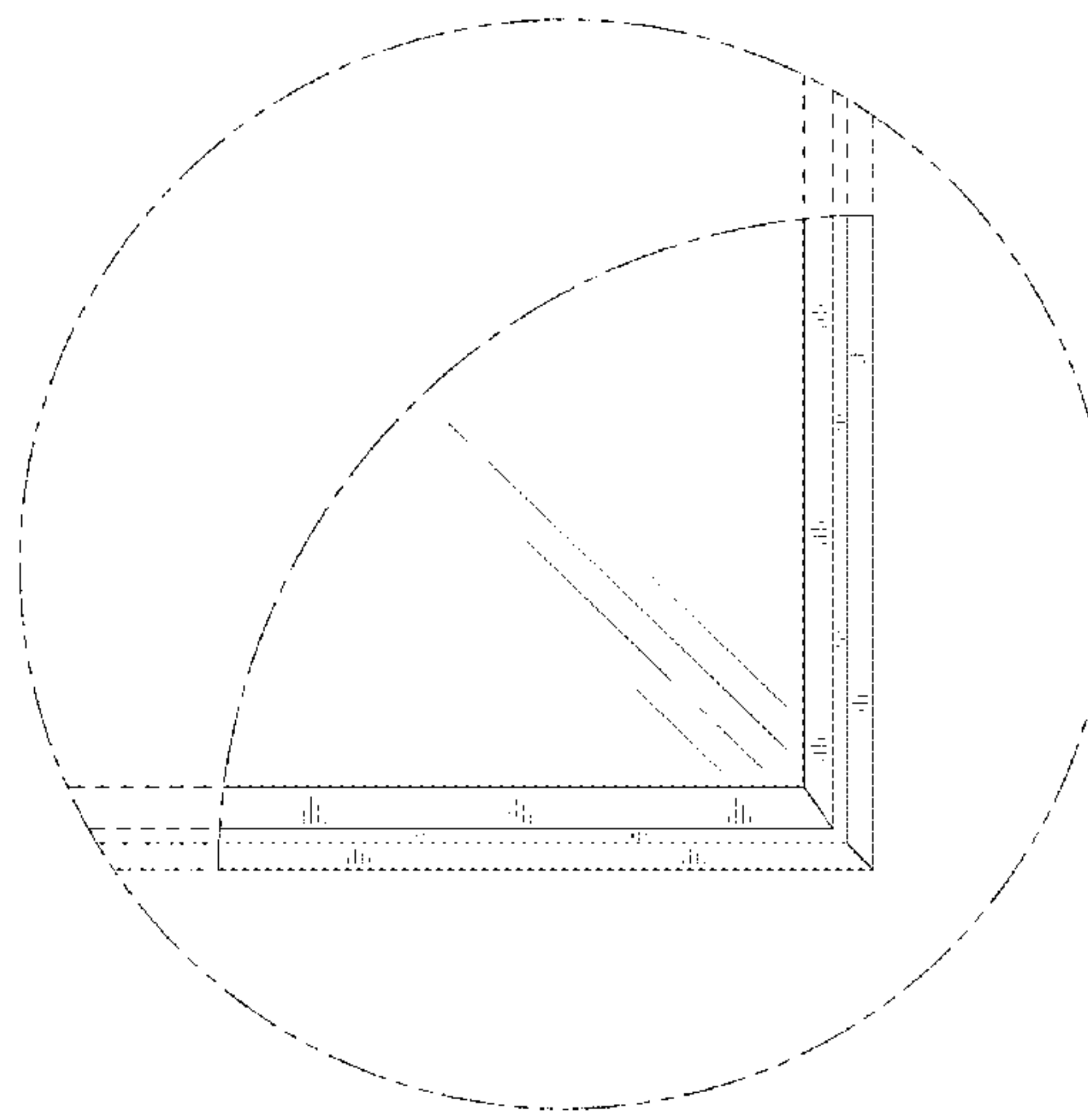
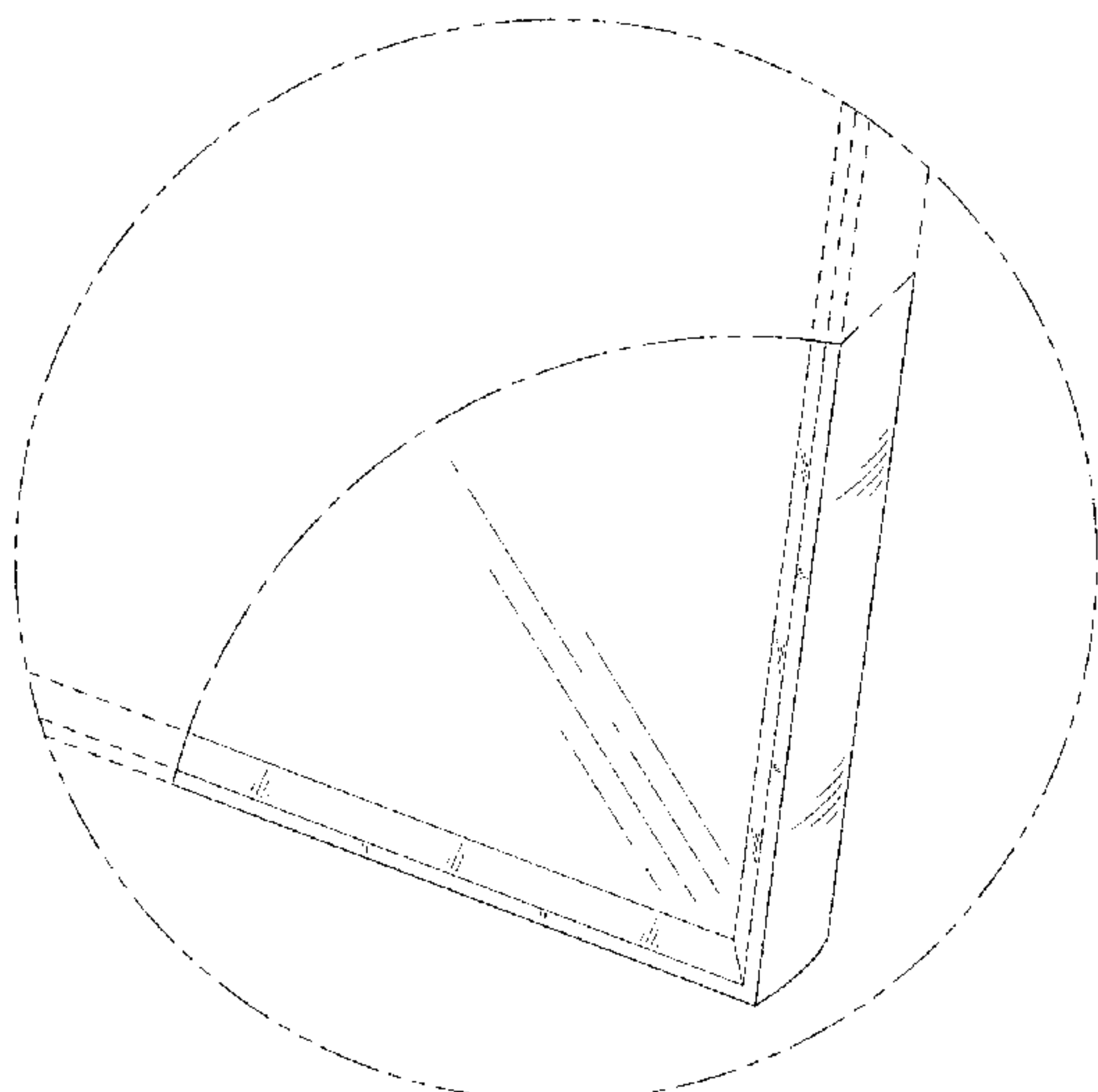
FIG. 9 is an enlarged view of the encircled portion in FIG. 2.

The broken lines in the figures show portions of the TV receiver which form no part of the claimed design.

The dot-dot-dash broken lines encircling portions of the claimed design that are illustrated in enlargements form no part of the claimed design.

The dot-dash lines in the figures represent an unclaimed boundary line and form no part of the claimed design.

1 Claim, 9 Drawing Sheets



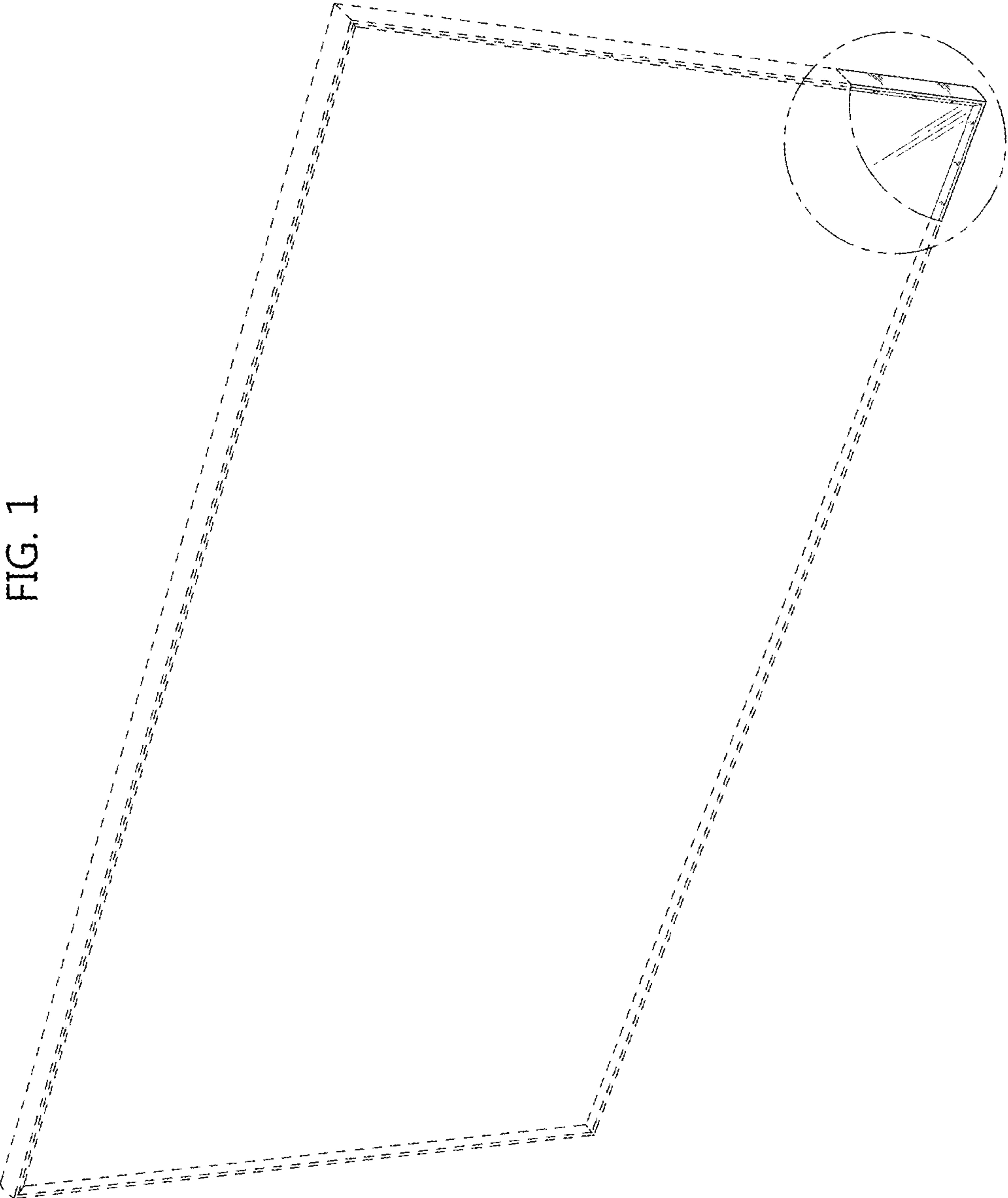


FIG. 1

FIG. 2

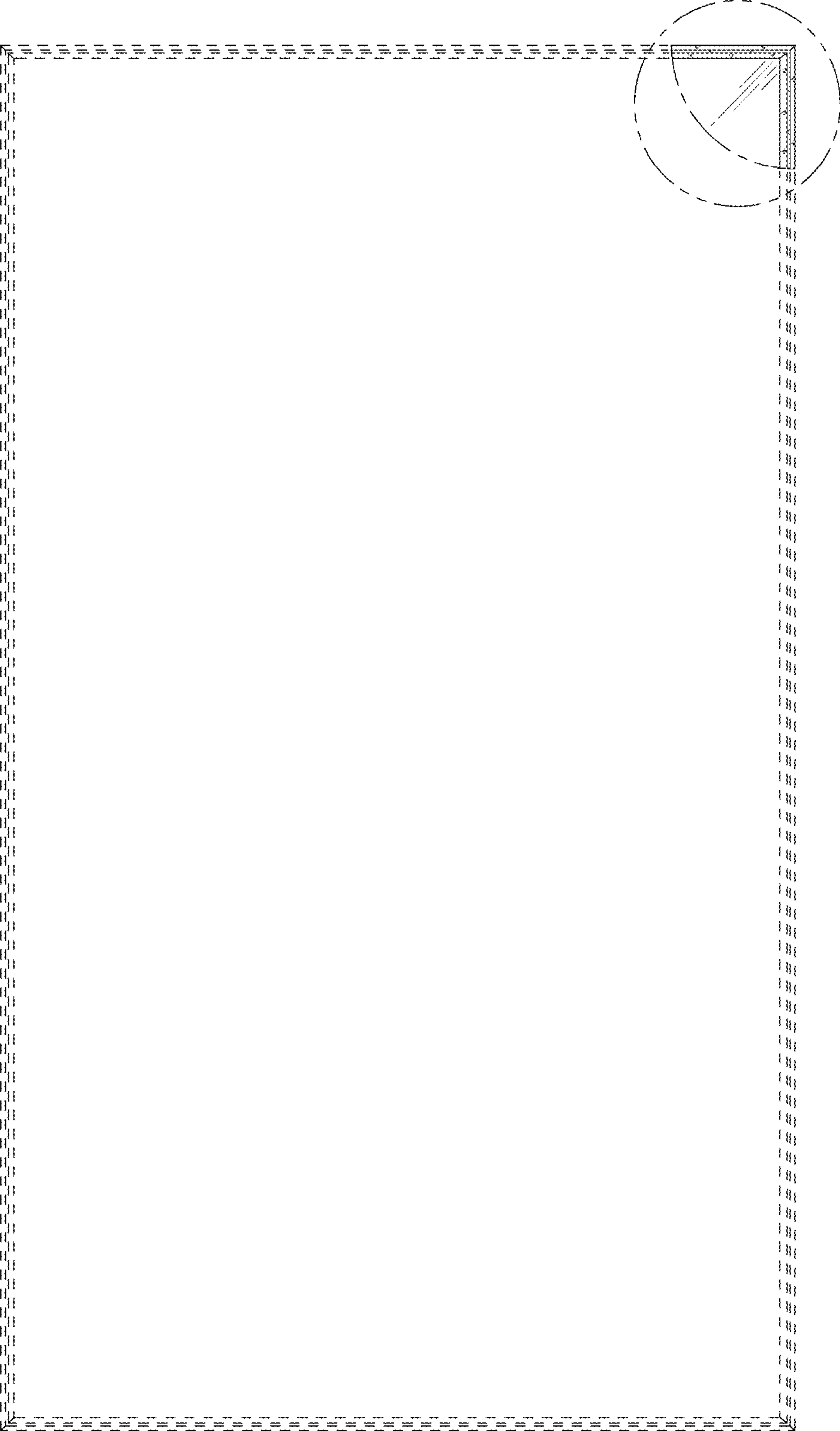


FIG. 3

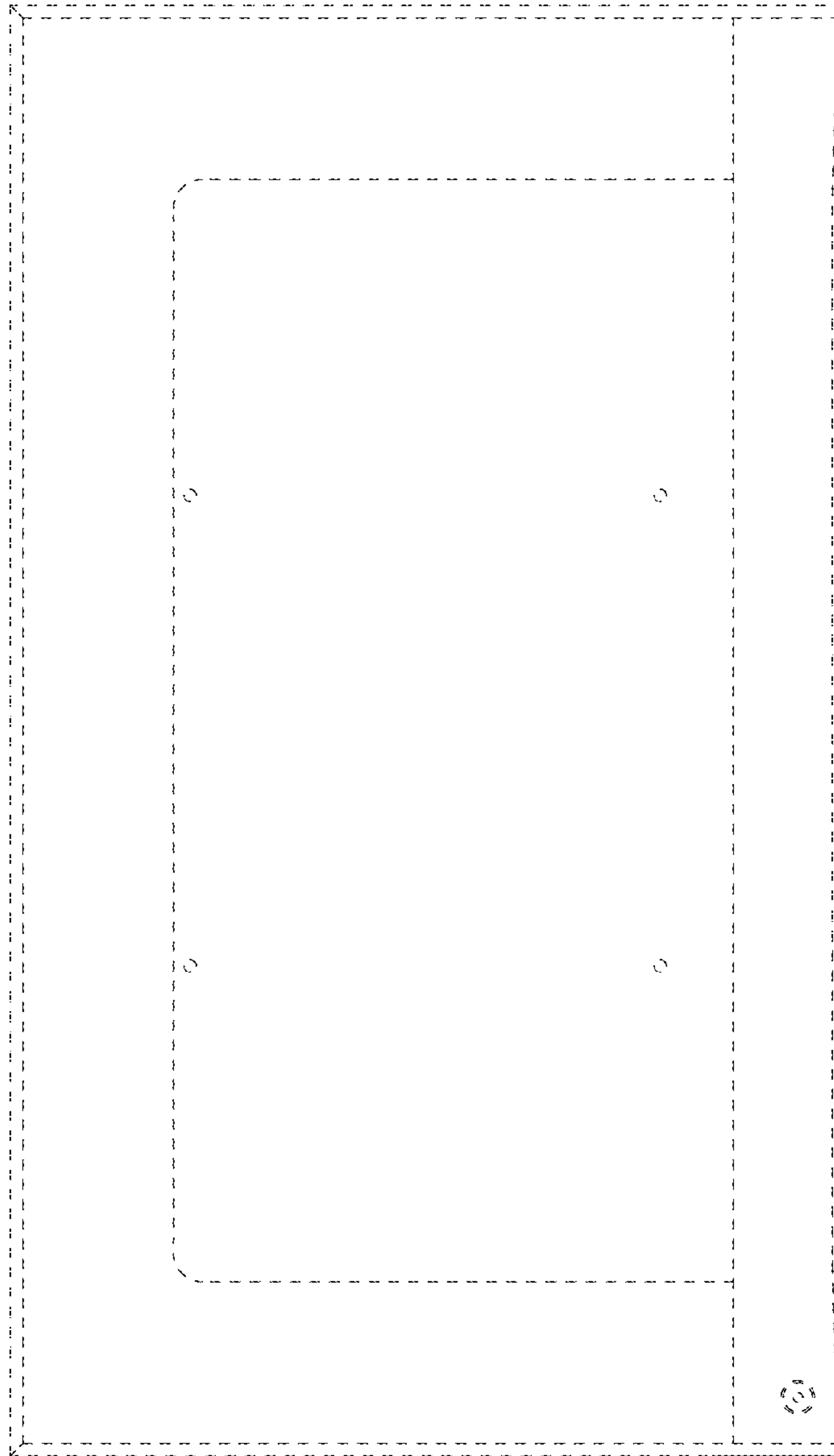


FIG. 4

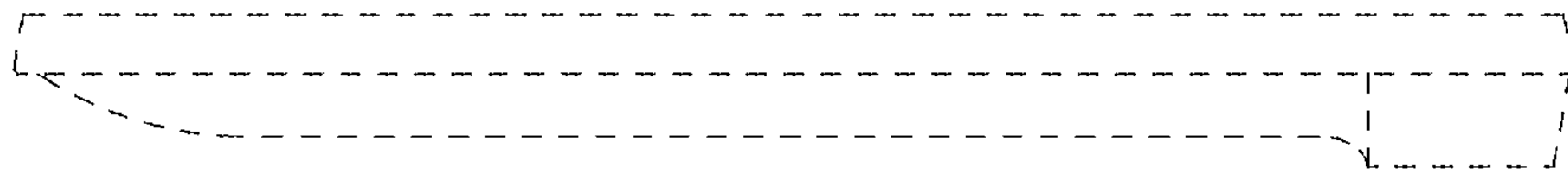


FIG. 5

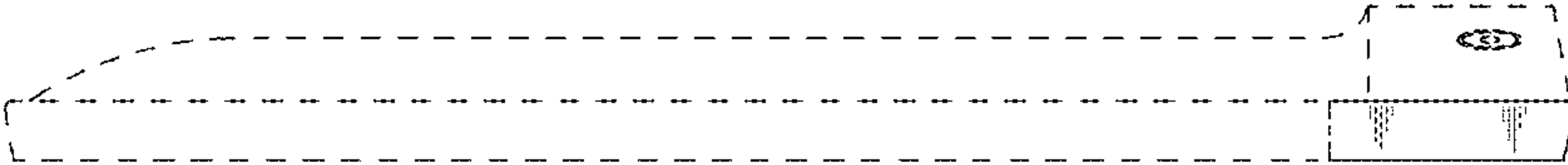


FIG. 6

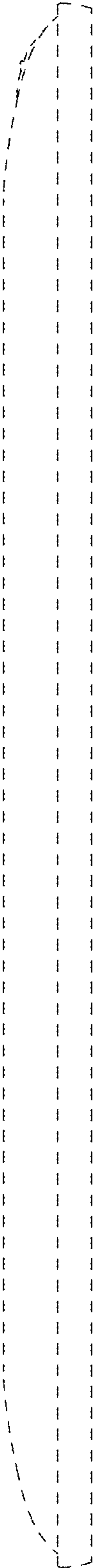


FIG. 7

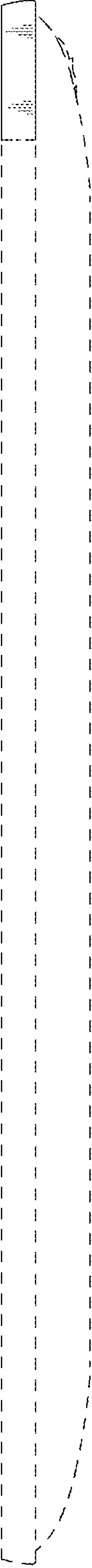


FIG. 8

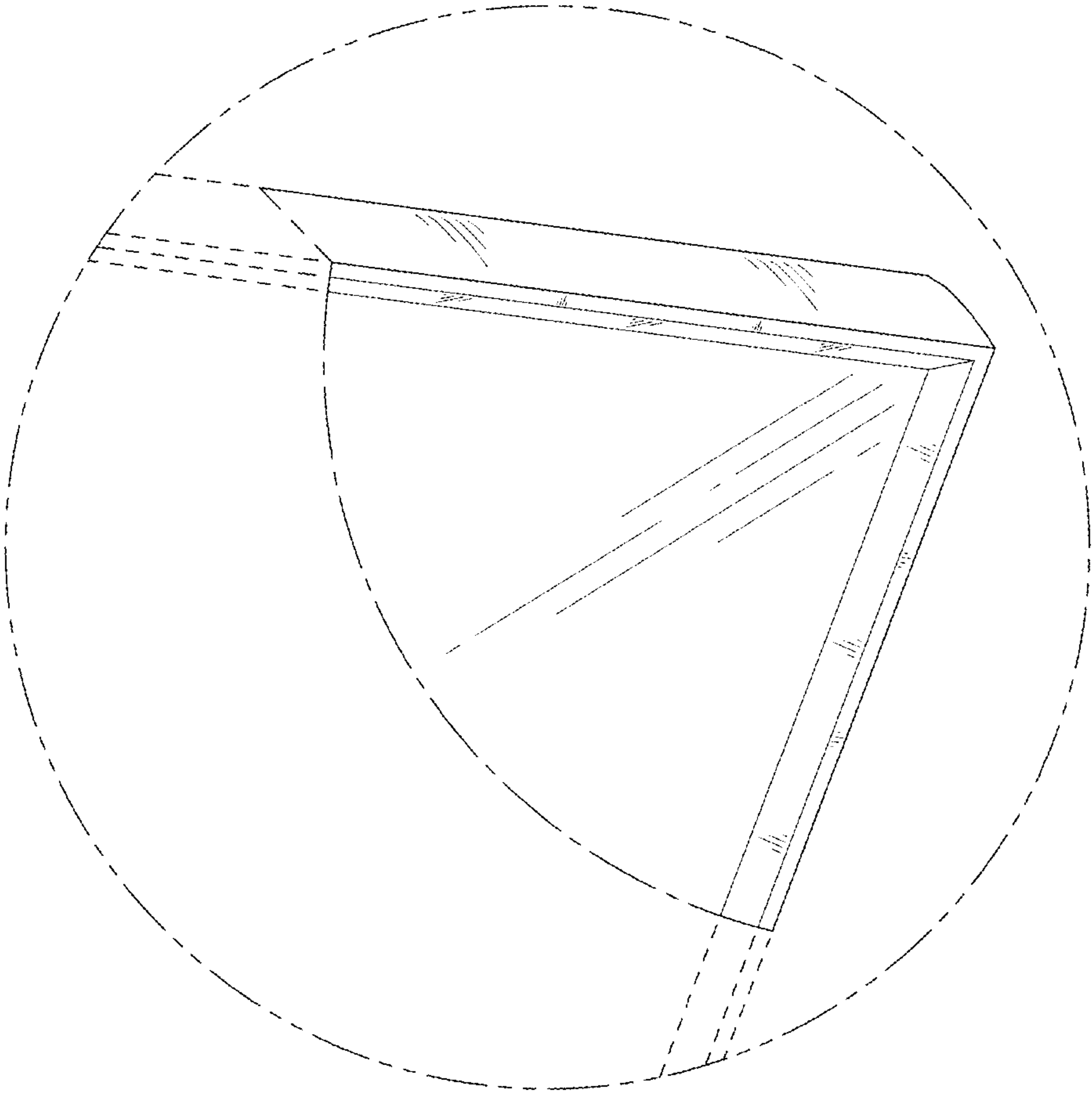


FIG. 9

