



US00D768589S

(12) **United States Design Patent**  
**Shin**

(10) **Patent No.:** **US D768,589 S**

(45) **Date of Patent:** **\*\* Oct. 11, 2016**

(54) **SET TOP BOX**

(71) Applicant: **HUMAX CO., LTD.**, Yongin (KR)

(72) Inventor: **Yoon Sun Shin**, Seongnam (KR)

(73) Assignee: **HUMAX CO., LTD.**, Yongin (KR)

(\*\*) Term: **15 Years**

(21) Appl. No.: **29/533,265**

(22) Filed: **Jul. 15, 2015**

(30) **Foreign Application Priority Data**

Jun. 12, 2015 (KR) ..... 30-2015-0029665

(51) **LOC (10) Cl.** ..... **14-03**

(52) **U.S. Cl.**  
USPC ..... **D14/125**

(58) **Field of Classification Search**  
USPC ..... D14/125, 357-358, 496, 188, 242, 432;  
D13/184; 348/10, 460, 706, 731;  
340/825.03; 455/6.1, 6.2; 312/223.1,  
312/7.2  
CPC ..... H04N 7/00  
See application file for complete search history.

(56) **References Cited**

**U.S. PATENT DOCUMENTS**

D657,784 S \* 4/2012 Akana ..... D14/314  
D660,834 S \* 5/2012 Akana ..... D14/314

D666,563 S \* 9/2012 Lee ..... D14/125  
D710,824 S \* 8/2014 Mackiewicz ..... D14/214  
D725,614 S \* 3/2015 Kuh ..... D14/125  
D730,850 S \* 6/2015 Tang ..... D14/125  
D732,512 S \* 6/2015 Fariello ..... D14/230  
D732,530 S \* 6/2015 Hermansson ..... D14/358

\* cited by examiner

*Primary Examiner* — Randall Gholson

(57) **CLAIM**

The ornamental design for a set top box, as shown and described.

**DESCRIPTION**

FIG. 1 is a perspective view of a set top box showing my new design;  
FIG. 2 is a front elevational view thereof;  
FIG. 3 is a rear elevational view thereof;  
FIG. 4 is a left side elevational view thereof;  
FIG. 5 is a right side elevational view thereof;  
FIG. 6 is a top plan view thereof;  
FIG. 7 is a bottom plan view thereof; and,  
FIG. 8 is a second perspective view of the design from a different angle.

The broken lines depict portions of the set top box that form no part of the claimed design.

The set top box is implemented on any article of metal material and synthetic resin.

**1 Claim, 6 Drawing Sheets**

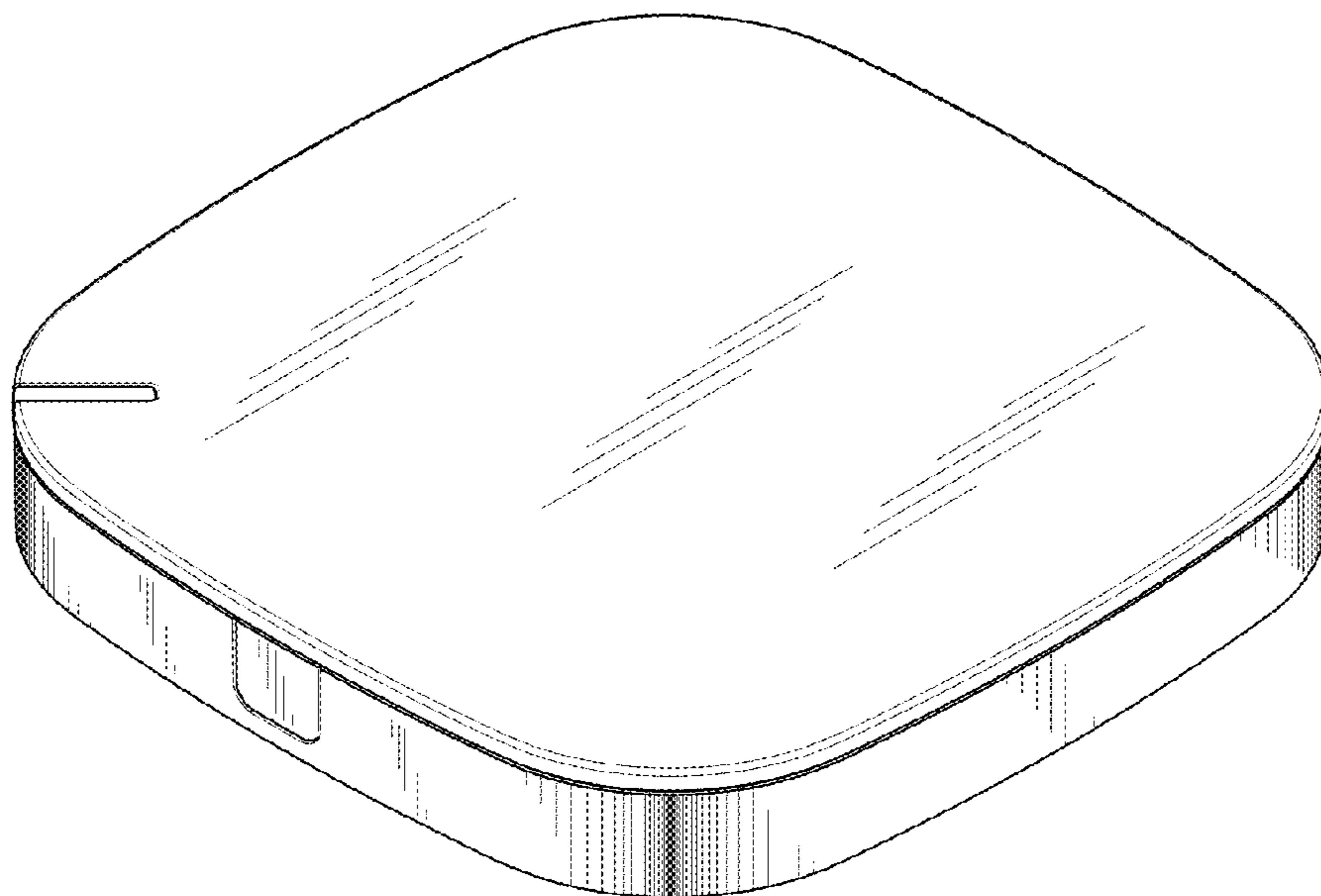


Fig. 1

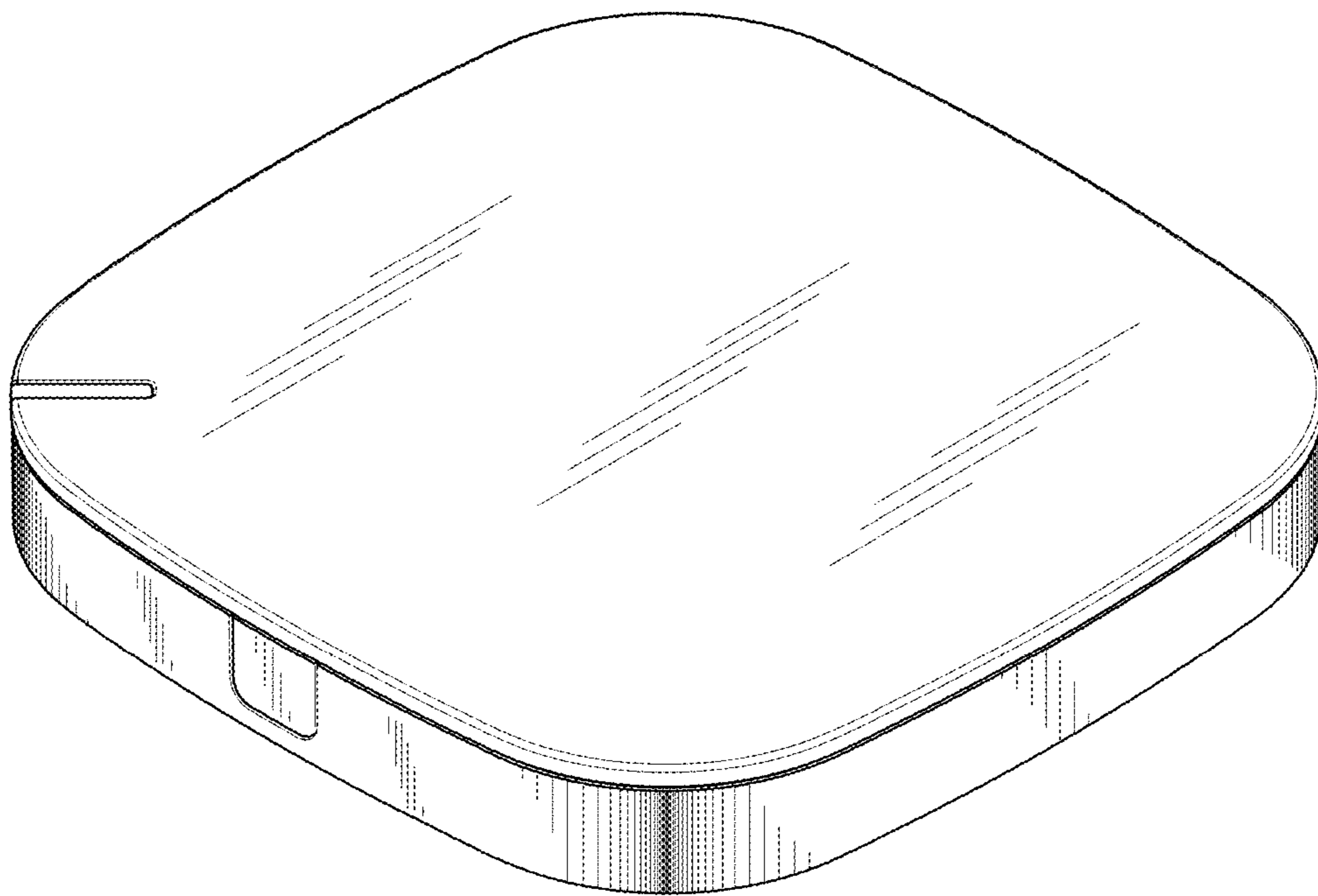


Fig. 2

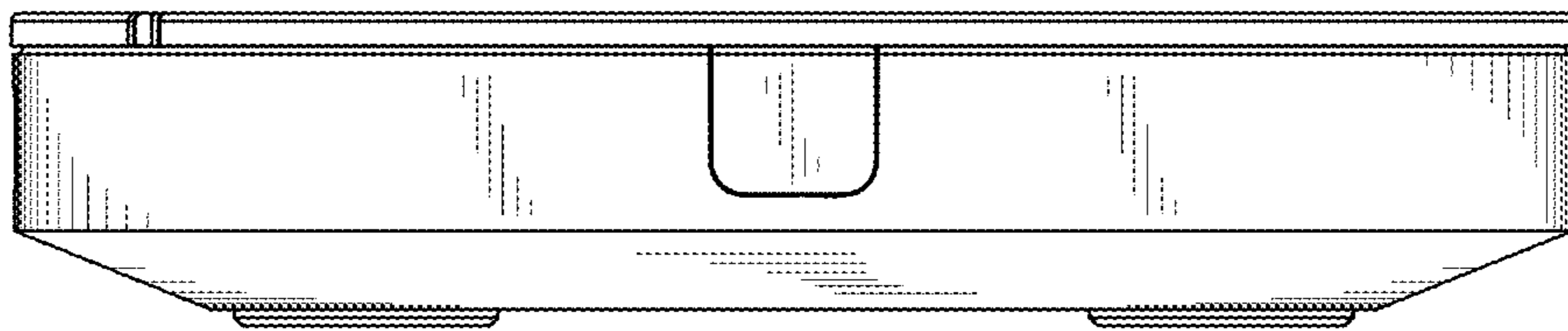


Fig. 3

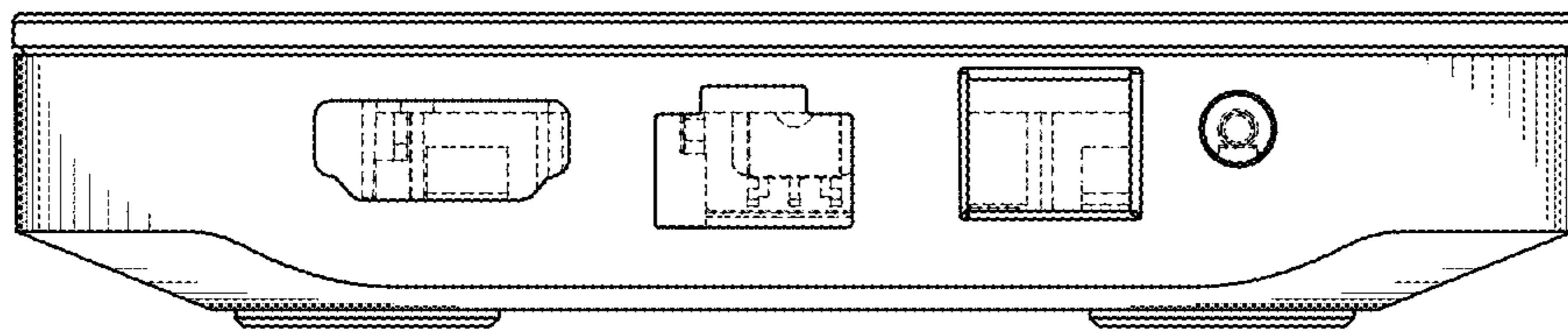


Fig. 4

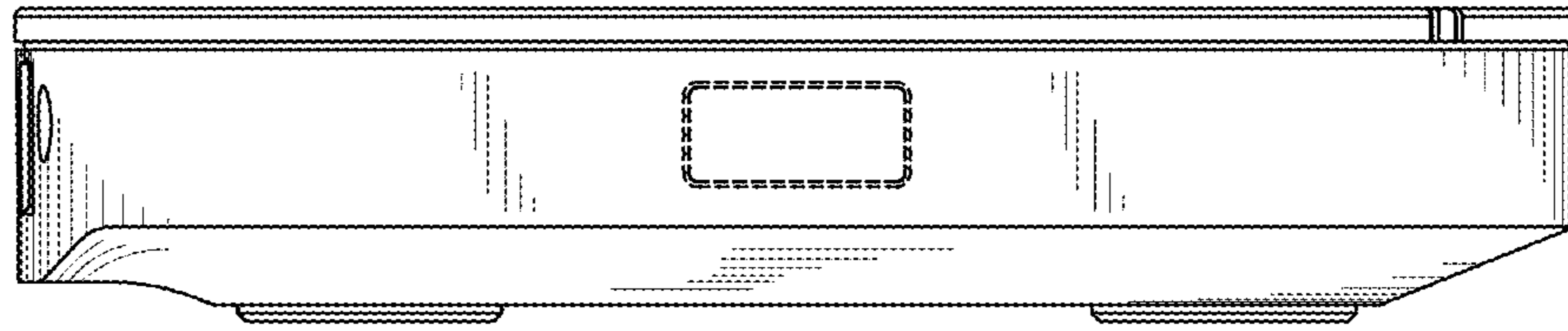


Fig. 5

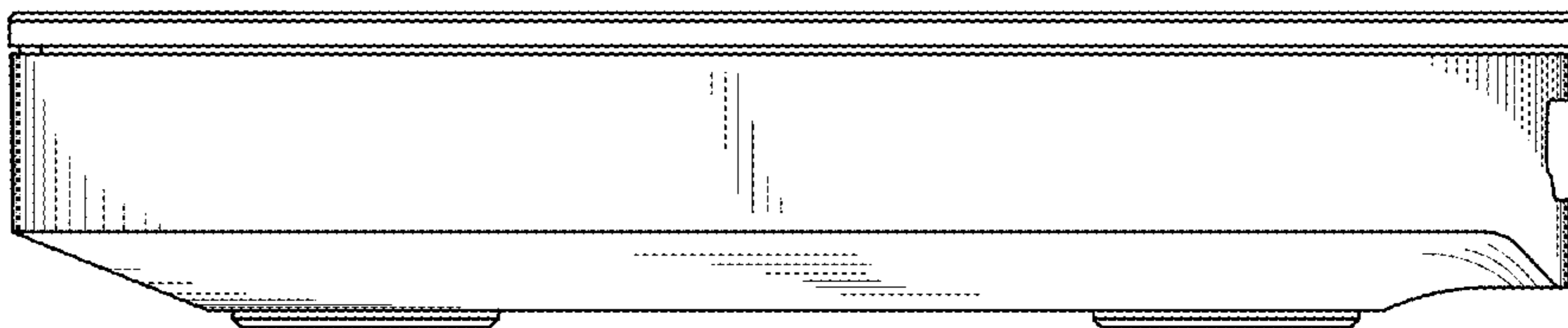


Fig. 6

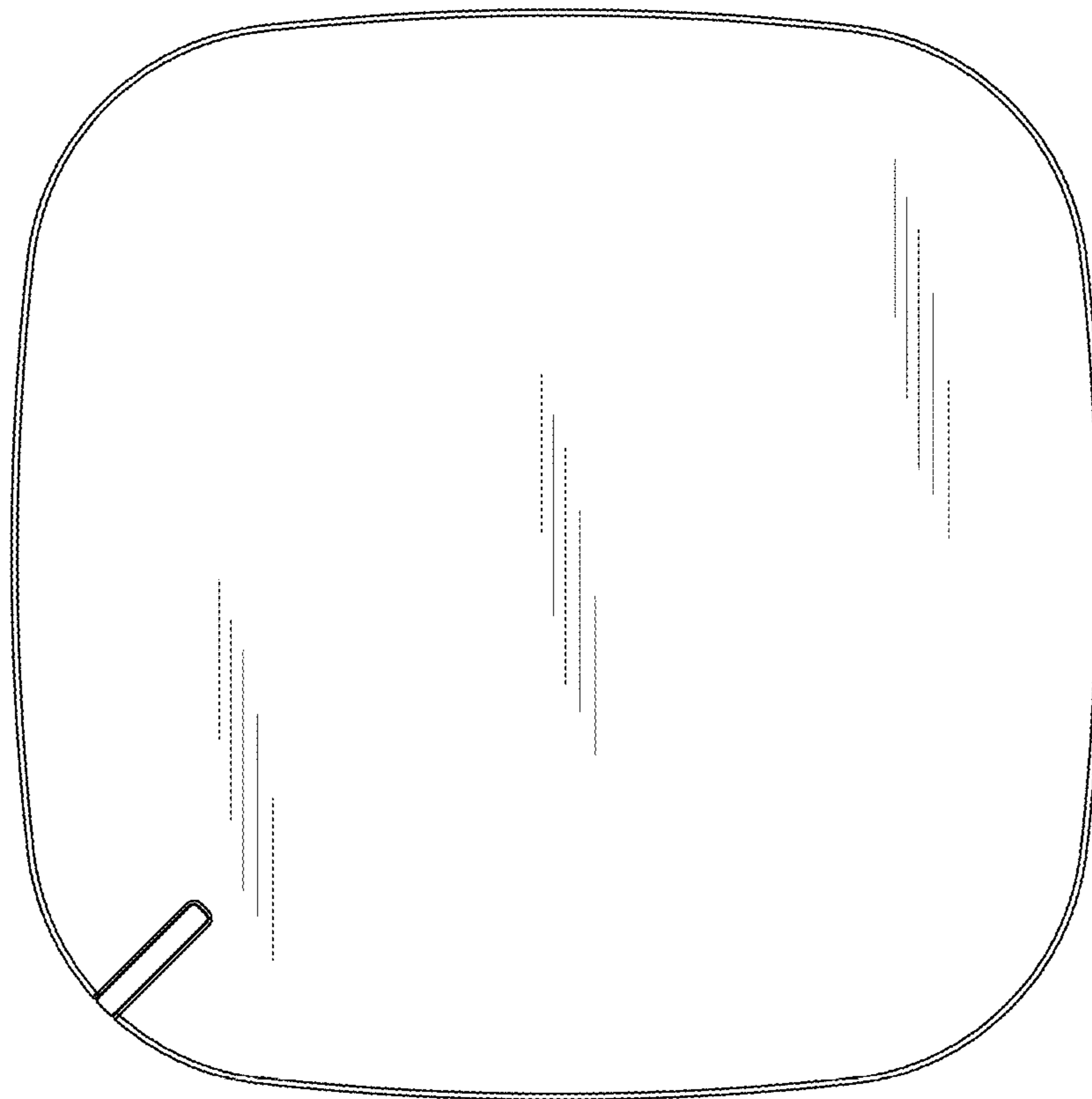


Fig. 7

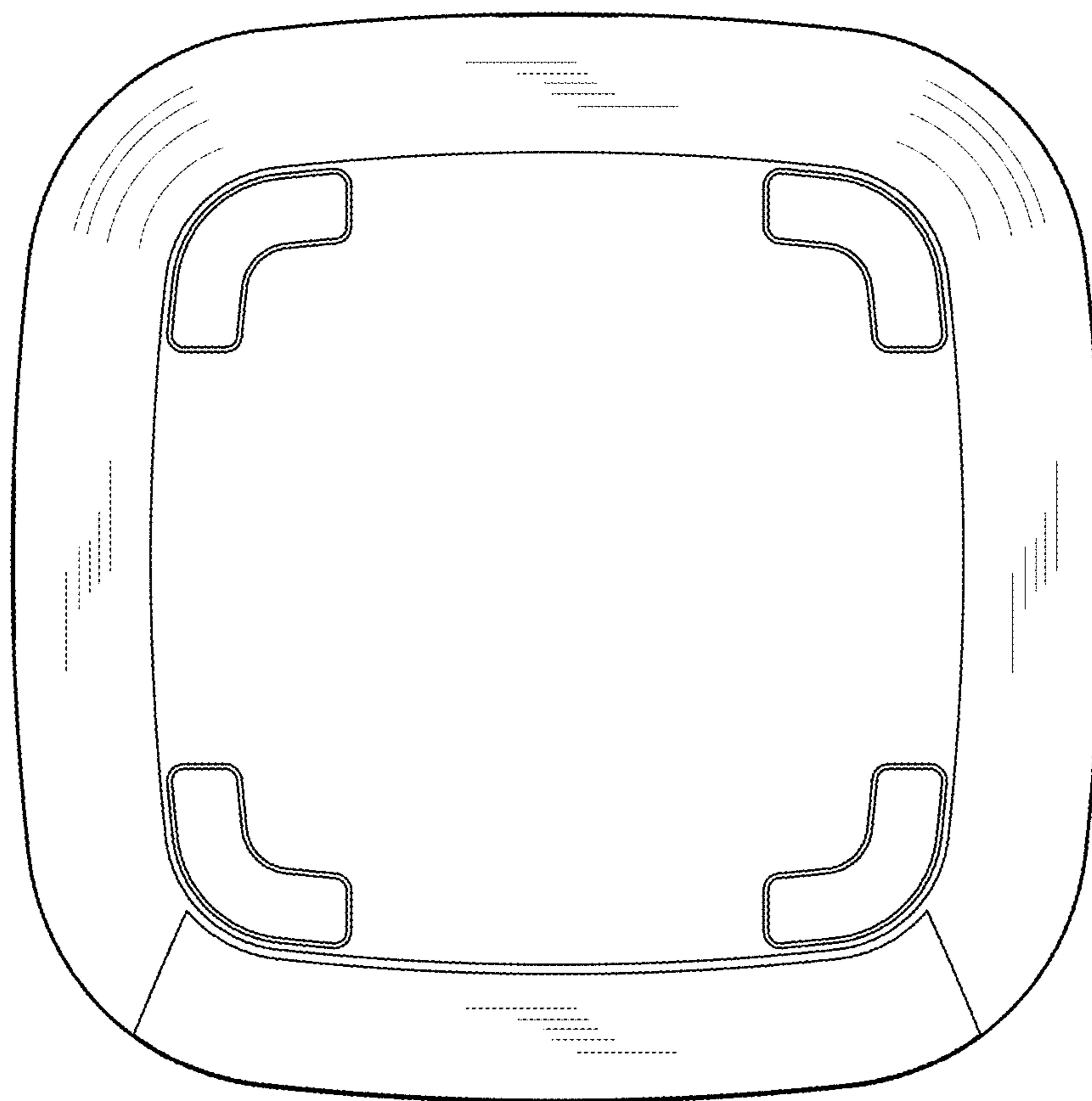


Fig. 8

