



US00D768588S

(12) **United States Design Patent** (10) **Patent No.:** **US D768,588 S**
Adhia et al. (45) **Date of Patent:** **** Oct. 11, 2016**

(54) **VIRTUAL HOLOGRAPHIC DISPLAY DEVICE**
(71) Applicant: **H Plus Technologies Ltd.**, Vancouver (CA)
(72) Inventors: **Dhruv Adhia**, Vancouver (CA); **Yamin Li**, Vancouver (CA); **Vincent Yang**, Vancouver (CA)

D365,228 S * 12/1995 Grandstaff D6/661
D365,948 S * 1/1996 Borden D21/357
D383,623 S * 9/1997 Goodwin D30/101
D383,922 S * 9/1997 Goodwin D6/661.2
D486,012 S * 2/2004 Gray D6/661.2
D518,291 S * 4/2006 Zou D3/255
D559,298 S * 1/2008 Sukenari D16/135
D565,081 S * 3/2008 Ishikawa D16/221
D611,726 S * 3/2010 DeVelde D6/661
D629,827 S * 12/2010 Morenstein D16/221

* cited by examiner

(73) Assignee: **H Plus Technologies Ltd.**, Vancouver, British Columbia (CA)

Primary Examiner — Randall Gholson

(**) Term: **15 Years**

(74) *Attorney, Agent, or Firm* — Klarquist Sparkman, LLP

(21) Appl. No.: **29/531,601**

(22) Filed: **Jun. 26, 2015**

(57) **CLAIM**

We claim the ornamental design for a virtual holographic display device, as shown and described.

(30) **Foreign Application Priority Data**

Jun. 17, 2015 (CA) 162989

DESCRIPTION

(51) **LOC (10) Cl.** **14-03**

(52) **U.S. Cl.**
USPC **D14/125**

(58) **Field of Classification Search**
USPC D14/125, 357-358, 496, 188, 242, 432;
D13/184; 348/10, 460, 706, 731;
340/825.03; 455/6.1, 6.2; 312/223.1,
312/7.2

CPC H04N 5/50; H04N 5/64; H05K 5/02;
H05K 5/03; G06F 1/16

See application file for complete search history.

FIG. 1 is a front perspective view of a virtual hologram display device.

FIG. 2 is a front elevation view of the virtual hologram display device of FIG. 1.

FIG. 3 is a right side elevation view of the virtual hologram display device of FIG. 1.

FIG. 4 is a left side elevation view of the virtual hologram display device of FIG. 1.

FIG. 5 is a rear elevation view of the virtual hologram display device of FIG. 1.

FIG. 6 is a top plan view of the virtual hologram display device of FIG. 1; and,

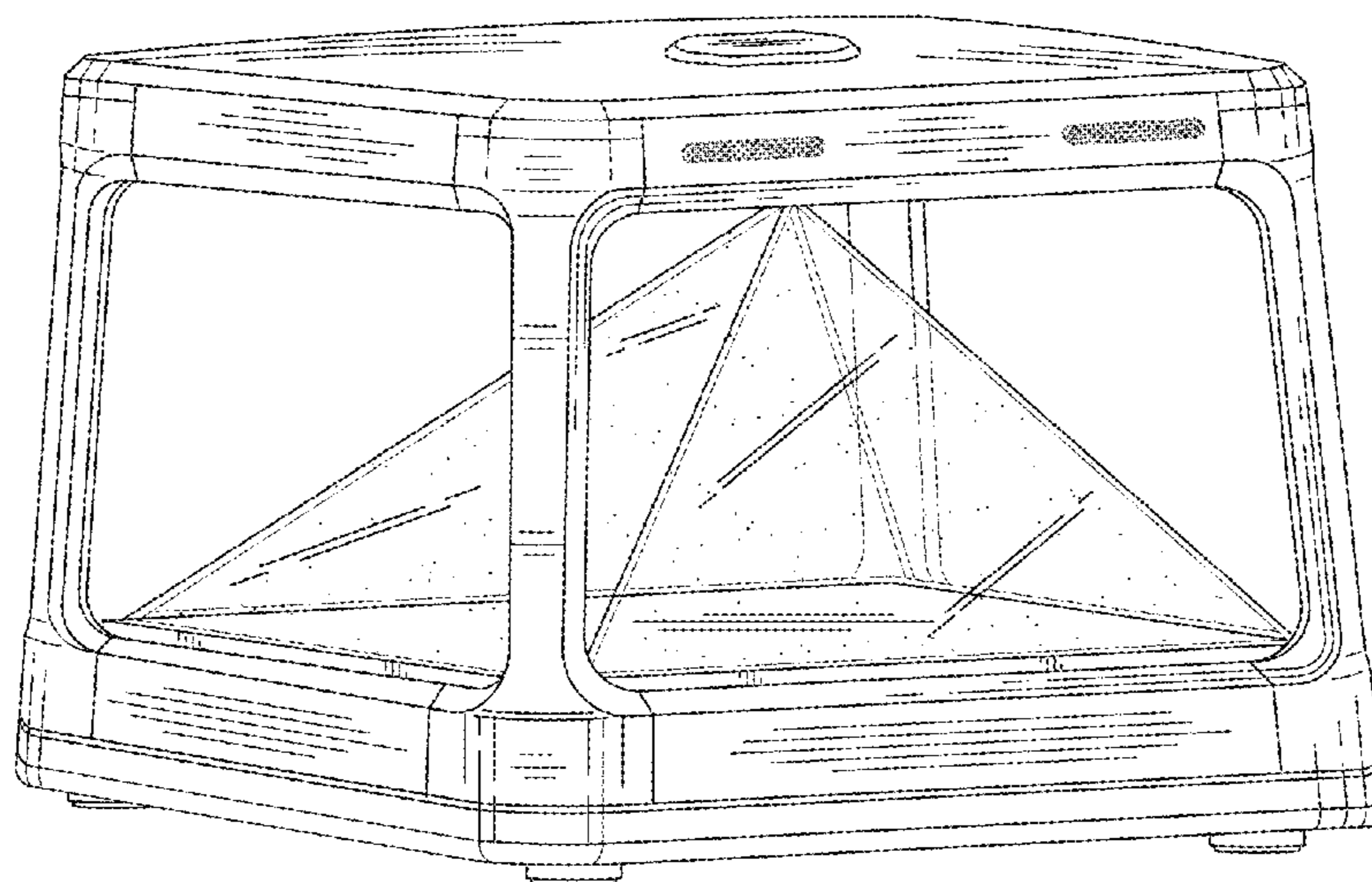
FIG. 7 is a bottom view of the virtual hologram display device of FIG. 1.

(56) **References Cited**

U.S. PATENT DOCUMENTS

D285,000 S * 8/1986 Stratton D16/221
D351,518 S * 10/1994 Burgess D6/661

1 Claim, 7 Drawing Sheets



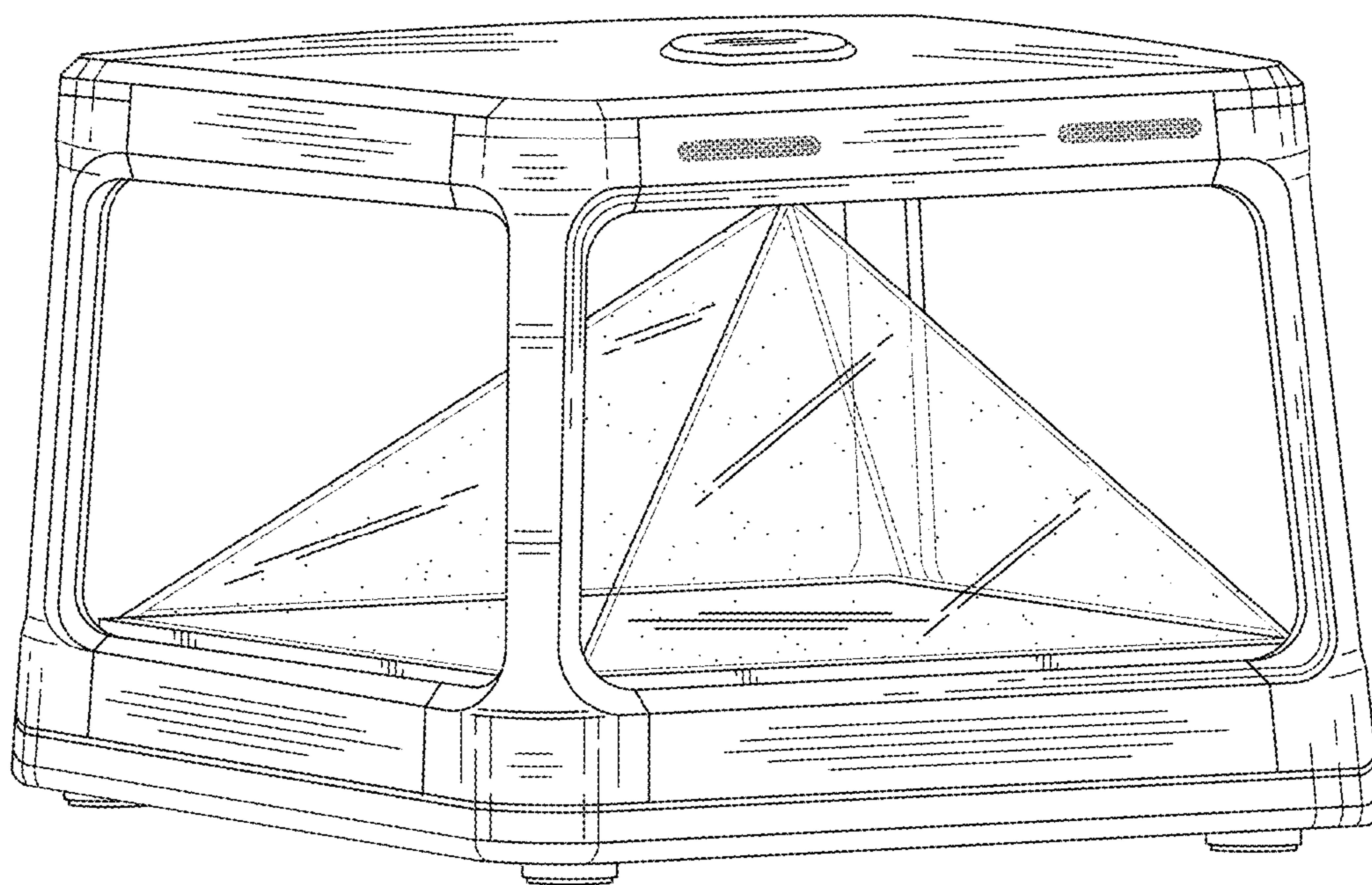


FIG. 1

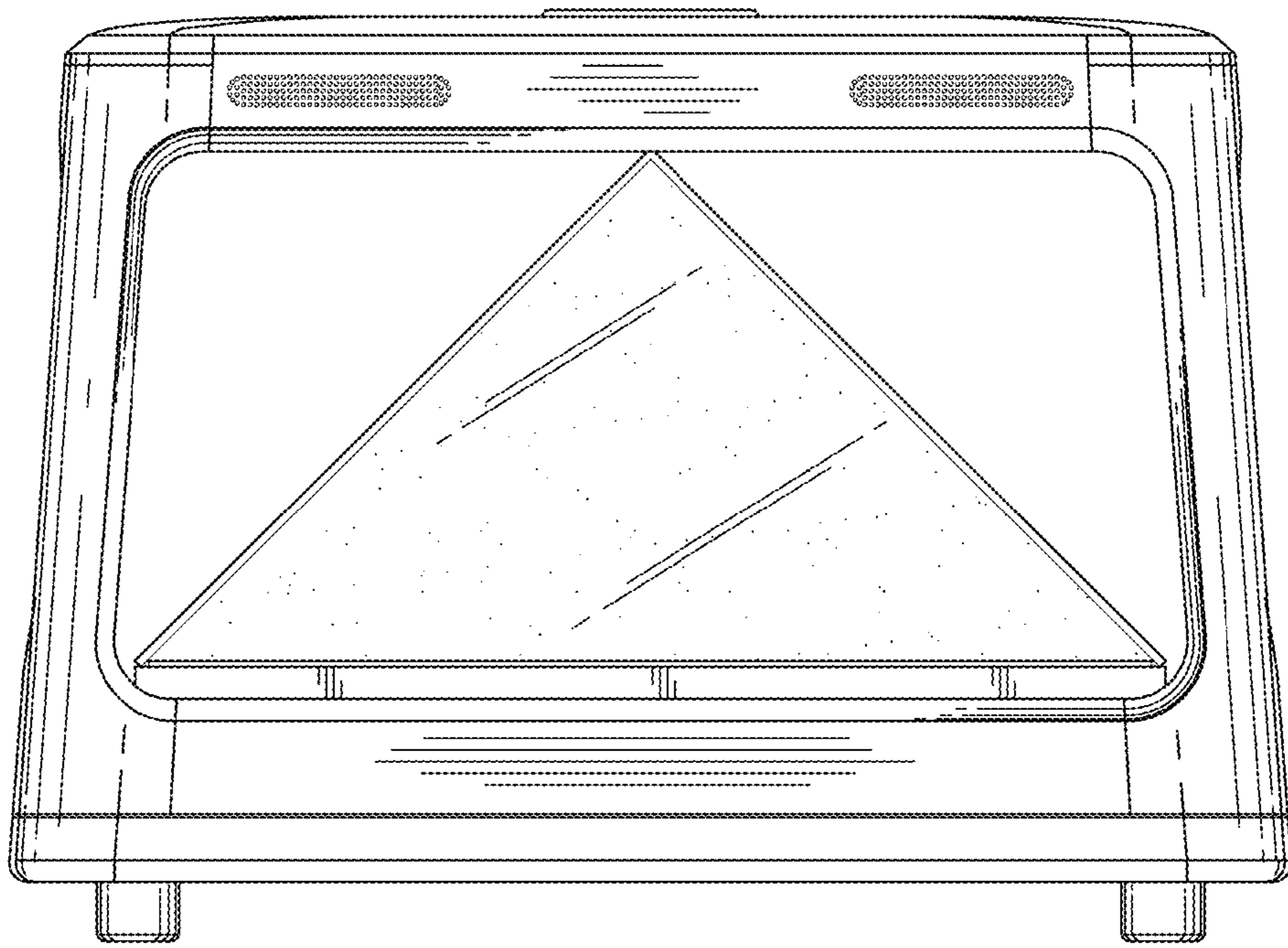


FIG. 2

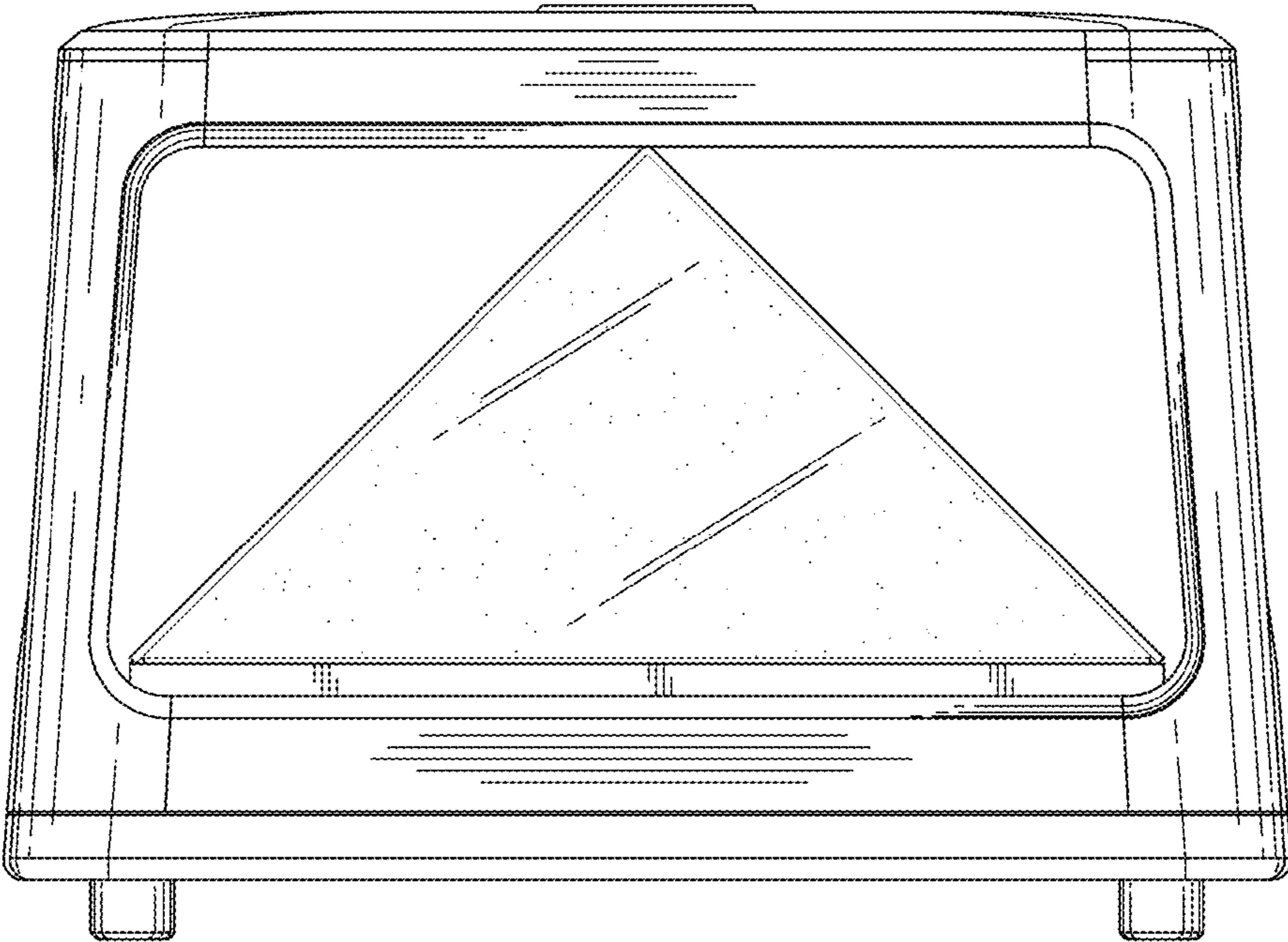


FIG. 3

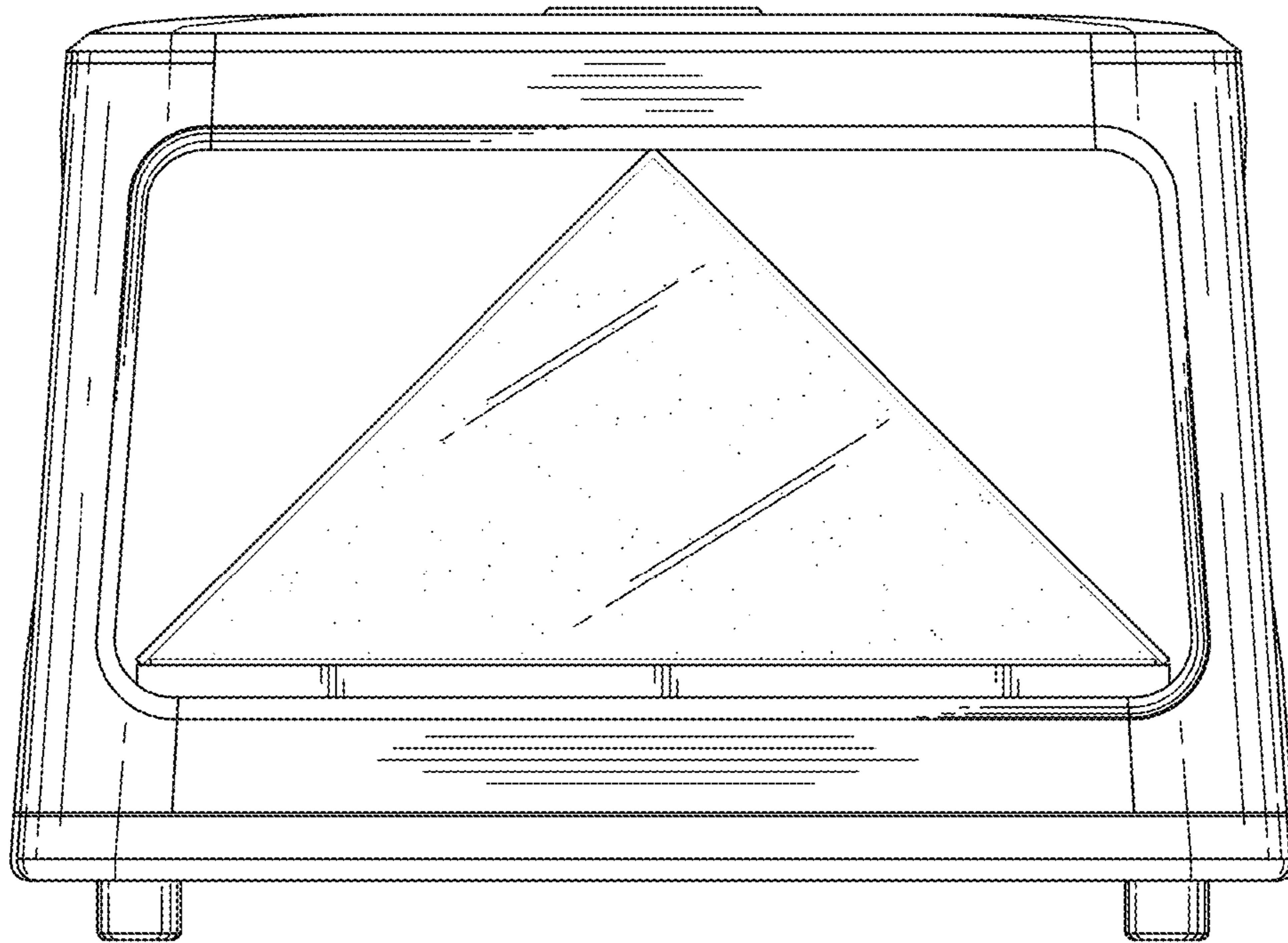


FIG. 4

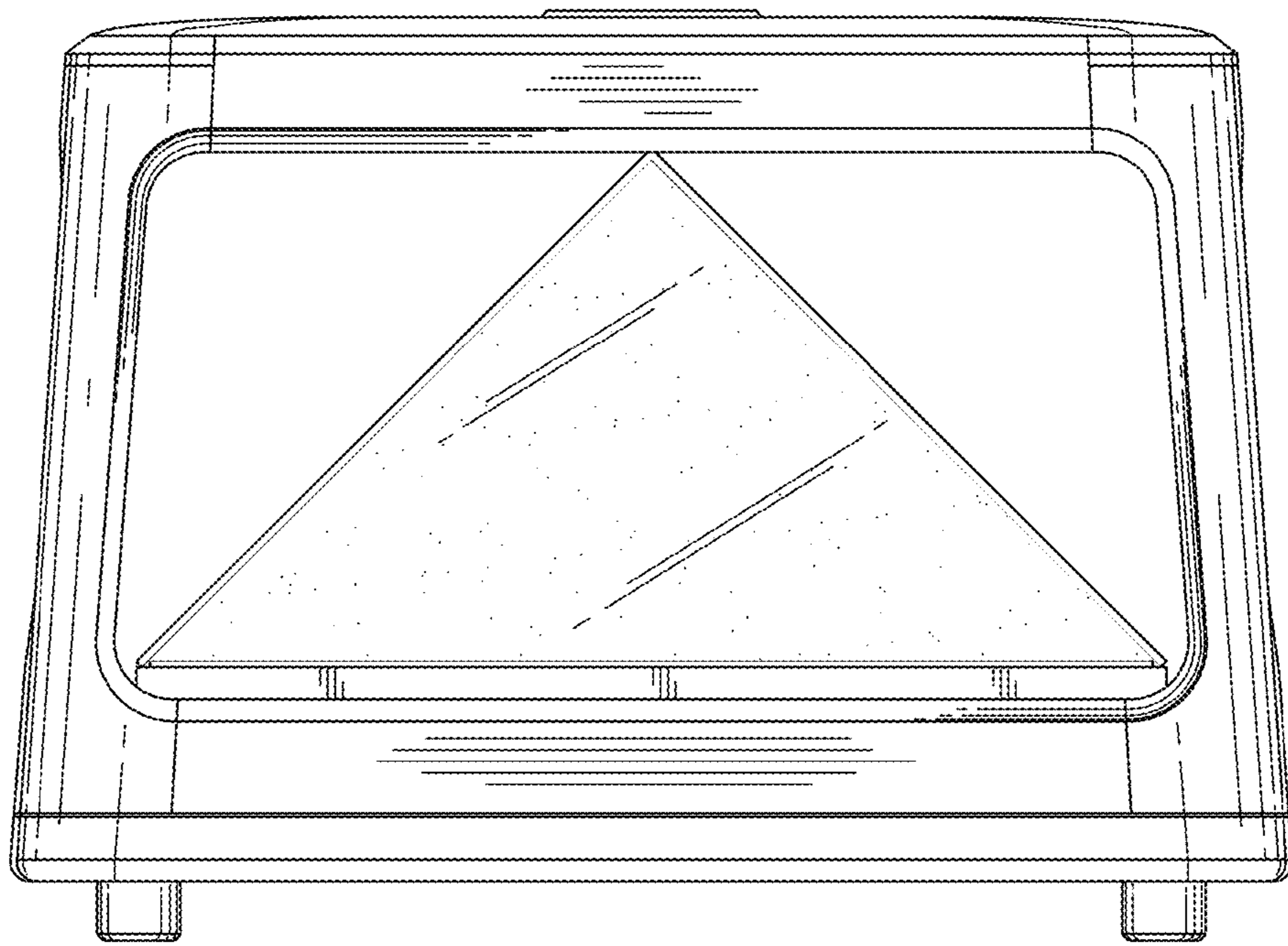


FIG. 5

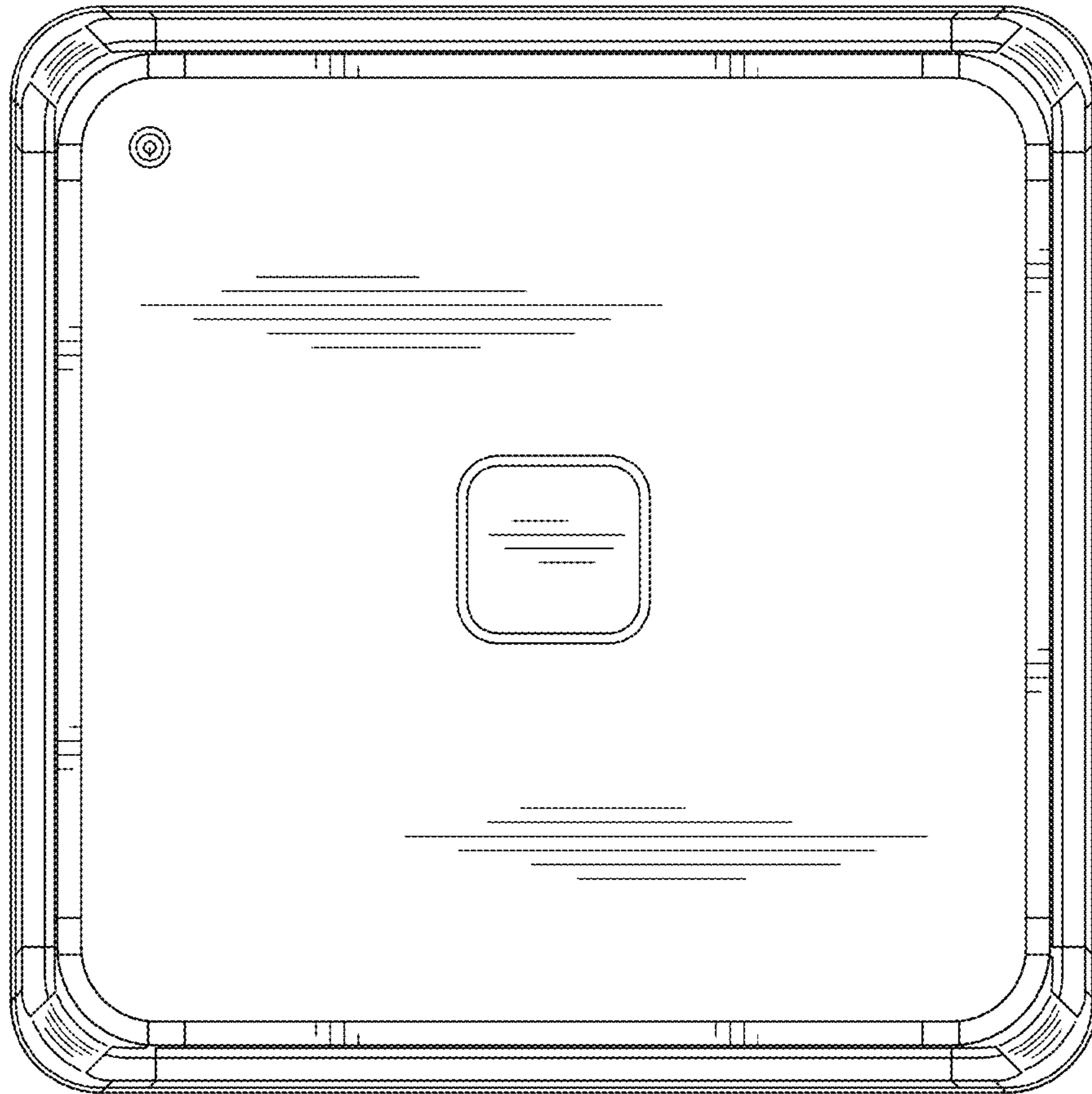


FIG. 6

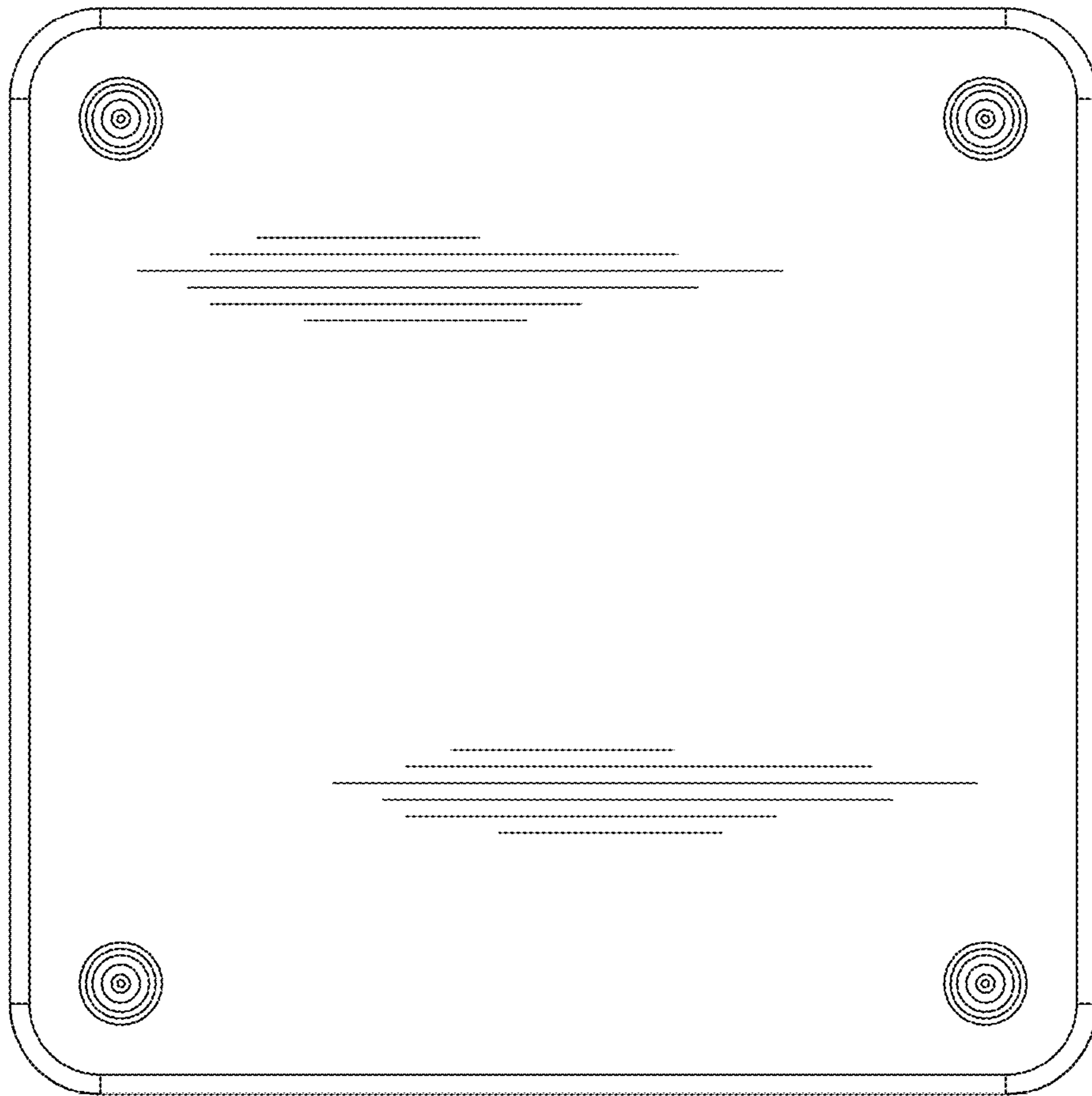


FIG. 7