



US00D768586S

(12) **United States Design Patent**
Christianson et al.

(10) **Patent No.:** **US D768,586 S**

(45) **Date of Patent:** **** Oct. 11, 2016**

(54) **CONTROLLER DEVICE**

(71) Applicant: **Cinch Systems, Inc.**, St. Michael, MN (US)

(72) Inventors: **Joel Curtis Christianson**, Corcoran, MN (US); **William Williamson**, St. Michael, MN (US); **Michael E. Loukusa**, Buffalo, MN (US)

(73) Assignee: **Cinch Systems, Inc.**, St. Michael, MN (US)

(**) Term: **15 Years**

(21) Appl. No.: **29/529,284**

(22) Filed: **Jun. 5, 2015**

(51) **LOC (10) Cl.** **13-03**

(52) **U.S. Cl.**

USPC **D13/184**; D10/106.1

(58) **Field of Classification Search**

USPC D13/152, 156, 158, 177, 184;
D10/104.1, 106.1, 106.95; D14/240;
174/50, 67

CPC H01H 9/02; H01H 9/287; H01H 83/04;
H02G 3/08; H02G 3/081; H02G 3/088;
H02G 3/14; H02G 3/121; G08B 25/12;
G08B 29/18

See application file for complete search history.

(56) **References Cited**

U.S. PATENT DOCUMENTS

D367,646	S	*	3/1996	Schneider	D13/152
D377,652	S	*	1/1997	Sarkiniemi	D13/184
D399,190	S	*	10/1998	Dale	D13/184
D400,512	S	*	11/1998	Korhonen	D13/184
6,007,353	A	*	12/1999	Webster	H01R 13/447 439/142
D424,028	S	*	5/2000	Vaiani	D13/184
D428,602	S	*	7/2000	Taylor	D13/156
6,114,625	A	*	9/2000	Hughes	H02G 3/081 174/50
D438,532	S	*	3/2001	Gargani	D14/240

D450,664	S	*	11/2001	Smith	D13/177
D500,746	S	*	1/2005	Gavel	D13/184
D543,513	S	*	5/2007	Allen	D13/184
7,572,975	B2	*	8/2009	Ruihley	H02G 3/10 174/50
D634,720	S	*	3/2011	Cheng	D13/184
7,915,528	B2	*	3/2011	Ni	H01R 13/5213 174/50
7,968,794	B1	*	6/2011	Baldwin	H02G 3/18 174/66
D656,050	S	*	3/2012	Botelho	D10/106.95
D669,440	S	*	10/2012	Wu	D13/162
D695,640	S	*	12/2013	George	D10/106.1
8,816,201	B1	*	8/2014	Shotey	H02G 3/14 174/66
D722,975	S	*	2/2015	Debone	D13/152
8,963,001	B2	*	2/2015	Shotey	H02G 3/14 174/481
9,219,357	B1	*	12/2015	Elbaz	H02G 3/081
2004/0074656	A1	*	4/2004	Bloodworth	H02G 3/14 174/50

(Continued)

Primary Examiner — Selina Sikder

(74) *Attorney, Agent, or Firm* — Schwegman Lundberg & Woessner, P.A.

(57)

CLAIM

The ornamental design for a controller device, as shown and described.

DESCRIPTION

FIG. 1 is a top plan view of a controller device, showing our new design.

FIG. 2 is a bottom plan view of the controller device.

FIG. 3 is a right side elevation view of the controller device.

FIG. 4 is a left side elevation view of the controller device.

FIG. 5 is a front elevation view of the controller device.

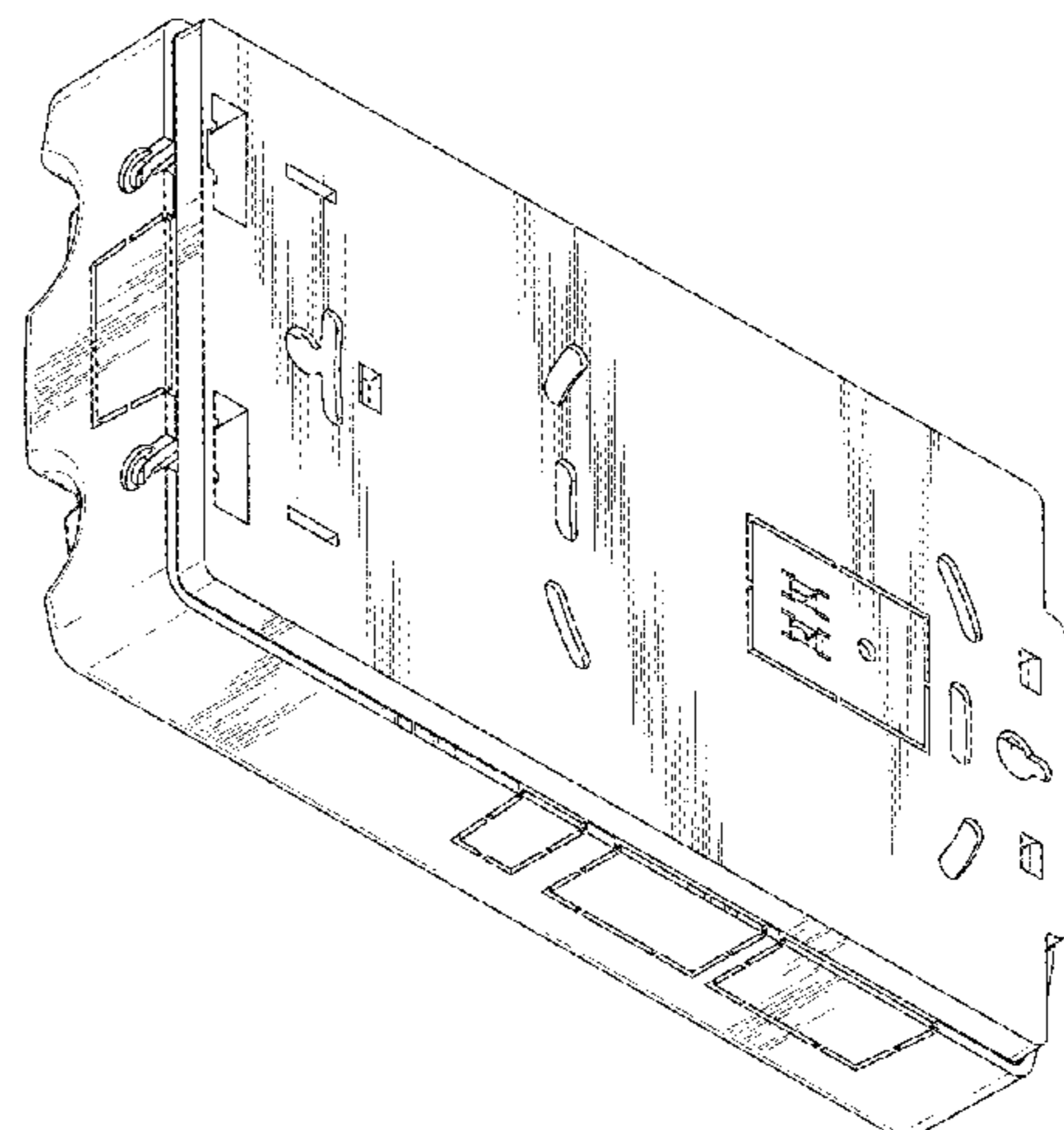
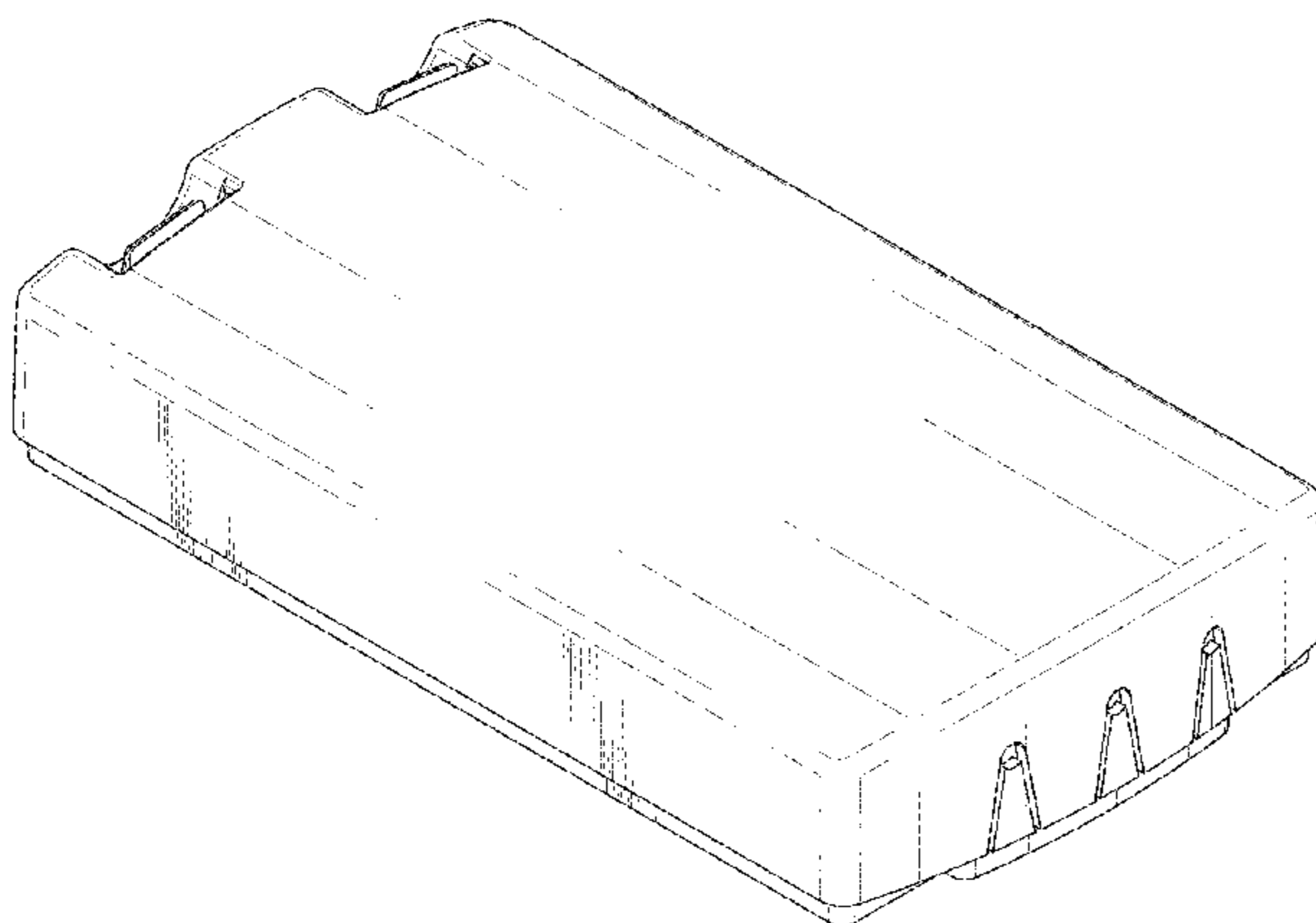
FIG. 6 is a rear elevation view of the controller device.

FIG. 7 is a top-right-front isometric view of the controller device; and,

FIG. 8 is a bottom-left-rear isometric view of the controller device.

The shade lines show contour and not surface ornamentation.

1 Claim, 7 Drawing Sheets



US D768,586 S

Page 2

(56)

References Cited

U.S. PATENT DOCUMENTS

2005/0078701	A1*	4/2005	Atkinson	H02G 3/14 370/463	2010/0078189	A1*	4/2010	Leopold	H02G 3/14 174/50.5
2008/0110661	A1*	5/2008	Dinh	H01R 13/5213 174/53	2010/0181091	A1*	7/2010	Drane	H02G 3/14 174/66
2009/0211778	A1*	8/2009	Drane	H02G 3/14 174/67	2015/0083485	A1*	3/2015	Jolly	H02G 3/081 174/520
2009/0211779	A1*	8/2009	Drane	H02G 3/14 174/67	2015/0122806	A1*	5/2015	Shotey	H02G 3/14 220/3.8

* cited by examiner

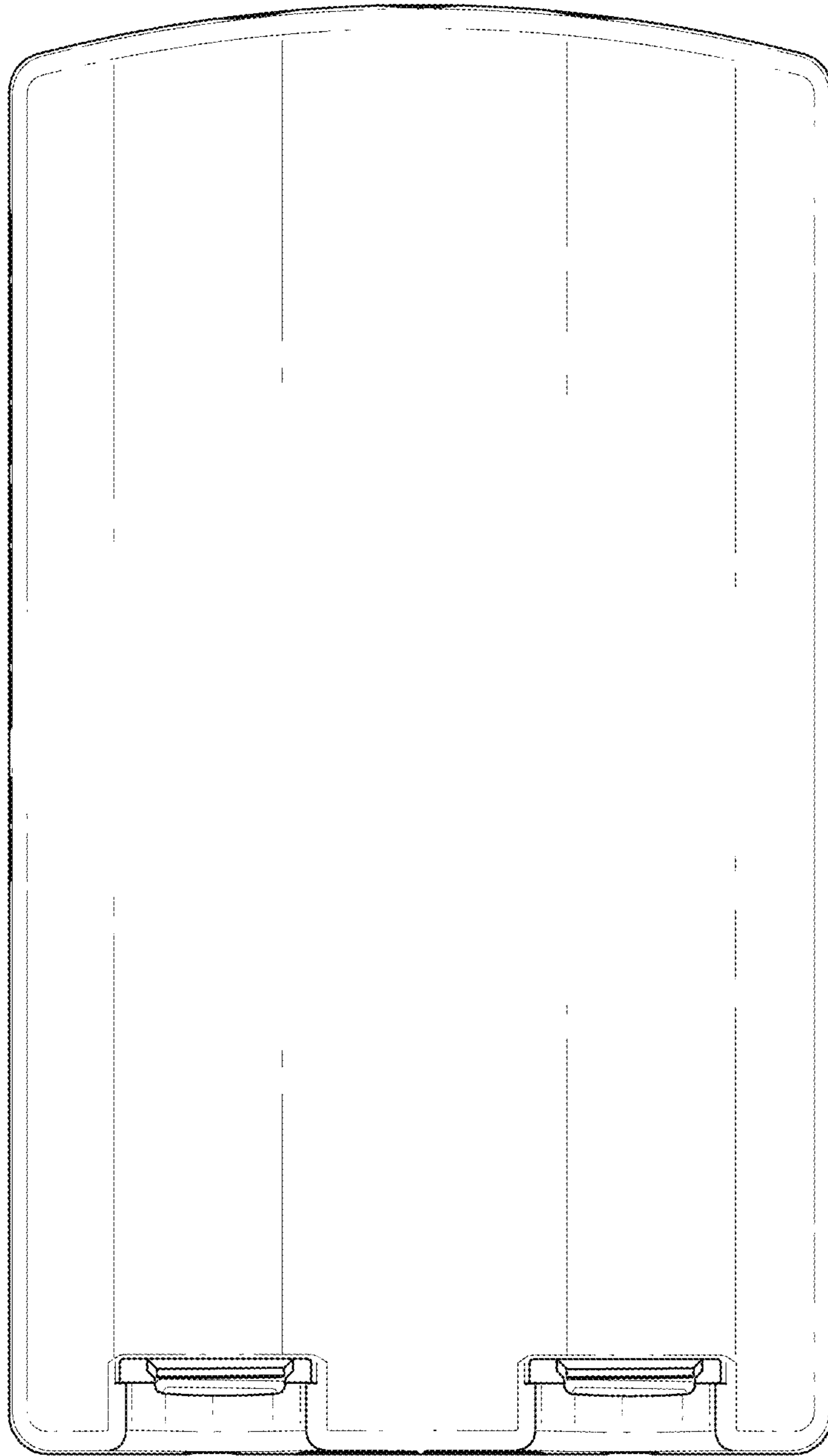


Fig. 1

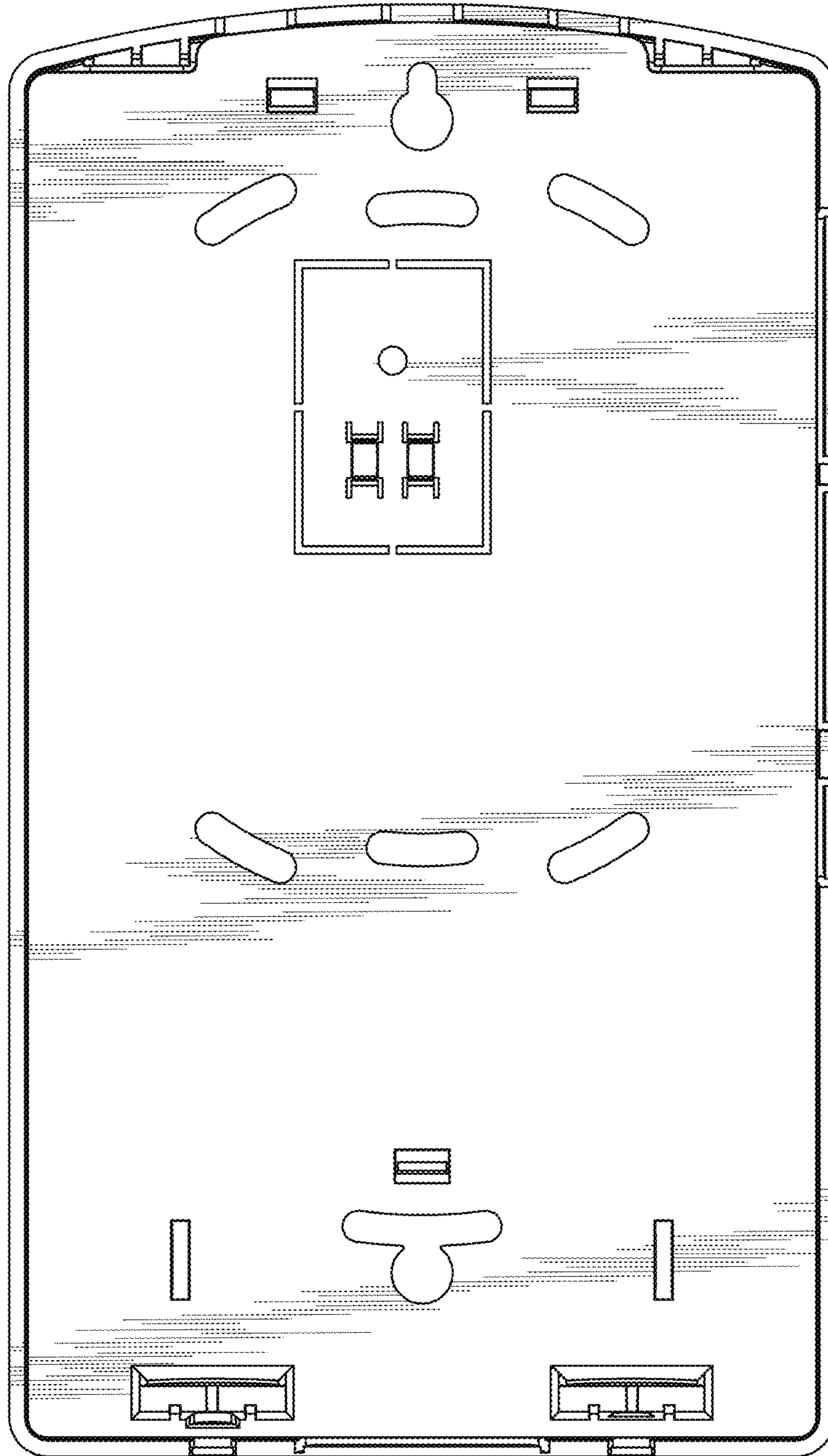


Fig. 2

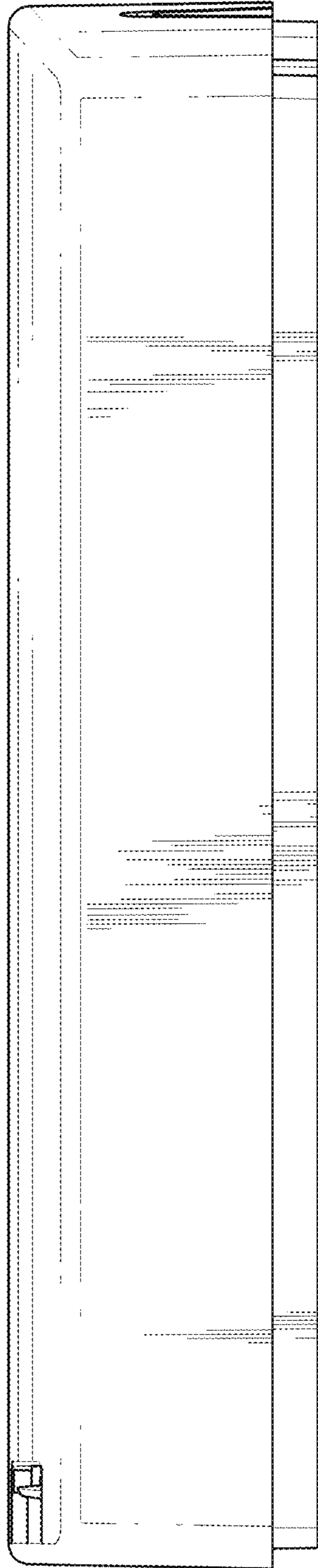


Fig. 3

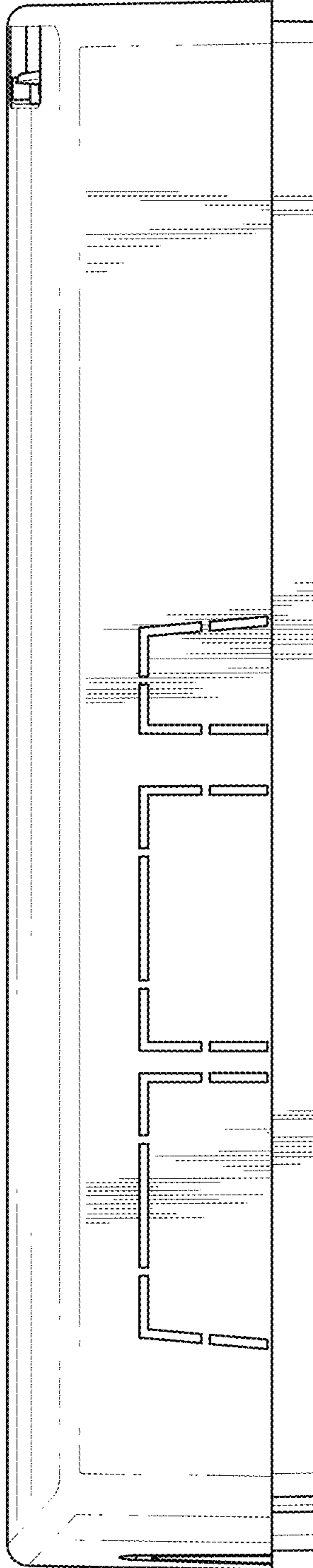


Fig. 4

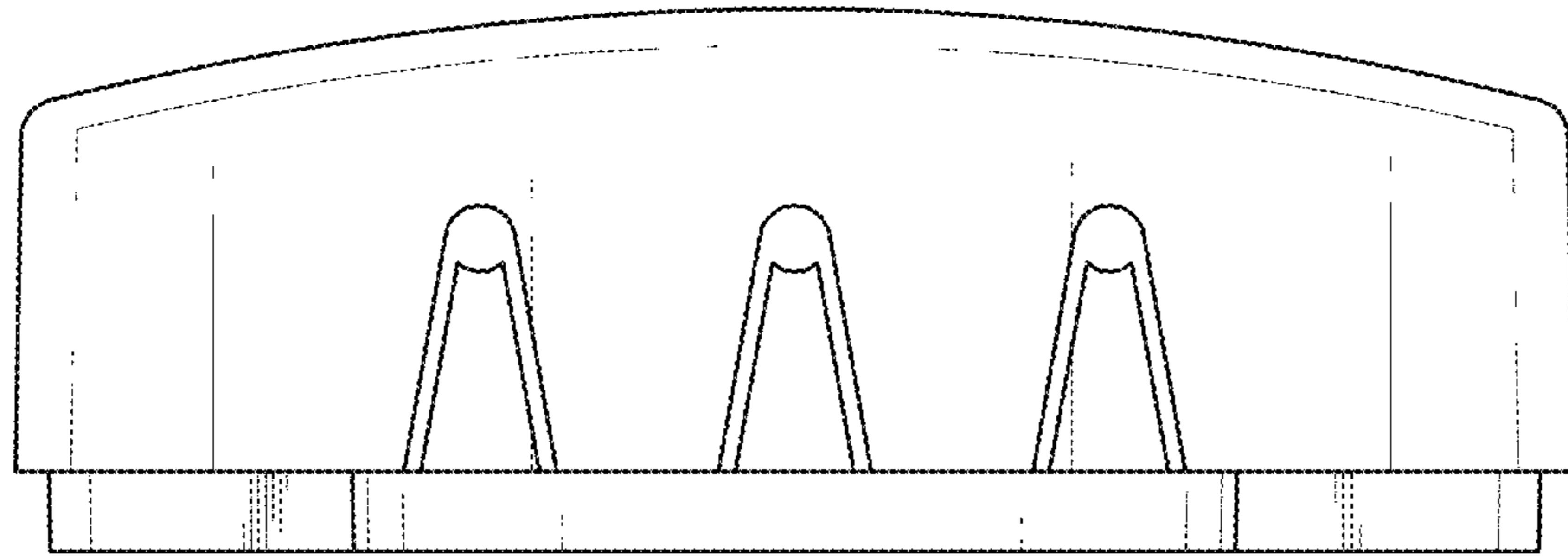


Fig. 5

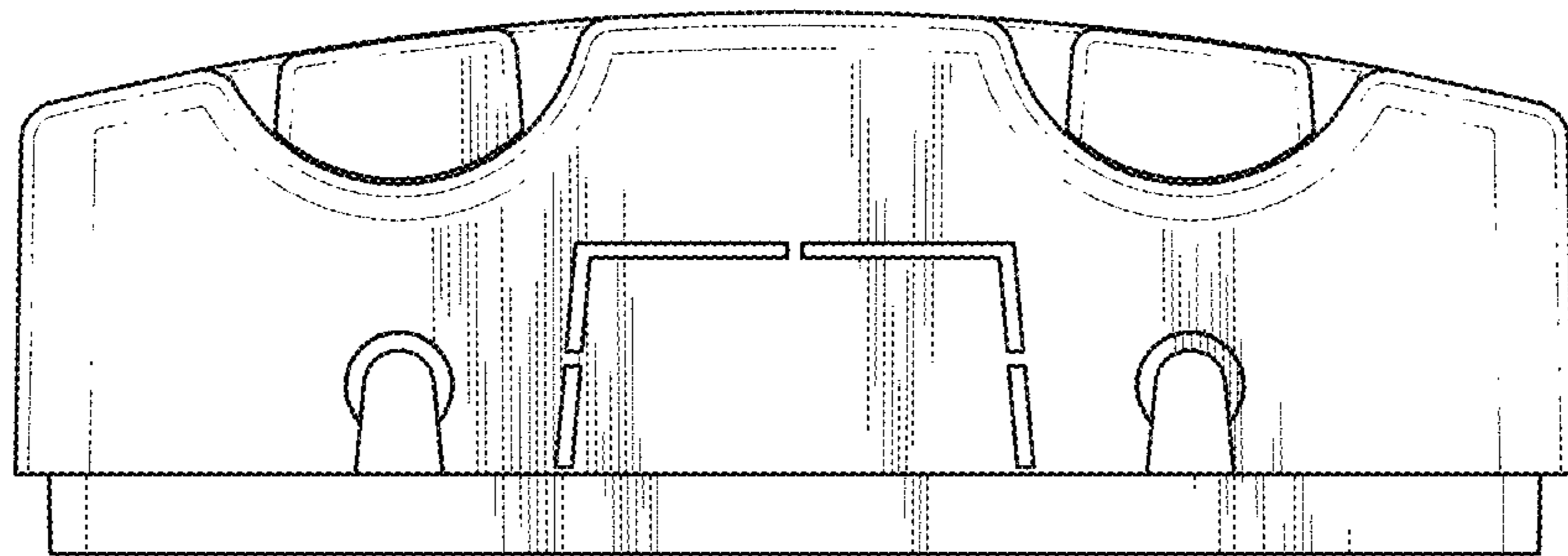


Fig. 6

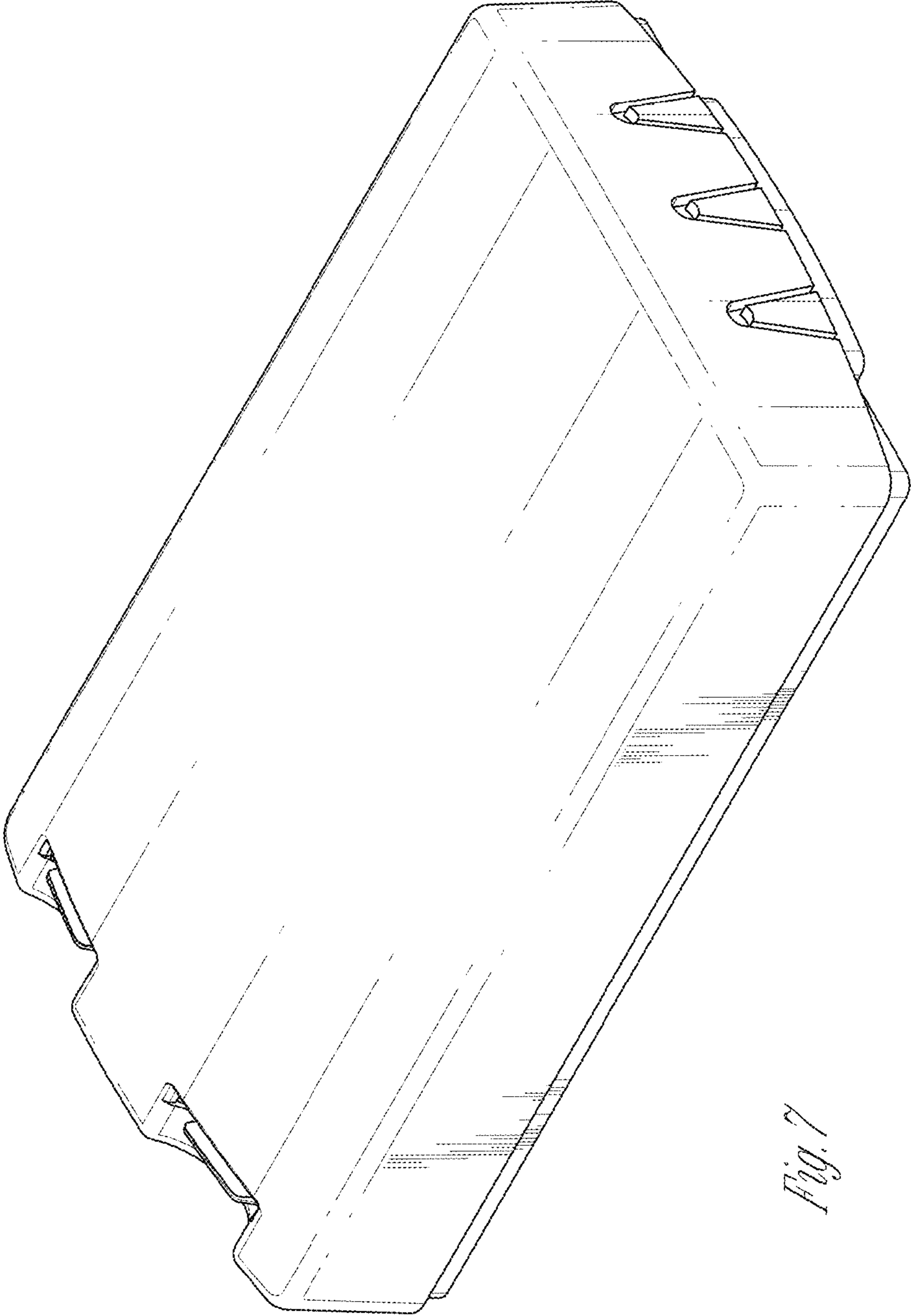


Fig. 7

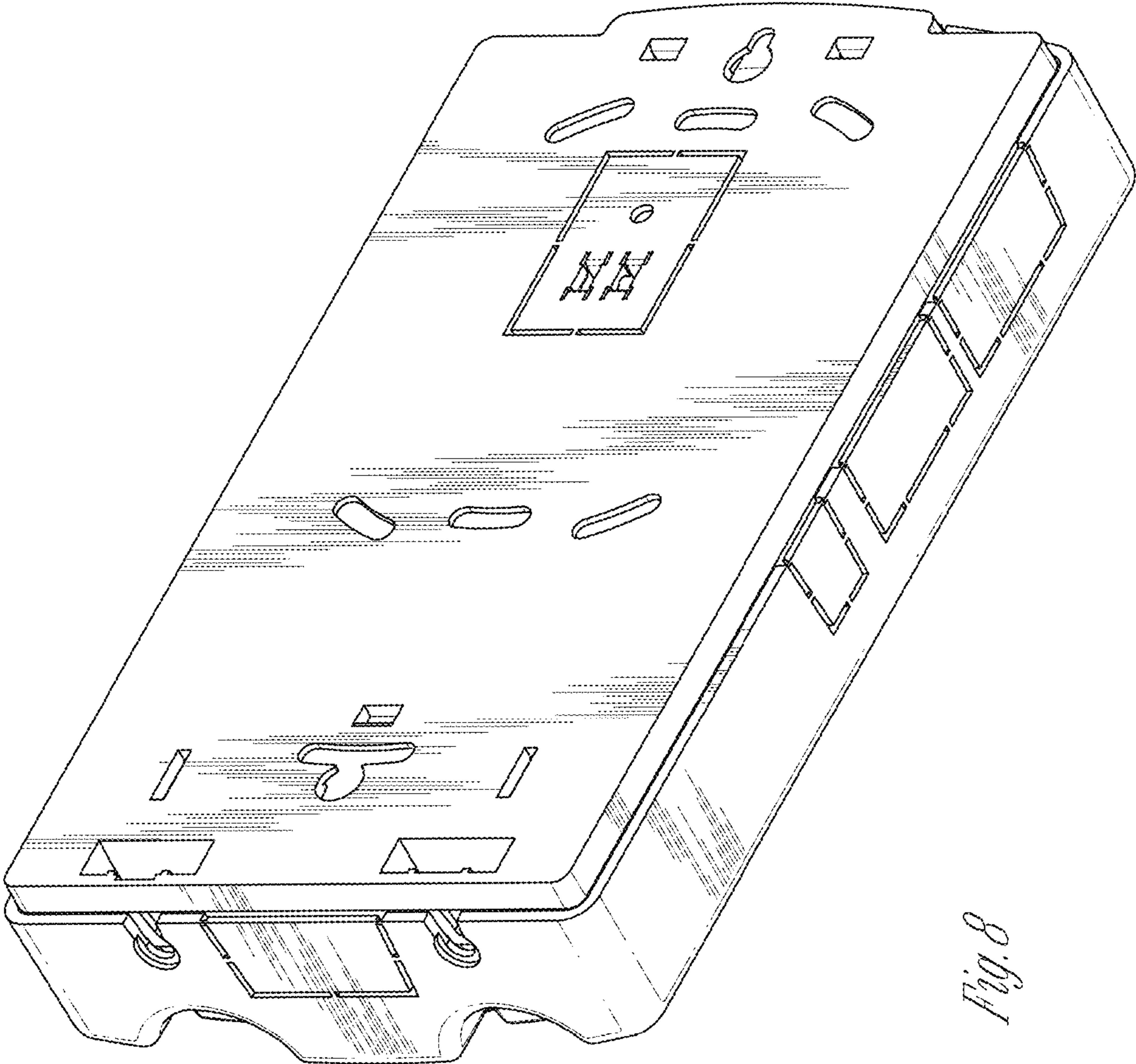


Fig. 8