



US00D768584S

(12) **United States Design Patent**
Kiridoshi et al.

(10) **Patent No.:** **US D768,584 S**
(45) **Date of Patent:** **** Oct. 11, 2016**

- (54) **LIGHT SOURCE MODULE**
- (71) Applicant: **MITSUBISHI ELECTRIC CORPORATION**, Tokyo (JP)
- (72) Inventors: **Satoru Kiridoshi**, Tokyo (JP); **Toshiaki Hanamura**, Tokyo (JP); **Masato Teranishi**, Tokyo (JP); **Keisuke Nakaguchi**, Tokyo (JP); **Hironobu Kawaguchi**, Tokyo (JP)
- (73) Assignee: **Mitsubishi Electric Corporation**, Tokyo (JP)
- (**) Term: **14 Years**
- (21) Appl. No.: **29/526,143**
- (22) Filed: **May 6, 2015**
- (30) **Foreign Application Priority Data**

Nov. 13, 2014 (JP) 2014-025339
 Nov. 13, 2014 (JP) 2014-025340

- (51) **LOC (10) Cl.** **13-03**
- (52) **U.S. Cl.**

USPC **D13/180**; D26/1

- (58) **Field of Classification Search**

USPC D13/180; D26/1, 72, 74, 118, 120, 122;
 D6/582; D32/57

CPC . H01L 25/167; H01L 25/0753; H01L 27/15;
 H01L 27/156; H01L 31/02; H01L 33/00;
 H01L 33/04; H01L 33/08; H01L 33/10;
 H01L 33/20; H01L 33/38; H01L 33/42;
 H01L 33/48; H01L 33/483; H01L 33/486;
 F21K 9/135; F21K 9/30; F21K 9/50; Y10S
 362/80

See application file for complete search history.

- (56) **References Cited**

U.S. PATENT DOCUMENTS

D299,871 S * 2/1989 Jennings D25/157
 D348,131 S * 6/1994 Bozzo D32/55

5,987,668 A * 11/1999 Ackley A47C 27/22
 428/159
 6,188,527 B1 * 2/2001 Bohn B29D 11/00365
 257/100
 D493,566 S * 7/2004 Yu D26/122
 D494,704 S * 8/2004 Yu D26/122
 D502,284 S * 2/2005 Egawa D26/122
 D517,725 S * 3/2006 Egawa D26/122
 7,201,511 B2 * 4/2007 Moriyama F21K 9/00
 257/668

(Continued)

Primary Examiner — Selina Sikder

(74) *Attorney, Agent, or Firm* — Studebaker & Brackett
 PC

(57) **CLAIM**

The ornamental design for a light source module, as shown and described.

DESCRIPTION

FIG. 1 is a front perspective view of the front, right, and bottom sides of a light source module showing a first embodiment of our new design;

FIG. 2 is a front view thereof;

FIG. 3 is an enlarged view at a part 3 shown in FIG. 1;

FIG. 4 is an enlarged view at a part 4 shown in FIG. 2;

FIG. 5 is an enlarged end view at a cut part 5 shown in FIG. 4, with omitting the interior mechanism.

FIG. 6 is a front perspective view of the front, right, and bottom sides of a light source module showing a second embodiment of our new design; and

FIG. 7 is a front view thereof;

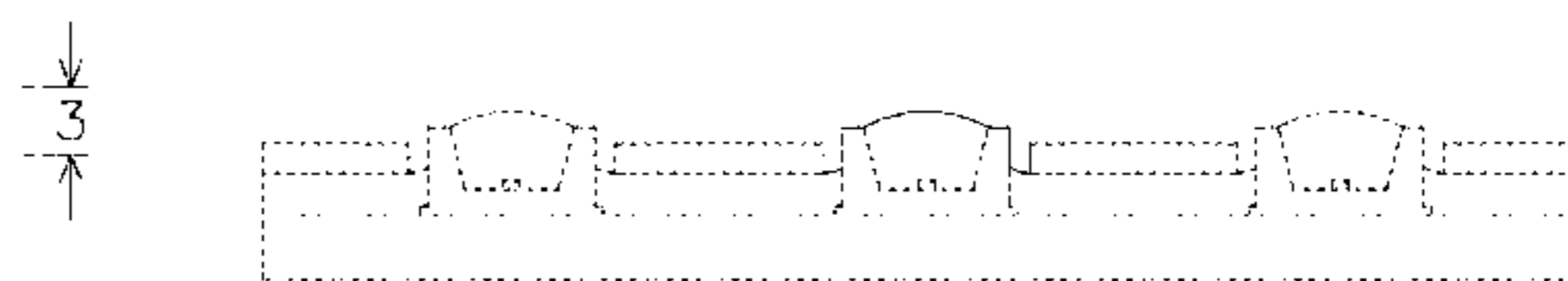
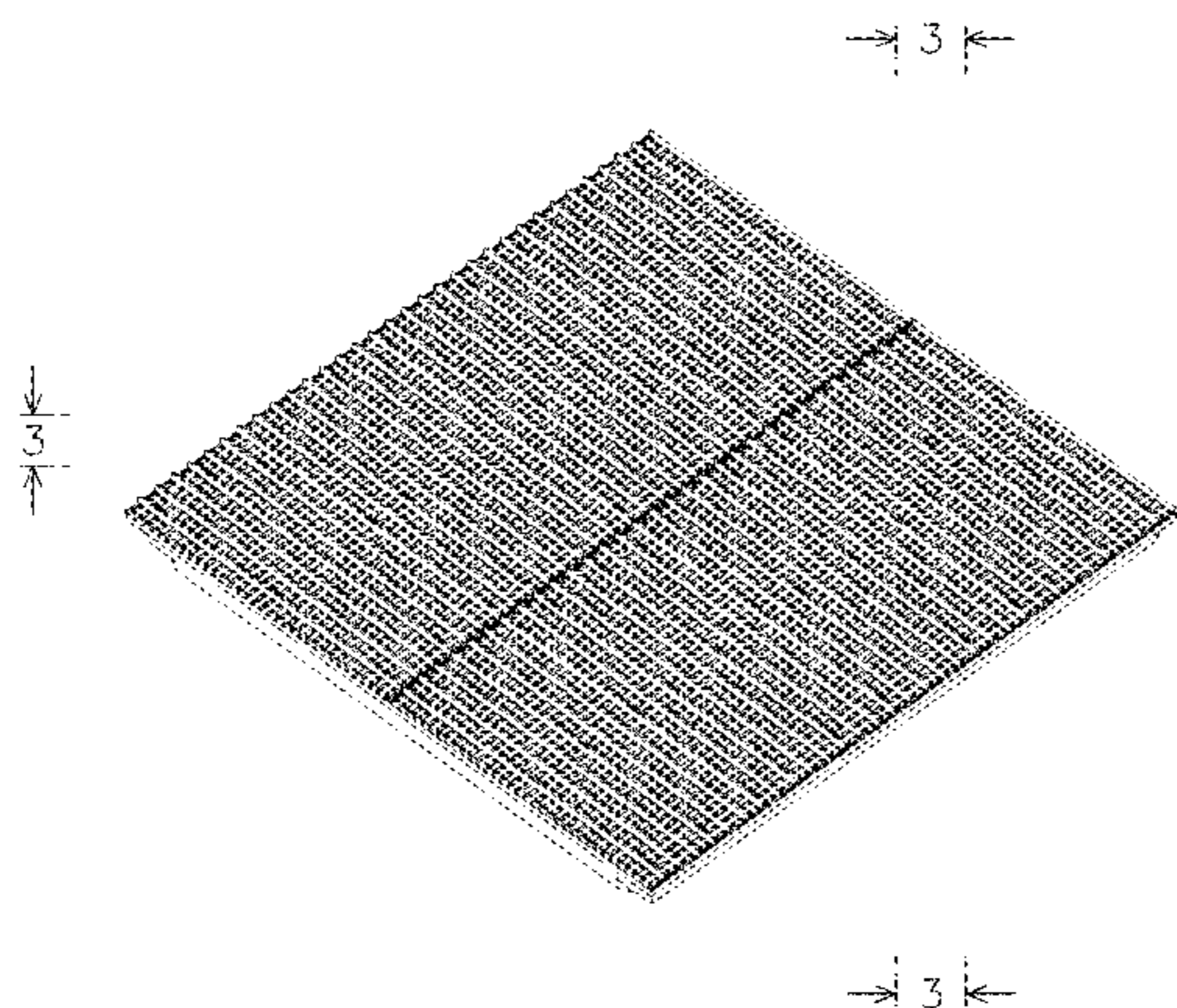
FIG. 8 is an enlarged view at a part 8 shown in FIG. 6;

FIG. 9 is an enlarged view at a part 9 shown in FIG. 7; and,

FIG. 10 is an enlarged end view at a cut part 10 shown in FIG. 9, with omitting the interior mechanism.

The broken lines shown represent unclaimed subject matter of the light source module and form no part of the claimed design. The dash-dot lines represent the boundary the claimed design and unclaimed design.

1 Claim, 10 Drawing Sheets



(56)

References Cited

U.S. PATENT DOCUMENTS

D552,566 S * 10/2007 Moriyama D13/180
 D581,120 S * 11/2008 Sofy D32/57
 7,587,776 B2 * 9/2009 Poulos A61G 7/05776
 5/713
 7,638,808 B2 * 12/2009 Owen H01L 25/0753
 257/100
 7,683,391 B2 * 3/2010 Wojnarowski H01L 33/08
 257/88
 D615,505 S * 5/2010 Butterworth D13/180
 D616,384 S * 5/2010 Chan D13/180
 7,710,031 B2 * 5/2010 Kashiwagi G02B 3/0031
 313/504
 D622,676 S * 8/2010 Yasuoka D13/180
 7,888,689 B2 * 2/2011 Kim H01L 33/486
 257/692
 7,902,568 B2 * 3/2011 Morikawa F21K 9/00
 257/100
 D646,015 S * 9/2011 Chiang D26/122
 D646,234 S * 10/2011 Yao D13/180
 D653,893 S * 2/2012 Huss D6/582
 D662,068 S * 6/2012 Yao D13/180
 D670,010 S * 10/2012 Lin D13/180
 D689,031 S * 9/2013 Donofrio D13/180
 D705,957 S * 5/2014 Lin D13/180
 D706,058 S * 6/2014 Robbins, III D6/582
 8,829,784 B2 * 9/2014 Inoue G02B 5/0231
 257/40

8,866,765 B2 * 10/2014 Wang G06F 3/0421
 345/173
 8,907,364 B2 * 12/2014 Bierhuizen H01L 33/486
 257/98
 D730,848 S * 6/2015 Lin D13/180
 D738,832 S * 9/2015 Hussell D13/180
 2003/0086030 A1 * 5/2003 Taniguchi G02B 6/005
 349/61
 2005/0157500 A1 * 7/2005 Chen F21V 29/004
 362/294
 2006/0033423 A1 * 2/2006 Nishimura G09F 13/20
 313/501
 2006/0087866 A1 * 4/2006 Ng G02F 1/133603
 362/612
 2007/0262340 A1 * 11/2007 Sumi H01L 25/0753
 257/100
 2008/0067527 A1 * 3/2008 Daniels F21K 9/00
 257/88
 2009/0147498 A1 * 6/2009 Park H01L 33/486
 362/84
 2009/0284951 A1 * 11/2009 Muschaweck G02B 27/0927
 362/97.1
 2013/0128581 A1 * 5/2013 Hsu F21V 19/0015
 362/249.02
 2014/0048828 A1 * 2/2014 Yang H01L 33/08
 257/89
 2015/0062915 A1 * 3/2015 Hussell F21K 9/50
 362/296.01
 2015/0204525 A1 * 7/2015 Shen H01L 33/62
 362/231

* cited by examiner

Fig.1

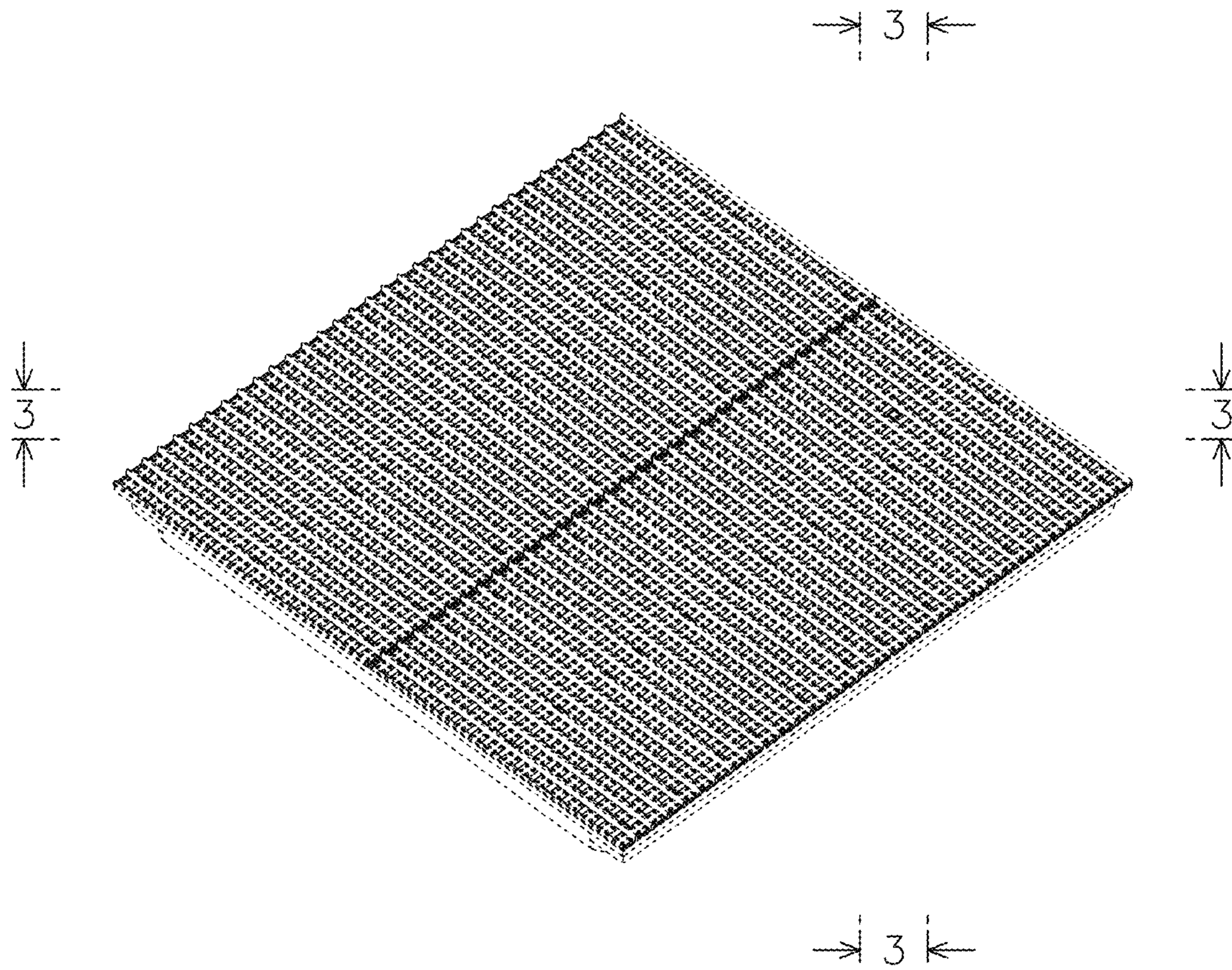


Fig.2

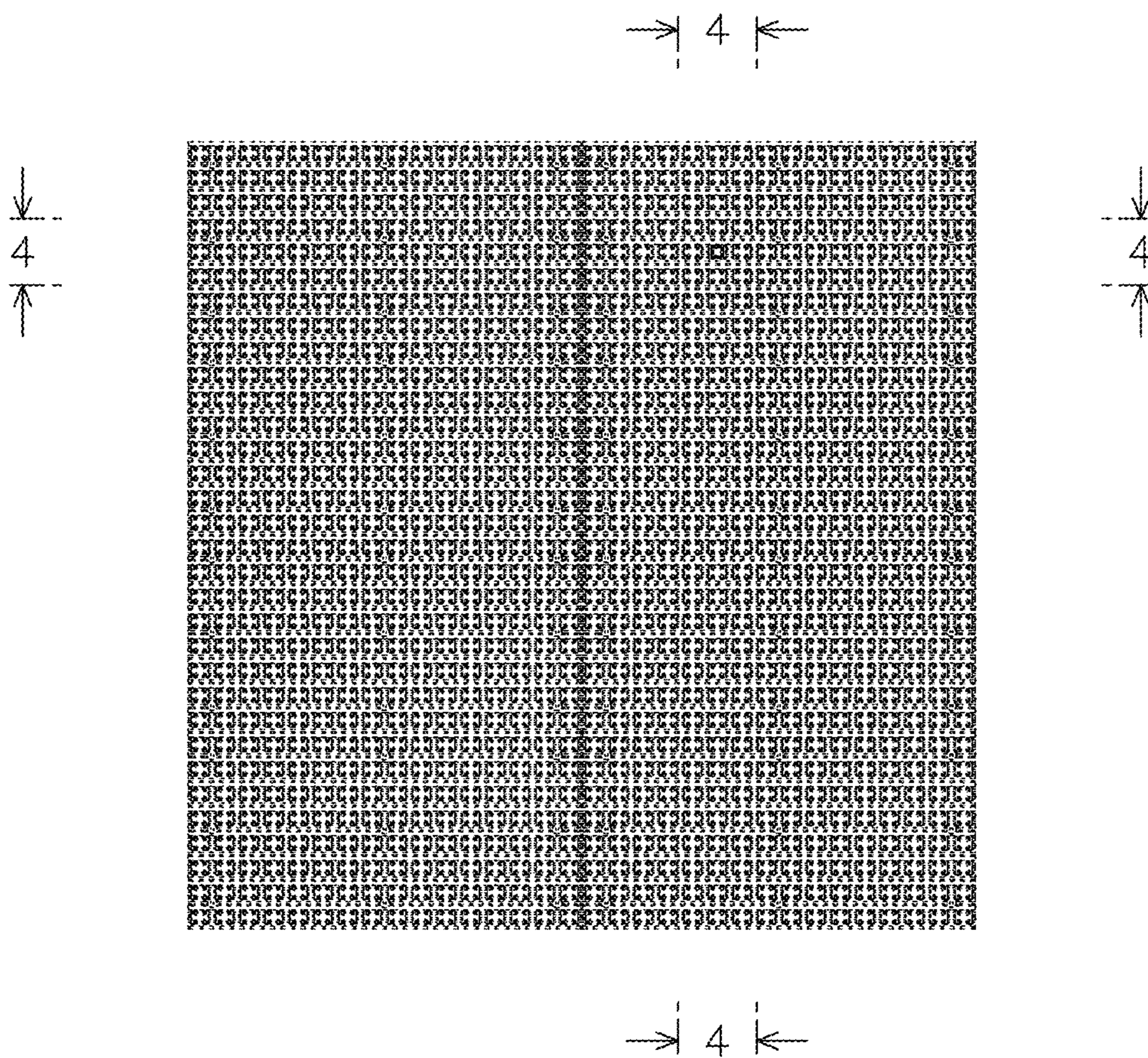


Fig.3

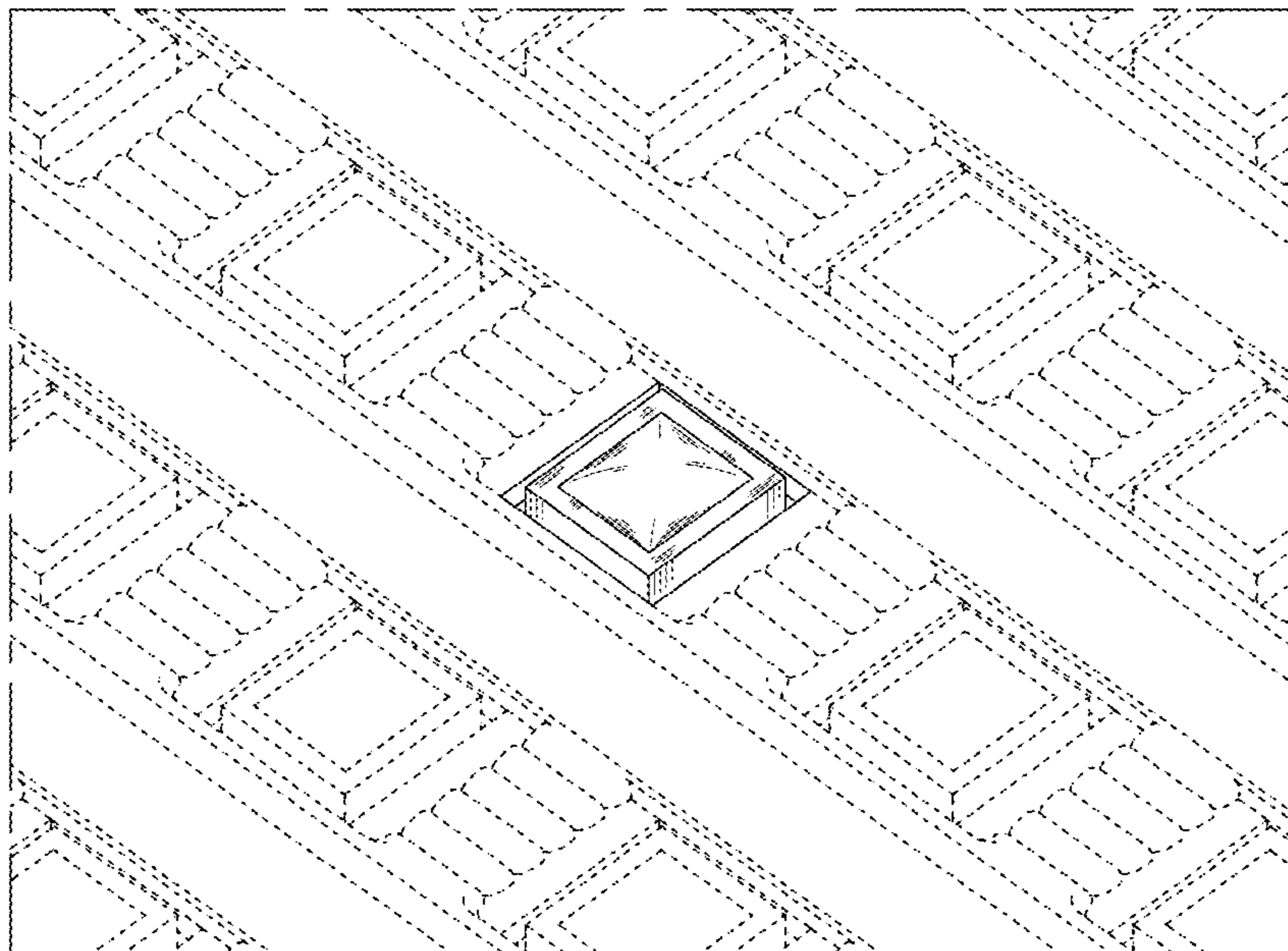


Fig.4

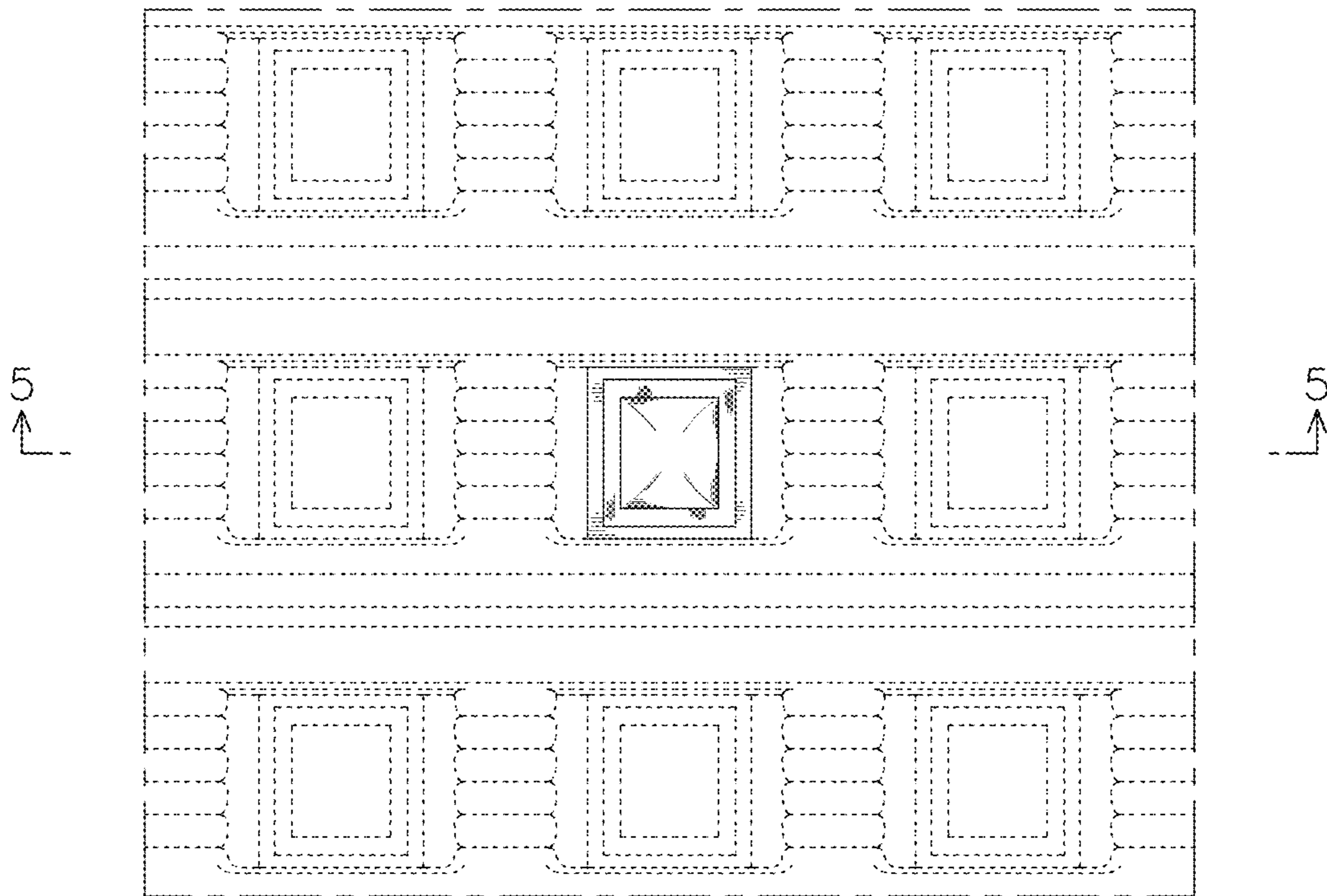


Fig.5

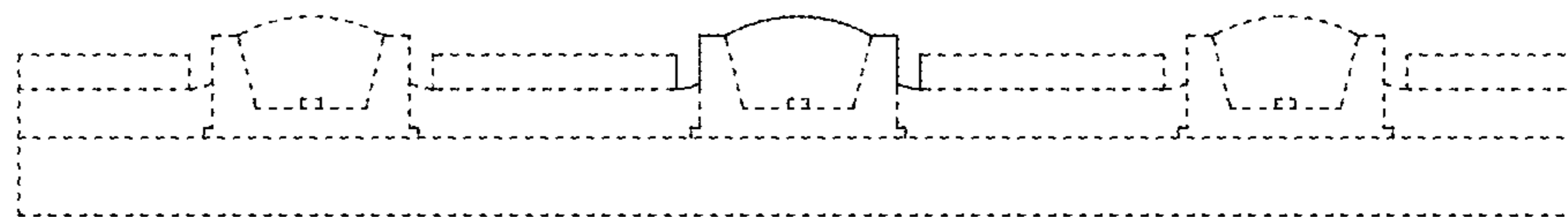


Fig.6

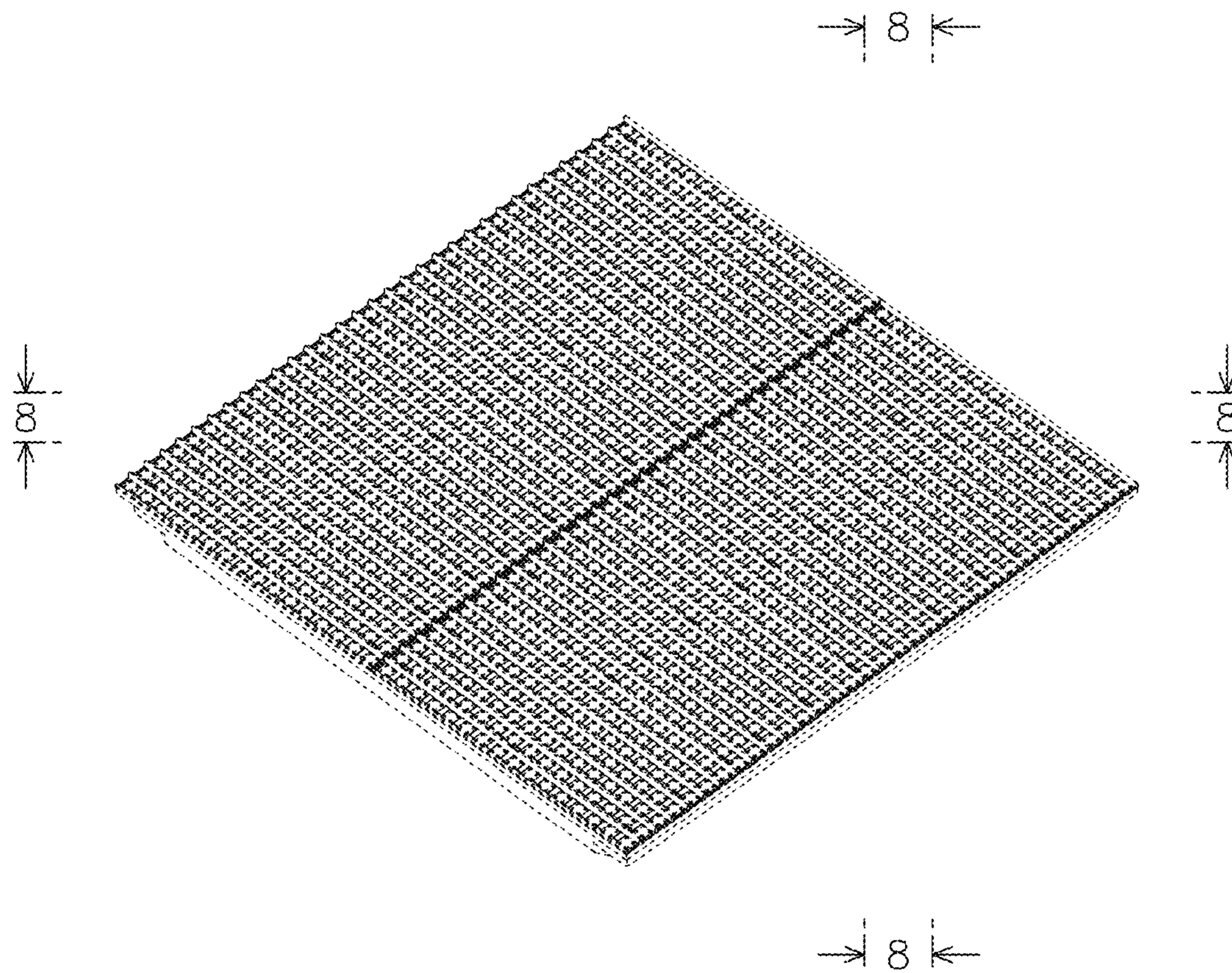


Fig.7

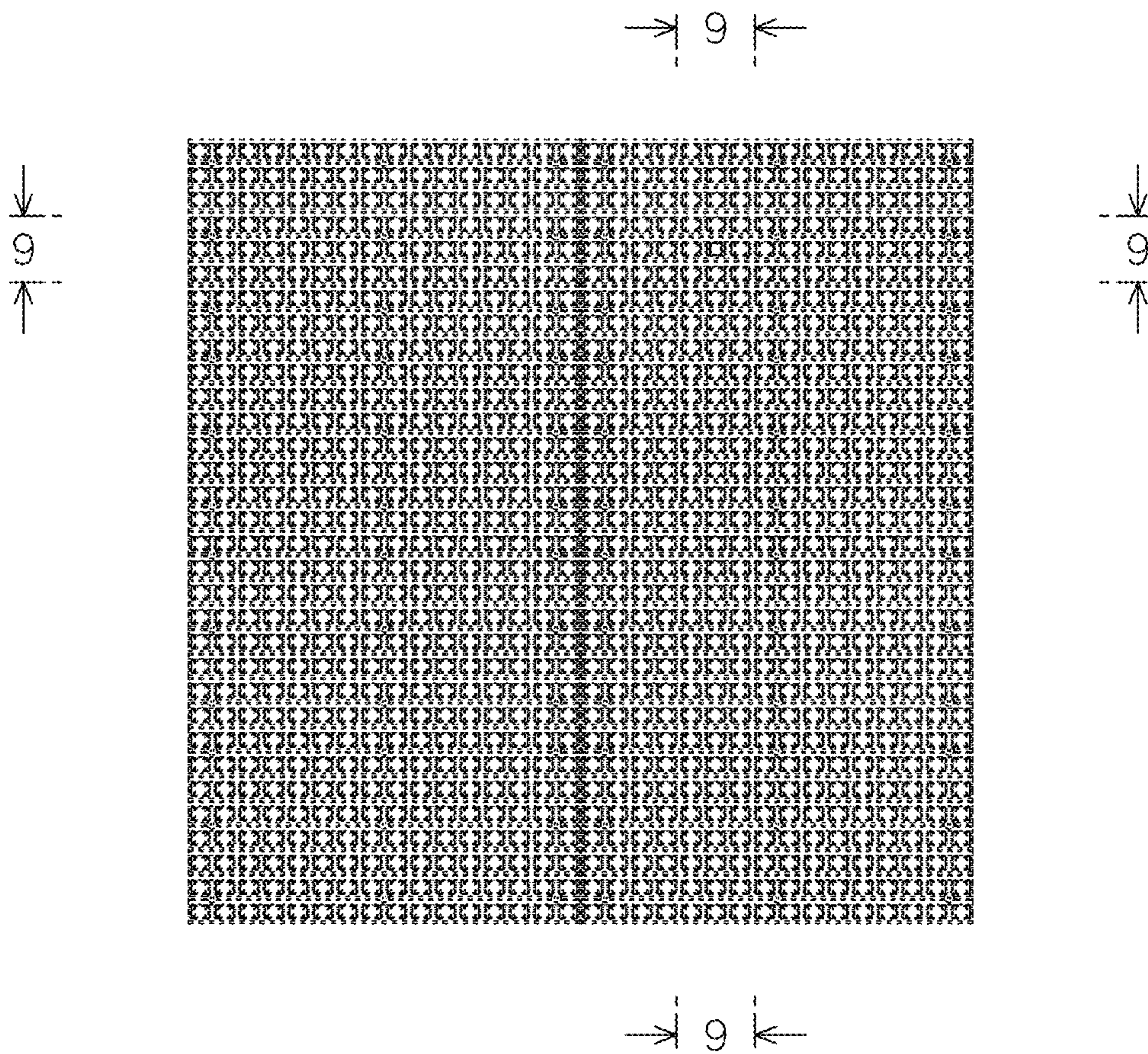


Fig.8

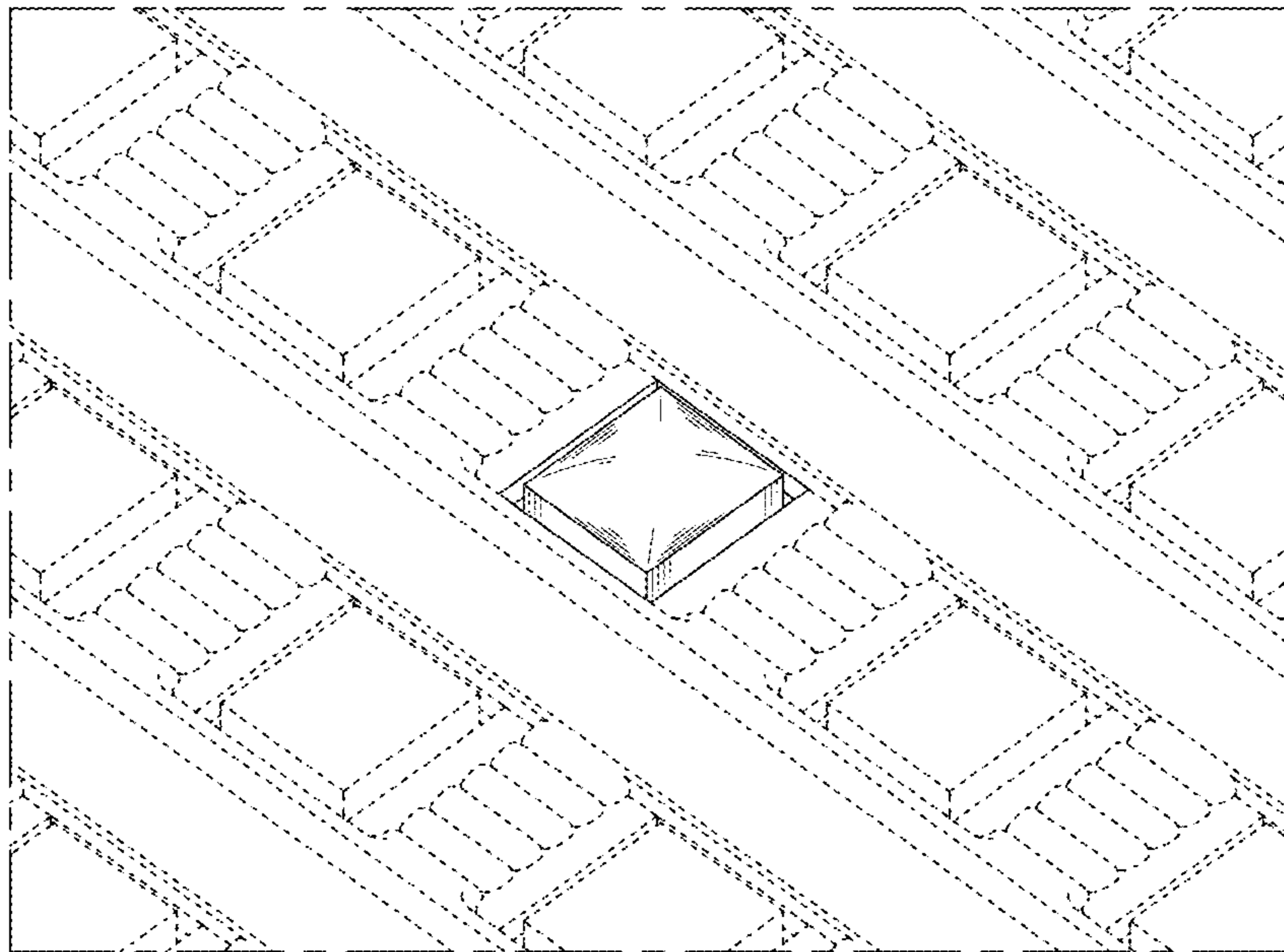


Fig.9

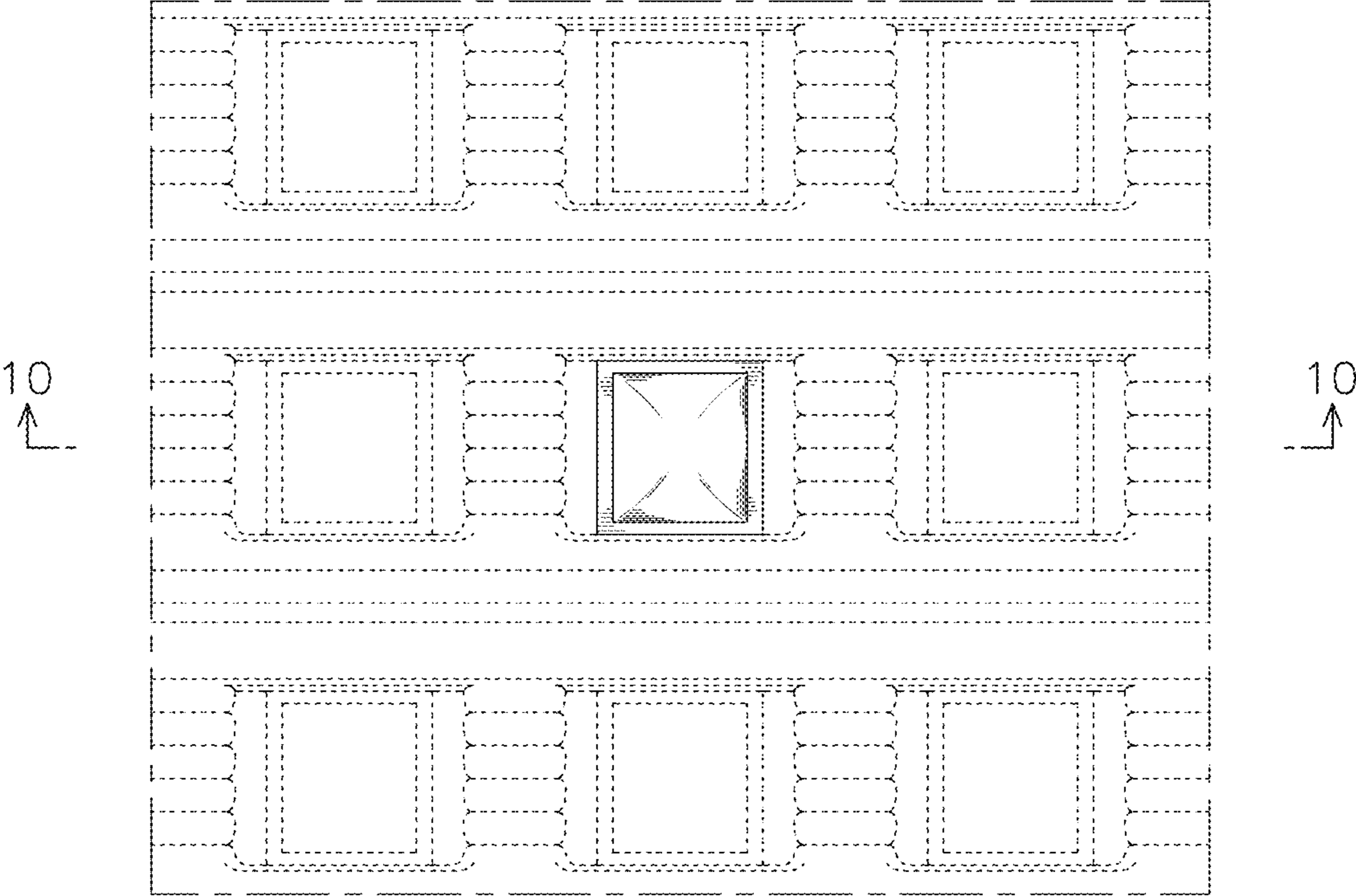


Fig.10

