

US00D768583S

(12) **United States Design Patent** (10) **Patent No.:** **US D768,583 S**
Dorn et al. (45) **Date of Patent:** **** *Oct. 11, 2016**

(54) **SWITCH**
(71) Applicant: **Raffel Systems, LLC**, Germantown, WI (US)
(72) Inventors: **Douglas A. Dorn**, Brookfield, WI (US); **Paul F. Stangl**, West Bend, WI (US)
(73) Assignee: **RAFFEL SYSTEMS, LLC**, Germantown, WI (US)
(*) Notice: This patent is subject to a terminal disclaimer.
(**) Term: **14 Years**
(21) Appl. No.: **29/520,390**
(22) Filed: **Mar. 13, 2015**
(51) **LOC (10) Cl.** **13-03**
(52) **U.S. Cl.**
USPC **D13/174**
(58) **Field of Classification Search**
USPC D13/162, 171, 173, 174
CPC H01H 3/02; H01H 3/022; H01H 3/12; H01H 3/122; H01H 9/02; H01H 9/0235; H01H 13/023; H01H 13/04; H01H 13/06; H01H 13/063; H01H 13/10; H01H 13/14; H01H 13/36; H01H 13/70; H01H 13/86; H01H 21/24; H01H 25/065; A47C 1/0345; A47C 1/035; A47C 7/506
See application file for complete search history.
(56) **References Cited**

7,217,897 B2 * 5/2007 Mattarelli H01H 13/04 200/293
D556,268 S * 11/2007 Luciano, Jr. D13/171
D685,333 S * 7/2013 Beroukas D13/174
D691,099 S * 10/2013 Li D13/174
D691,971 S * 10/2013 Li D13/174
D692,401 S * 10/2013 Li D13/174
8,766,115 B2 * 7/2014 Kristen H01H 25/065 200/5 A
D720,305 S * 12/2014 Wenji D13/174
D733,078 S * 6/2015 Wu D13/171
D740,238 S * 10/2015 Dorn D13/174
2004/0074756 A1 * 4/2004 Kawakami B41J 29/02 200/600
2011/0198894 A1 * 8/2011 Hsieh A47C 1/0242 297/68
2014/0353134 A1 * 12/2014 Muller H01H 3/20 200/5 A
2015/0251573 A1 * 9/2015 Misch B60N 2/665 297/452.41

OTHER PUBLICATIONS

U.S. Appl. No. 29/520,390, Dorn et al., Selina Sikder.*
* cited by examiner

Primary Examiner — Selina Sikder
(74) *Attorney, Agent, or Firm* — Tyler J. Sisk; Casimir Jones, S.C.

(57) **CLAIM**
The ornamental design for a switch, as shown and described.

DESCRIPTION

FIG. 1 is a three-quarter perspective view showing our new design of a switch;
FIG. 2 is a front elevational view thereof, the rear elevational view being identical;
FIG. 3 is a left side elevational view thereof,
FIG. 4 is a right side elevational view thereof,
FIG. 5 is a top plan view thereof; and,
FIG. 6 is a bottom plan view thereof.
The broken lines shown in FIGS. 1 through 6 are for the purpose of illustrating environment, and form no part of the claimed design.

1 Claim, 6 Drawing Sheets

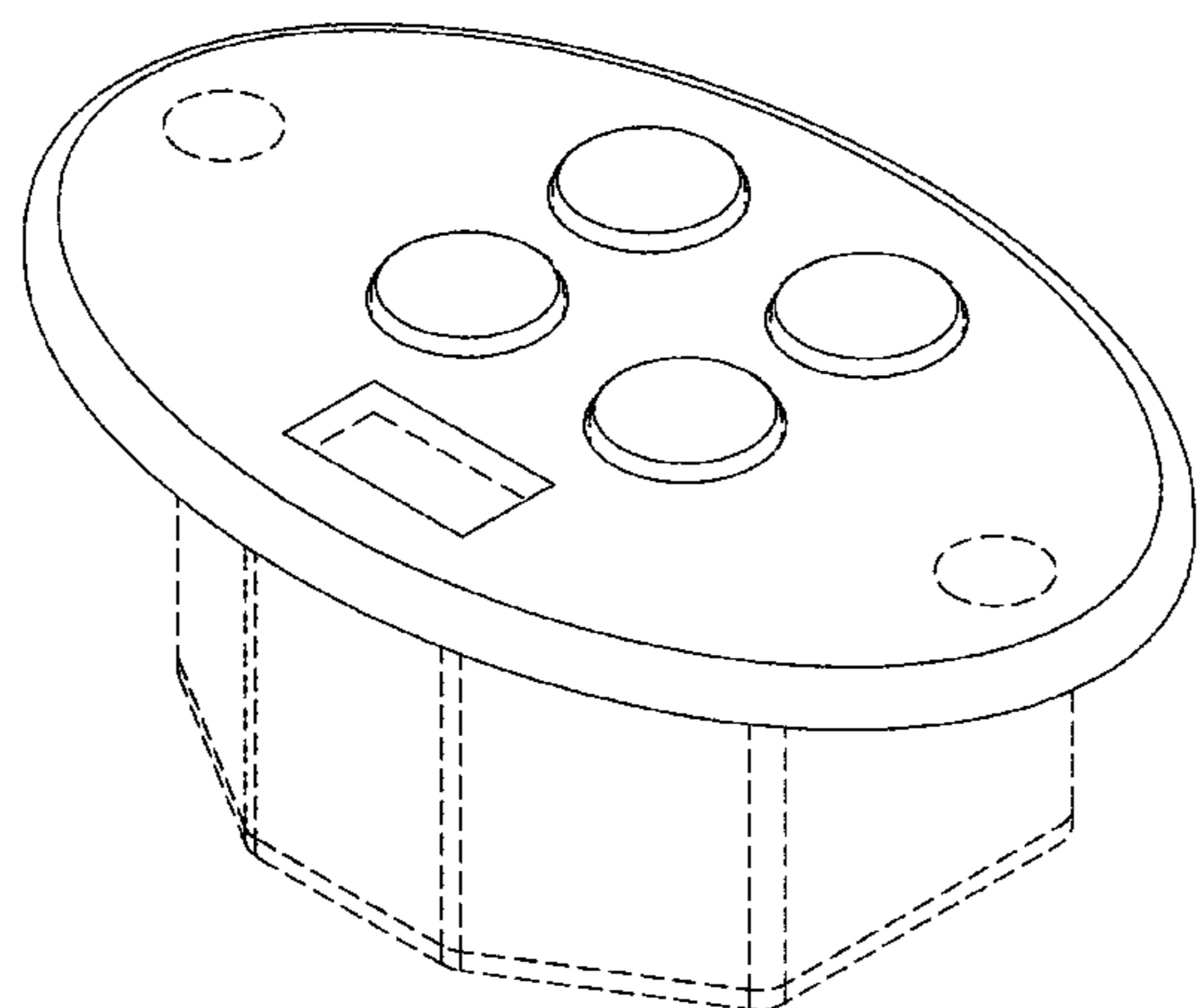


FIG. 1

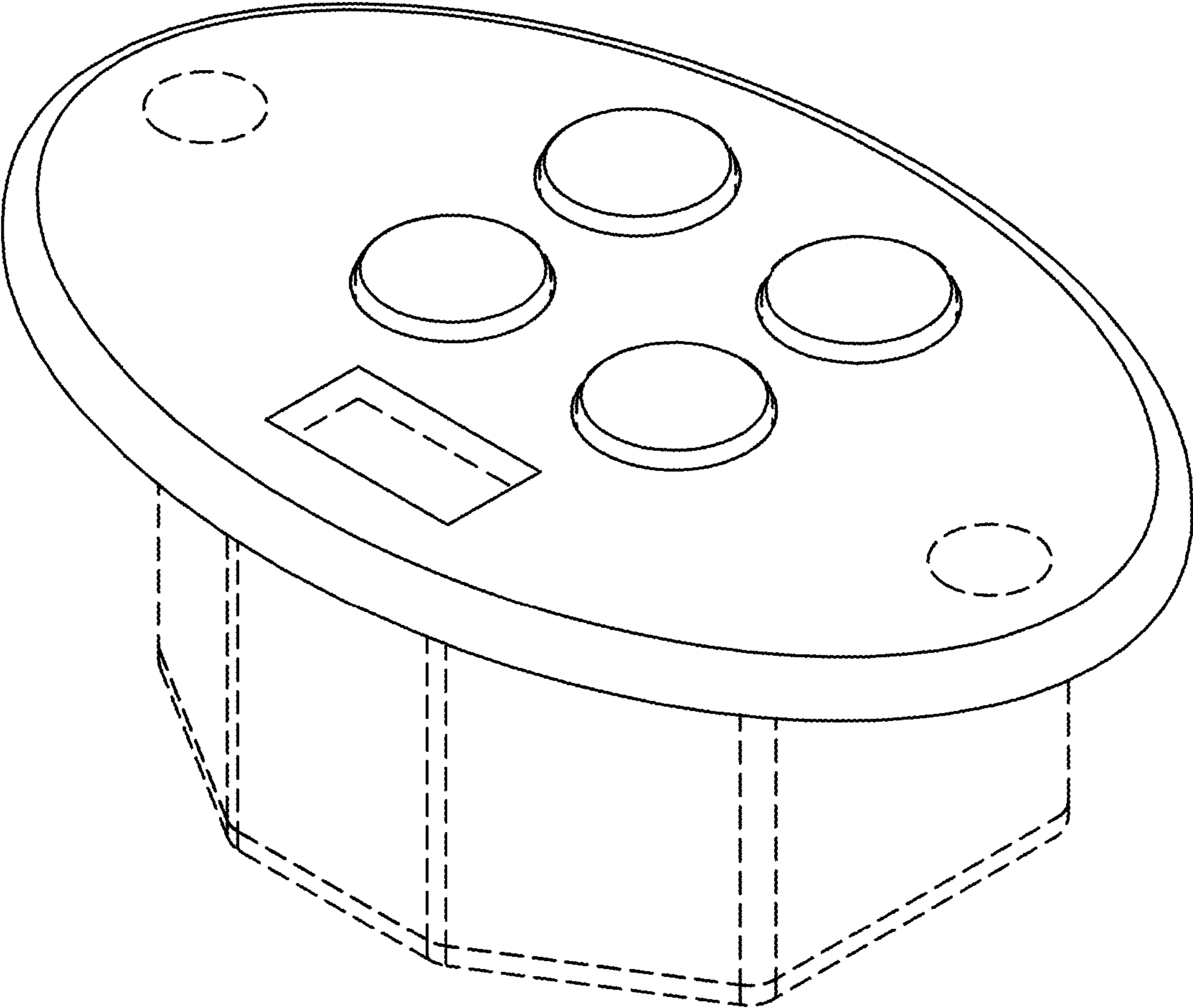


FIG. 2

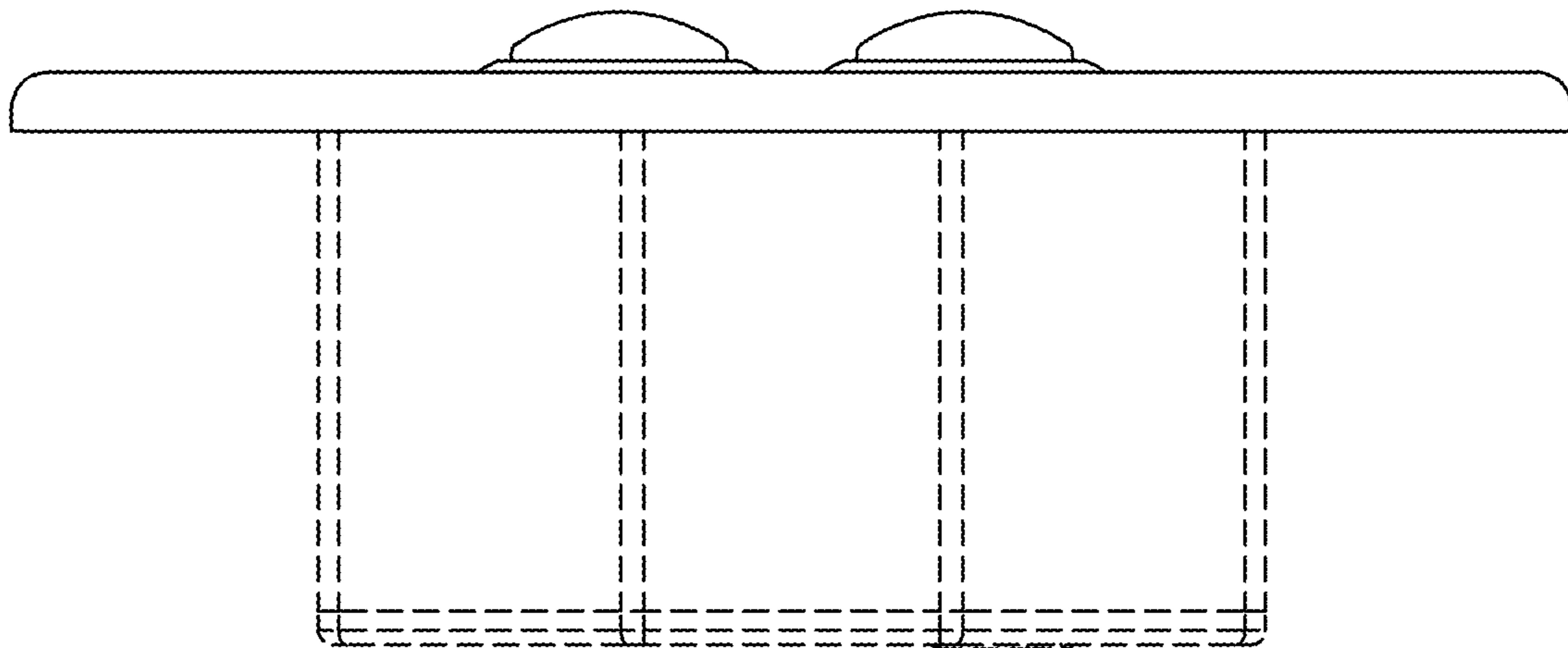


FIG. 3

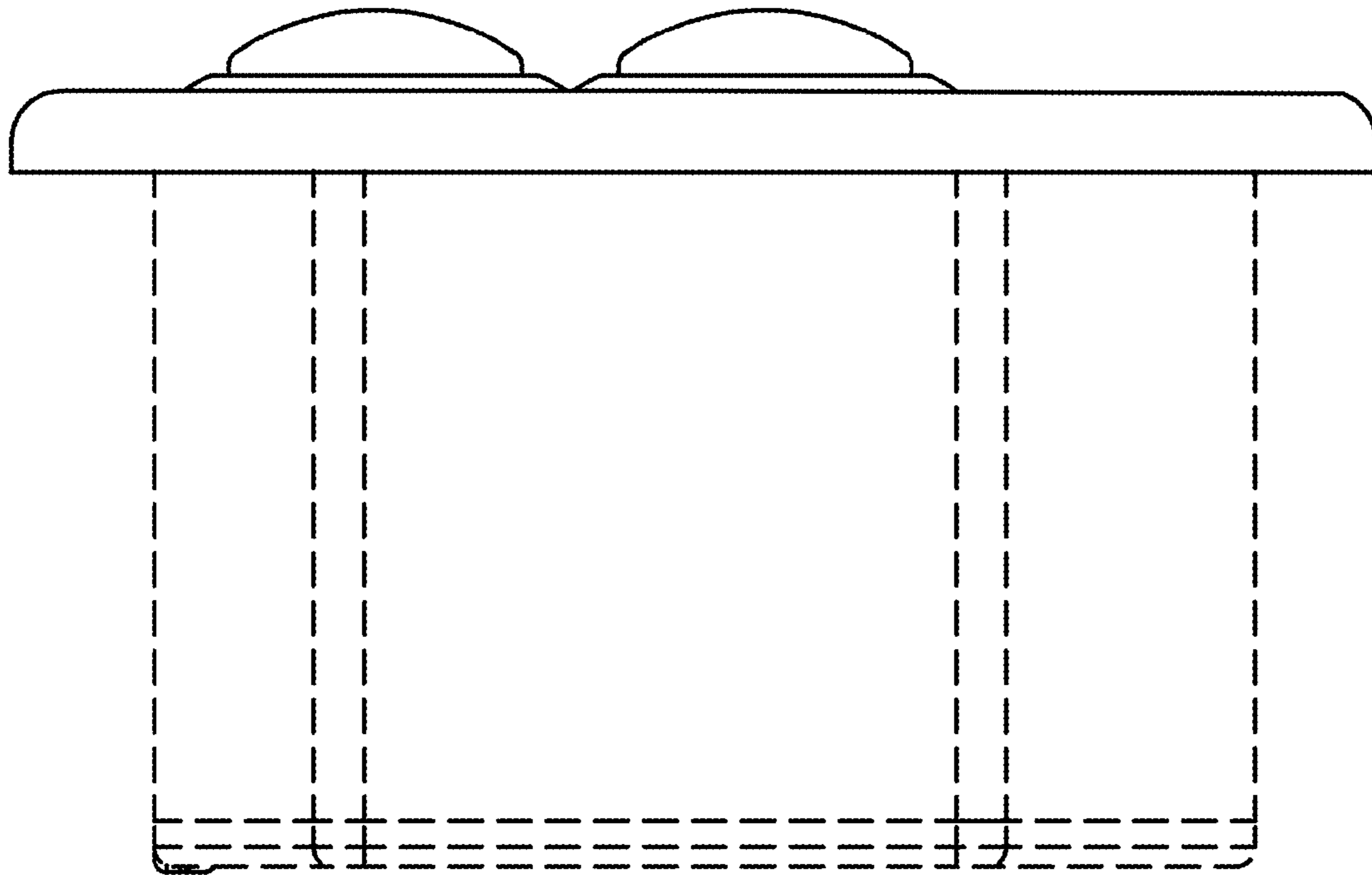


FIG. 4

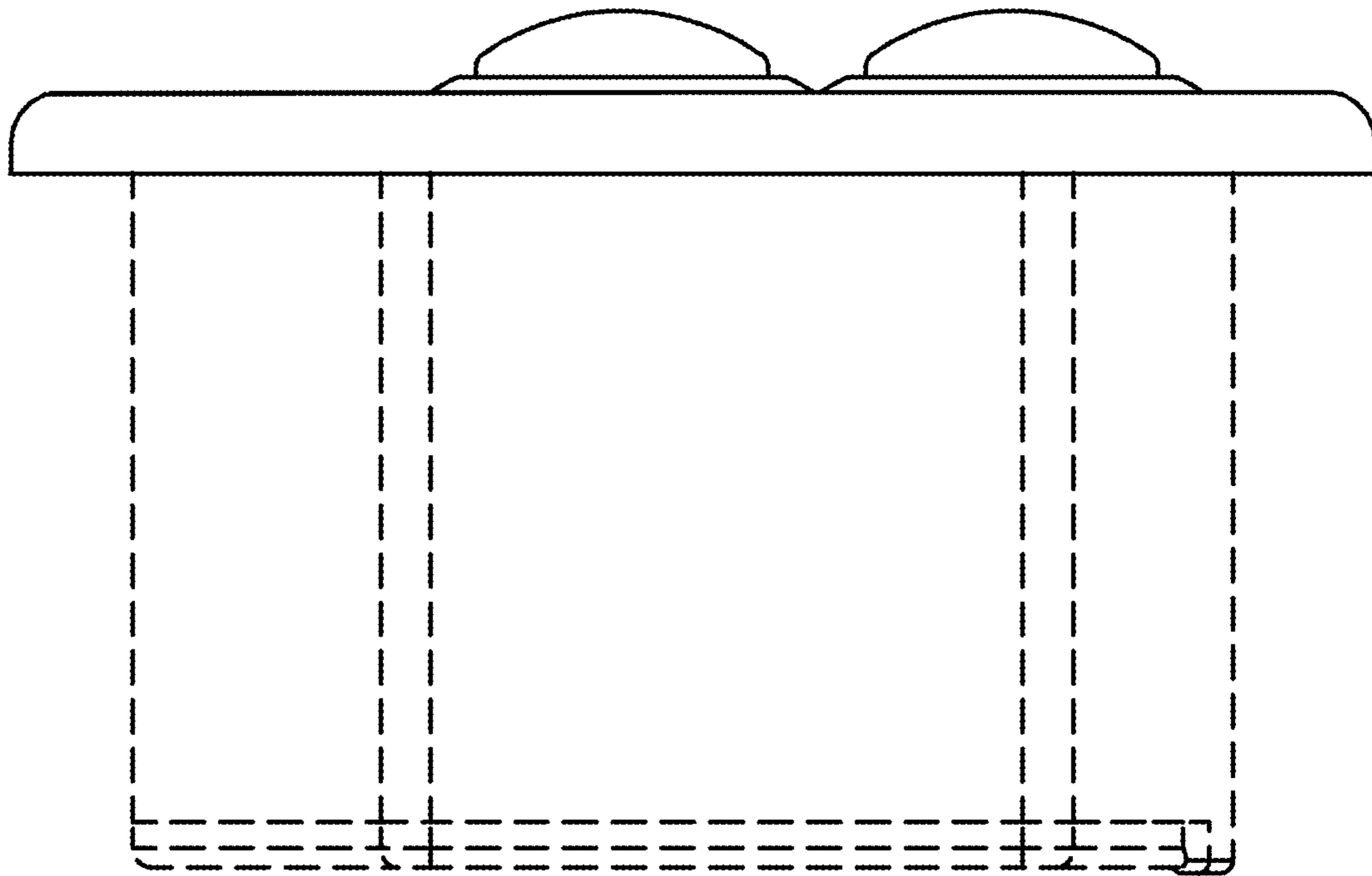


FIG. 5

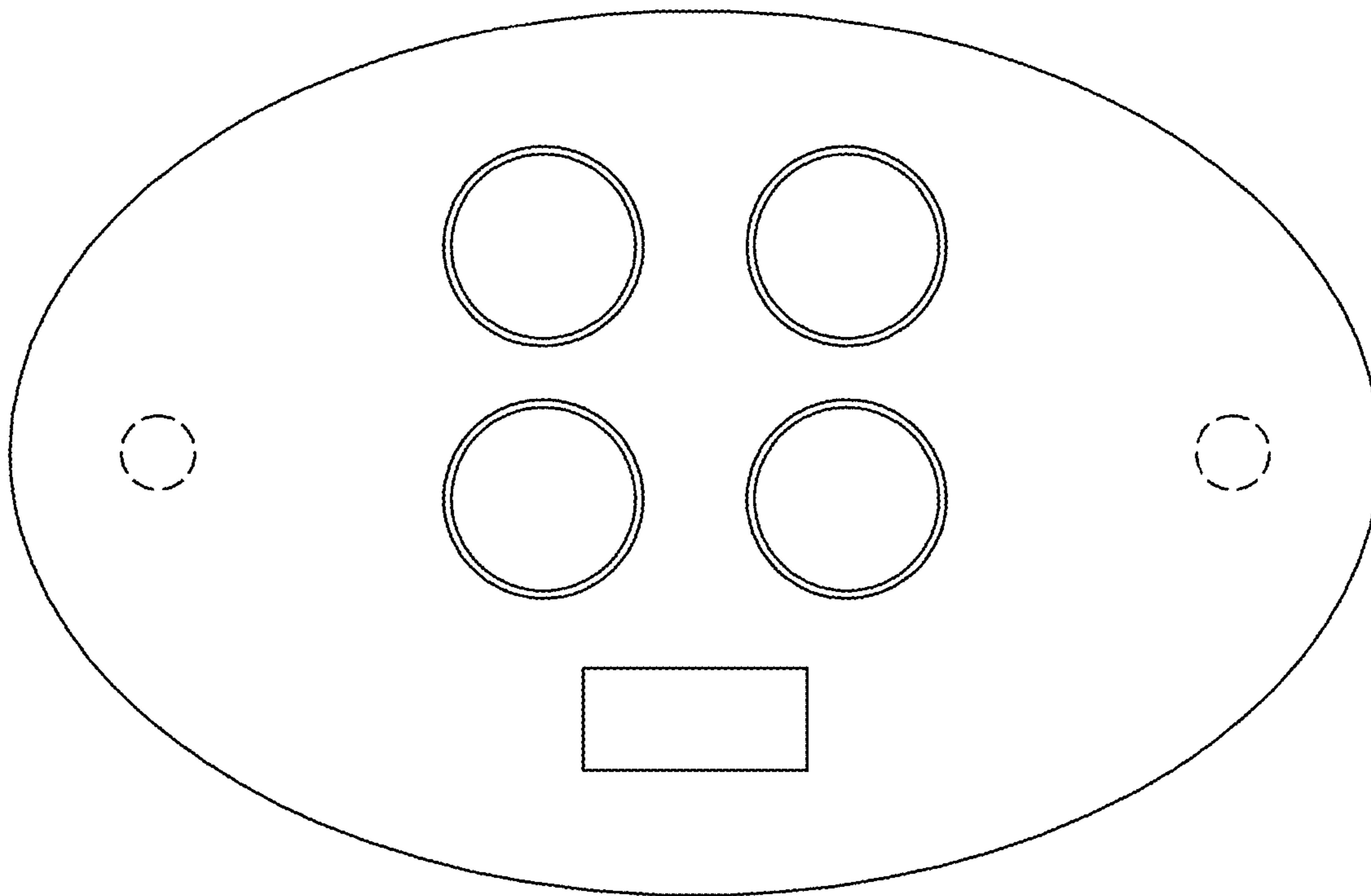


FIG. 6

