



US00D768580S

(12) **United States Design Patent**
Thompson et al.

(10) **Patent No.:** **US D768,580 S**
(45) **Date of Patent:** **** Oct. 11, 2016**

- (54) **KEYPAD**
- (71) Applicant: **Electronic Controls Company**, Boise, ID (US)
- (72) Inventors: **Nicholaus M. Thompson**, Kuna, ID (US); **Jennifer A. Marvin**, Meridian, ID (US)
- (73) Assignee: **Electronic Controls Company**, Boise, ID (US)
- (**) Term: **14 Years**
- (21) Appl. No.: **29/523,734**
- (22) Filed: **Apr. 13, 2015**
- (51) **LOC (10) Cl.** **13-03**
- (52) **U.S. Cl.**
USPC **D13/164**
- (58) **Field of Classification Search**
USPC D13/162, 164, 184; D10/106.1, 106.95; D12/174; D14/257, 258
CPC B60Q 1/0076; B60Q 1/2611; H05K 5/00; H05K 5/0017; H01H 3/02; H01H 3/129; H01H 9/02; H01H 9/0214; H01H 9/0264
See application file for complete search history.

- 7,616,108 B2 * 11/2009 Shank B60Q 1/0076 340/458
- D642,132 S * 7/2011 Brennan, III D13/162
- D647,062 S * 10/2011 Deyaf D13/162
- 8,240,738 B2 * 8/2012 Shiratori B60Q 1/0076 180/90
- D689,785 S * 9/2013 Miller D10/106.1
- 8,786,423 B2 * 7/2014 Miller B60Q 1/2611 340/472
- D727,306 S * 4/2015 Yong D14/188
- 9,016,965 B1 * 4/2015 Stoops G06F 3/0202 361/679.08
- D750,573 S * 3/2016 Deyaf D13/164
- D750,574 S * 3/2016 Deyaf D13/164
- 2010/0125393 A1 * 5/2010 Jarvinen G06F 3/0202 701/48
- 2010/0230549 A1 * 9/2010 Probasco H05K 5/0204 248/27.1
- 2013/0306450 A1 * 11/2013 Wolfe H01H 9/0264 200/304

* cited by examiner

Primary Examiner — Selina Sikder

(74) *Attorney, Agent, or Firm* — Stoel Rives LLP

(57) **CLAIM**

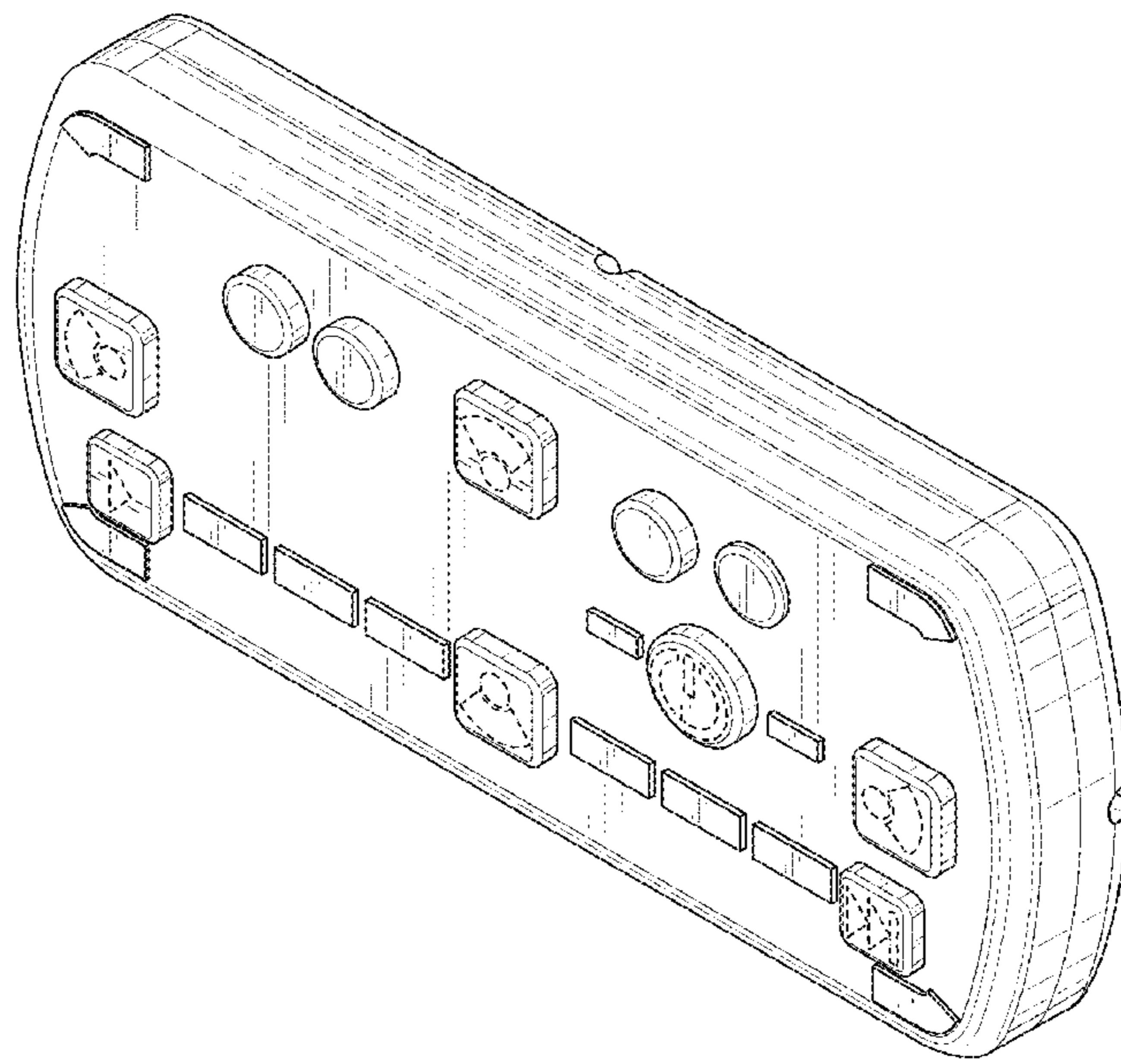
The ornamental design for a keypad, substantially as shown and described.

DESCRIPTION

FIG. 1 is a top isometric view of a keypad;
 FIG. 2 is a front view thereof;
 FIG. 3 is a rear view thereof;
 FIG. 4 is a left side view thereof;
 FIG. 5 is a right side view thereof;
 FIG. 6 is a top view thereof; and,
 FIG. 7 is a bottom view thereof.
 In FIGS. 1 and 2 the broken lines are illustrative of environmental structure forming no part of the claimed design.

1 Claim, 6 Drawing Sheets

- (56) **References Cited**
U.S. PATENT DOCUMENTS
- D334,542 S * 4/1993 Lowe D10/104.1
- D375,908 S * 11/1996 Schumaker D10/103
- 5,773,935 A * 6/1998 Wagner B60Q 1/076 307/10.8
- D412,678 S * 8/1999 Smith D10/106.1
- D503,644 S * 4/2005 Case D10/106.1
- 7,335,842 B2 * 2/2008 Guo H01H 9/0214 200/296
- D574,799 S * 8/2008 Cronmiller D10/102



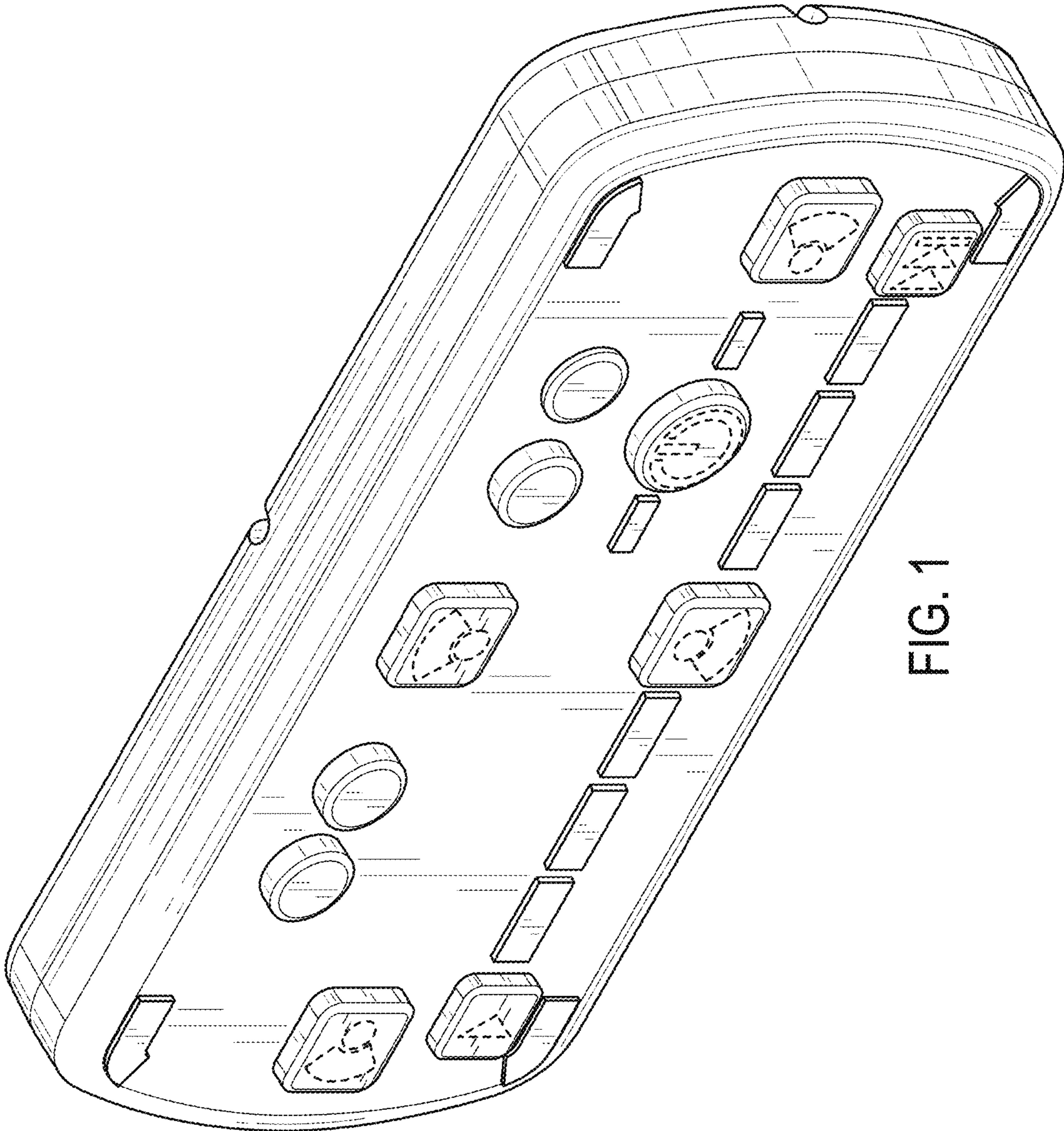


FIG. 1

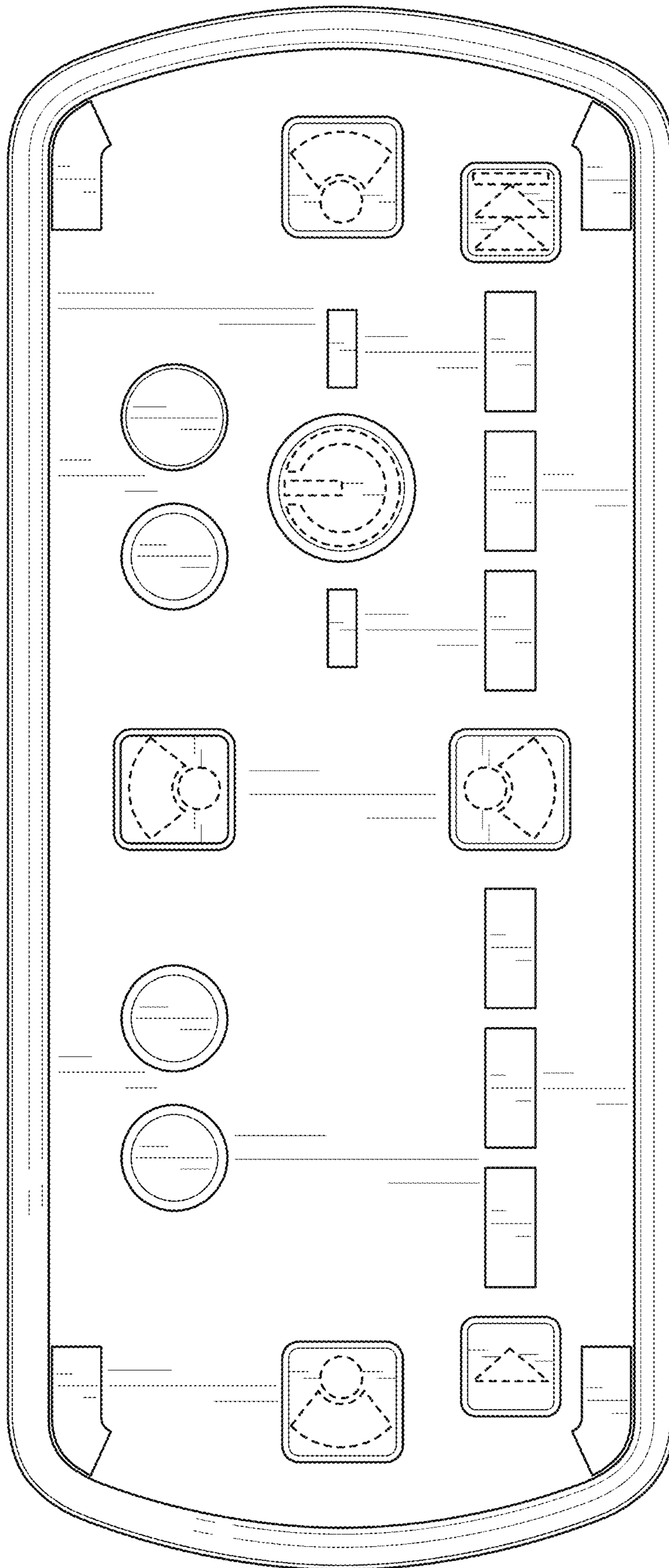


FIG. 2

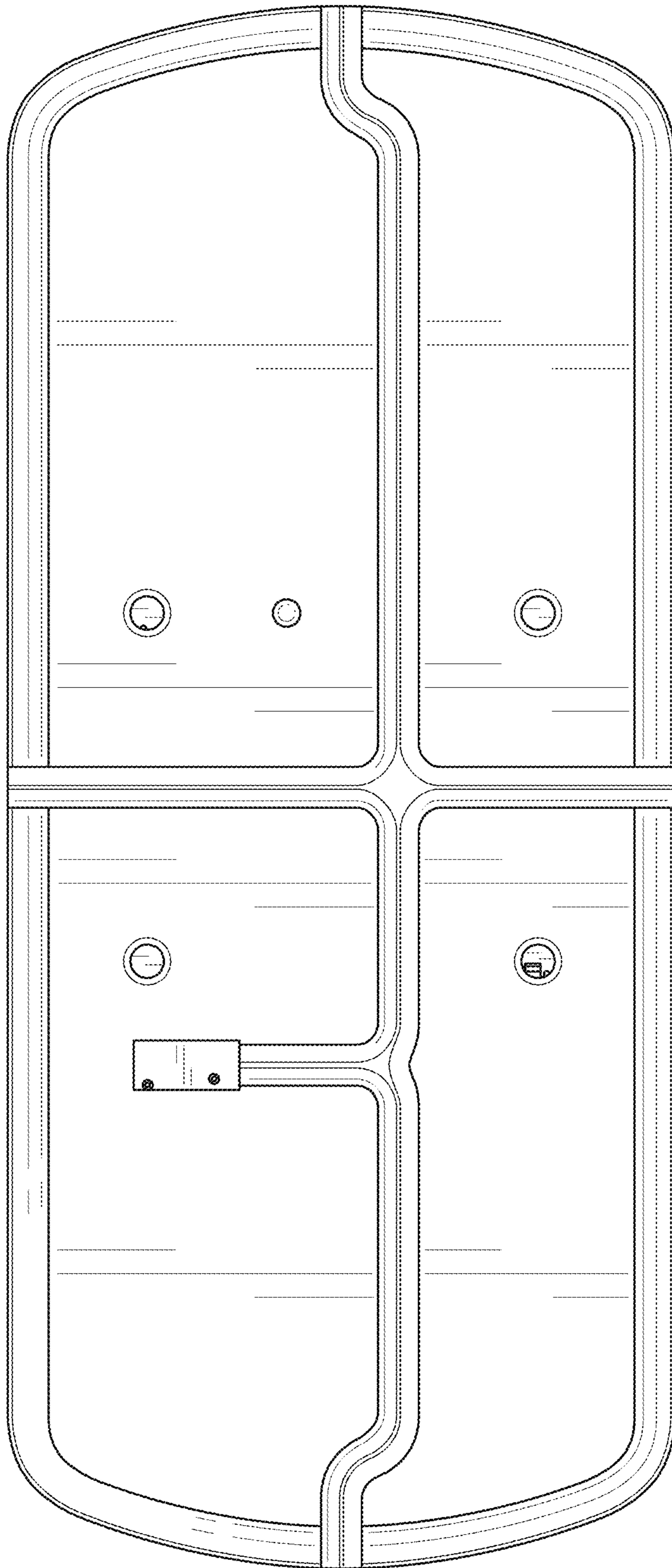


FIG. 3

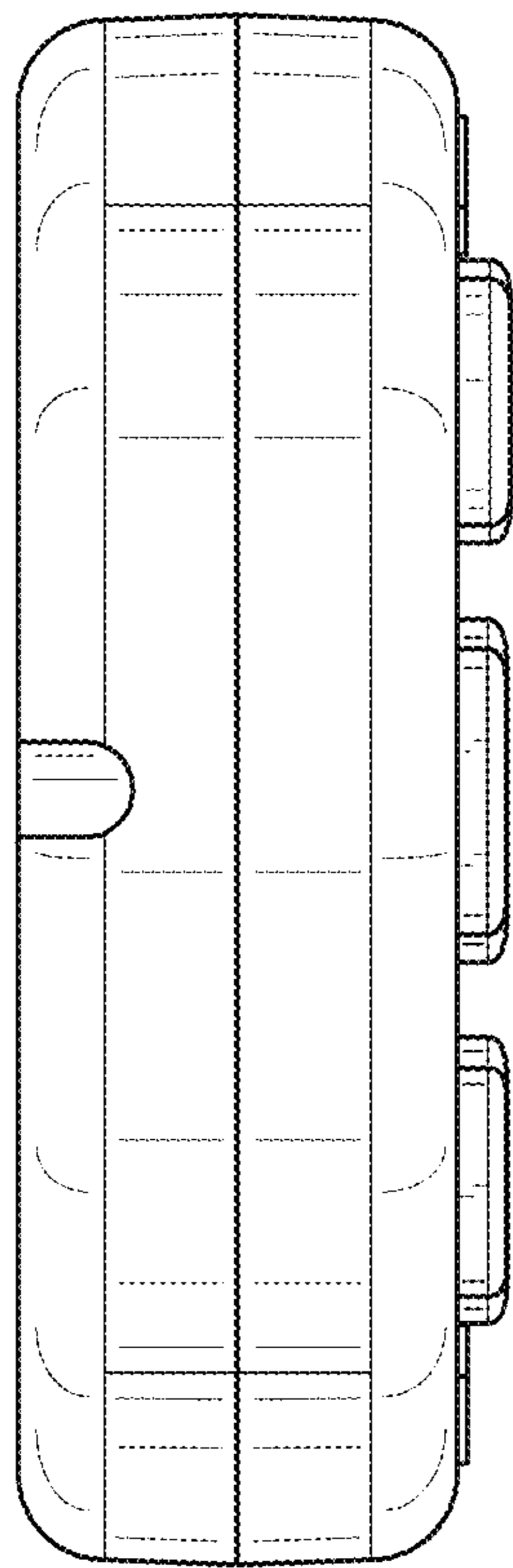


FIG. 4

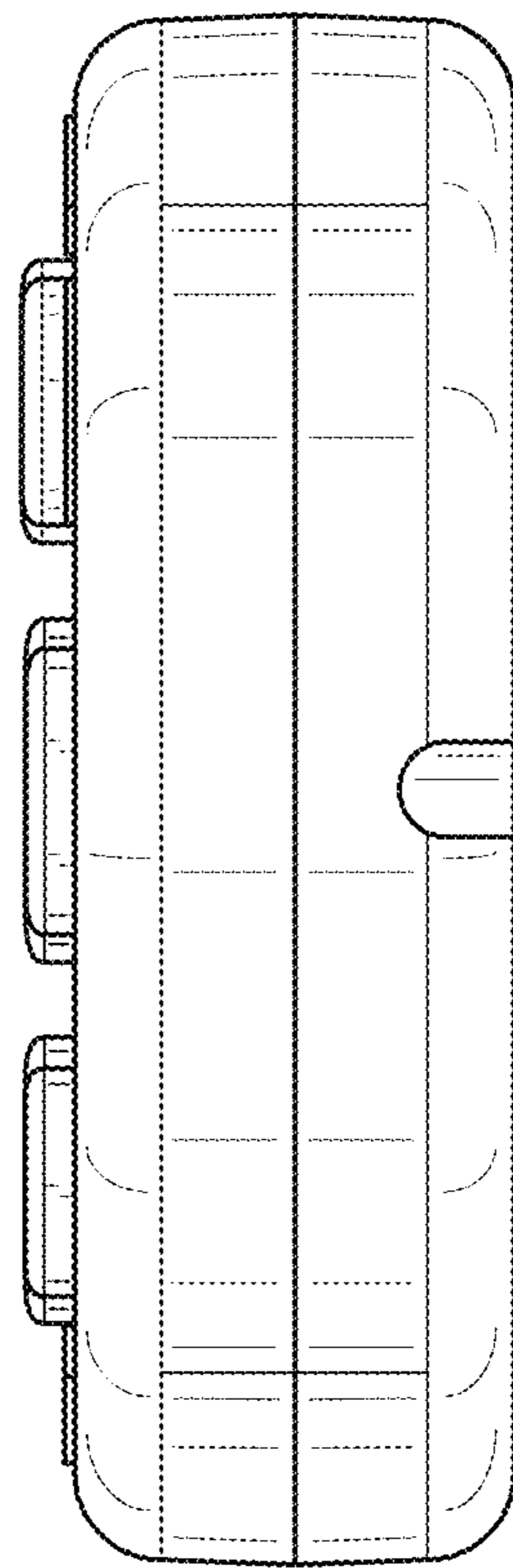


FIG. 5

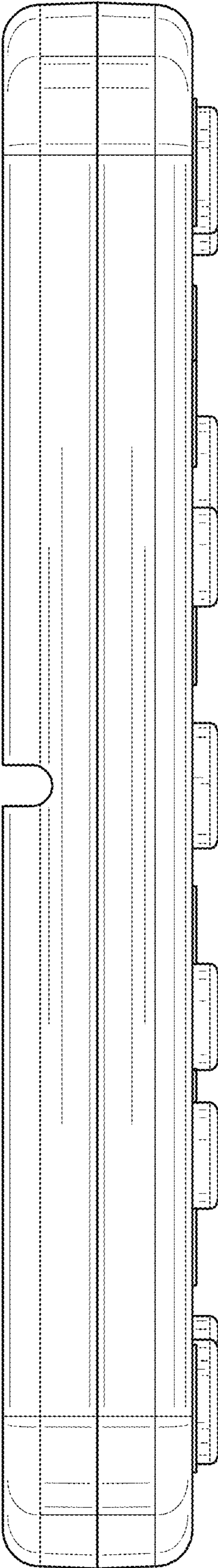


FIG. 6

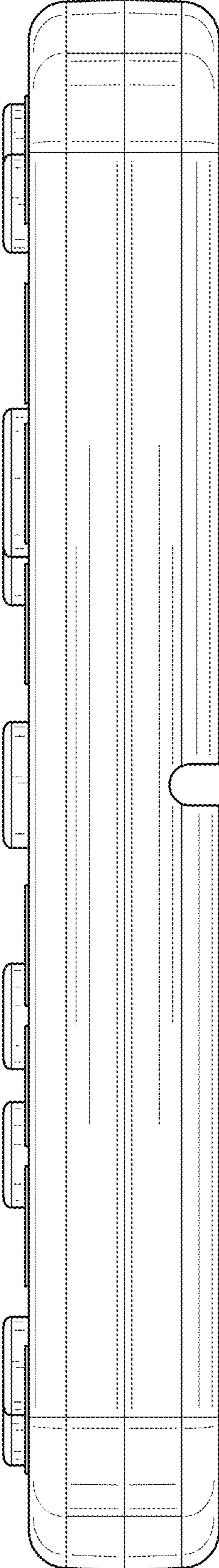


FIG. 7