



US00D768577S

(12) **United States Design Patent** (10) **Patent No.:** **US D768,577 S**
Elbaz et al. (45) **Date of Patent:** **** Oct. 11, 2016**

(54) **OUTDOOR ELECTRICAL DEVICE COVER** 7,410,372 B2 * 8/2008 Johnson H02G 3/14
174/66
(71) Applicant: **Edna Elbaz**, Neponsit, NY (US) 7,462,778 B1 12/2008 Shotey
7,479,598 B1 1/2009 Shotey
(72) Inventors: **Michael Elbaz**, New York, NY (US); D606,492 S * 12/2009 Steinfelds D13/119
Shimon Elbaz, Neponsit, NY (US); **Gil** 7,915,528 B2 * 3/2011 Ni H01R 13/5213
H. Elbaz, Belle Harbor, NY (US) 8,104,639 B1 * 1/2012 Cleghorn H01H 9/02
174/50
(73) Assignee: **SUPERFLEX, LTD.**, Brooklyn, NY
(US)

(**) Term: **14 Years**

(21) Appl. No.: **29/498,641**

(22) Filed: **Aug. 6, 2014**

(51) **LOC (10) Cl.** **13-03**

(52) **U.S. Cl.**
USPC **D13/156**

(58) **Field of Classification Search**
USPC D13/156, 139.8, 152, 154, 184, 199;
174/1, 50, 50.52, 51, 58, 64, 66, 67;
220/241, 242; 439/135, 136, 139, 140,
439/144, 149, 527, 535, 536
CPC H05K 5/02; H05K 5/0226; H05K 5/0239;
H02G 3/08; H02G 3/14; H02G 3/081;
H02G 3/088; H02G 3/121
See application file for complete search history.

(56) **References Cited**

U.S. PATENT DOCUMENTS

- 5,763,831 A 6/1998 Shotey
- D397,995 S * 9/1998 Lamar D13/156
- 6,133,531 A * 10/2000 Hayduke H02G 3/081
174/67
- D486,452 S * 2/2004 Dinh D13/156
- 6,723,922 B1 4/2004 Shotey
- D556,143 S * 11/2007 Ni D13/152

OTHER PUBLICATIONS

Amazon.com, Taymac MX3200 image capture Aug. 5, 2014.
Amazon.com, TaymacMM510C image capture Aug. 5, 2014.

* cited by examiner

Primary Examiner — Derrick Holland

(74) *Attorney, Agent, or Firm* — Seth Natter; Natter & Natter

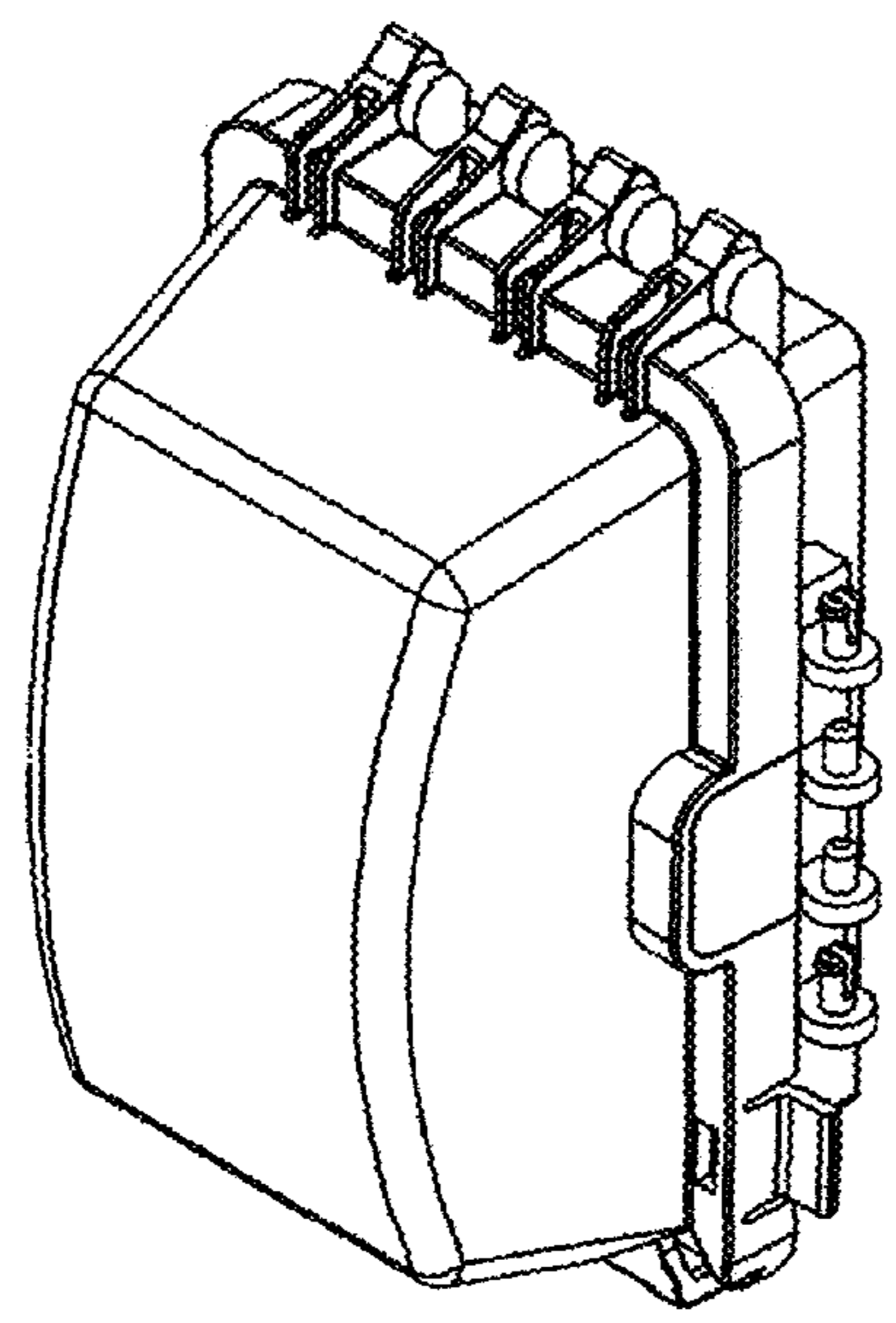
(57) **CLAIM**

The ornamental design for an outdoor electrical device cover, as shown and described.

DESCRIPTION

FIG. 1 is an isometric view of an outdoor electrical device cover showing my new design;
FIG. 2 is a front elevational view thereof;
FIG. 3 is a left side elevational view thereof;
FIG. 4 is a top plan view thereof;
FIG. 5 is a bottom view thereof;
FIG. 6 is a right side elevational view thereof;
FIG. 7 is a rear elevational view thereof; and,
FIG. 8 is an isometric view thereof, in an alternate configuration.
The broken lines shown represent unclaimed subject matter and form no part of the claimed design.

1 Claim, 8 Drawing Sheets



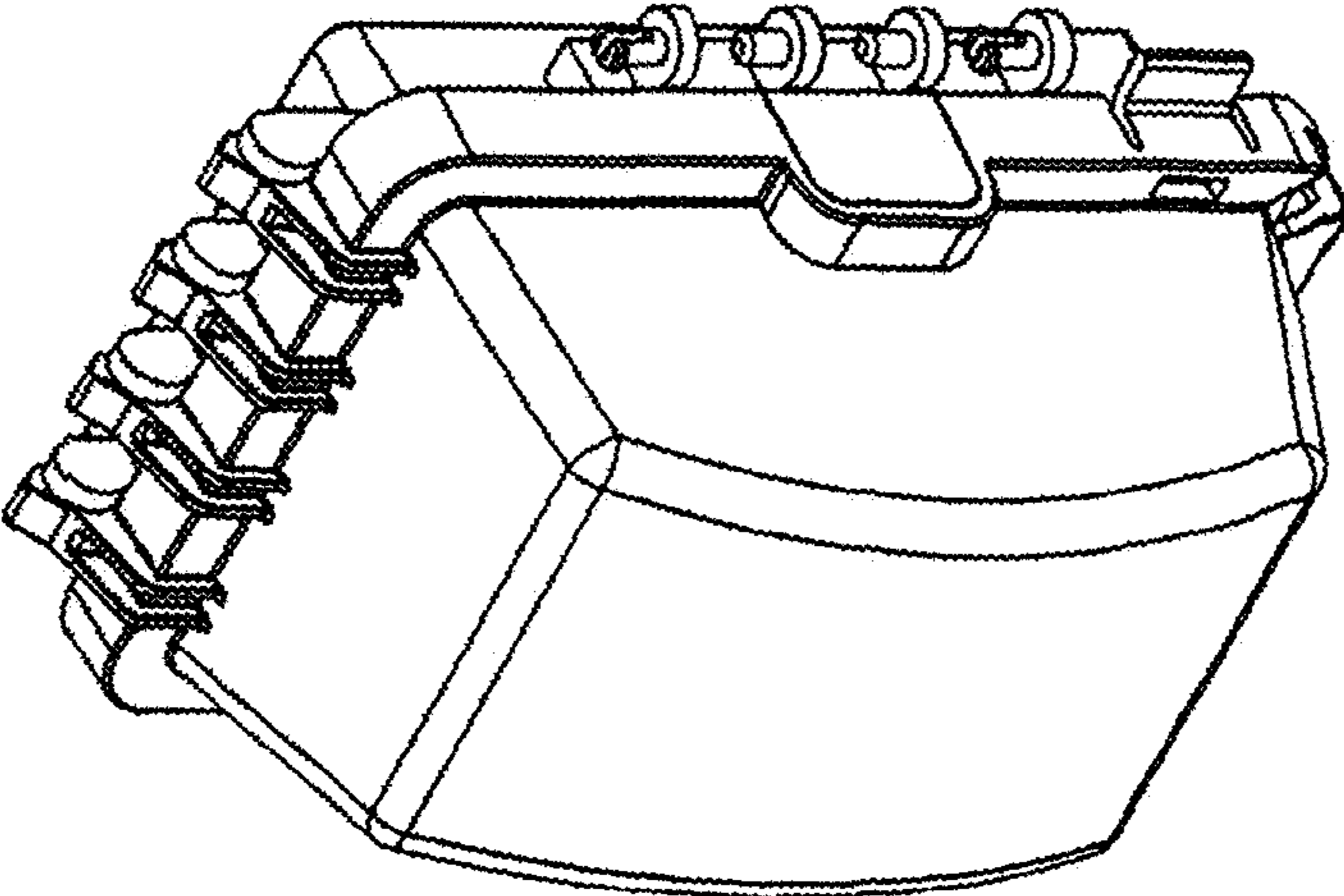


Fig. 1

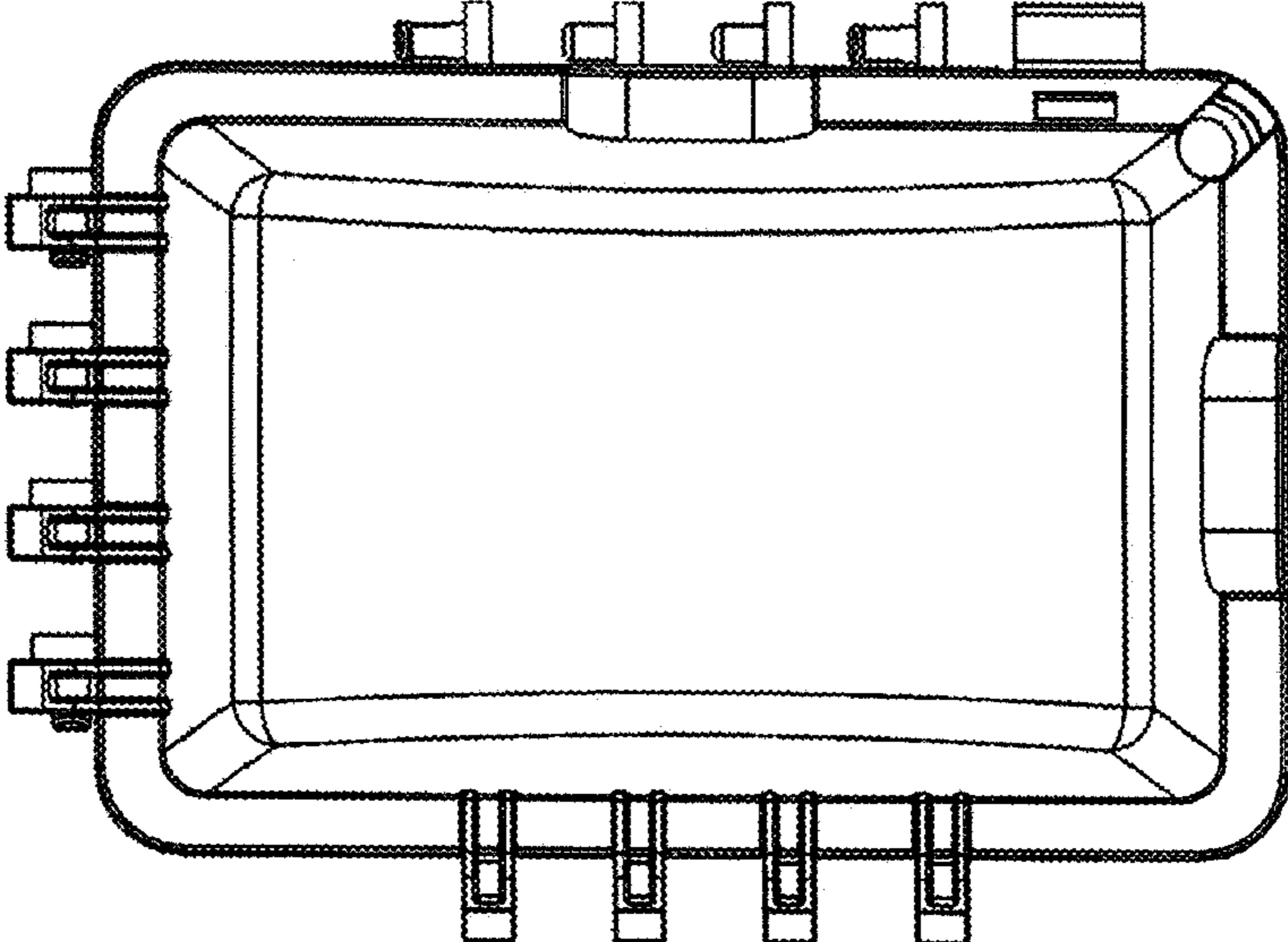


Fig. 2

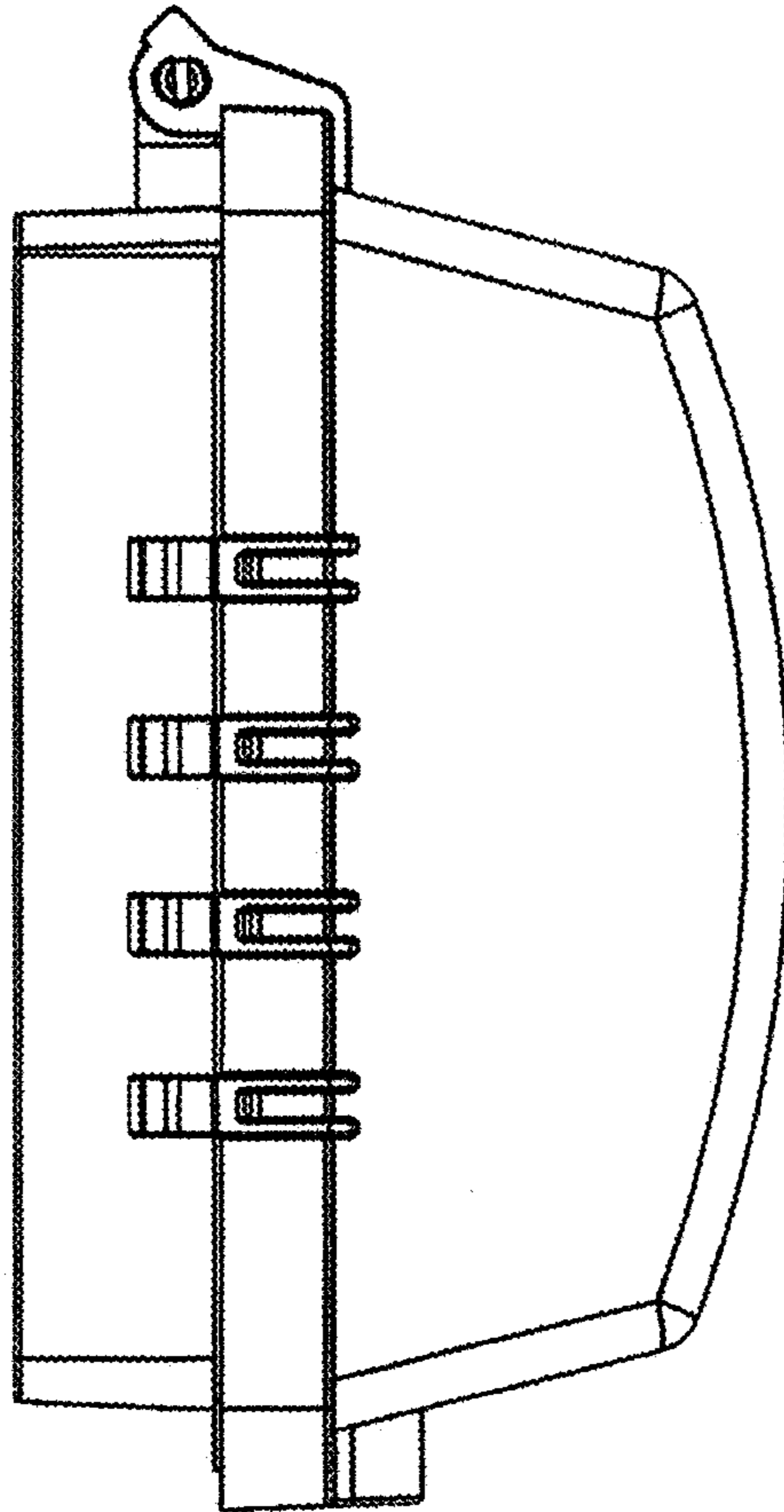


Fig. 3

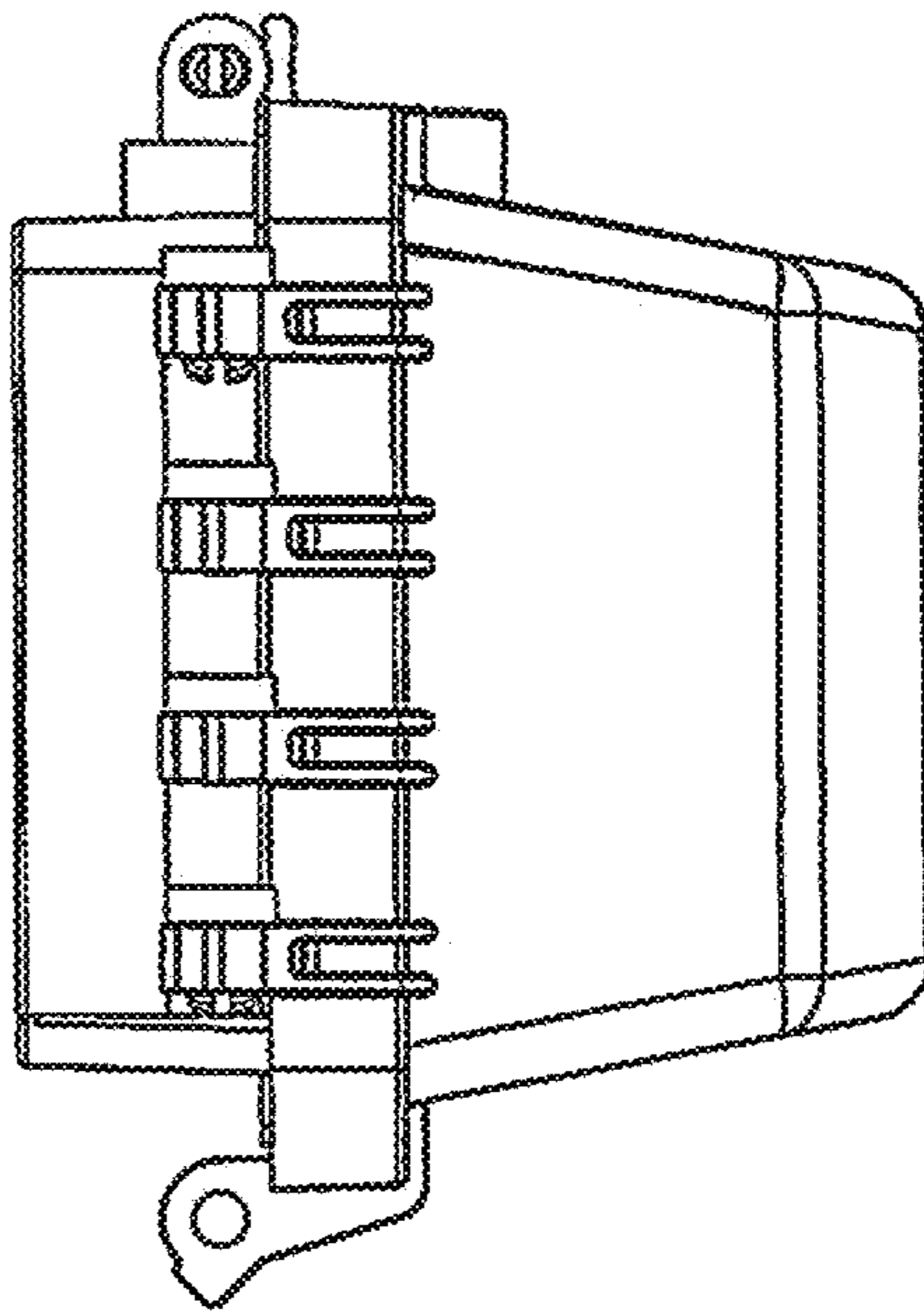


Fig. 4

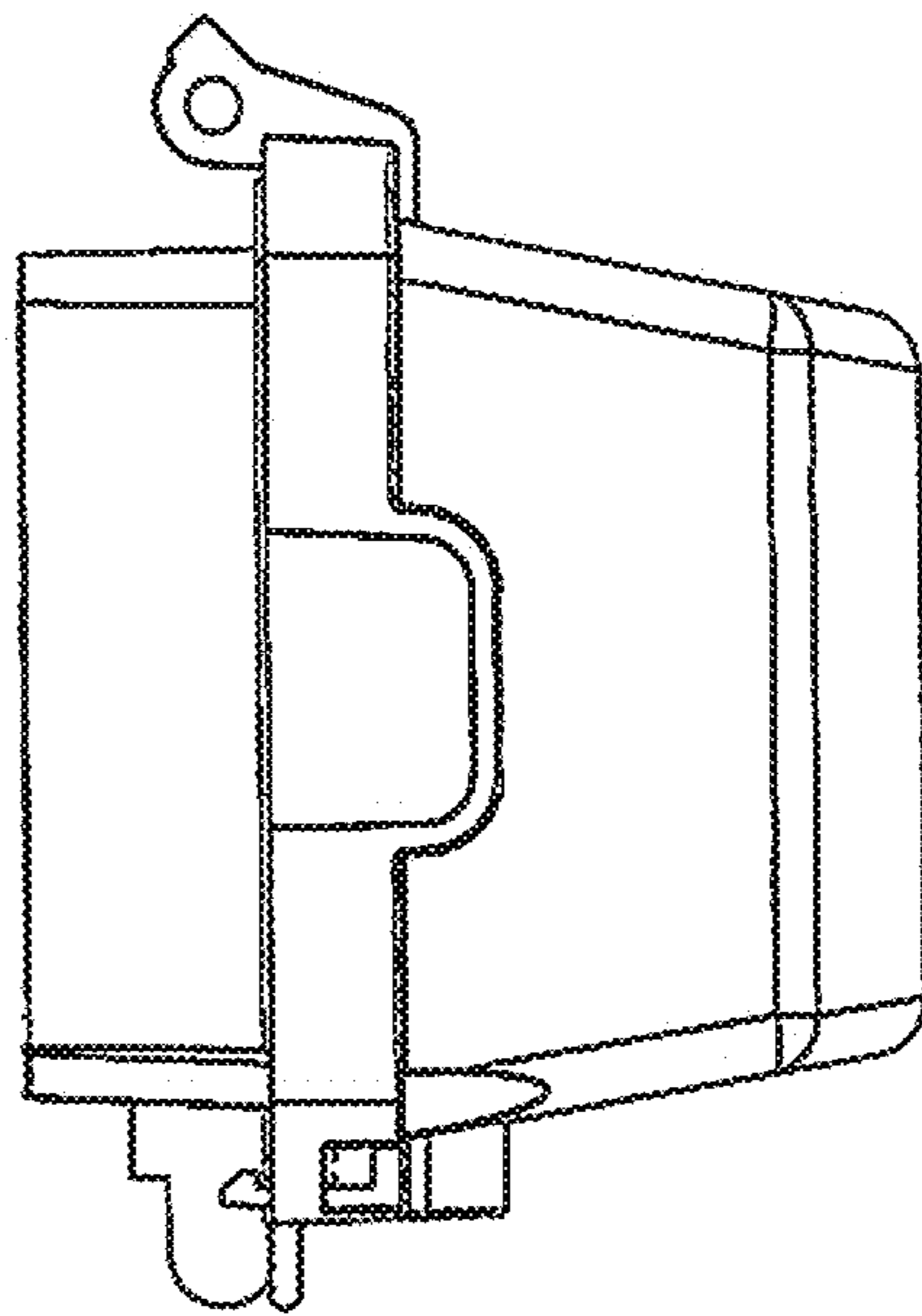


Fig. 5

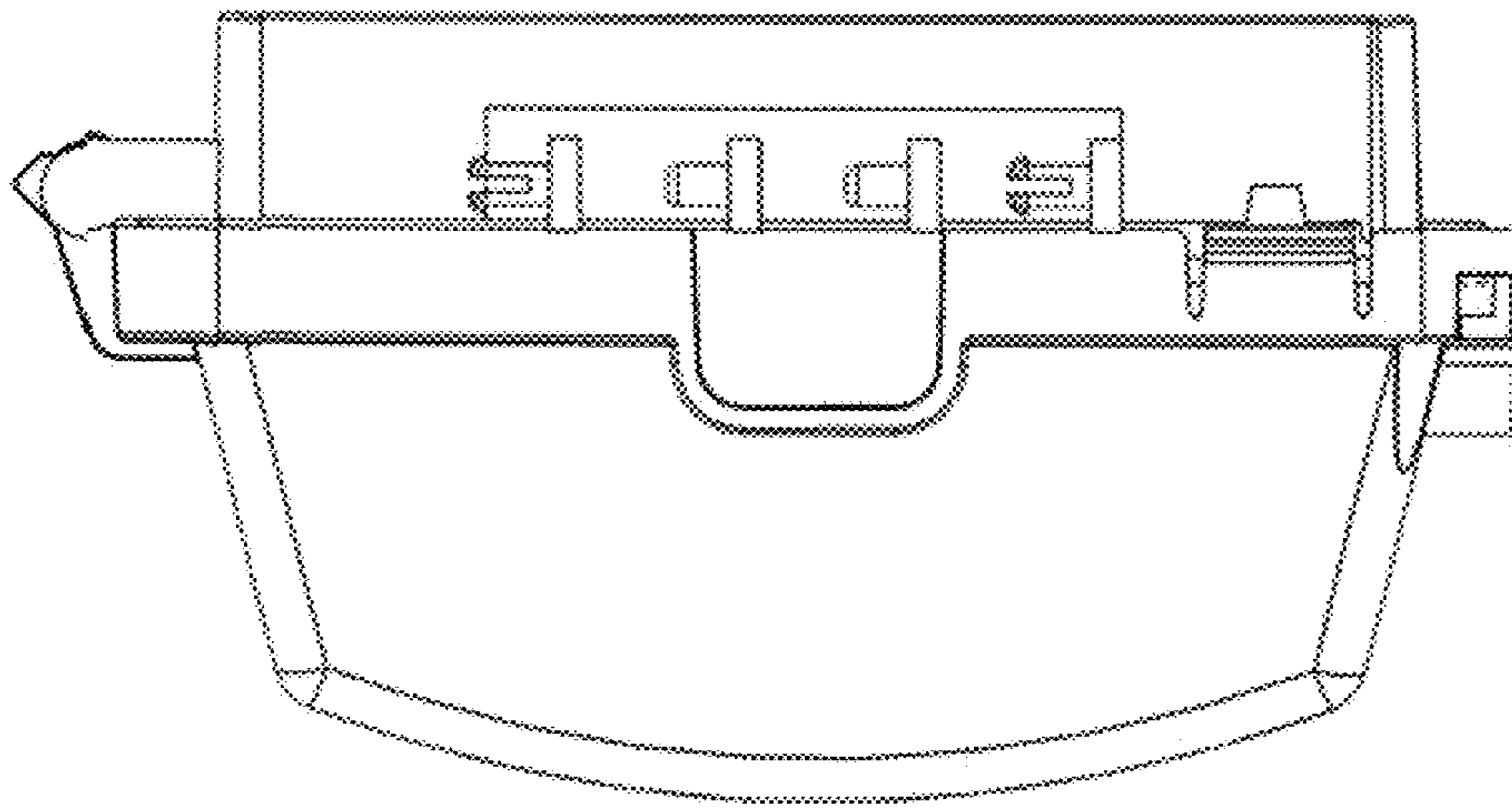


Fig. 6

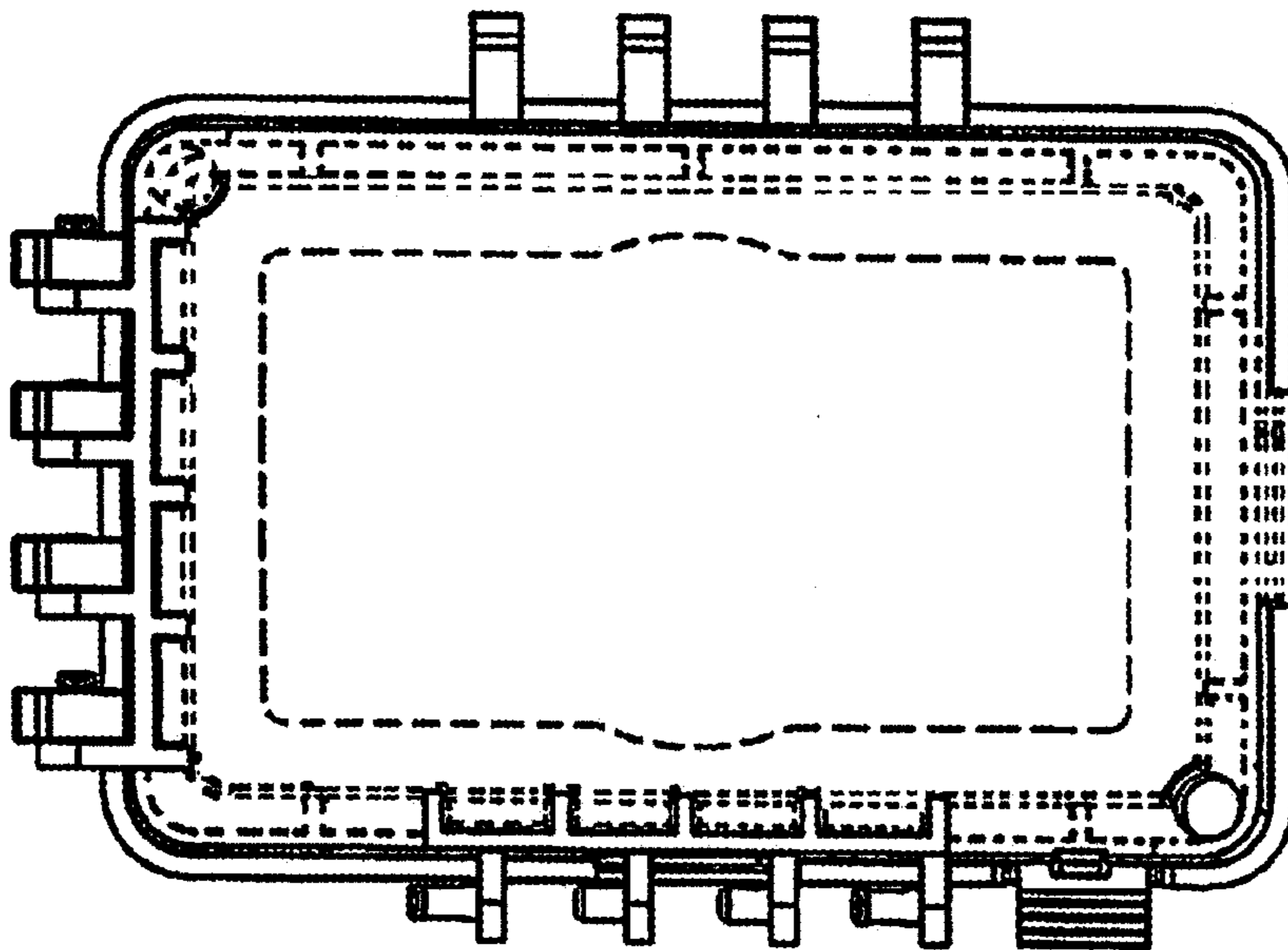


Fig. 7

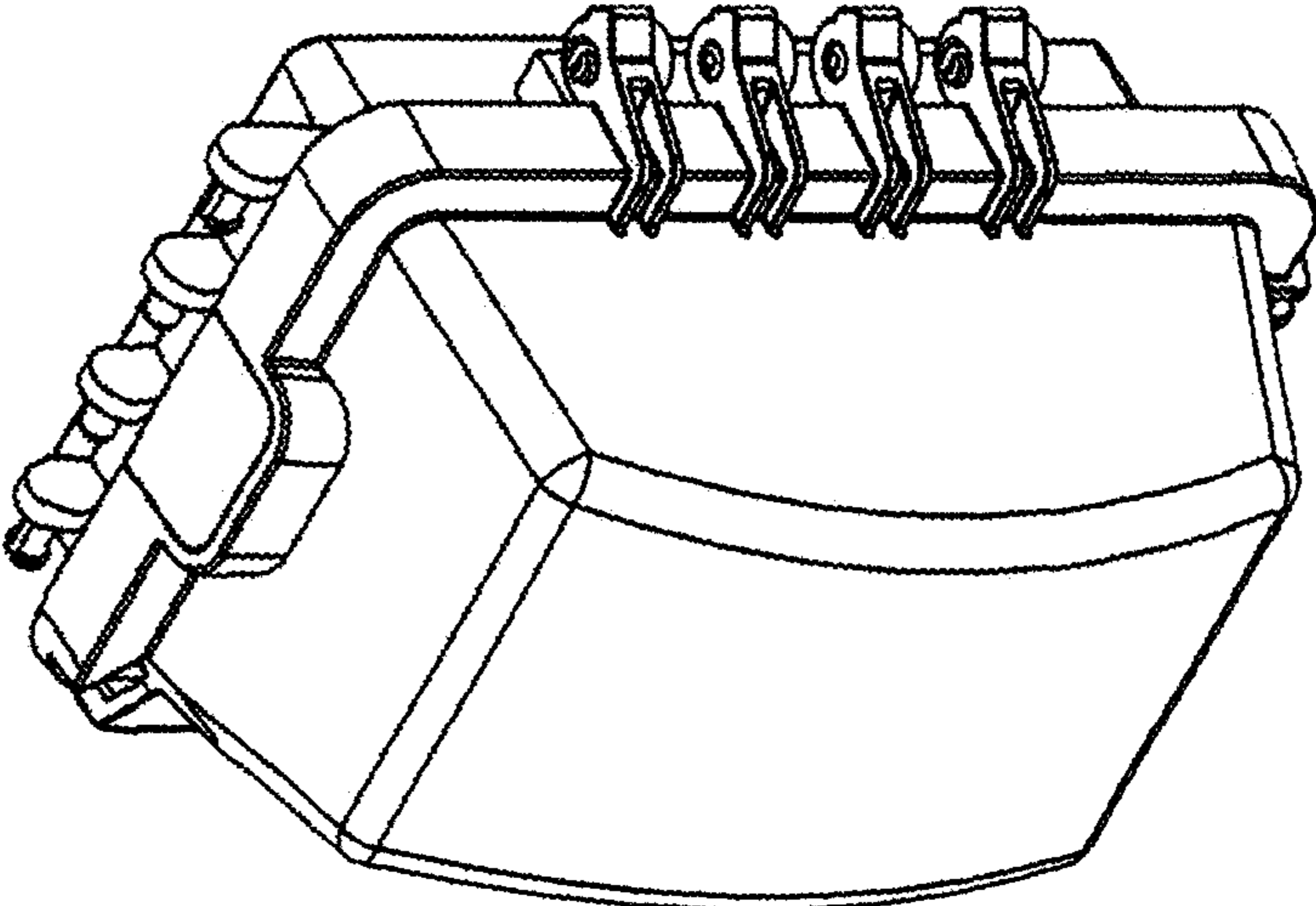


Fig. 8