



US00D768576S

(12) **United States Design Patent**
Yokoyama

(10) **Patent No.:** **US D768,576 S**

(45) **Date of Patent:** **** Oct. 11, 2016**

(54) **ELECTRICAL CONNECTOR**

(71) Applicant: **Japan Aviation Electronics Industry, Limited**, Tokyo (JP)

(72) Inventor: **Yohei Yokoyama**, Tokyo (JP)

(73) Assignee: **JAPAN AVIATION ELECTRONICS INDUSTRY, LIMITED**, Tokyo (JP)

(**) Term: **15 Years**

(21) Appl. No.: **29/555,063**

(22) Filed: **Feb. 18, 2016**

(30) **Foreign Application Priority Data**

Sep. 3, 2015 (JP) 2015-019518

(51) **LOC (10) Cl.** **13-03**

(52) **U.S. Cl.**
USPC **D13/147**

(58) **Field of Classification Search**
USPC D13/146, 147, 154, 184, 199; D14/432, D14/433, 435.1

CPC .. H01R 24/60; H01R 24/70; H01R 13/5205; H01R 13/5219; H01R 13/642; H01R 13/6471; H01R 13/6581; H01R 13/6582; H01R 13/6285; H01R 13/6591; H01R 13/6596

See application file for complete search history.

(56) **References Cited**

U.S. PATENT DOCUMENTS

D516,519 S * 3/2006 Nishio D13/147
D517,491 S * 3/2006 Nishio D13/147

D518,790 S * 4/2006 Nishio D13/147
D524,748 S * 7/2006 Chiang D13/147
D526,621 S * 8/2006 Shang Yen D13/147
D527,347 S * 8/2006 Shang Yen D13/147
D706,723 S * 6/2014 Yokoyama D13/147
D732,478 S * 6/2015 Kang D13/147

* cited by examiner

Primary Examiner — Daniel Bui

(74) *Attorney, Agent, or Firm* — Manabu Kanesaka

(57) **CLAIM**

The ornamental design for an electrical connector, as shown and described.

DESCRIPTION

FIG. 1 is a front elevational view of an electrical connector showing my new design;

FIG. 2 is a rear elevational view thereof;

FIG. 3 is a right side elevational view thereof;

FIG. 4 is a left side elevational view thereof;

FIG. 5 is a top plan view thereof;

FIG. 6 is a bottom plan view thereof;

FIG. 7 is a perspective view showing a front, top and right side thereof;

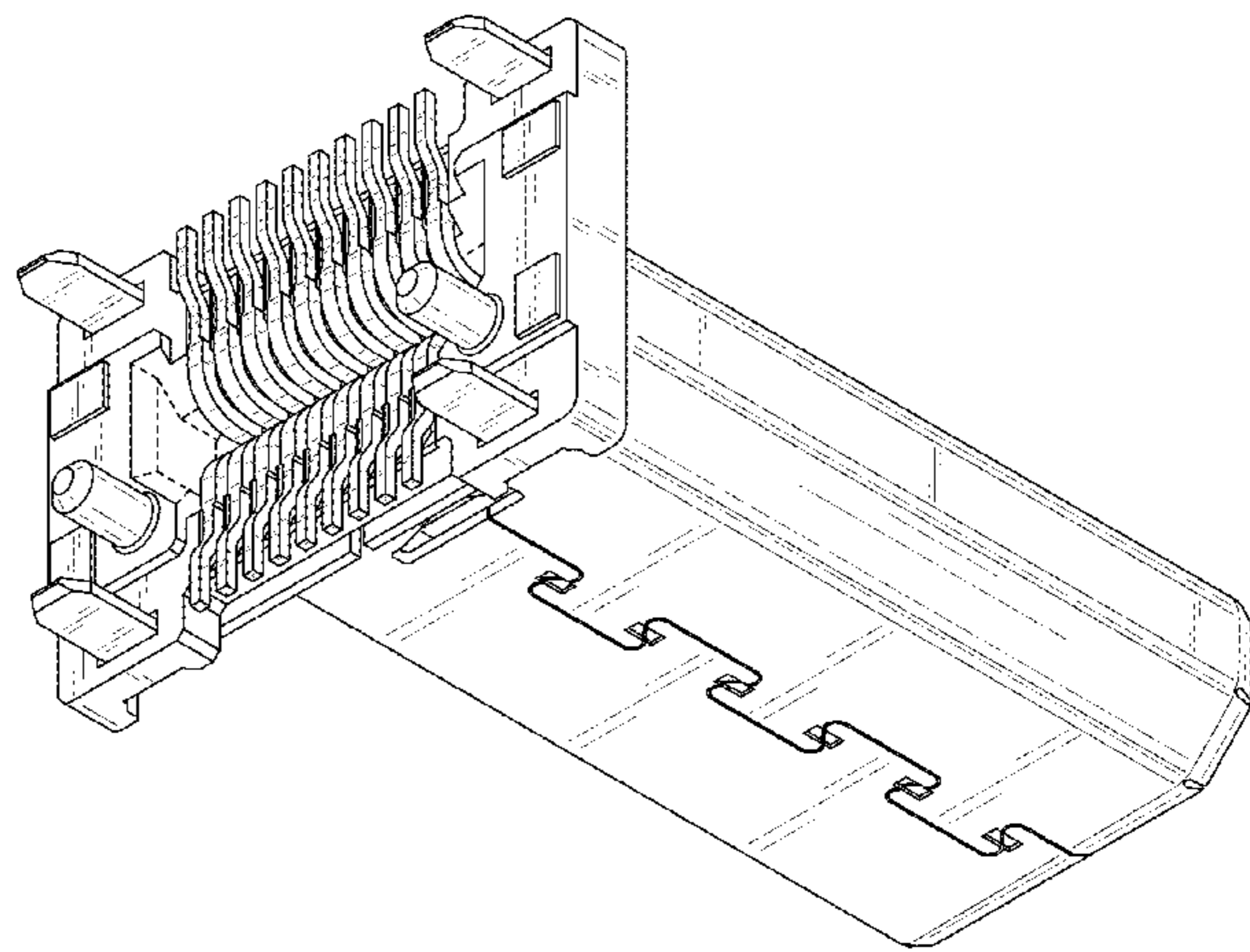
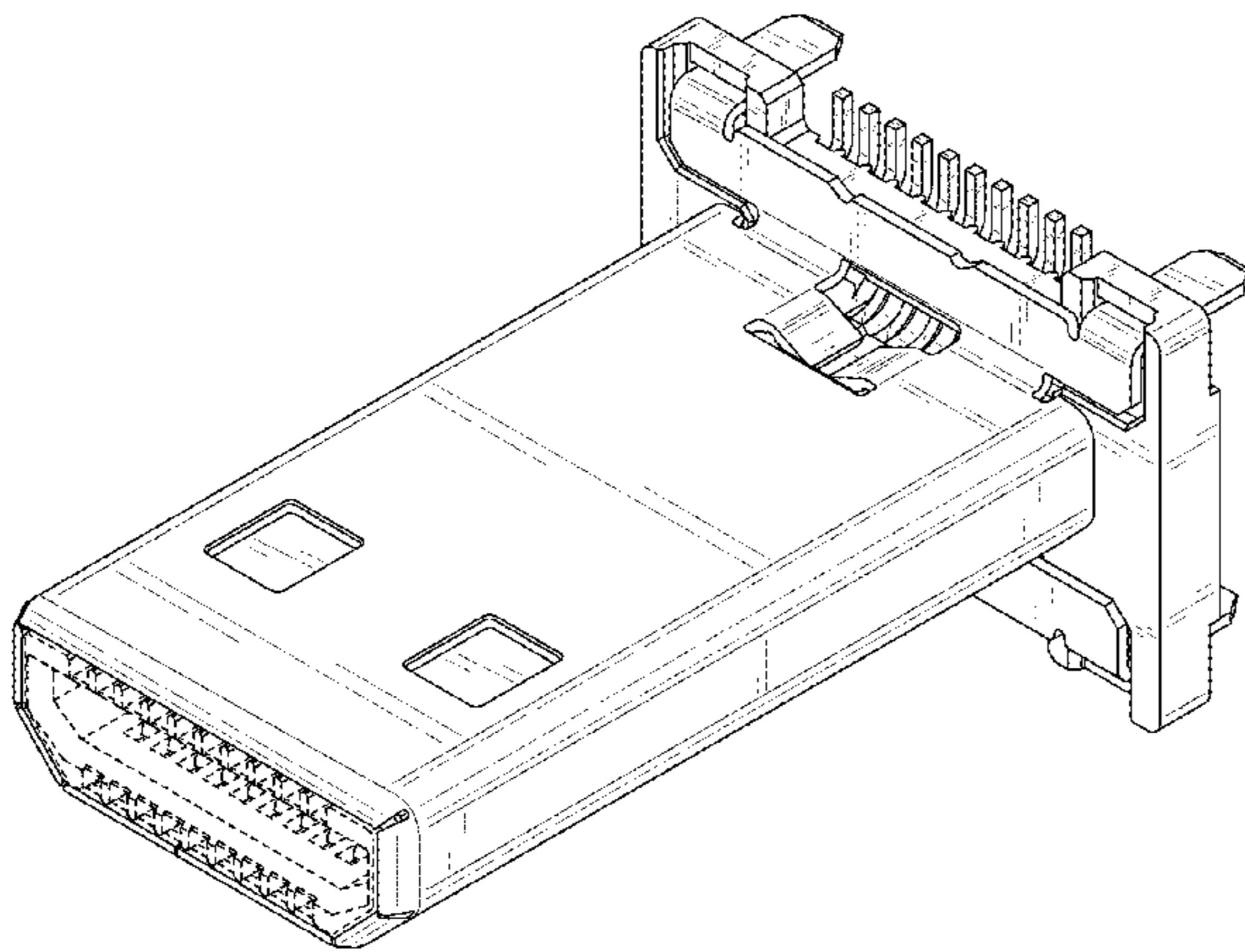
FIG. 8 is a perspective view showing a rear, bottom and left side thereof;

FIG. 9 is a perspective view showing a front, right side and bottom thereof; and,

FIG. 10 is a perspective view showing a rear, left side and top thereof.

The broken lines are shown for environmental purposes only and depict portions of the electrical connector that form no part of claimed design.

1 Claim, 8 Drawing Sheets



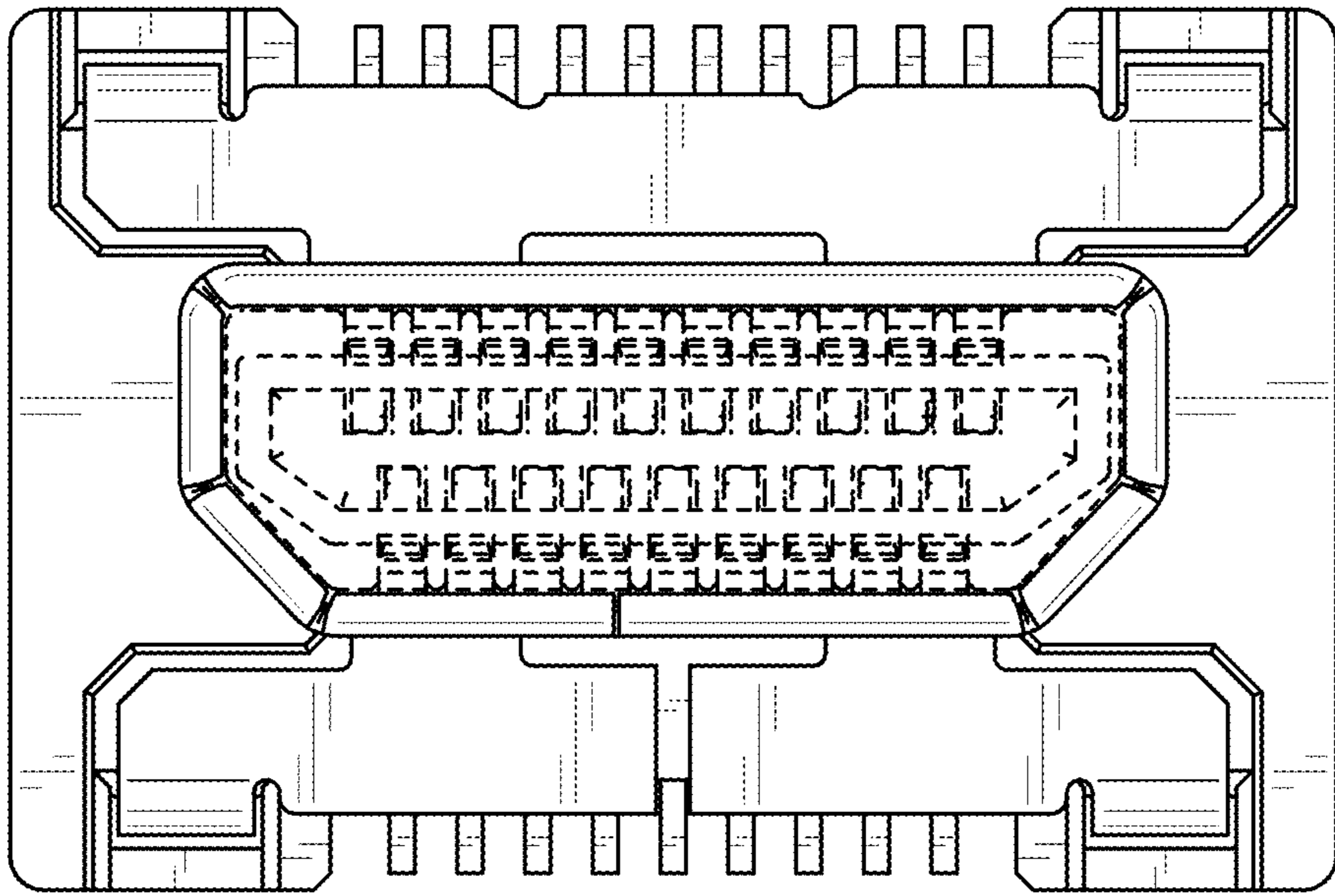


FIG. 1

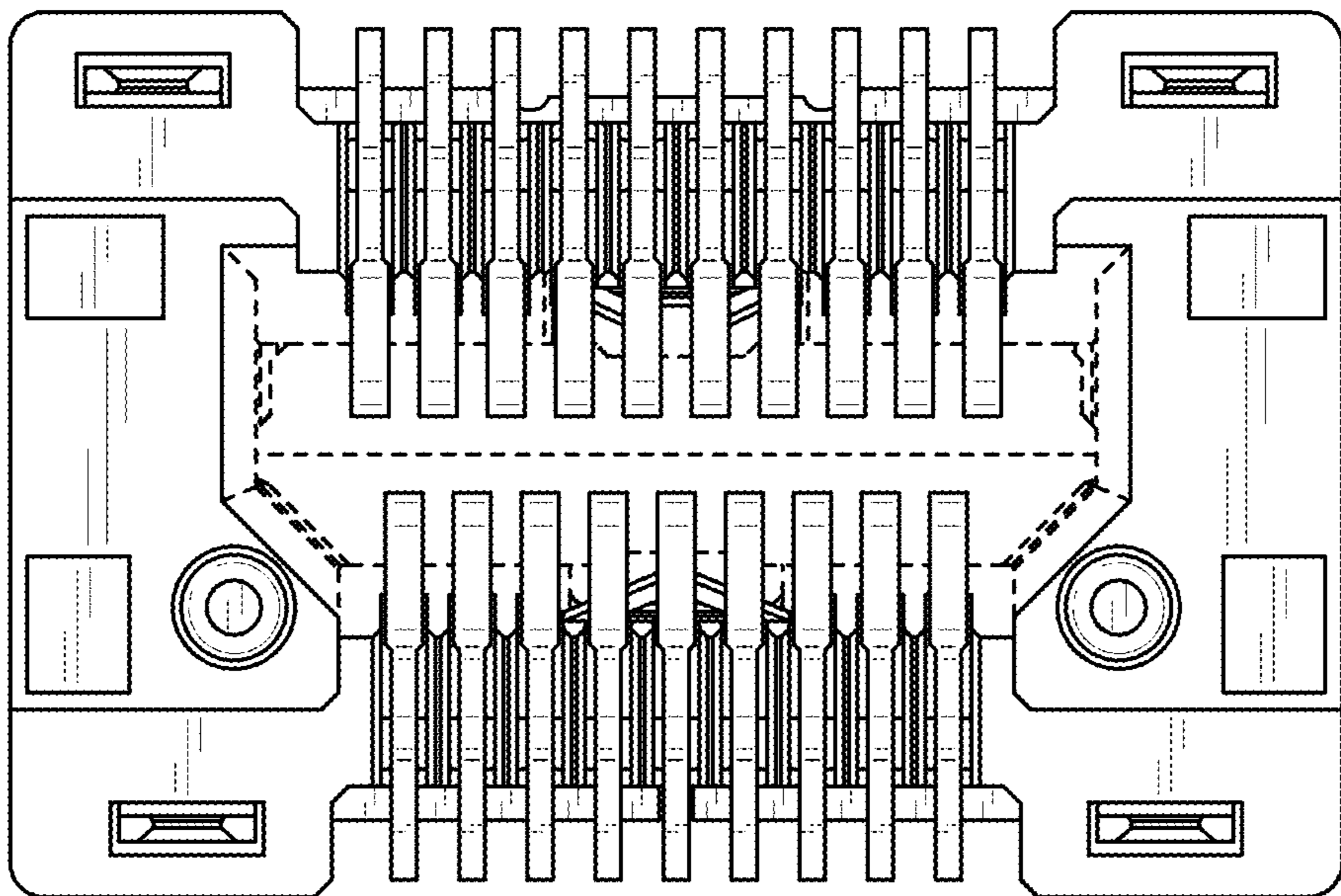


FIG. 2

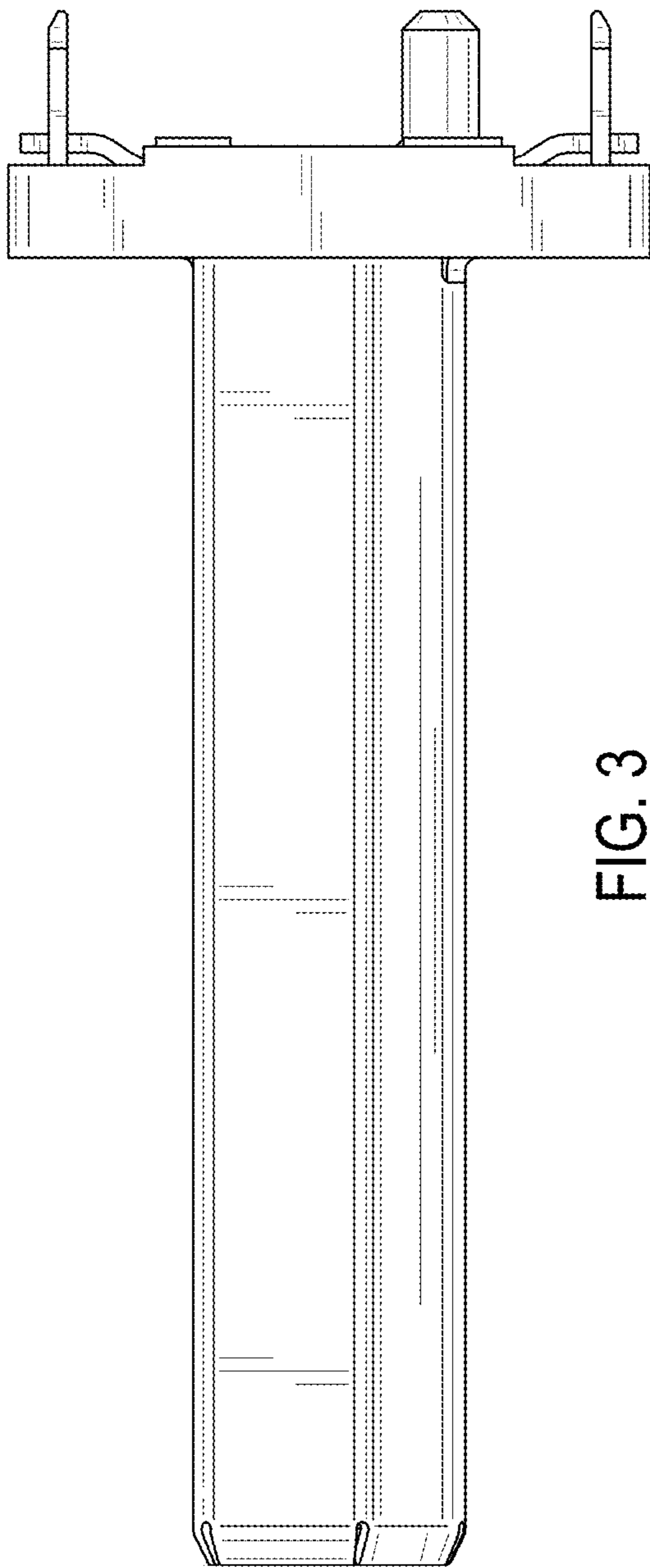


FIG. 3

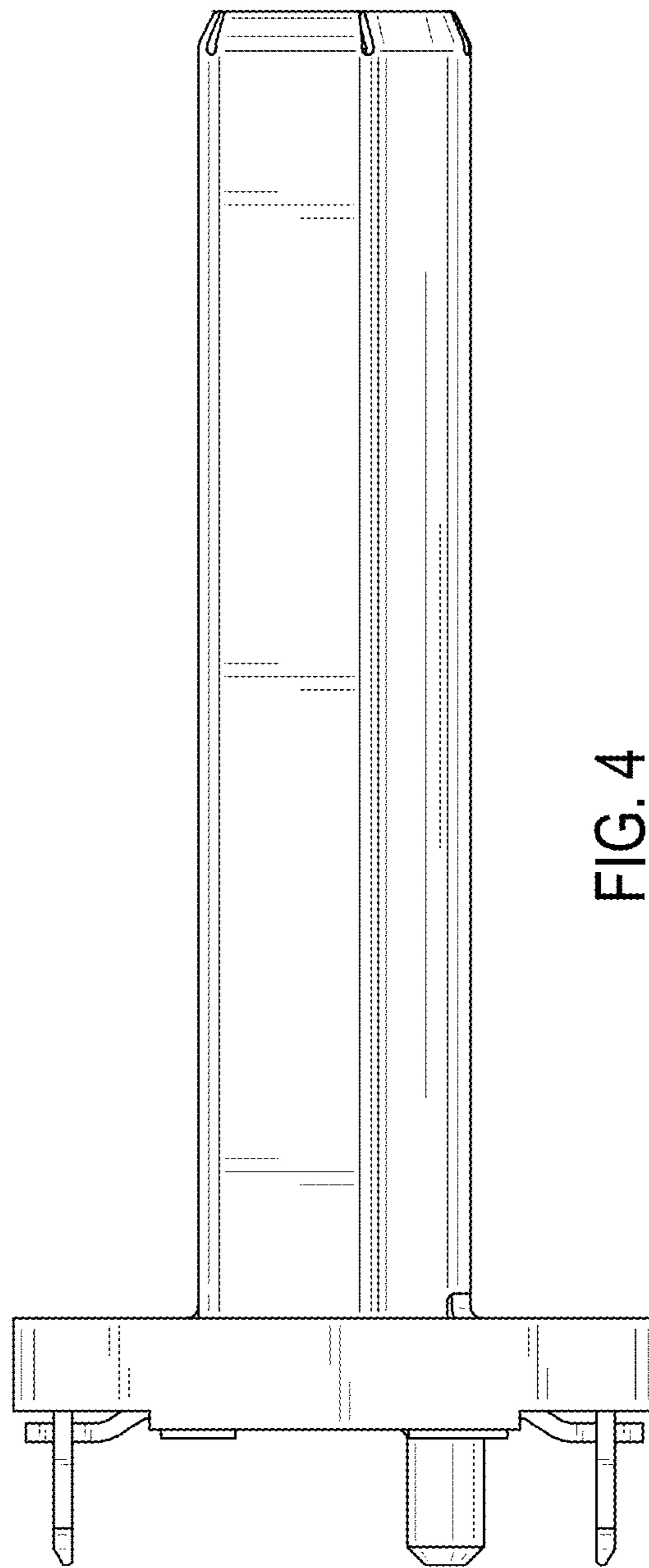


FIG. 4

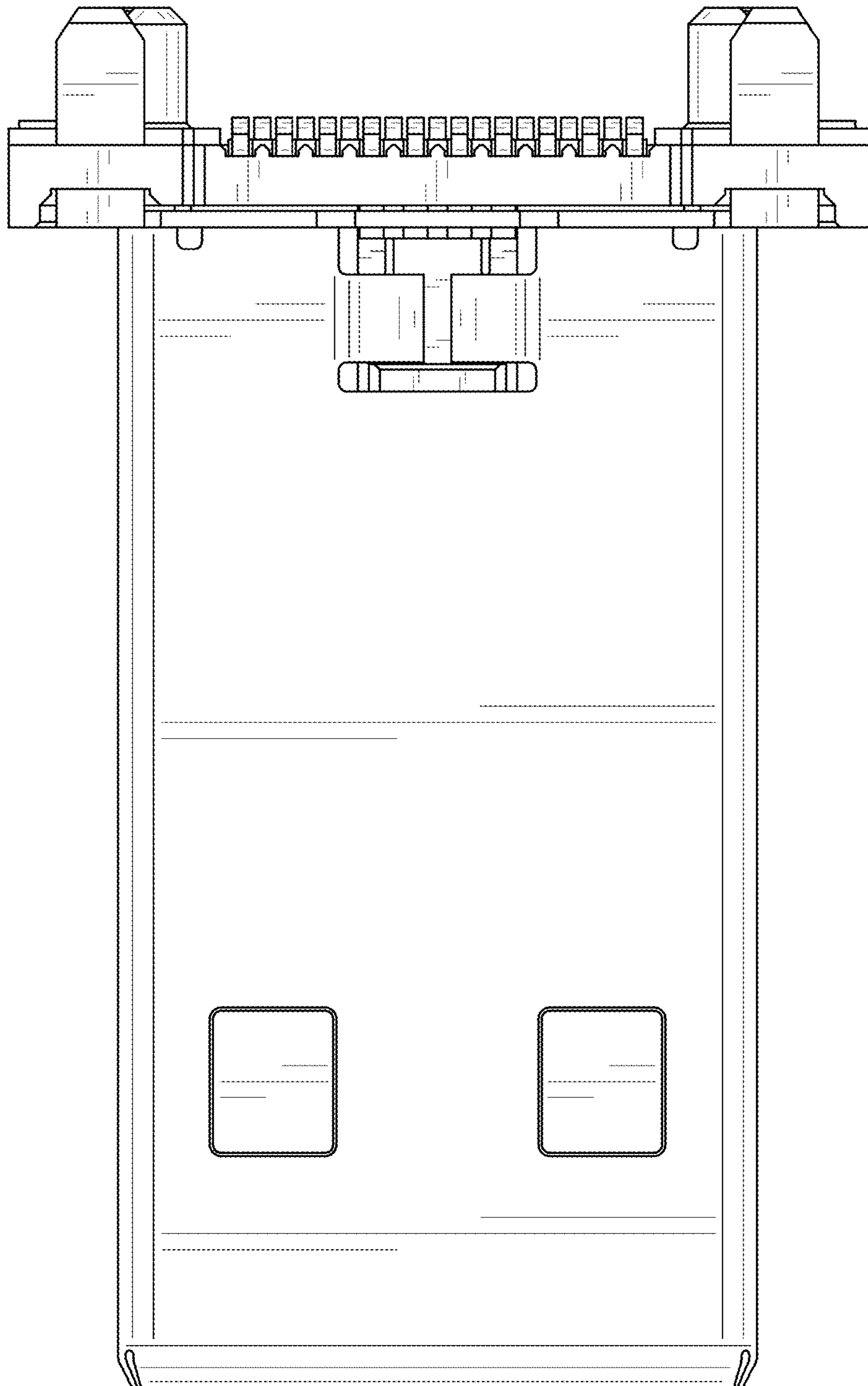


FIG. 5

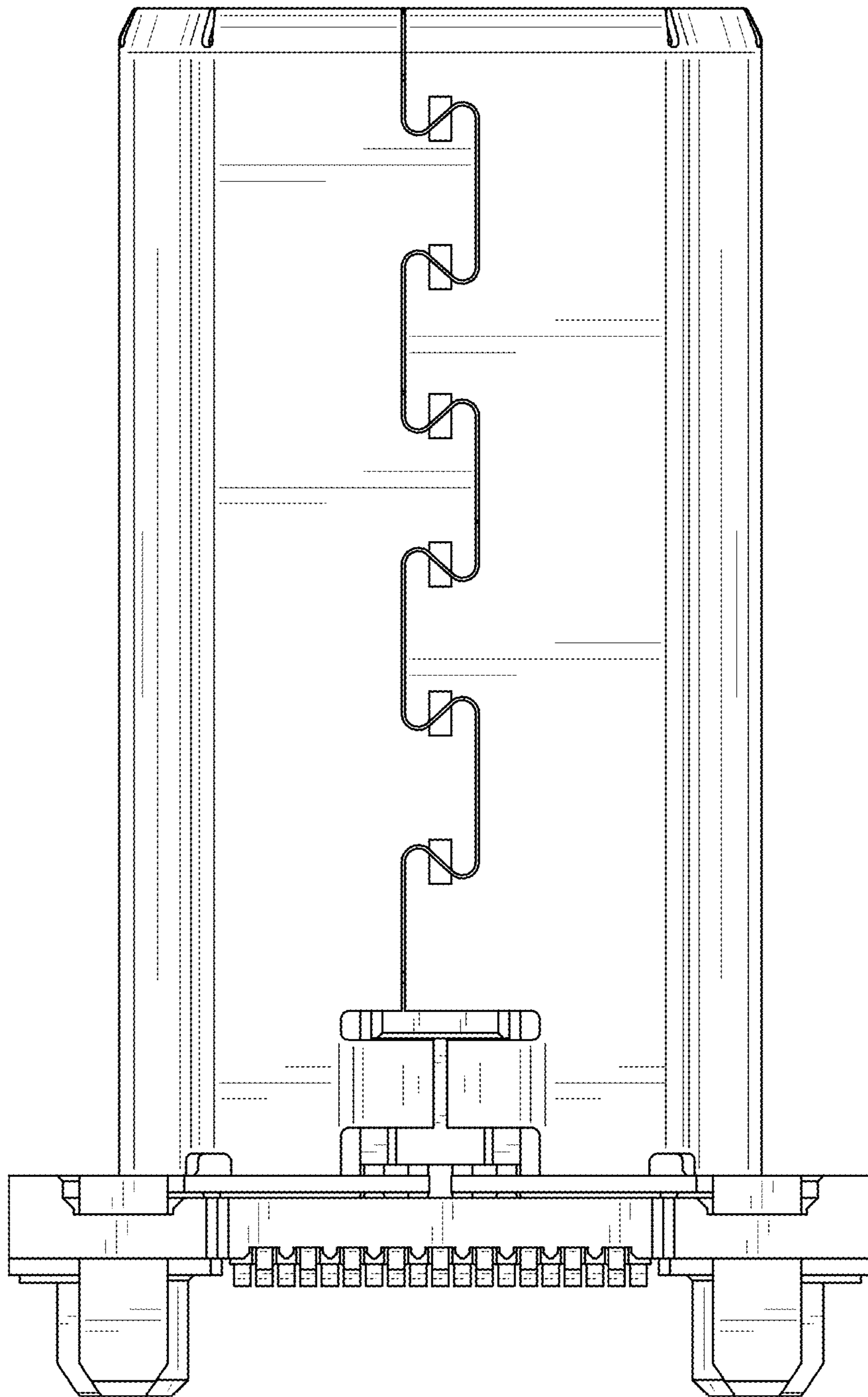


FIG. 6

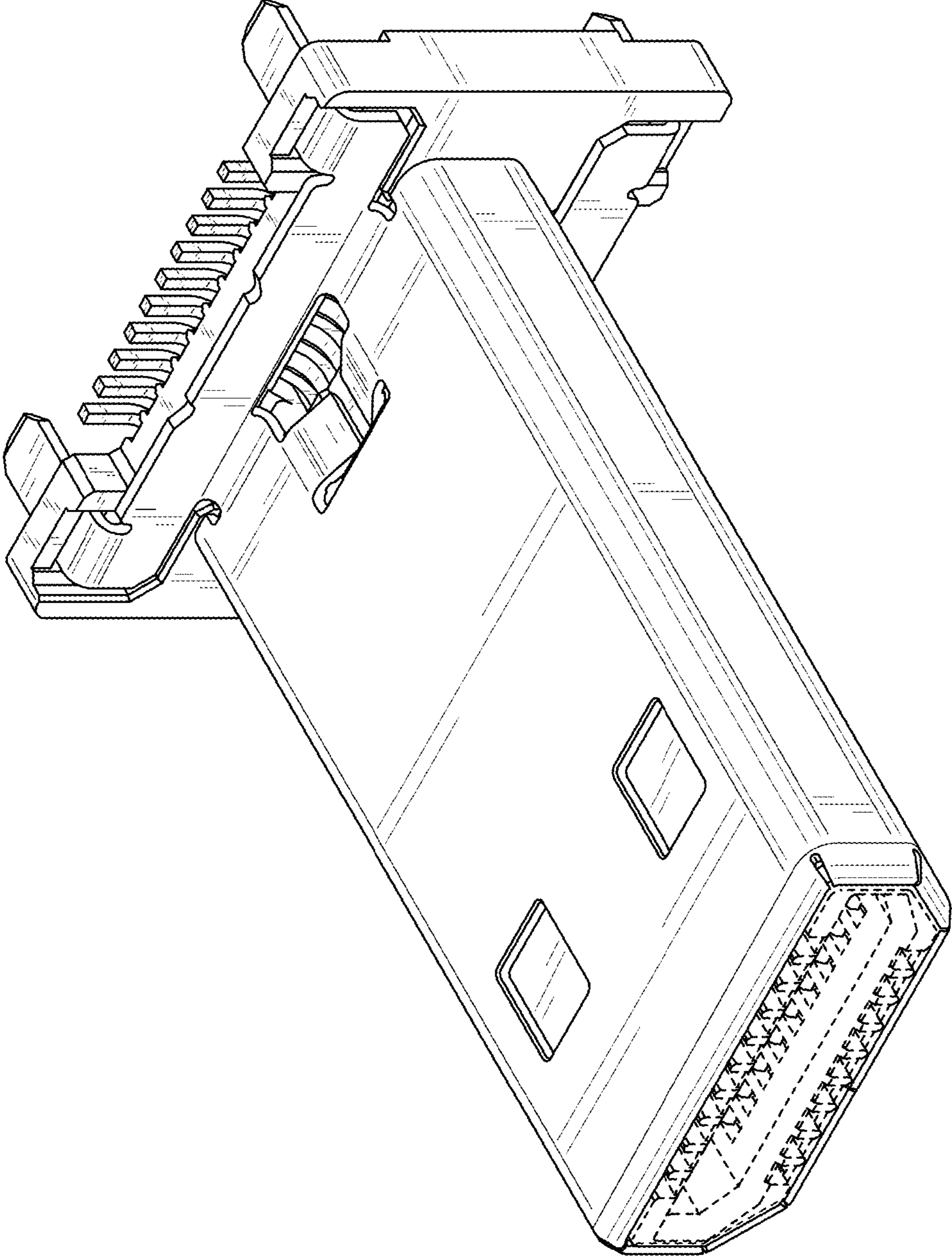


FIG. 7

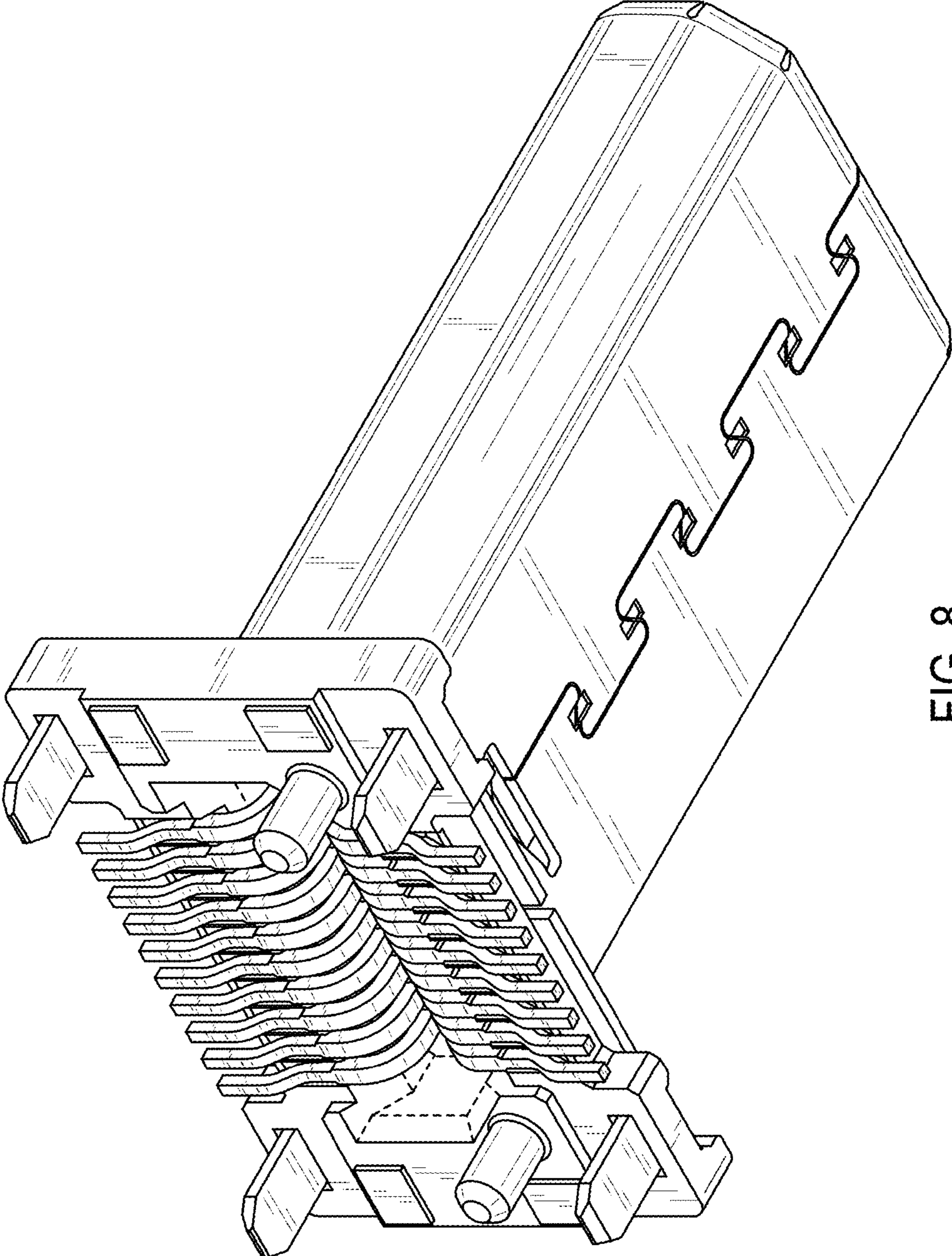


FIG. 8

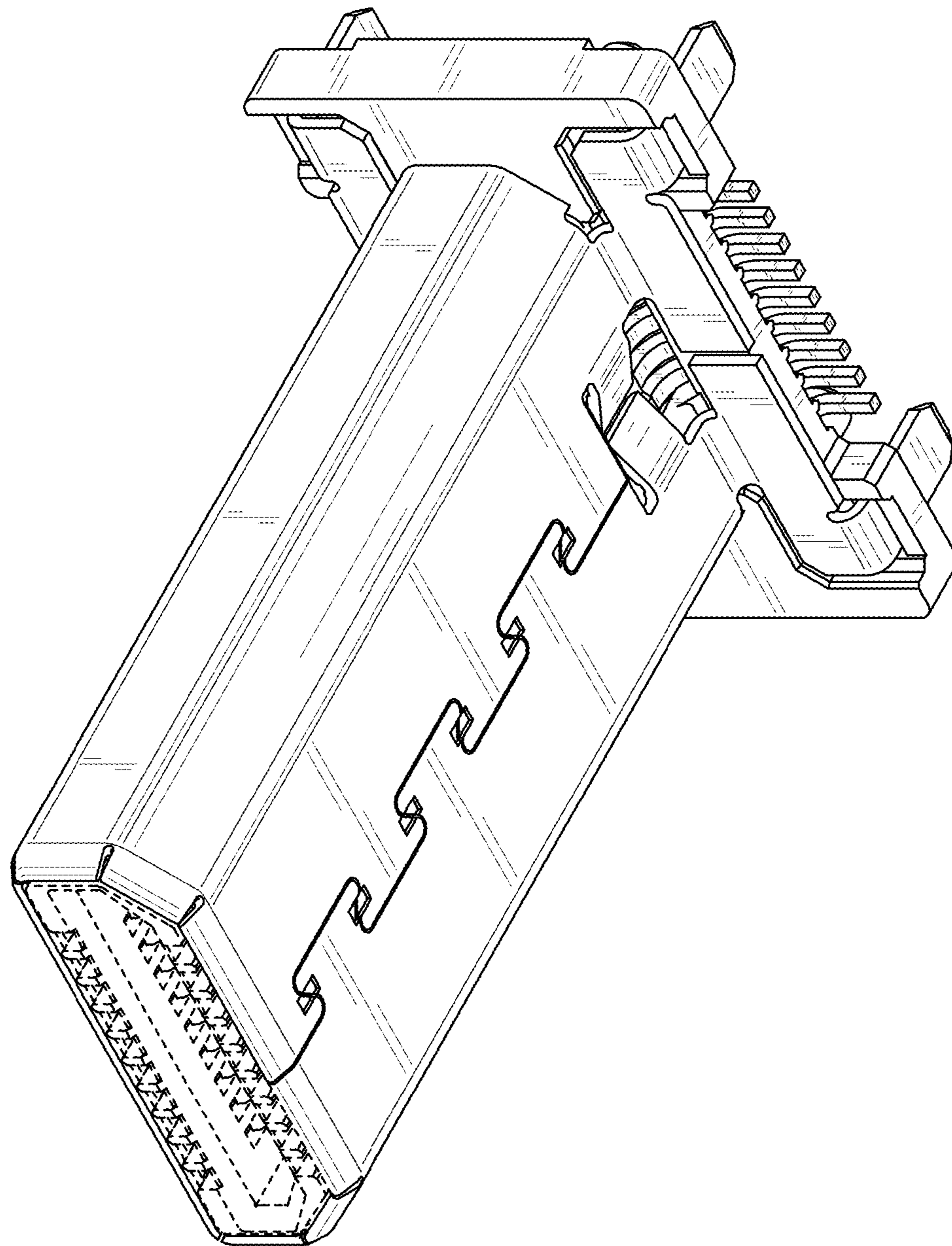


FIG. 9

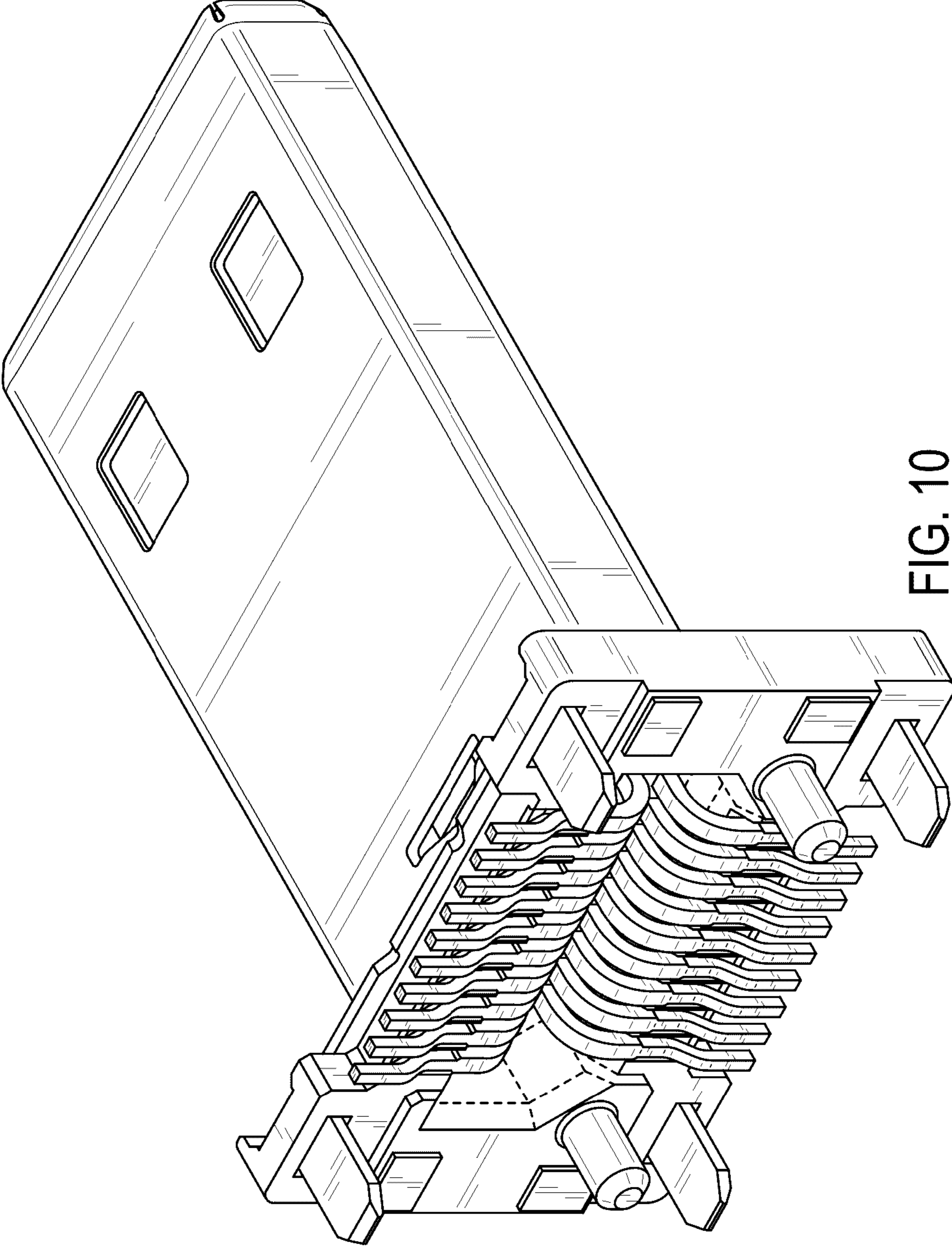


FIG. 10