



US00D768575S

(12) **United States Design Patent**  
**Zhou**

(10) **Patent No.:** **US D768,575 S**

(45) **Date of Patent:** **\*\* Oct. 11, 2016**

(54) **CONNECTOR**

(71) Applicant: **Shengling Zhou**, Shenzhen (CN)

(72) Inventor: **Shengling Zhou**, Shenzhen (CN)

(\*\*) Term: **14 Years**

(21) Appl. No.: **29/526,571**

(22) Filed: **May 11, 2015**

(30) **Foreign Application Priority Data**

Jan. 6, 2015 (CN) ..... 2015 3 0003179

(51) **LOC (10) Cl.** ..... **13-03**

(52) **U.S. Cl.**  
USPC ..... **D13/147**

(58) **Field of Classification Search**  
USPC ..... D13/133, 147, 153, 154, 184, 199  
See application file for complete search history.

(56) **References Cited**

**U.S. PATENT DOCUMENTS**

D304,027 S \* 10/1989 Matsuzaki ..... D13/147  
D304,028 S \* 10/1989 Matsuzaki ..... D13/147  
D355,891 S \* 2/1995 Ditzig ..... D13/147

D399,047 S \* 10/1998 Yoshida ..... D13/147  
D466,479 S \* 12/2002 Pein ..... D13/147  
D477,571 S \* 7/2003 Huang ..... D13/147

\* cited by examiner

*Primary Examiner* — Daniel Bui

(74) *Attorney, Agent, or Firm* — Michael Best & Friedrich LLP

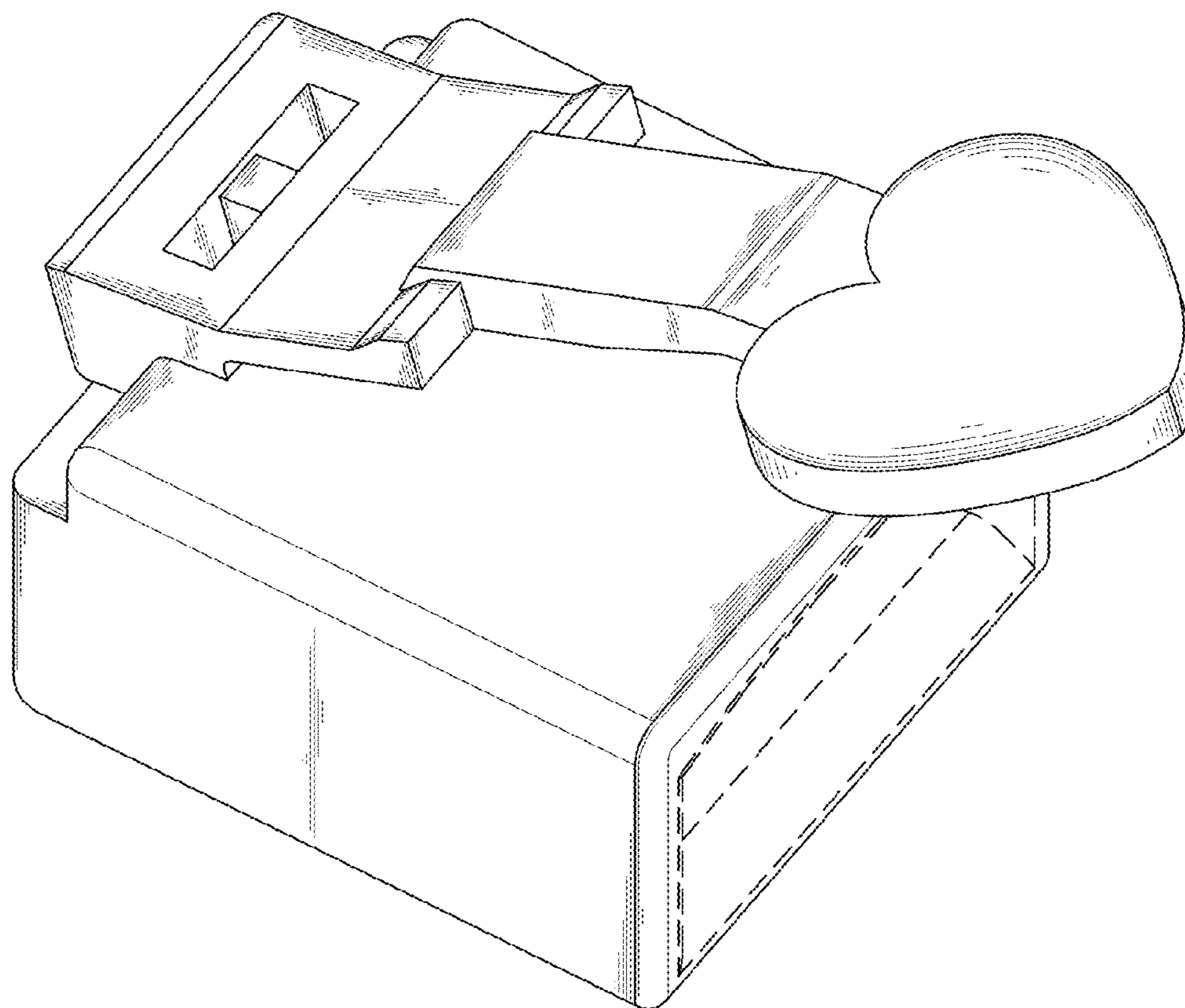
(57) **CLAIM**

I claim the ornamental design for a connector, as shown and described.

**DESCRIPTION**

FIG. 1 is a front elevation view of a connector showing my new design;  
FIG. 2 is a rear elevation view thereof;  
FIG. 3 is a left side elevation view thereof;  
FIG. 4 is a right side elevation view thereof;  
FIG. 5 is a top plan view thereof;  
FIG. 6 is a bottom plan view thereof;  
FIG. 7 is a front, left and bottom perspective view thereof;  
and,  
FIG. 8 is a front, right and bottom perspective view thereof.  
The broken line showing of the environment is for illustrative purposes only and forms no part of the claimed design.

**1 Claim, 8 Drawing Sheets**



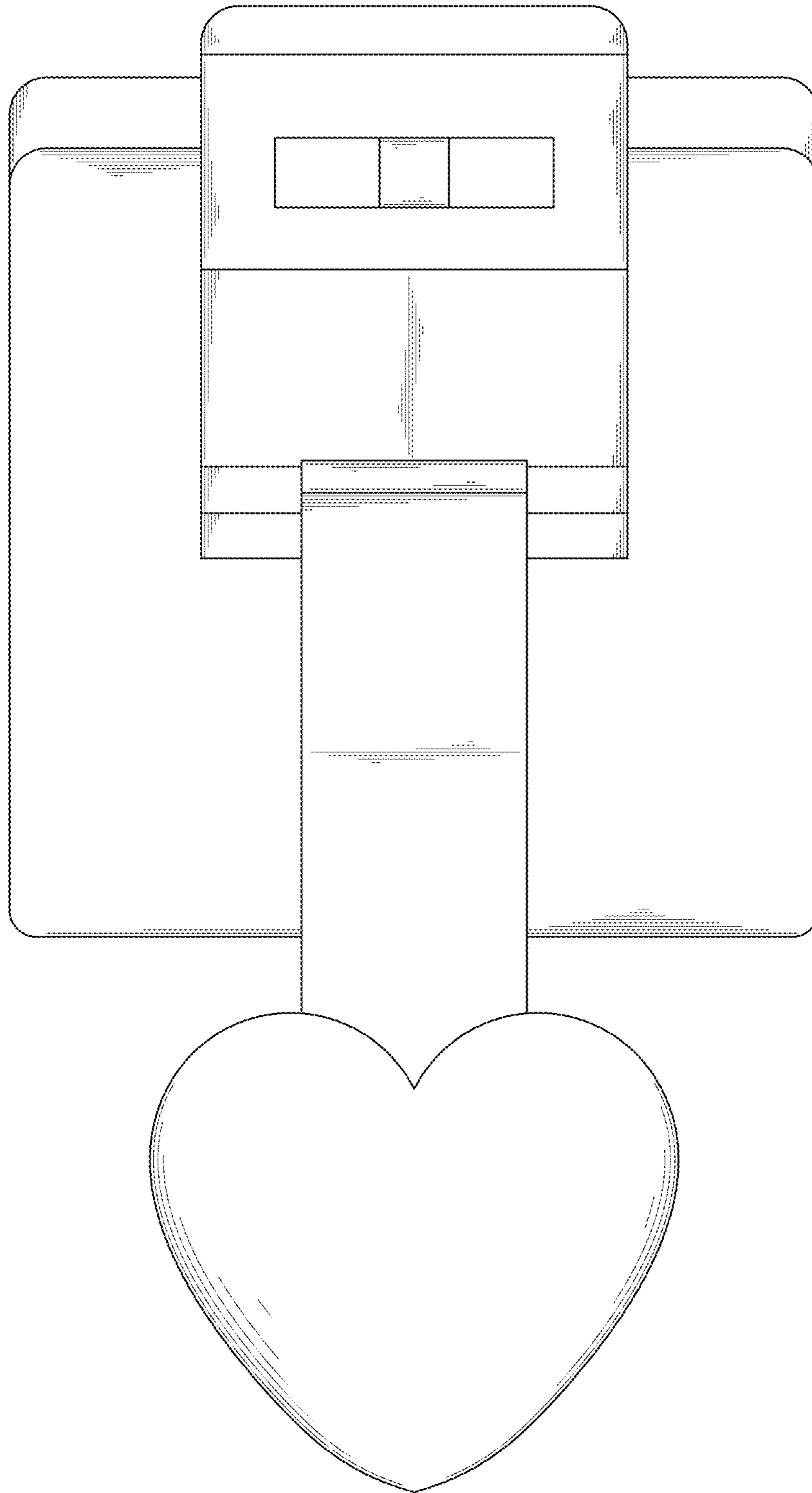


FIG. 1

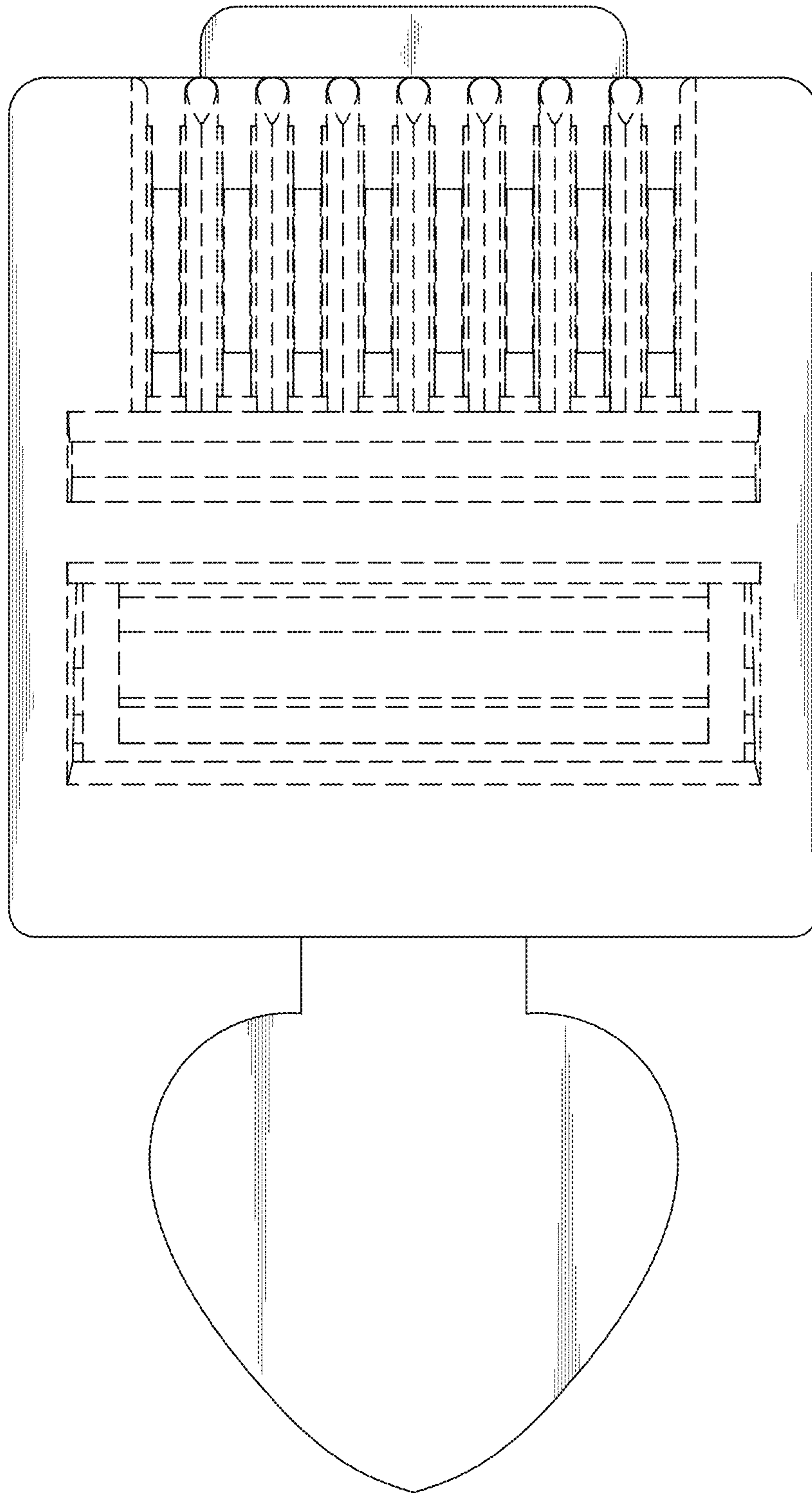


FIG. 2

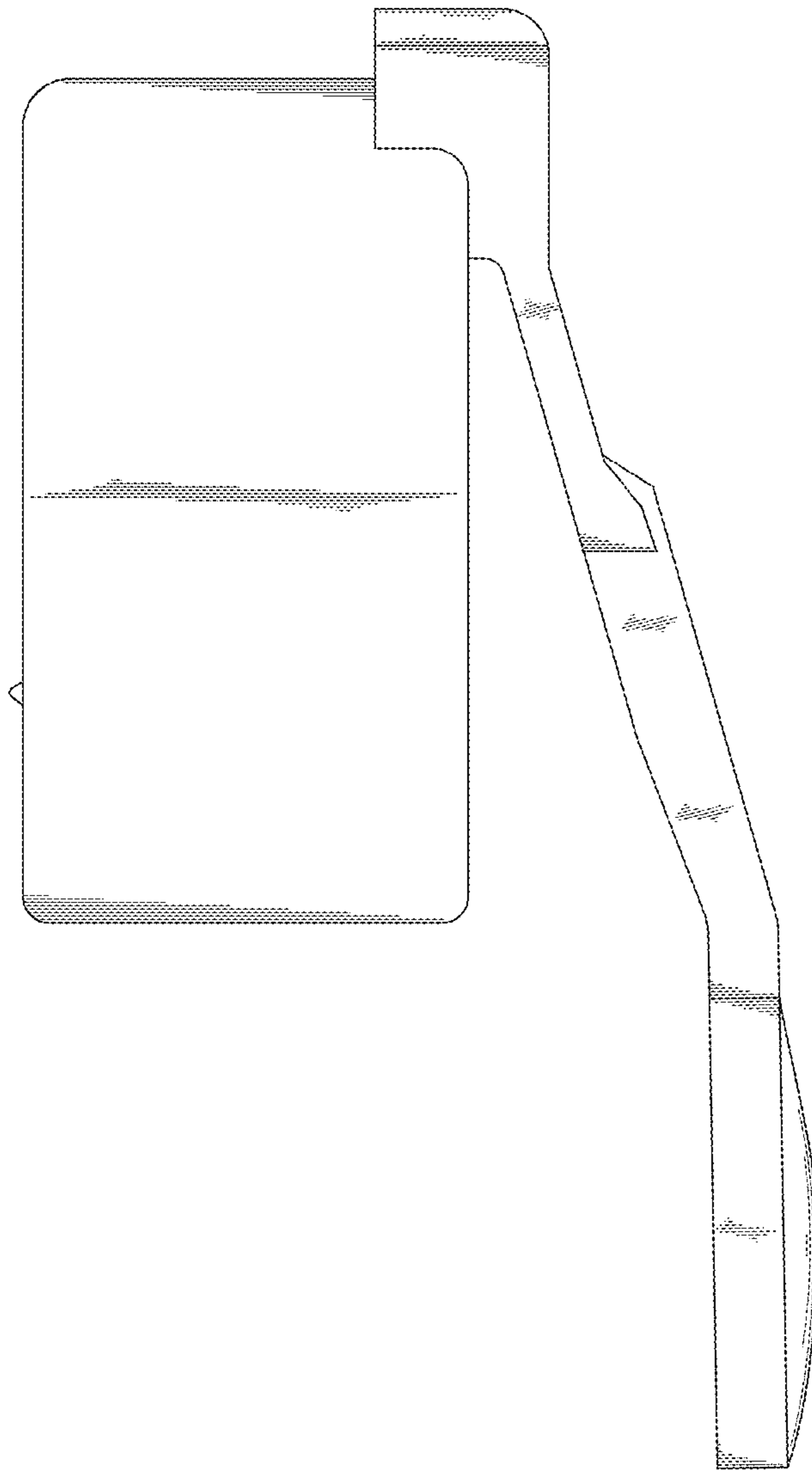


FIG. 3

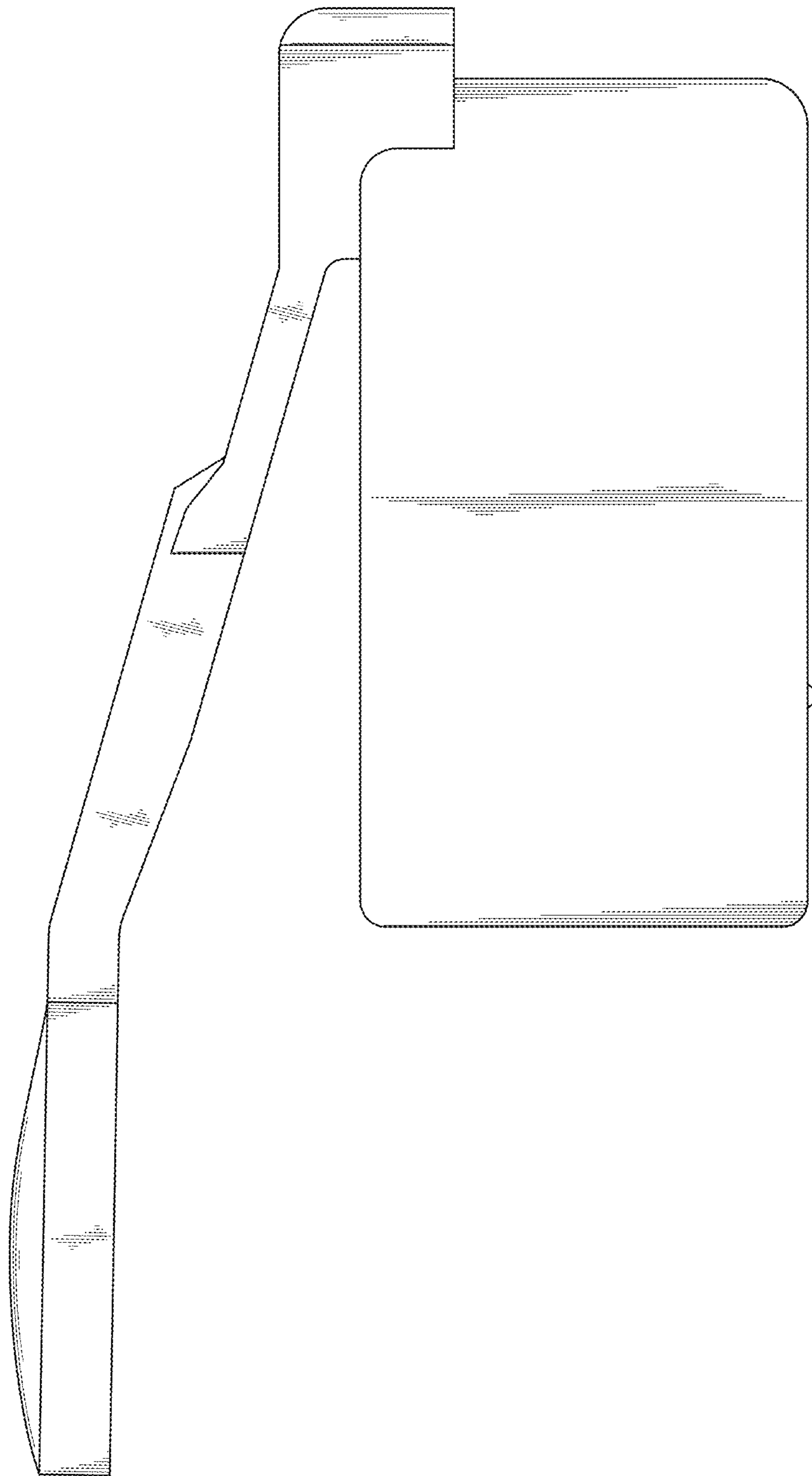


FIG. 4

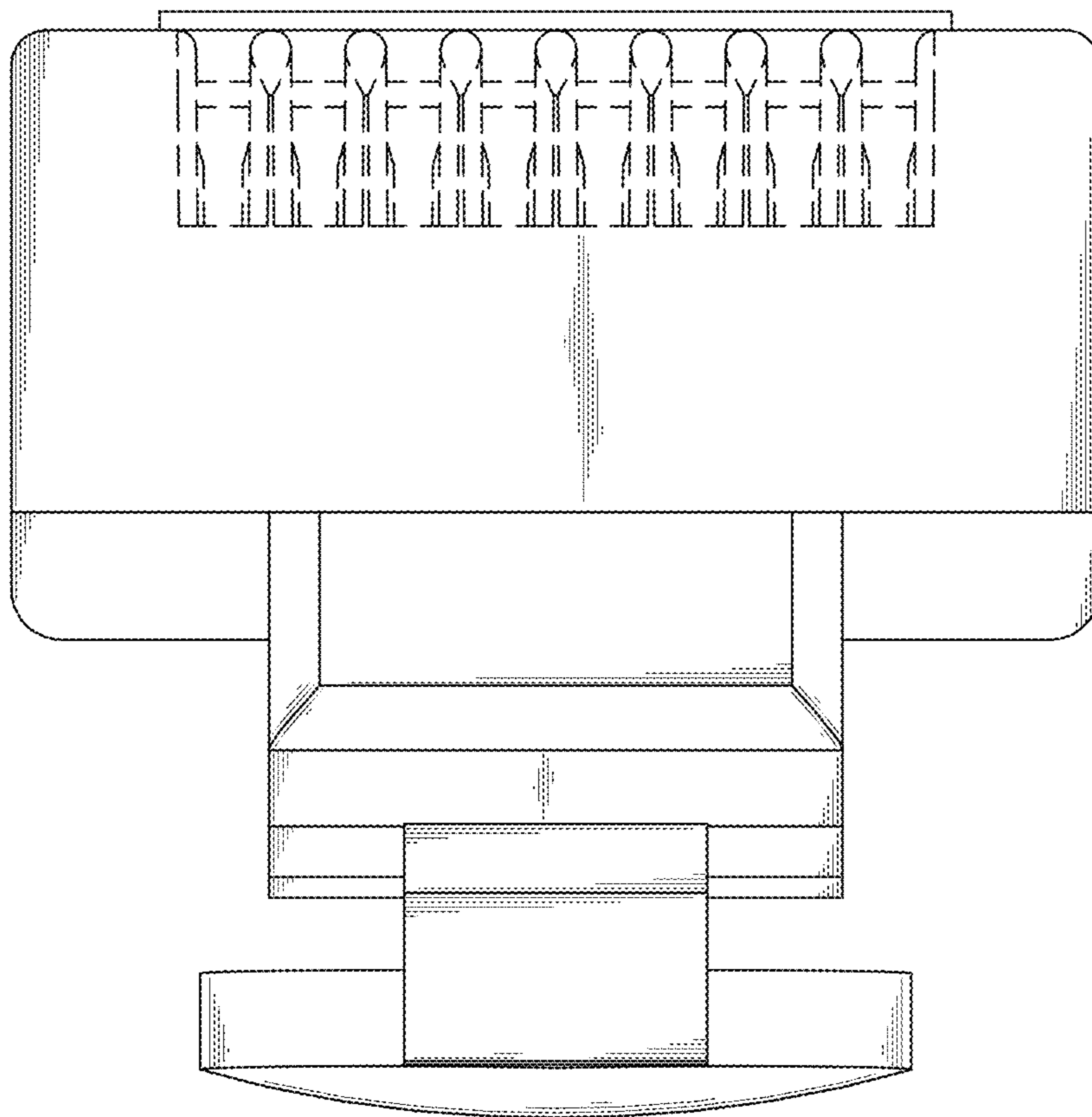


FIG. 5

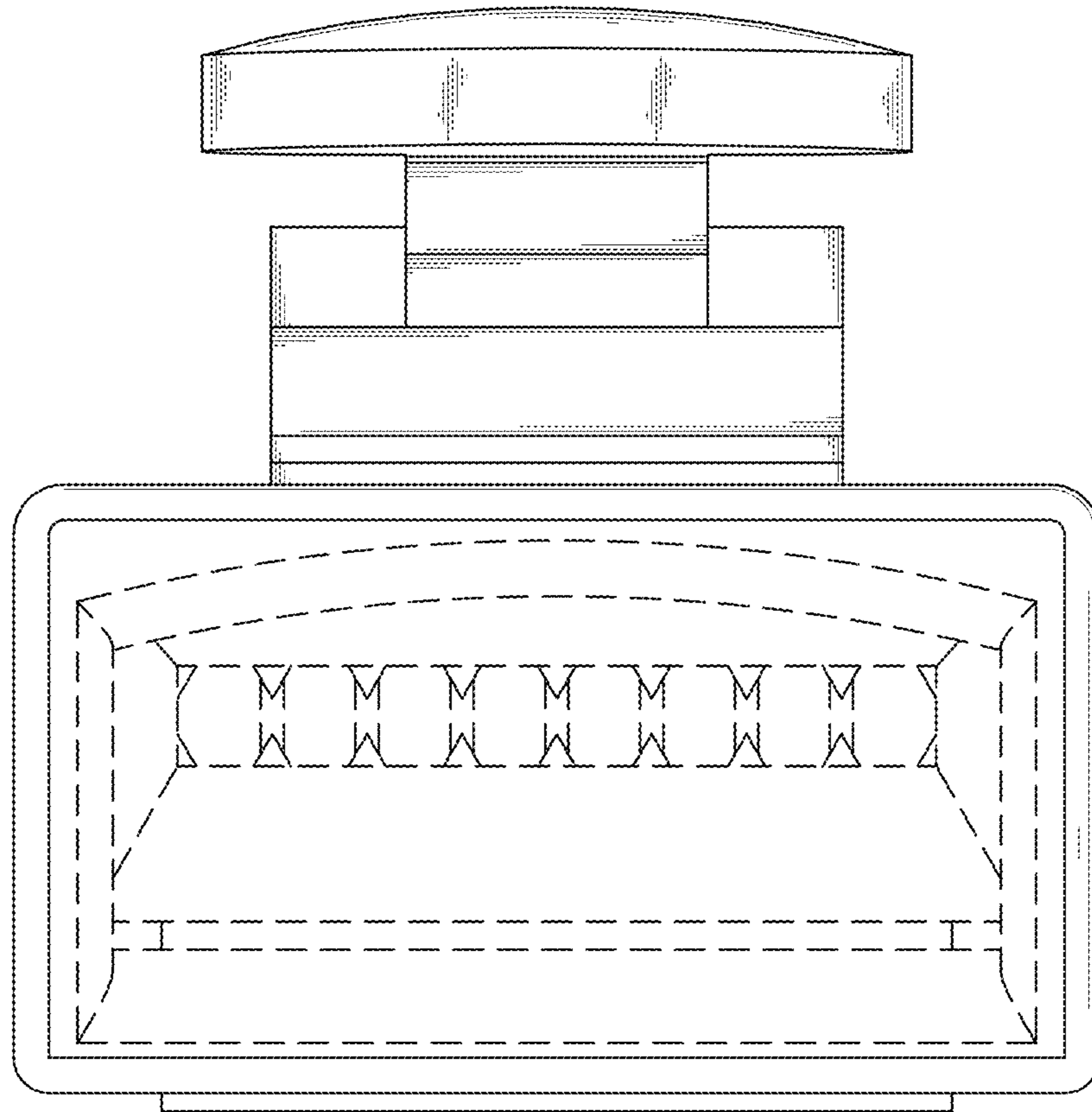


FIG. 6

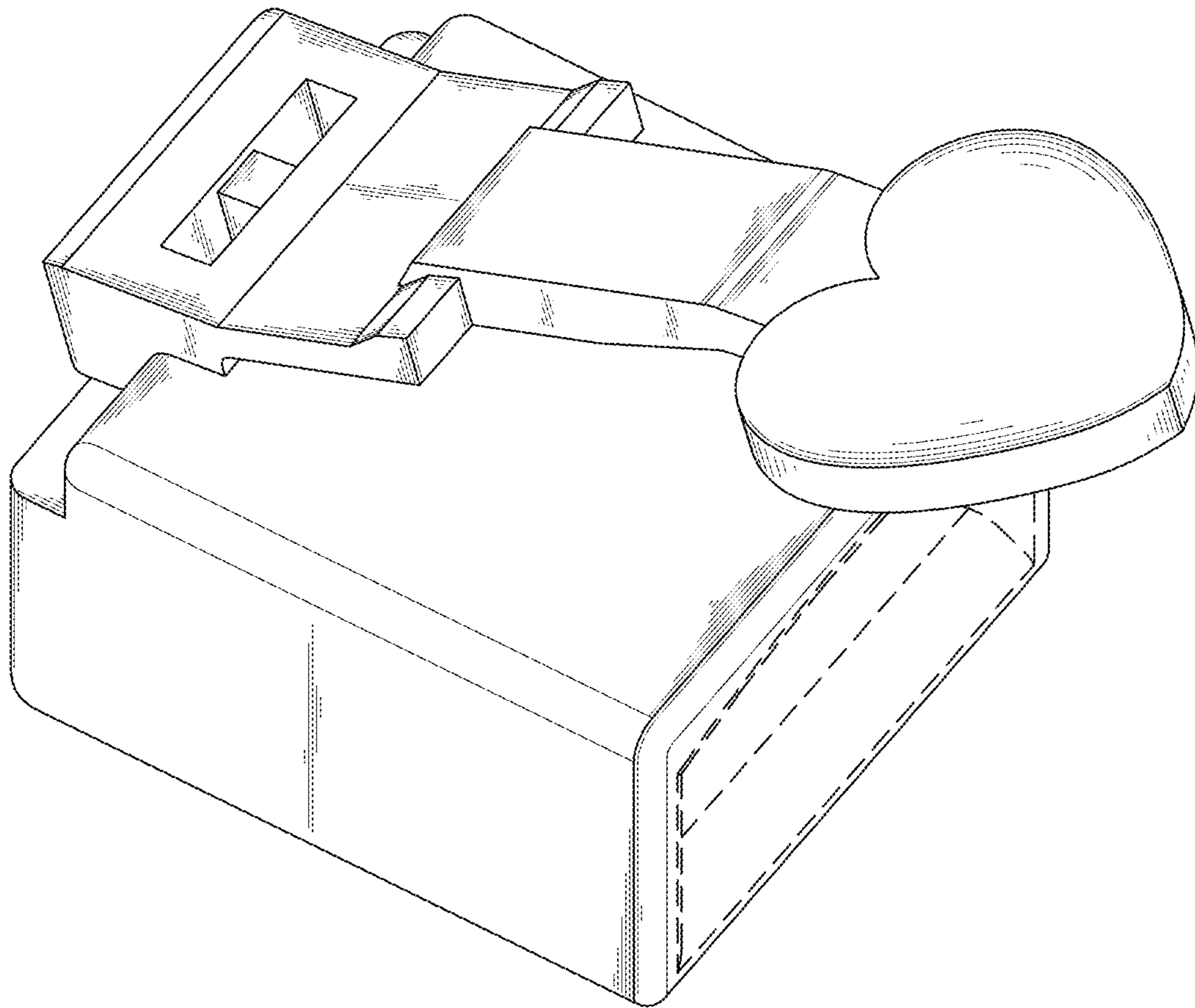


FIG. 7



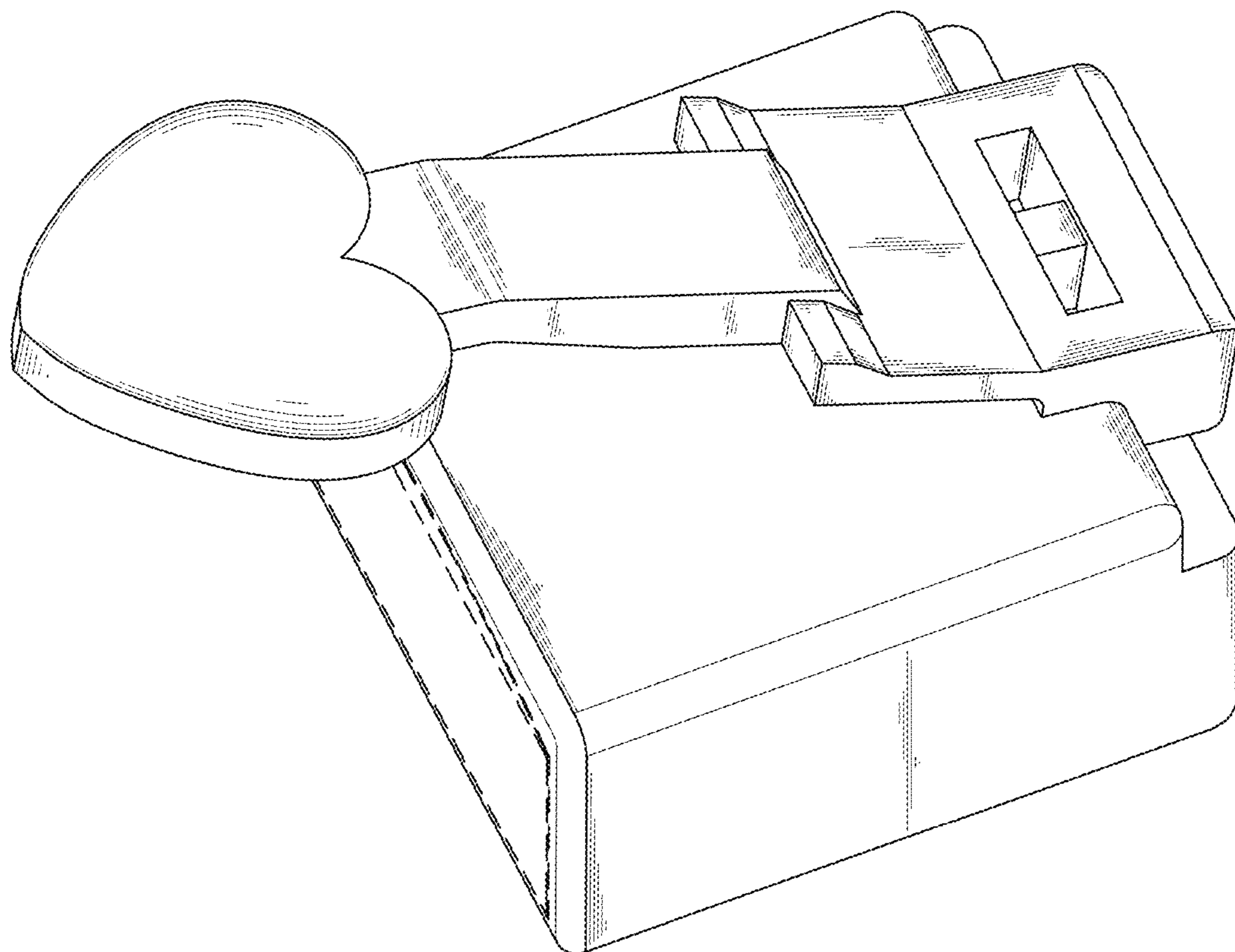


FIG. 8