



US00D768573S

(12) **United States Design Patent**  
**Tien**

(10) **Patent No.:** **US D768,573 S**

(45) **Date of Patent:** **\*\* Oct. 11, 2016**

(54) **DATA CABLE**

(71) Applicant: **HON HAI PRECISION INDUSTRY CO., LTD.**, New Taipei (TW)

(72) Inventor: **Li-Wen Tien**, New Taipei (TW)

(73) Assignee: **HON HAI PRECISION INDUSTRY CO., LTD.**, New Taipei (TW)

(\*\*) Term: **14 Years**

(21) Appl. No.: **29/510,162**

(22) Filed: **Nov. 25, 2014**

(51) **LOC (10) Cl.** ..... **13-03**

(52) **U.S. Cl.**  
USPC ..... **D13/147**

(58) **Field of Classification Search**  
USPC ..... D13/133, 146, 147, 153, 154, 184, 199  
CPC ..... H01R 13/5812; H01R 13/5816; H01R 13/642; H01R 13/659; H01R 13/66; H01R 13/703; H01R 13/72; H02G 11/02; F21V 27/00; F21V 33/00

See application file for complete search history.

(56) **References Cited**

**U.S. PATENT DOCUMENTS**

D352,928 S \* 11/1994 Ford ..... D13/120  
D387,776 S \* 12/1997 Chan ..... D13/139.7

D465,222 S \* 11/2002 Wang ..... D13/137.4  
D576,947 S \* 9/2008 Wu ..... D13/133  
2007/0097670 A1\* 5/2007 Matthew ..... B60Q 3/007  
362/109

\* cited by examiner

*Primary Examiner* — Daniel Bui

(74) *Attorney, Agent, or Firm* — Zhigang Ma

(57) **CLAIM**

I claim the ornamental design for a data cable, as shown and described.

**DESCRIPTION**

FIG. 1 is a perspective view of a data cable showing my new design;

FIG. 2 is a front elevational view thereof;

FIG. 3 is a rear elevational view thereof;

FIG. 4 is a left side elevational view thereof;

FIG. 5 is a right side elevational view thereof;

FIG. 6 is a top plan view thereof;

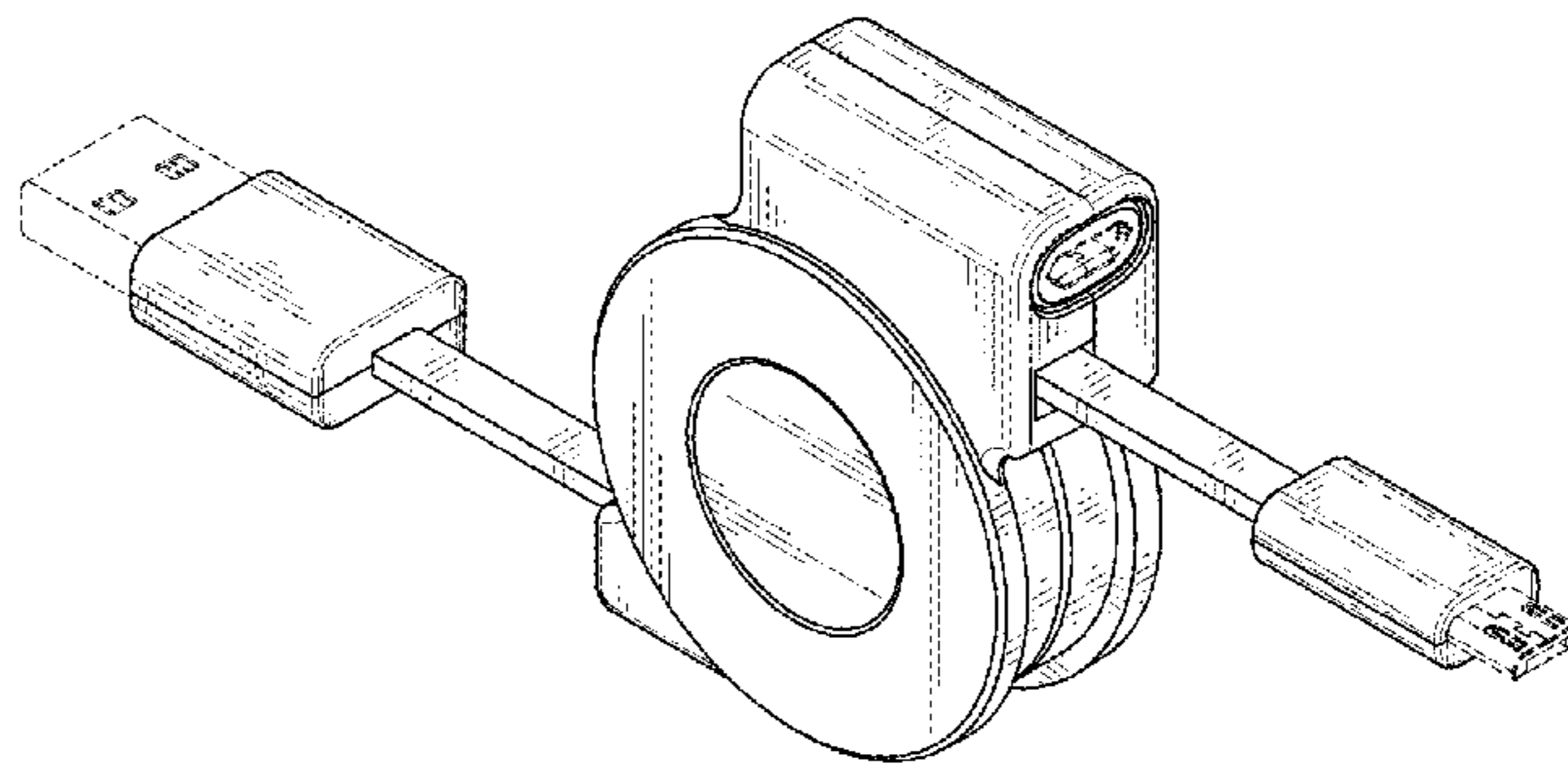
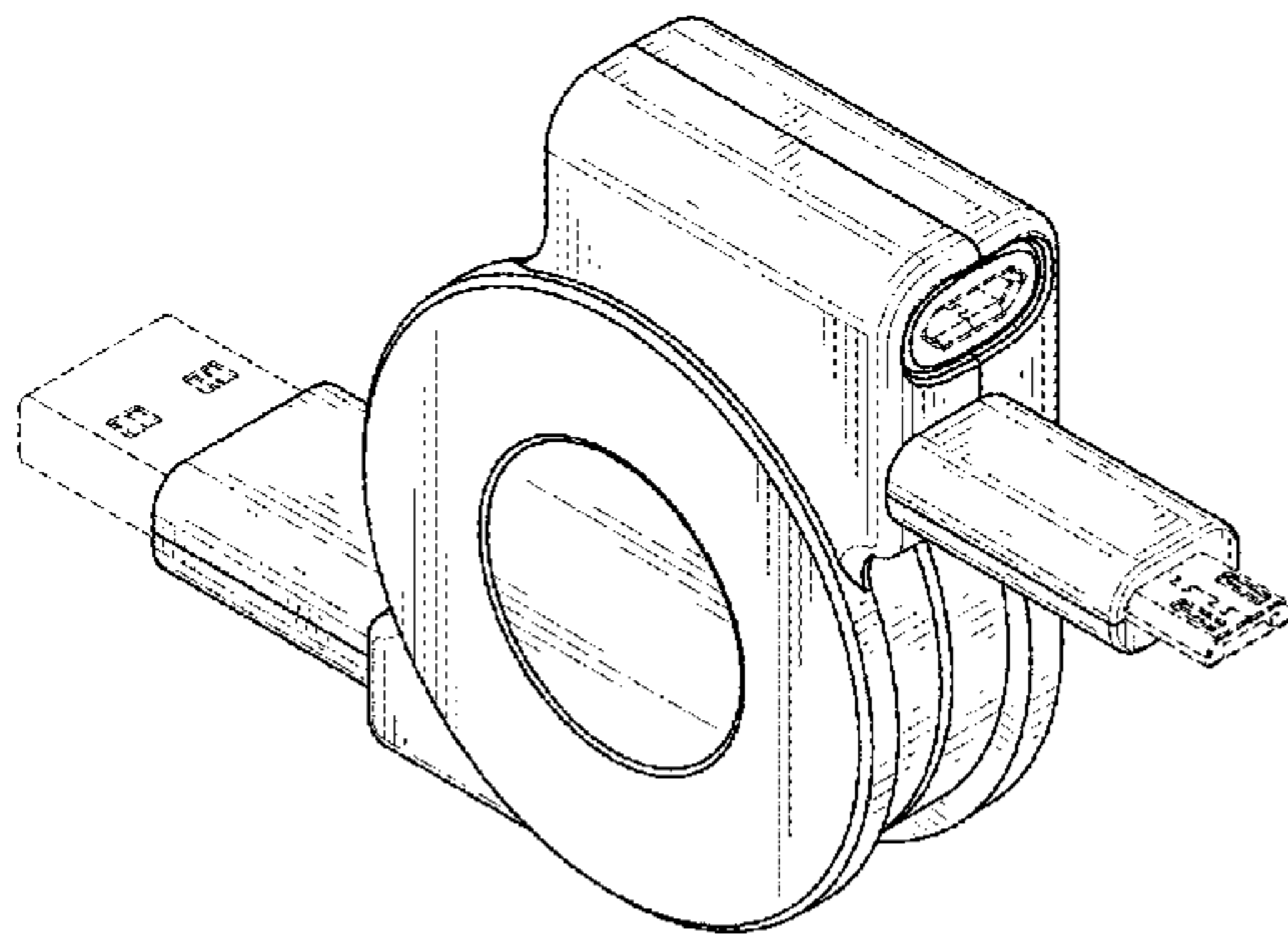
FIG. 7 is a bottom plan view thereof;

FIG. 8 is a reference perspective view showing the data cable in use; and,

FIG. 9 is another reference perspective view showing the data cable in use.

The broken lines are for illustrating unclaimed portions of the data cable; the broken lines form no part of the claimed design.

**1 Claim, 9 Drawing Sheets**



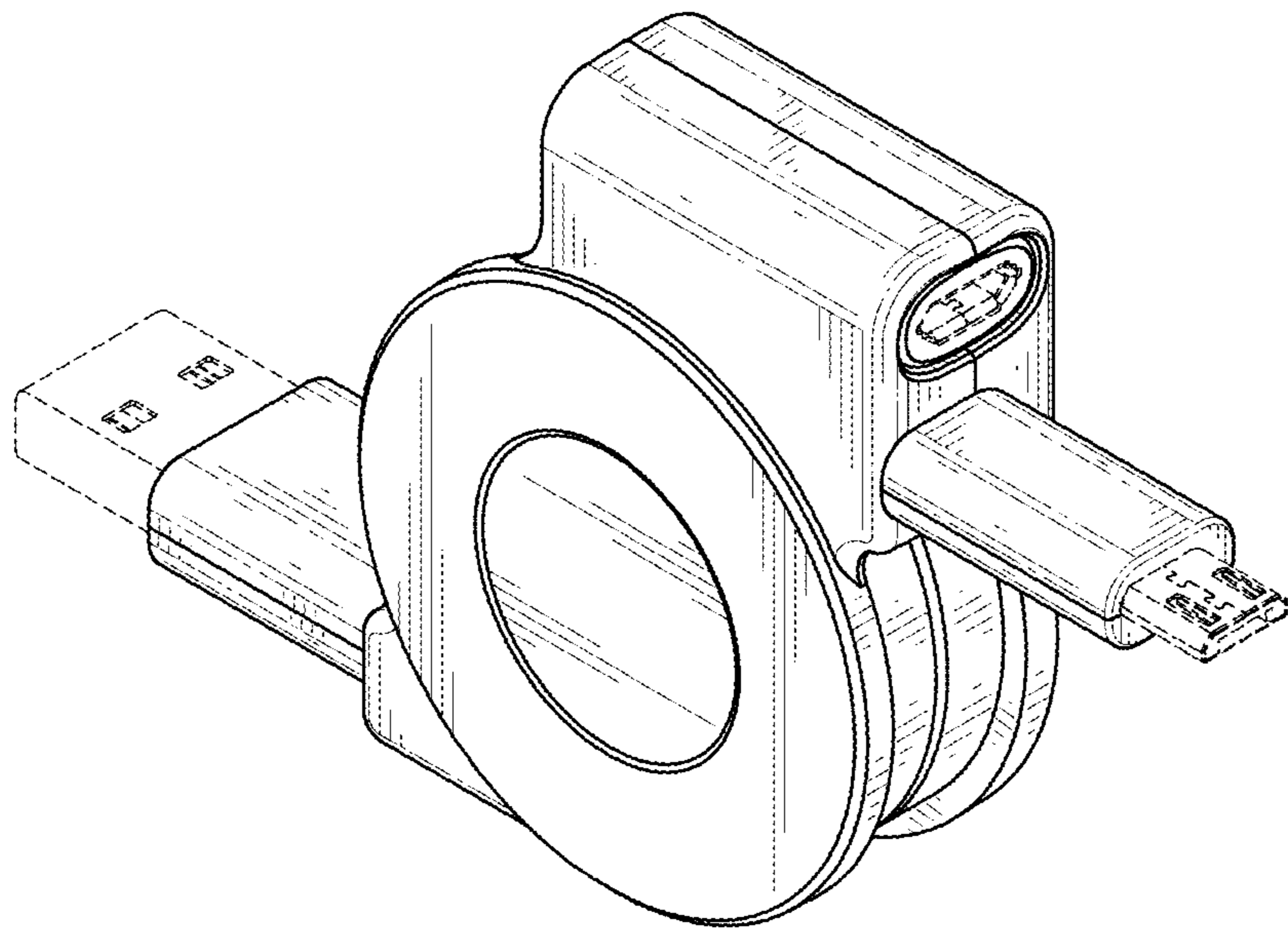


FIG. 1

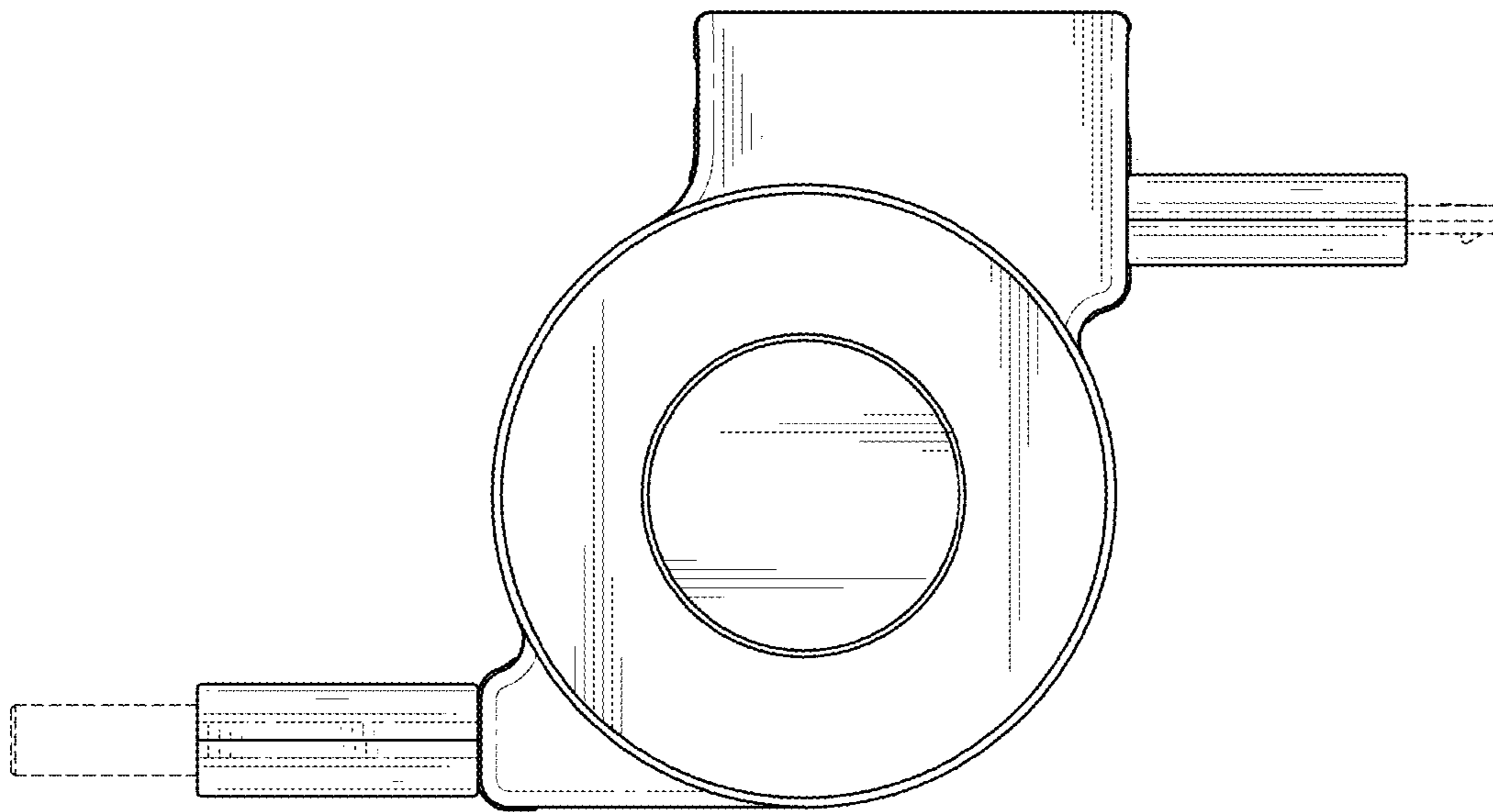


FIG. 2

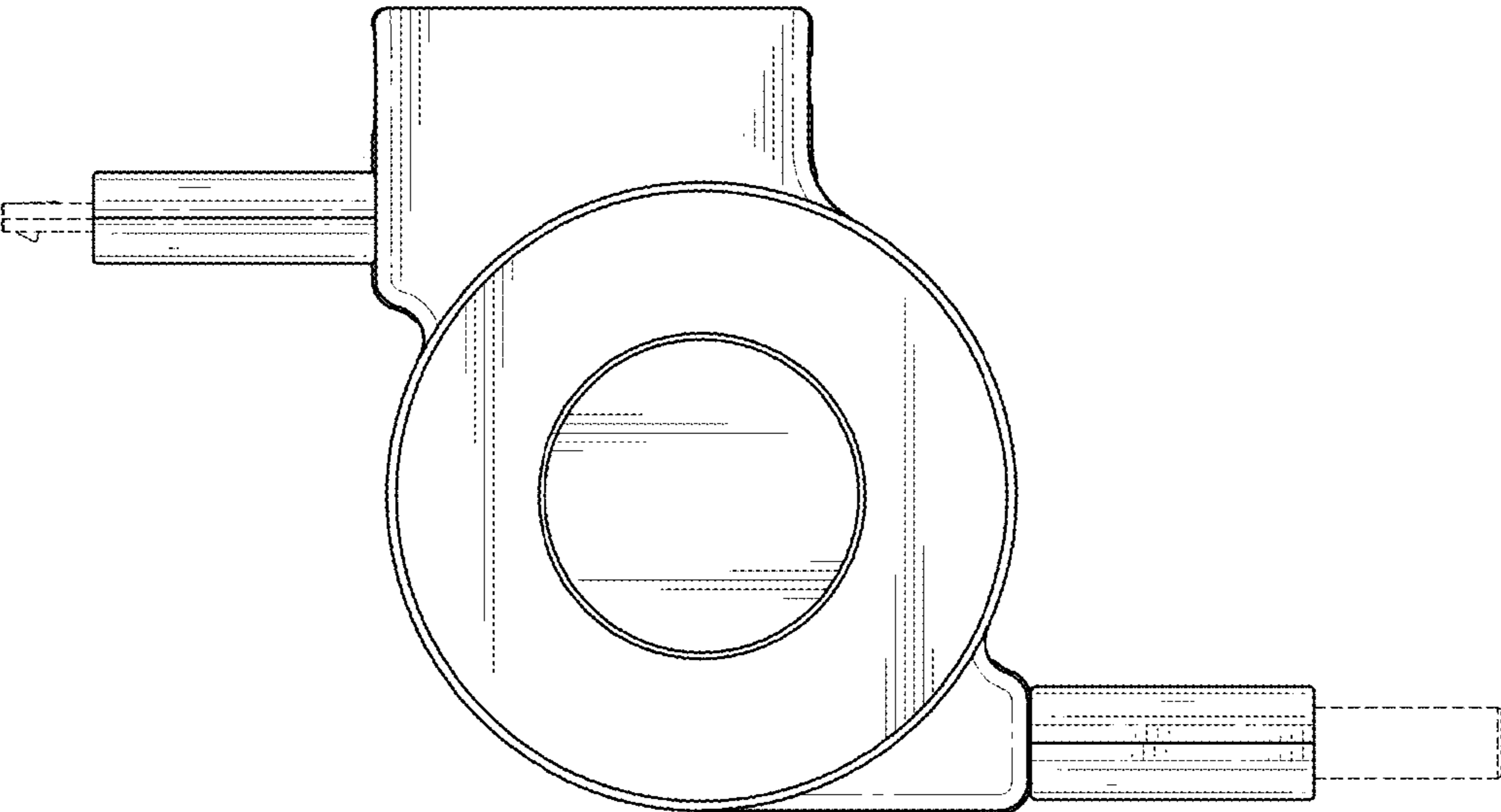


FIG. 3

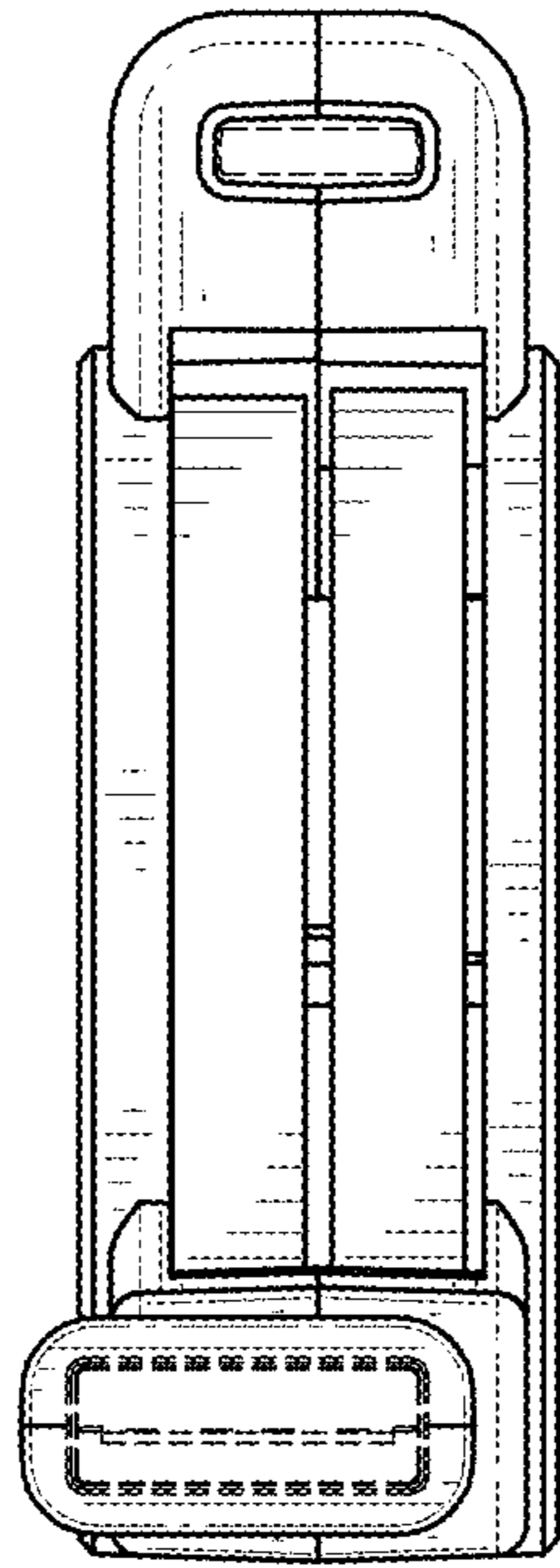


FIG. 4

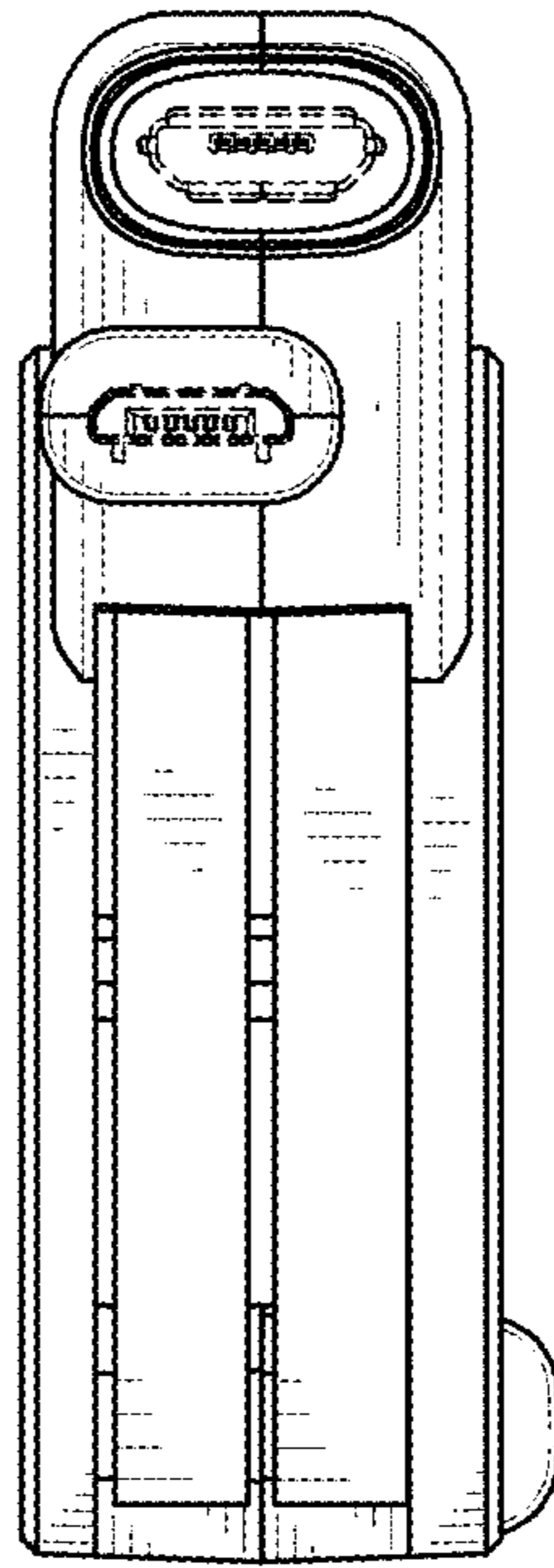


FIG. 5

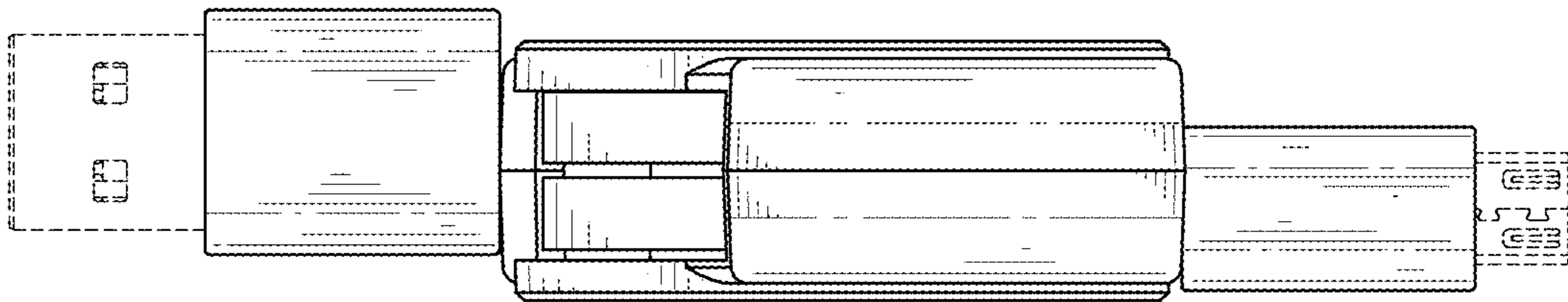


FIG. 6

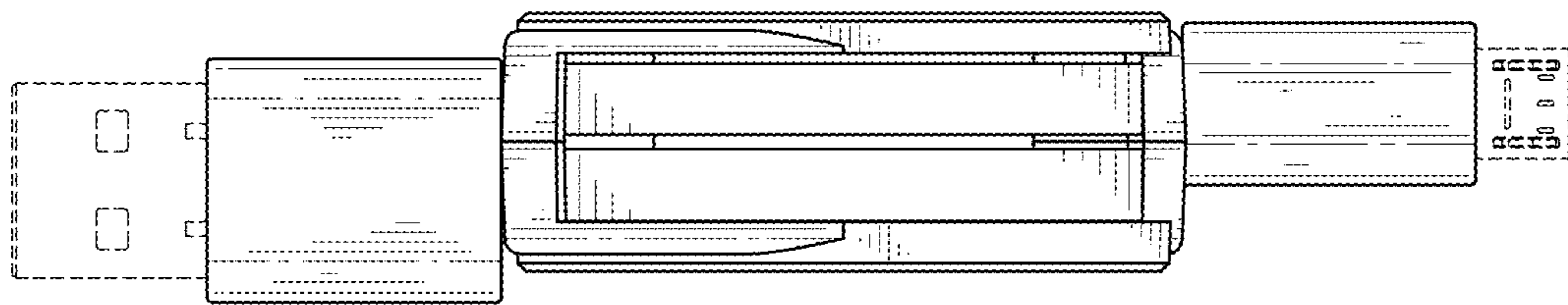


FIG. 7



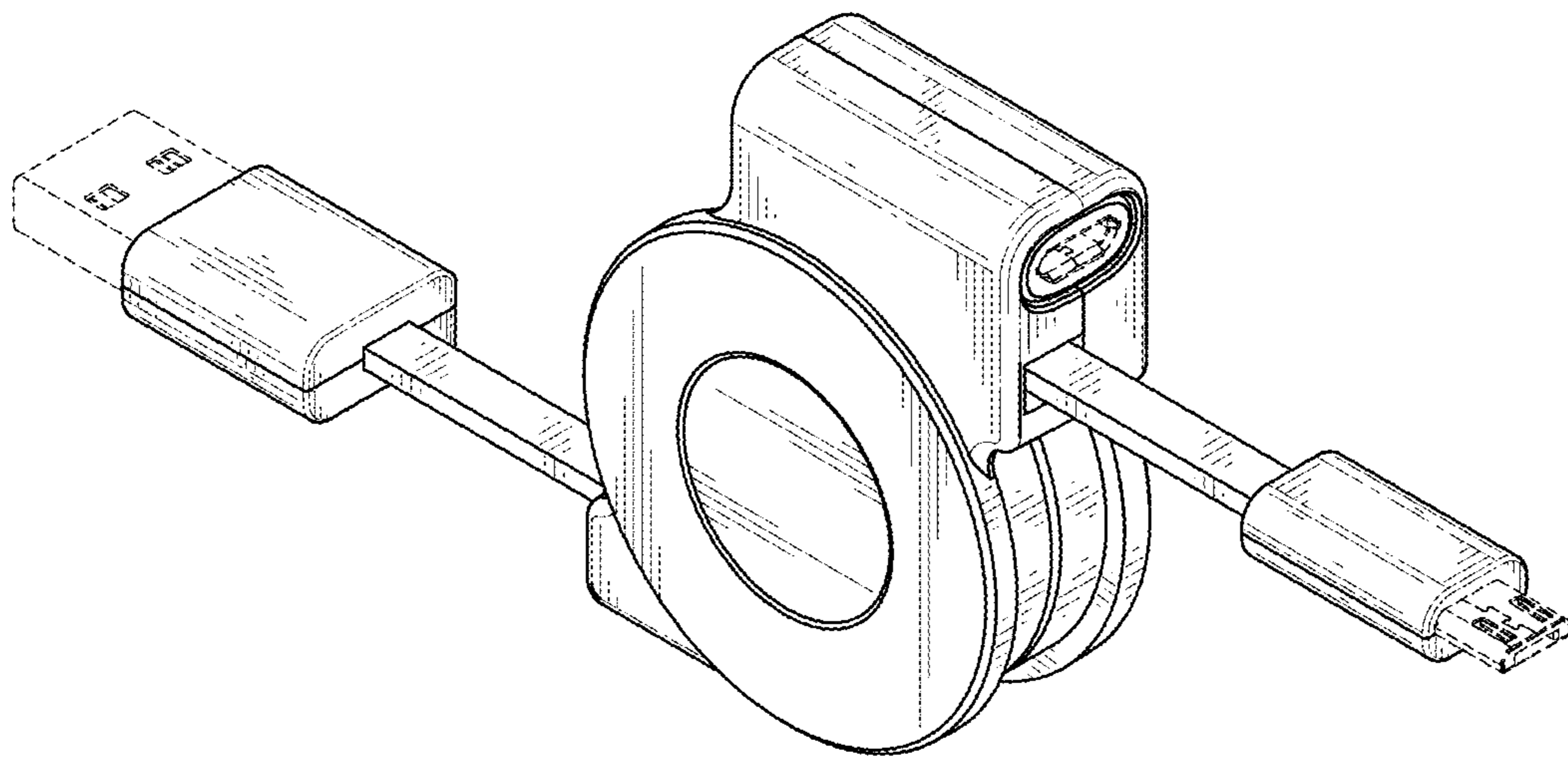


FIG. 8

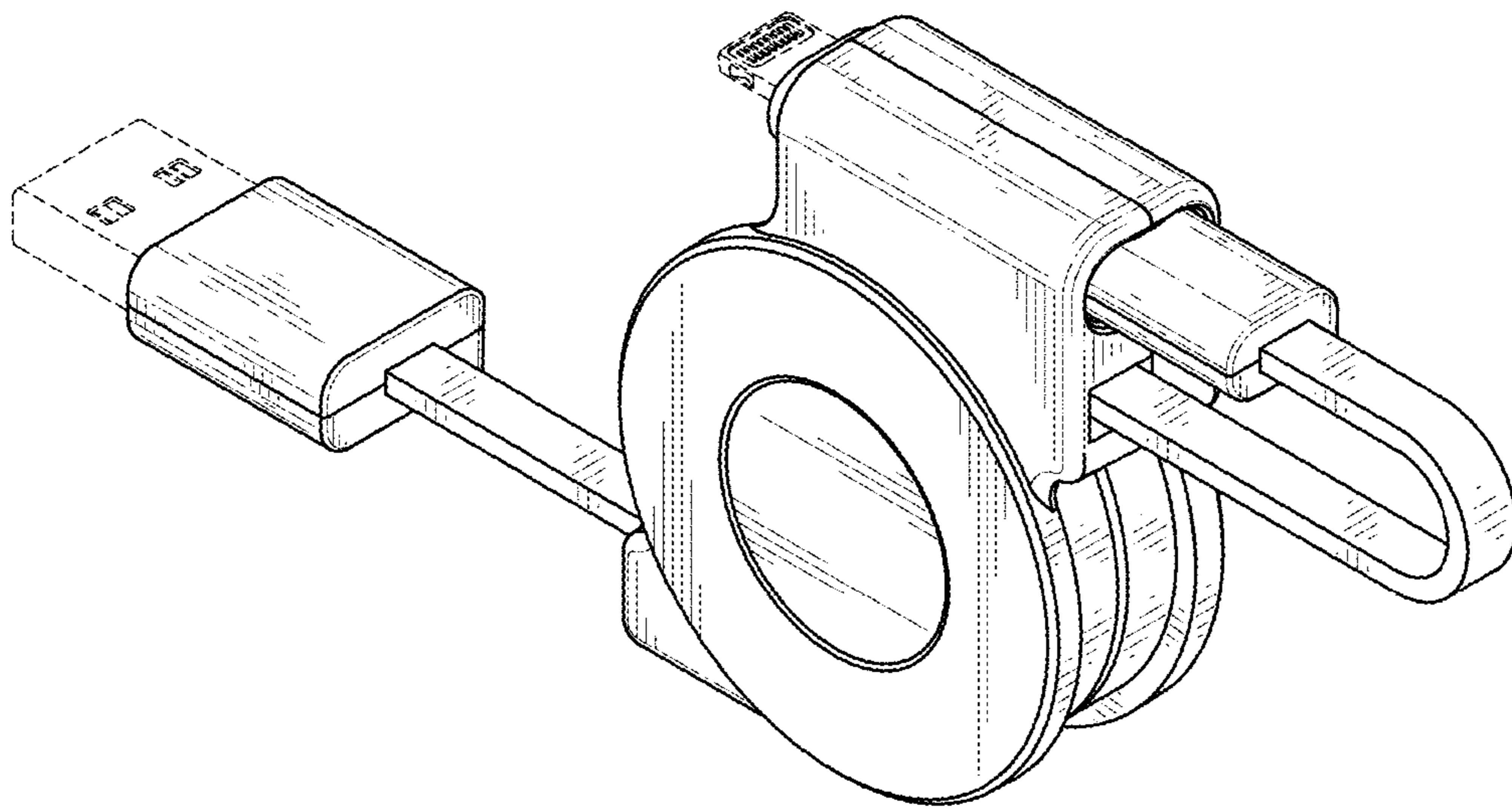


FIG. 9

UNITED STATES PATENT AND TRADEMARK OFFICE  
**CERTIFICATE OF CORRECTION**

PATENT NO. : D768,573 S  
APPLICATION NO. : 29/510162  
DATED : October 11, 2016  
INVENTOR(S) : Li-Wen Tien

Page 1 of 1

It is certified that error appears in the above-identified patent and that said Letters Patent is hereby corrected as shown below:

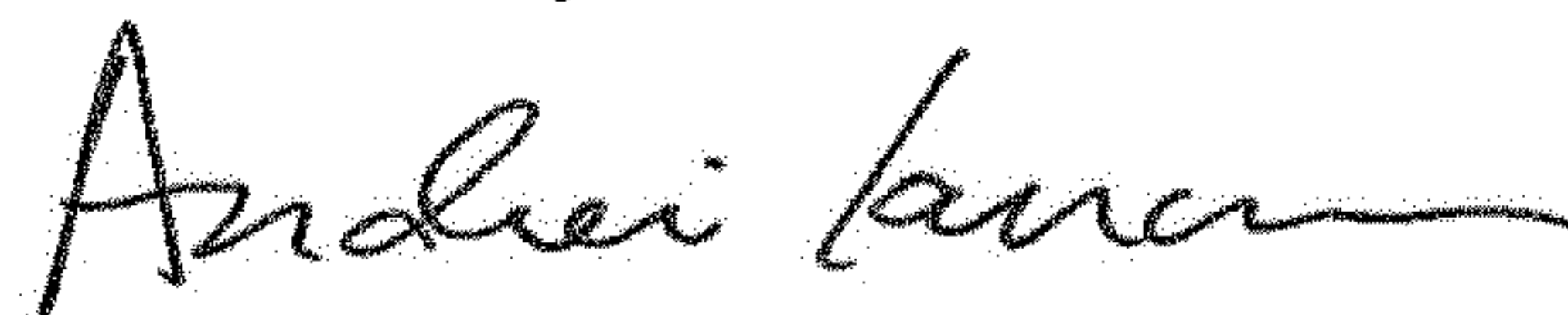
On the Title Page

Add:

Item (30) Foreign Application Priority Data

Sep. 29, 2014 (CN).....201430366643.9

Signed and Sealed this  
Fourth Day of December, 2018



Andrei Iancu  
*Director of the United States Patent and Trademark Office*