



US00D768572S

(12) **United States Design Patent**  
**Xiao et al.**

(10) **Patent No.:** **US D768,572 S**  
(45) **Date of Patent:** **\*\* Oct. 11, 2016**

(54) **SAFETY CAR CHARGER**

(71) Applicants: **Wen Chen**, Guangzhou, Guangdong (CN); **Feng Yu**, Guangzhou, Guangdong (CN)

(72) Inventors: **Tao Xiao**, Guangdong (CN); **Feng Yu**, Guangdong (CN)

(73) Assignees: **Wen Chen**, Guangzhou (CN); **Feng Yu**, Guangzhou (CN)

(\*\*) Term: **15 Years**

(21) Appl. No.: **29/559,742**

(22) Filed: **Mar. 30, 2016**

(30) **Foreign Application Priority Data**

Nov. 2, 2015 (CN) ..... 2015 3 0430976

(51) **LOC (10) Cl.** ..... **13-03**

(52) **U.S. Cl.**  
USPC ..... **D13/144**

(58) **Field of Classification Search**

USPC ..... D13/144, 107, 110, 118, 119, 120, 133, D13/154, 184, 199; D14/155, 217, 433; 320/65, 107, 108, 109; 363/13, 146; 439/300, 620, 638, 668, 669, 675, 825  
CPC ..... H01R 24/58; H01R 2201/26  
See application file for complete search history.

(56) **References Cited**

**U.S. PATENT DOCUMENTS**

D330,887 S \* 11/1992 Wharton ..... D13/144  
D345,960 S \* 4/1994 Boyd ..... D13/144

D398,287 S \* 9/1998 Luminosu ..... D13/107  
D457,134 S \* 5/2002 Lam ..... D13/110  
D482,654 S \* 11/2003 Shor ..... D13/110  
D530,280 S \* 10/2006 Krieger ..... D13/144  
7,196,293 B2 \* 3/2007 Britto ..... H01R 13/7038  
219/387  
D585,824 S \* 2/2009 Ebodi ..... D13/108  
D592,594 S \* 5/2009 Stiff ..... D13/110  
D608,284 S \* 1/2010 Lin ..... D13/144  
D644,990 S \* 9/2011 Tseng ..... D13/108  
D677,631 S \* 3/2013 McSweyn ..... D13/144

\* cited by examiner

*Primary Examiner* — Derrick Holland

*Assistant Examiner* — Jennifer O King

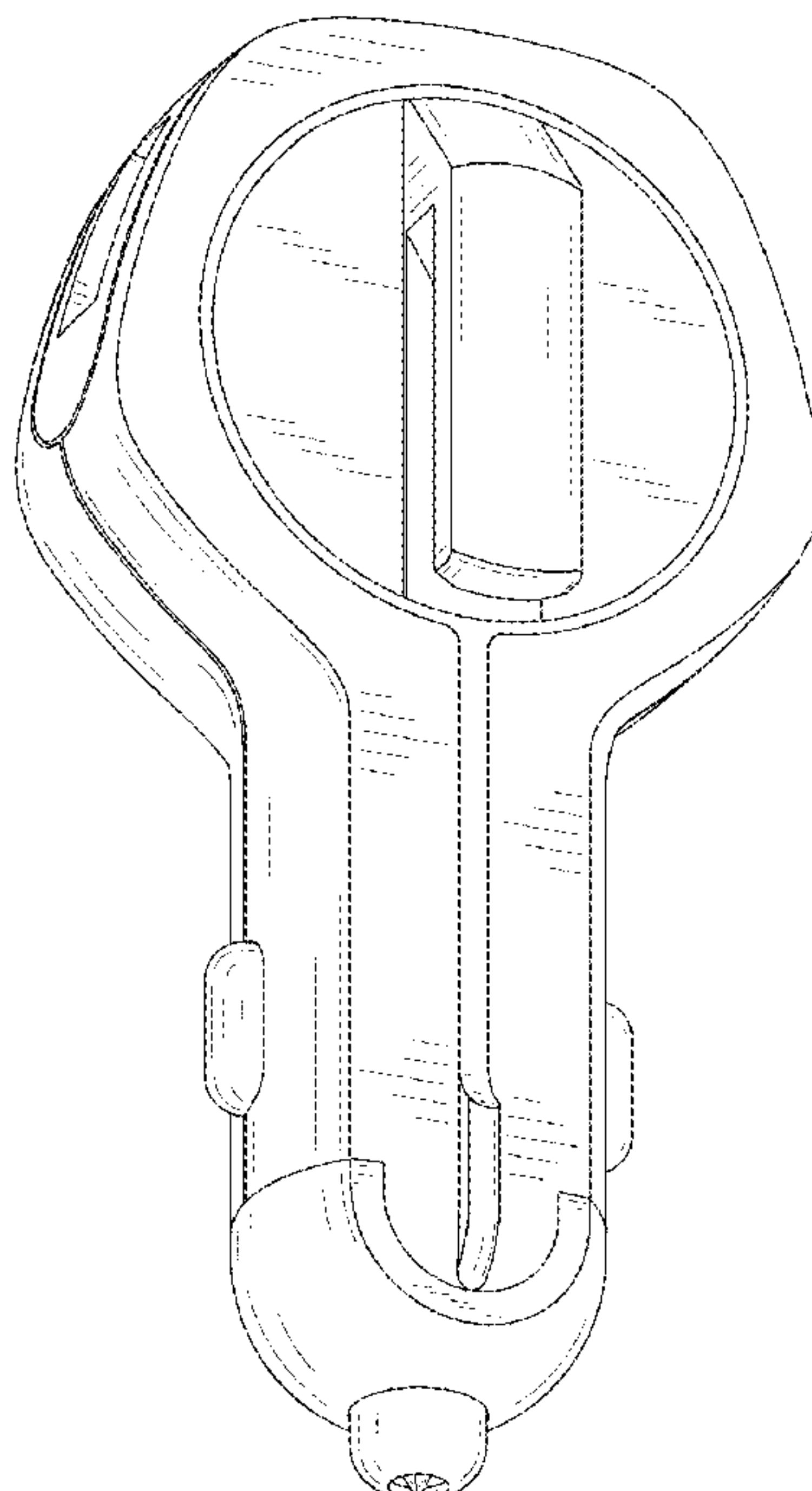
(57) **CLAIM**

The ornamental design for a safety car charger, as shown and described.

**DESCRIPTION**

FIG. 1 is a front elevational view of a safety car charger showing our new design;  
FIG. 2 is a rear elevational view thereof;  
FIG. 3 is a left side view thereof;  
FIG. 4 is a right side view thereof;  
FIG. 5 is a top plan view thereof;  
FIG. 6 is a bottom plan view thereof;  
FIG. 7 is a first perspective view thereof; and,  
FIG. 8 is a second perspective view thereof.

**1 Claim, 6 Drawing Sheets**



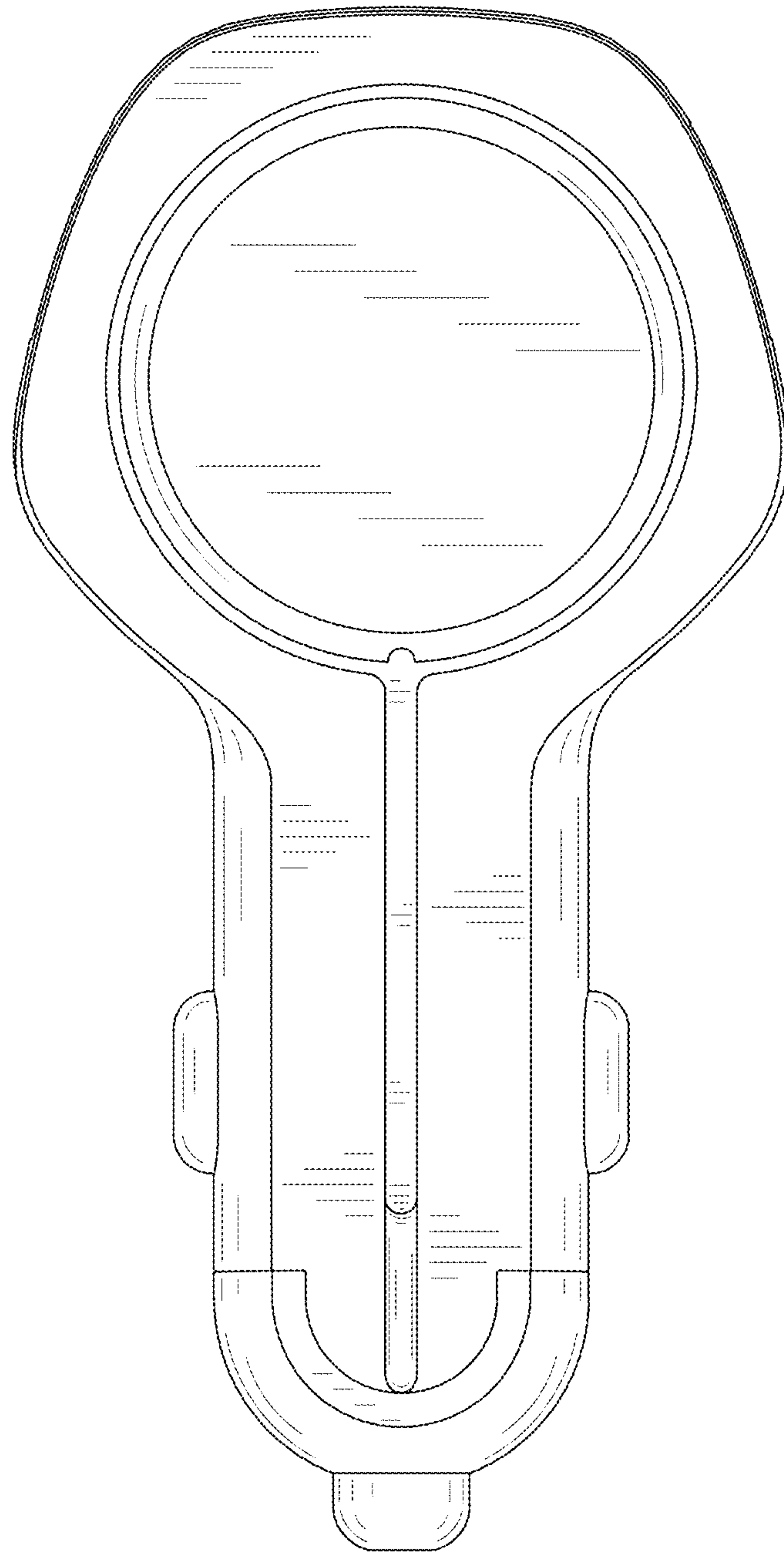


FIG.1

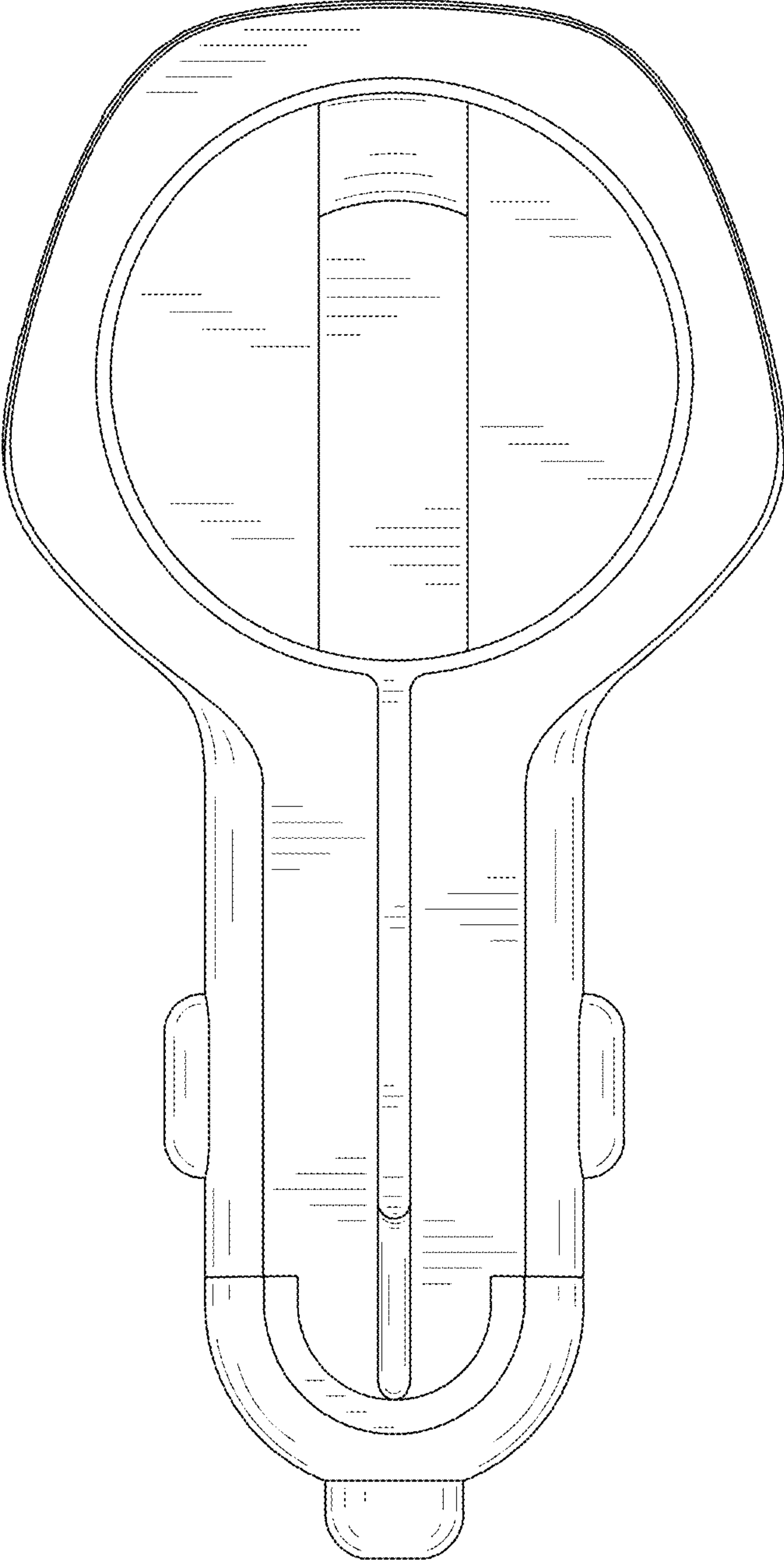


FIG.2

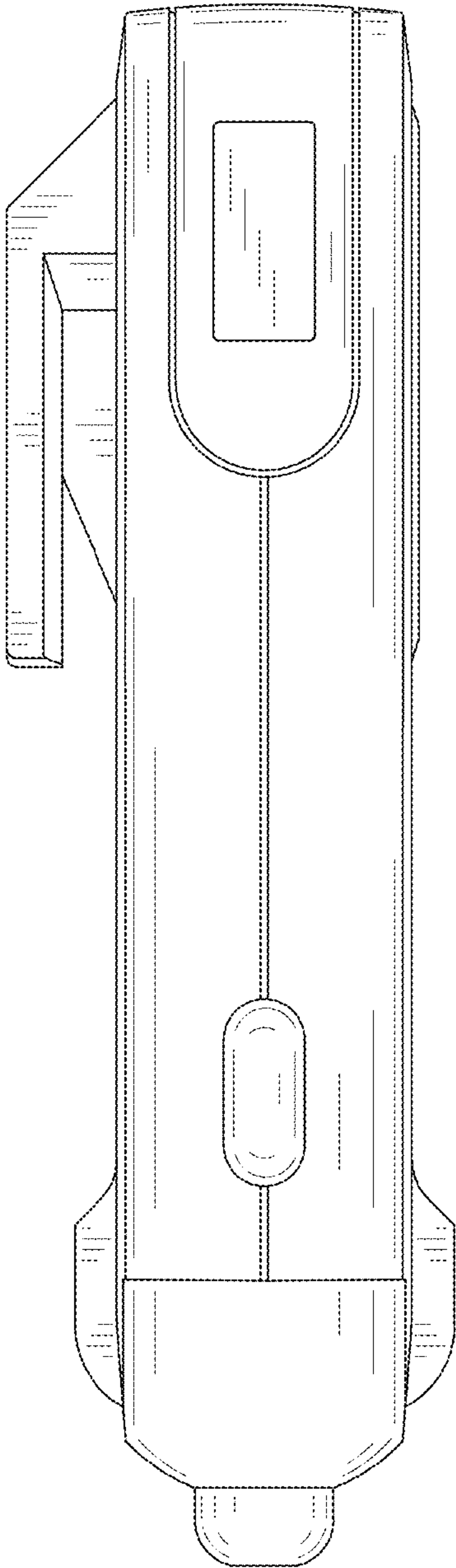


FIG.3

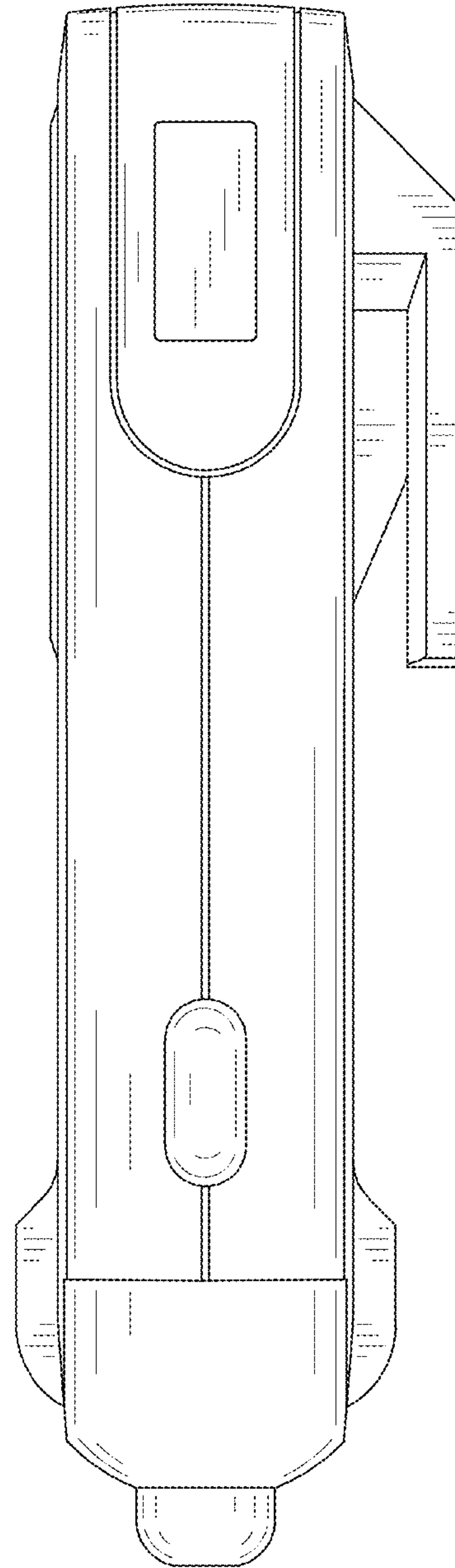


FIG.4

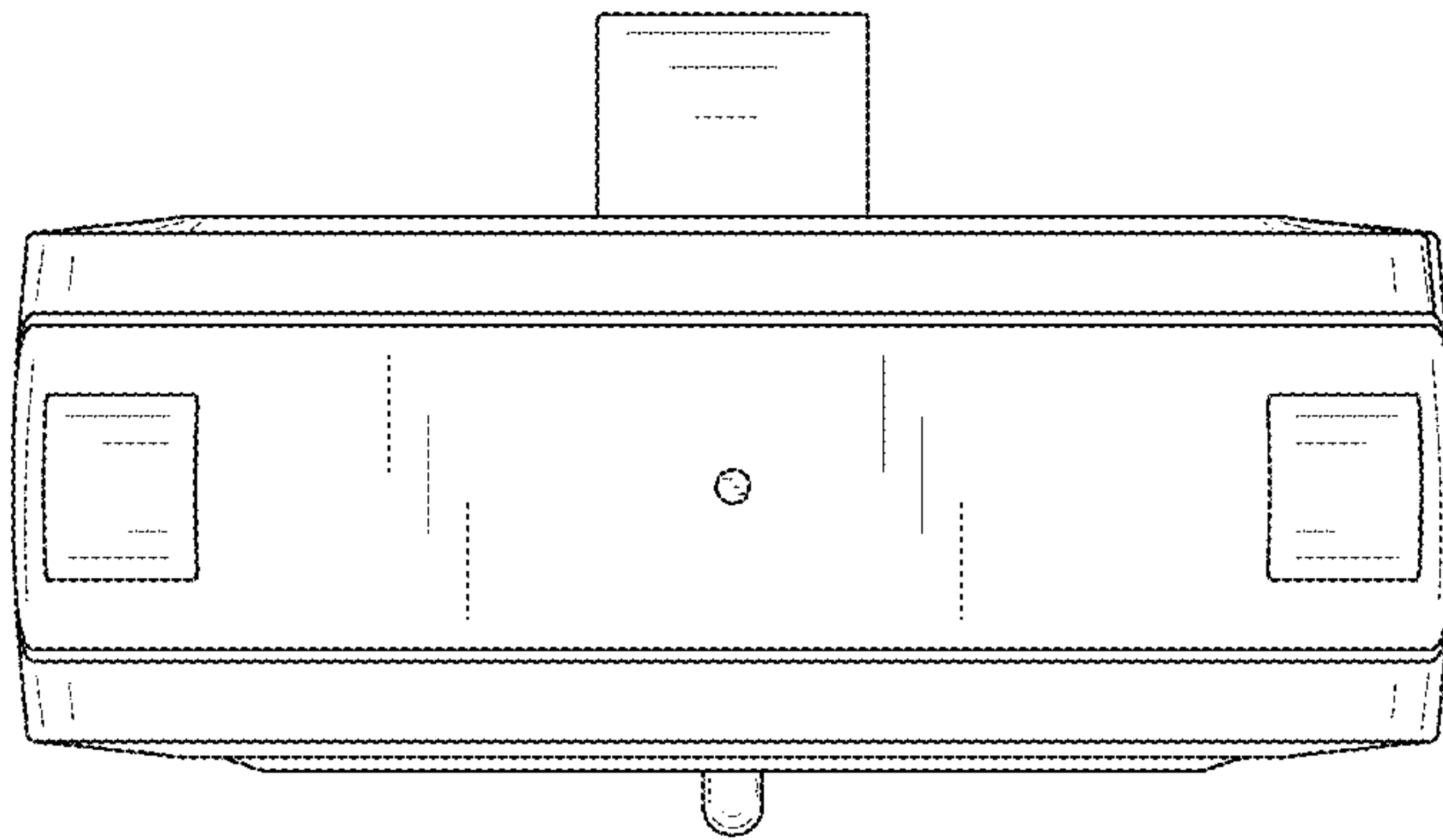


FIG.5

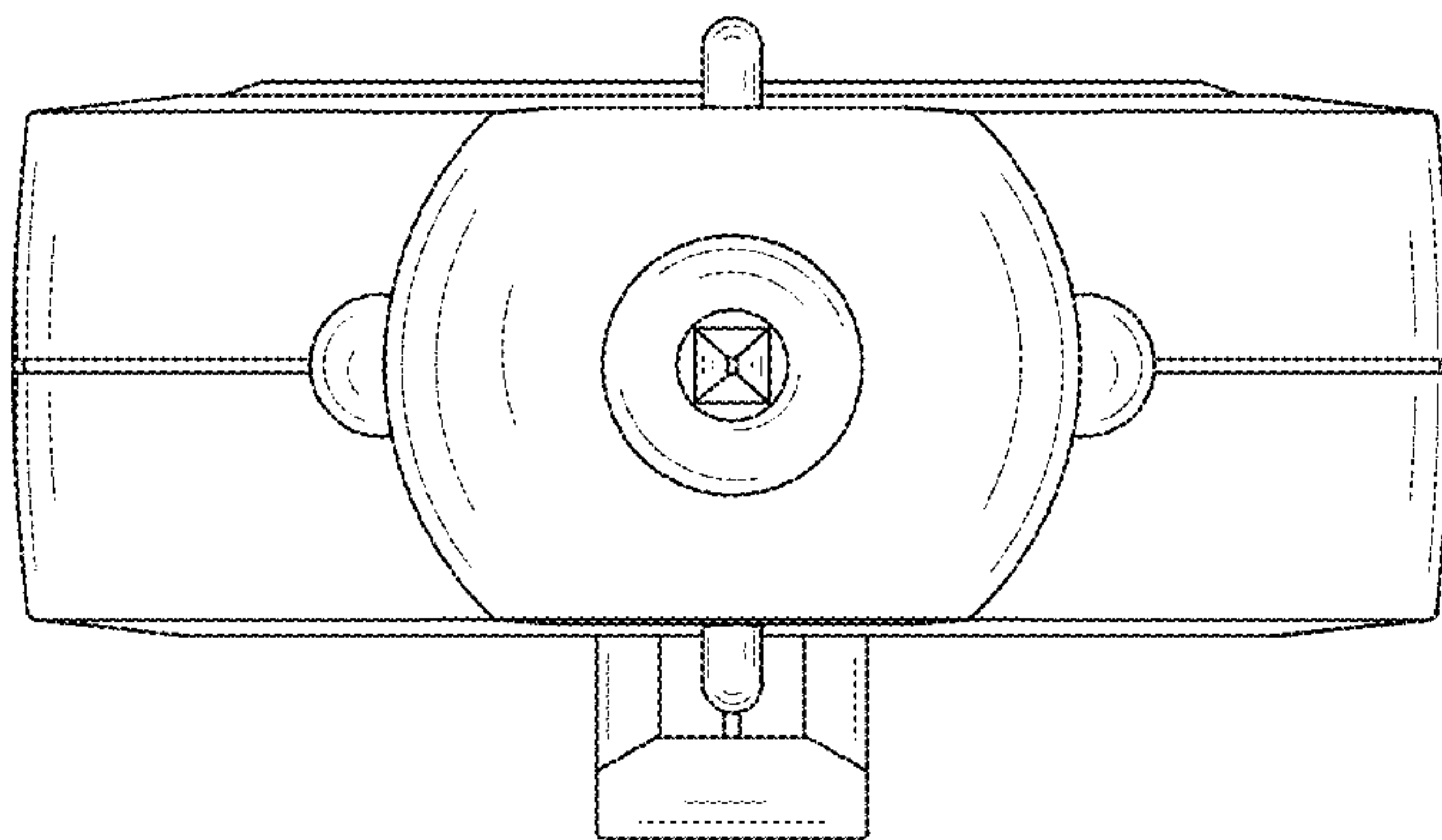


FIG.6



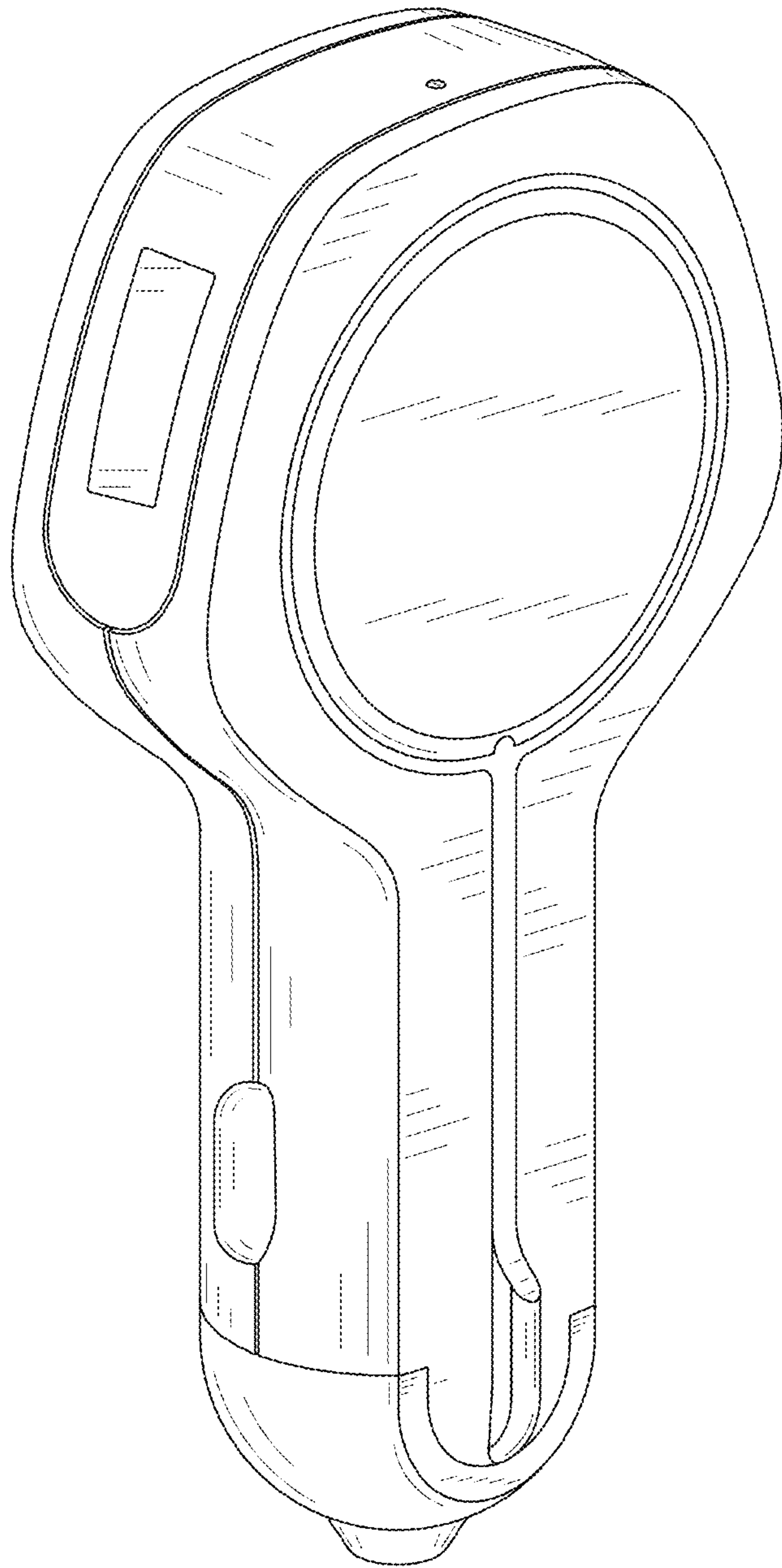


FIG. 7

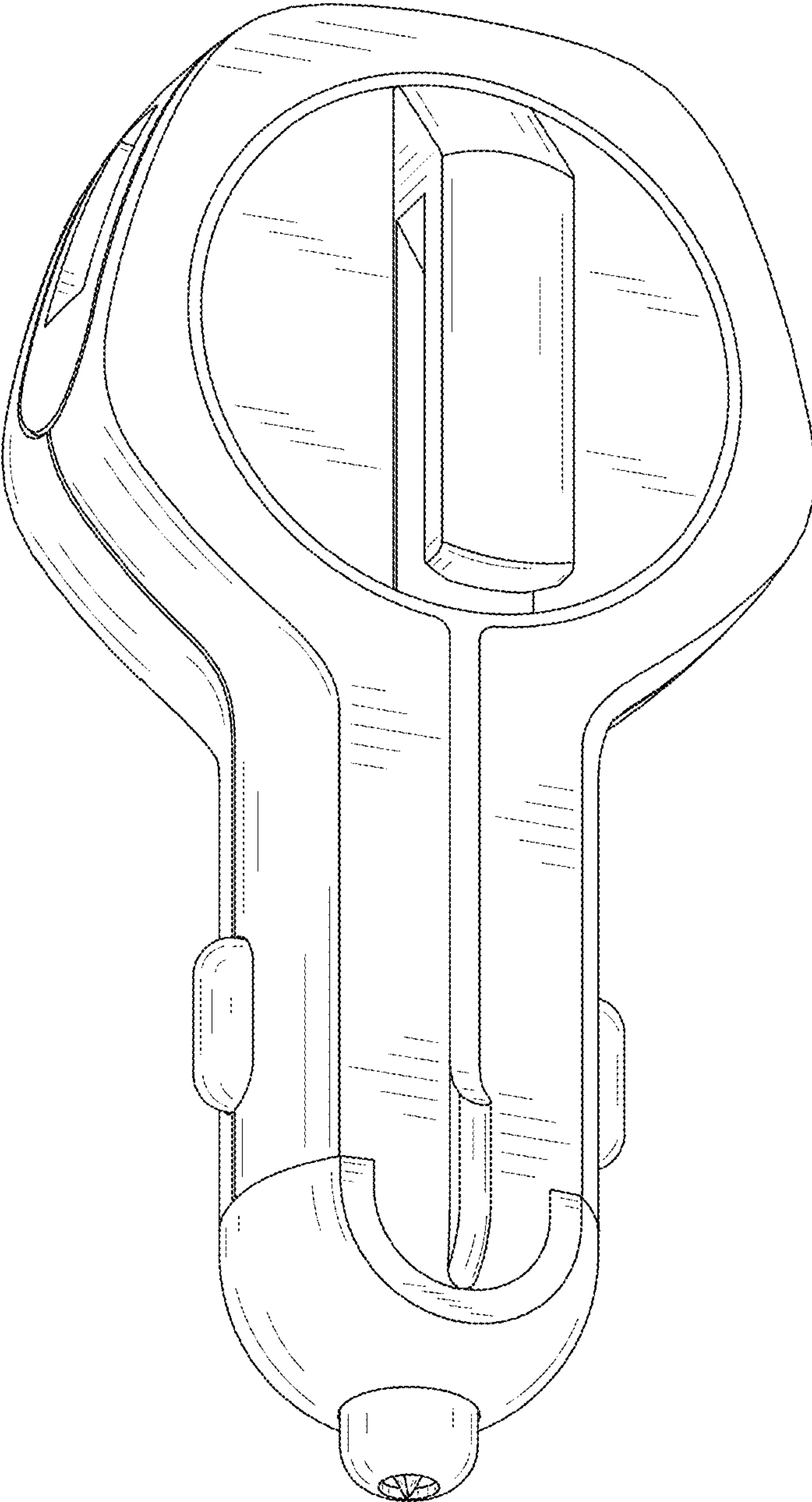


FIG.8