



US00D768570S

(12) **United States Design Patent**  
**Shigeno et al.**

(10) **Patent No.:** **US D768,570 S**  
(45) **Date of Patent:** **\*\* Oct. 11, 2016**

- (54) **CHARGER FOR ELECTRIC TOOTHBRUSH**
- (71) Applicants: **COLGATE-PALMOLIVE COMPANY**, New York, NY (US); **OMRON HEALTHCARE CO., LTD.**, Kyoto (JP)
- (72) Inventors: **Takashi Shigeno**, Kanagawa (JP); **Kazuya Andachi**, Tokyo (JP); **Feilang Tseng**, Kyoto (JP); **Tamaki Ito**, Kyoto (JP)
- (73) Assignees: **Colgate-Palmolive Company**, New York, NY (US); **Omron Healthcare Co., Ltd.**, Kyoto (JP)

(\*\*) Term: **14 Years**  
 (21) Appl. No.: **29/507,074**  
 (22) Filed: **Oct. 23, 2014**

- (30) **Foreign Application Priority Data**
  - Apr. 25, 2014 (JP) ..... 2014-009210
  - Apr. 25, 2014 (JP) ..... 2014-009211
  - Apr. 25, 2014 (JP) ..... 2014-009213
- (51) **LOC (10) Cl.** ..... **13-02**
- (52) **U.S. Cl.**  
USPC ..... **D13/108**
- (58) **Field of Classification Search**  
USPC ..... D13/107-110, 118, 119, 184; D6/528; D4/101; 320/108, 115; 312/206  
CPC .... A61C 17/00; A61C 17/005; A61C 17/16; A61C 17/224; Y02E 60/12; Y02T 90/14; Y02T 90/122; Y02T 90/128; Y02T 90/163; H02J 7/025; H02J 7/0044; H02J 7/0045; H01R 13/6675; H01M 2/1022; H01M 10/44  
See application file for complete search history.

- (56) **References Cited**  
U.S. PATENT DOCUMENTS  
D221,824 S 9/1971 Cook  
D221,825 S 9/1971 Cook  
(Continued)

FOREIGN PATENT DOCUMENTS

CN	203195788	9/2013
EP	0634151	3/1994

(Continued)

*Primary Examiner* — Rosemary K Tarcza  
*Assistant Examiner* — Christy Nemeth

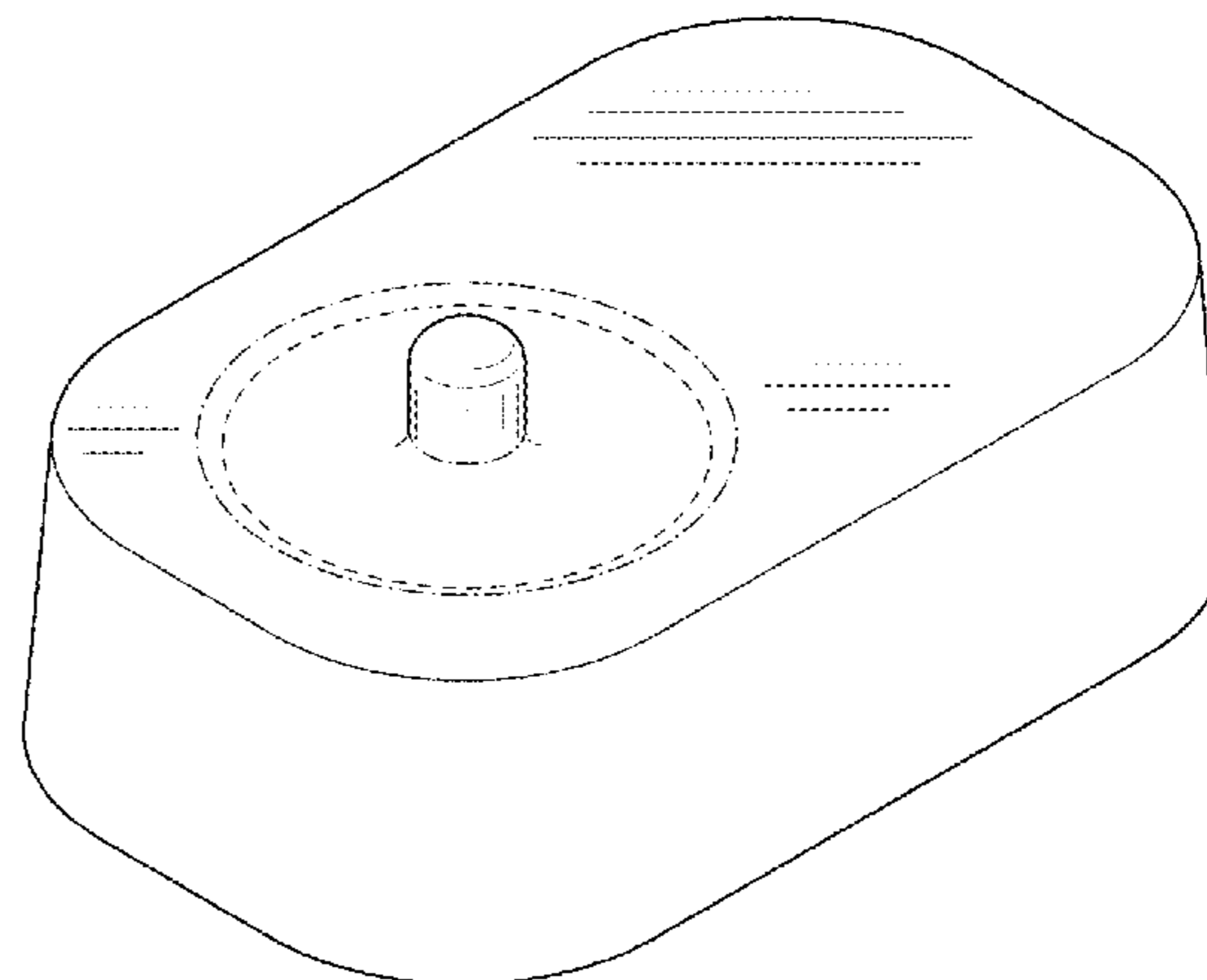
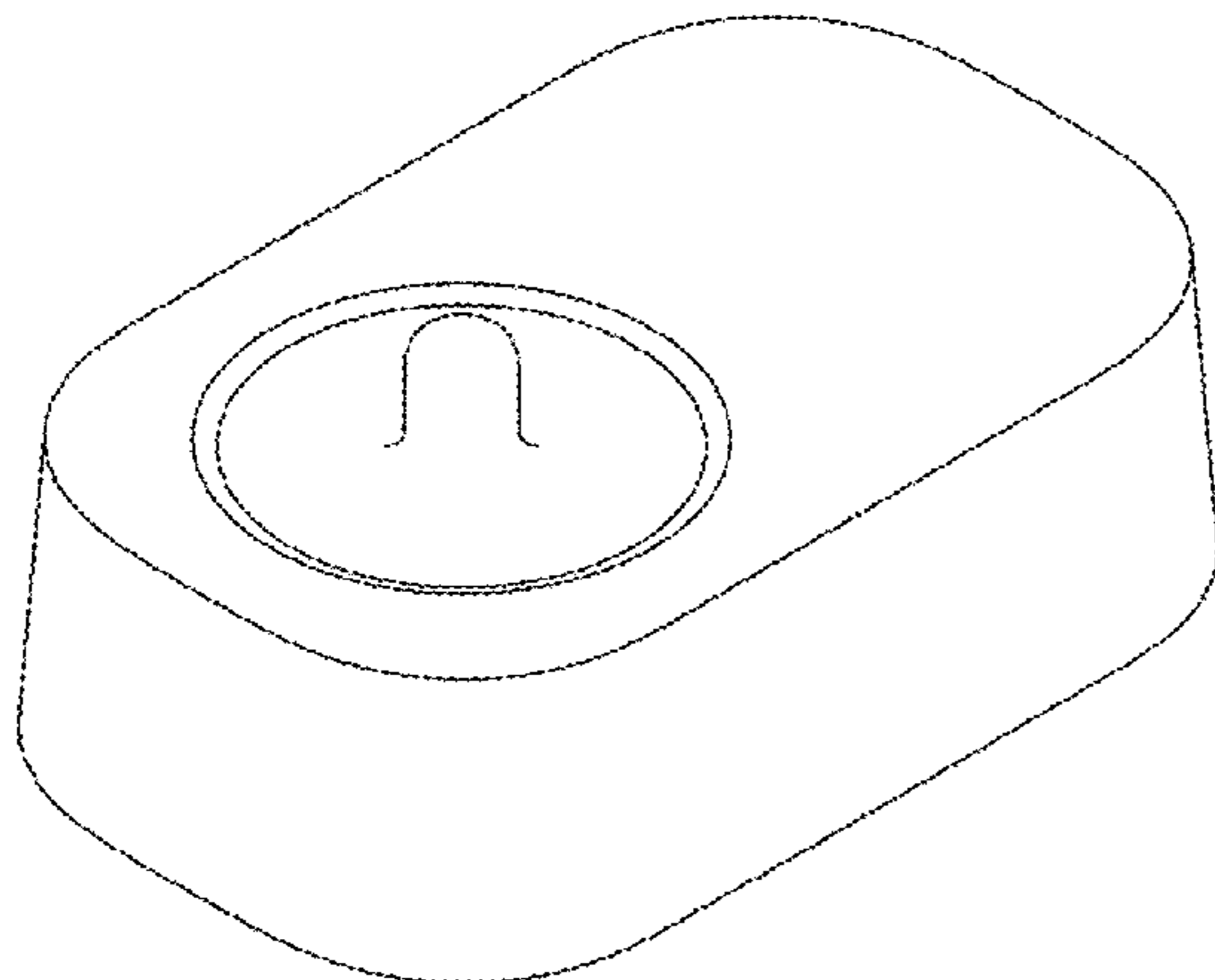
(57) **CLAIM**  
The ornamental design for a charger for electric toothbrush, as shown and described.

**DESCRIPTION**

FIG. 1 is an enlarged front right perspective view of a charger for electric toothbrush according to a first embodiment of the new design;  
 FIG. 2 is a front view thereof;  
 FIG. 3 is a rear view thereof;  
 FIG. 4 is a right side view thereof;  
 FIG. 5 is a left side view thereof;  
 FIG. 6 is a top view thereof;  
 FIG. 7 is a bottom view thereof;  
 FIG. 8 is an enlarged front right perspective view of a charger for electric toothbrush according to a second embodiment of the new design;  
 FIG. 9 is a front view thereof;  
 FIG. 10 is a rear view thereof;  
 FIG. 11 is a right side view thereof;  
 FIG. 12 is a left side view thereof;  
 FIG. 13 is a top view thereof; and,  
 FIG. 14 is a bottom view thereof.

In the drawings, the broken lines illustrate portions of the charger for electric toothbrush which form no part of the claimed design. The dash-dot-dash lines directly adjacent to the claimed areas are included to represent the boundaries of the claimed design and form no part of the claimed design.

**1 Claim, 10 Drawing Sheets**



(56)

References Cited

U.S. PATENT DOCUMENTS

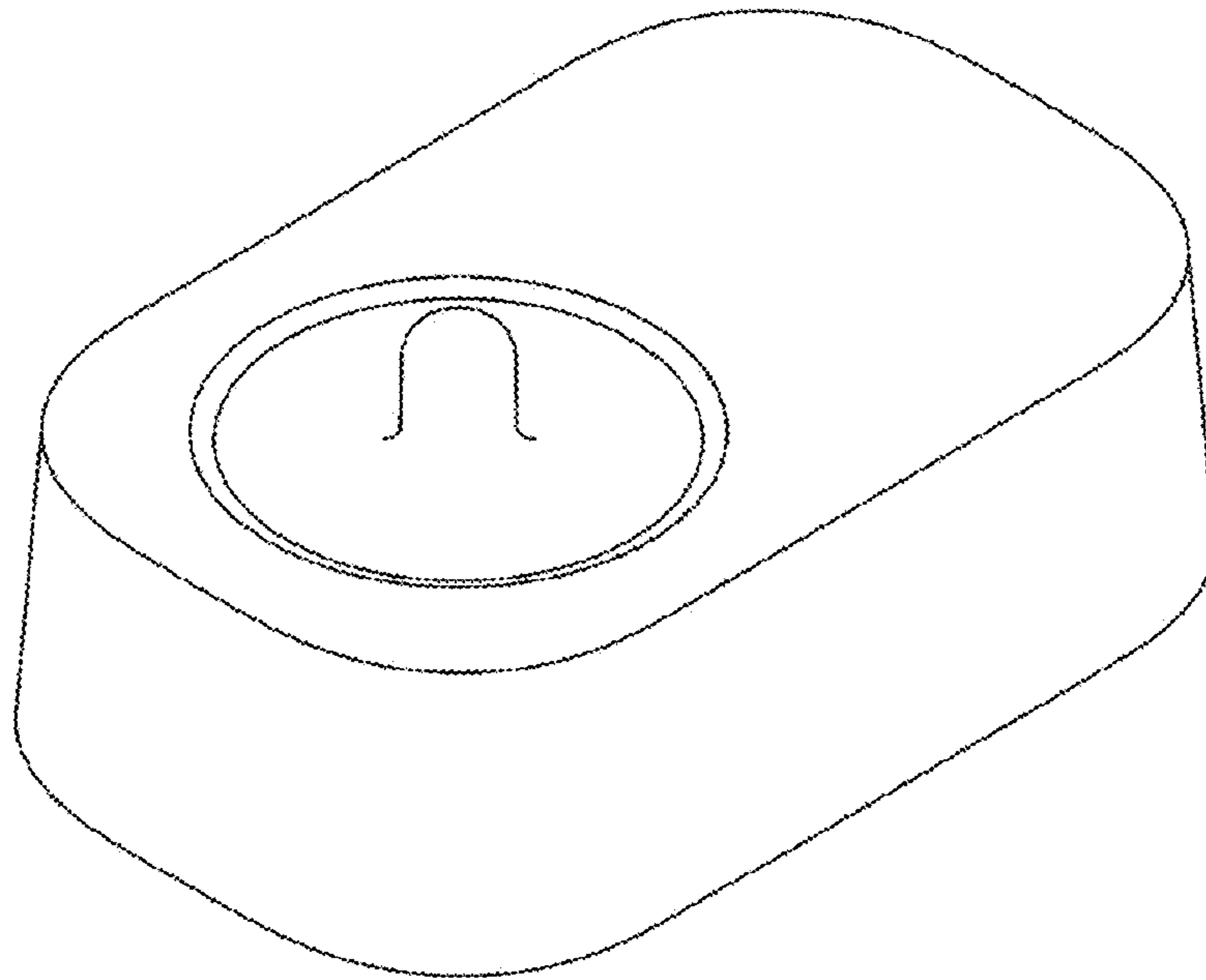
D221,826 S 9/1971 Cook  
 D240,433 S 7/1976 Krapowicz  
 D292,264 S 10/1987 Staufenberg et al.  
 D325,369 S 4/1992 Ullmann  
 D342,718 S \* 12/1993 Mackay ..... D13/108  
 D353,490 S 12/1994 Hartwein  
 D362,661 S \* 9/1995 Buschor ..... D13/133  
 5,448,151 A 9/1995 Ganse et al.  
 D368,373 S 4/1996 Shimatsu et al.  
 5,561,881 A 10/1996 Klinger et al.  
 5,613,259 A 3/1997 Craft et al.  
 D383,115 S \* 9/1997 Nagele ..... D13/110  
 5,699,231 A 12/1997 Elhatem et al.  
 D392,940 S \* 3/1998 Shen ..... D13/110  
 5,796,325 A 8/1998 Lundell et al.  
 6,122,157 A 9/2000 Gerlach  
 6,147,869 A 11/2000 Furnival  
 6,246,309 B1 6/2001 Heinz et al.  
 D453,920 S 2/2002 Greene  
 D454,695 S 3/2002 Greene  
 6,581,233 B1 6/2003 Cheng  
 6,592,018 B2 7/2003 Taylor et al.  
 D486,787 S 2/2004 Krieger et al.  
 D493,136 S 7/2004 Since  
 6,778,400 B2 8/2004 Kurle et al.  
 6,918,153 B2 7/2005 Gruber  
 7,049,790 B2 5/2006 Pfenniger et al.  
 D524,730 S \* 7/2006 Vu ..... D13/108  
 D525,583 S \* 7/2006 Vu ..... D13/108  
 7,146,721 B2 12/2006 Hunkeler et al.  
 D541,215 S 4/2007 Vu  
 D548,179 S 8/2007 Vu  
 D548,978 S 8/2007 Vu  
 7,272,293 B2 9/2007 Rastegar et al.  
 D577,667 S 9/2008 Beedham  
 D578,475 S \* 10/2008 Beedham ..... D13/108  
 D578,960 S \* 10/2008 Fisher ..... D13/108  
 7,433,197 B2 10/2008 Steele

7,460,350 B2 12/2008 Talbot et al.  
 D592,142 S \* 5/2009 Kettula ..... D13/108  
 7,663,886 B2 2/2010 Aoki et al.  
 7,696,728 B2 4/2010 Cross et al.  
 D628,991 S 12/2010 Chung  
 D628,992 S 12/2010 Chung  
 7,934,849 B2 5/2011 Ellis et al.  
 D640,193 S \* 6/2011 Shigeno ..... D13/108  
 D651,169 S \* 12/2011 Zhuan ..... D13/108  
 D657,310 S \* 4/2012 Fahrendorff ..... D13/110  
 8,360,390 B2 1/2013 Fornage  
 8,373,310 B2 2/2013 Baarman et al.  
 D682,198 S \* 5/2013 Vu ..... D13/108  
 8,573,508 B2 11/2013 Menzel et al.  
 D696,193 S \* 12/2013 Hatanaka ..... D13/108  
 D696,194 S \* 12/2013 Hatanaka ..... D13/108  
 D703,617 S \* 4/2014 Janky ..... D13/154  
 D708,132 S \* 7/2014 Wen ..... D13/108  
 8,981,720 B2 \* 3/2015 Ge ..... H02J 7/0044  
 320/107  
 2010/0289448 A1 11/2010 Jung et al.  
 2011/0089890 A1 \* 4/2011 Li ..... H01M 2/1022  
 320/107  
 2011/0315572 A1 12/2011 Vu et al.  
 2012/0235643 A1 \* 9/2012 Lin ..... H02J 7/0044  
 320/115  
 2013/0193915 A1 8/2013 Jung et al.  
 2013/0257369 A1 10/2013 Nazarov et al.  
 2014/0171157 A1 \* 6/2014 Ho ..... H04B 1/38  
 455/573  
 2014/0354218 A1 \* 12/2014 Kaynar ..... H02J 7/0044  
 320/107

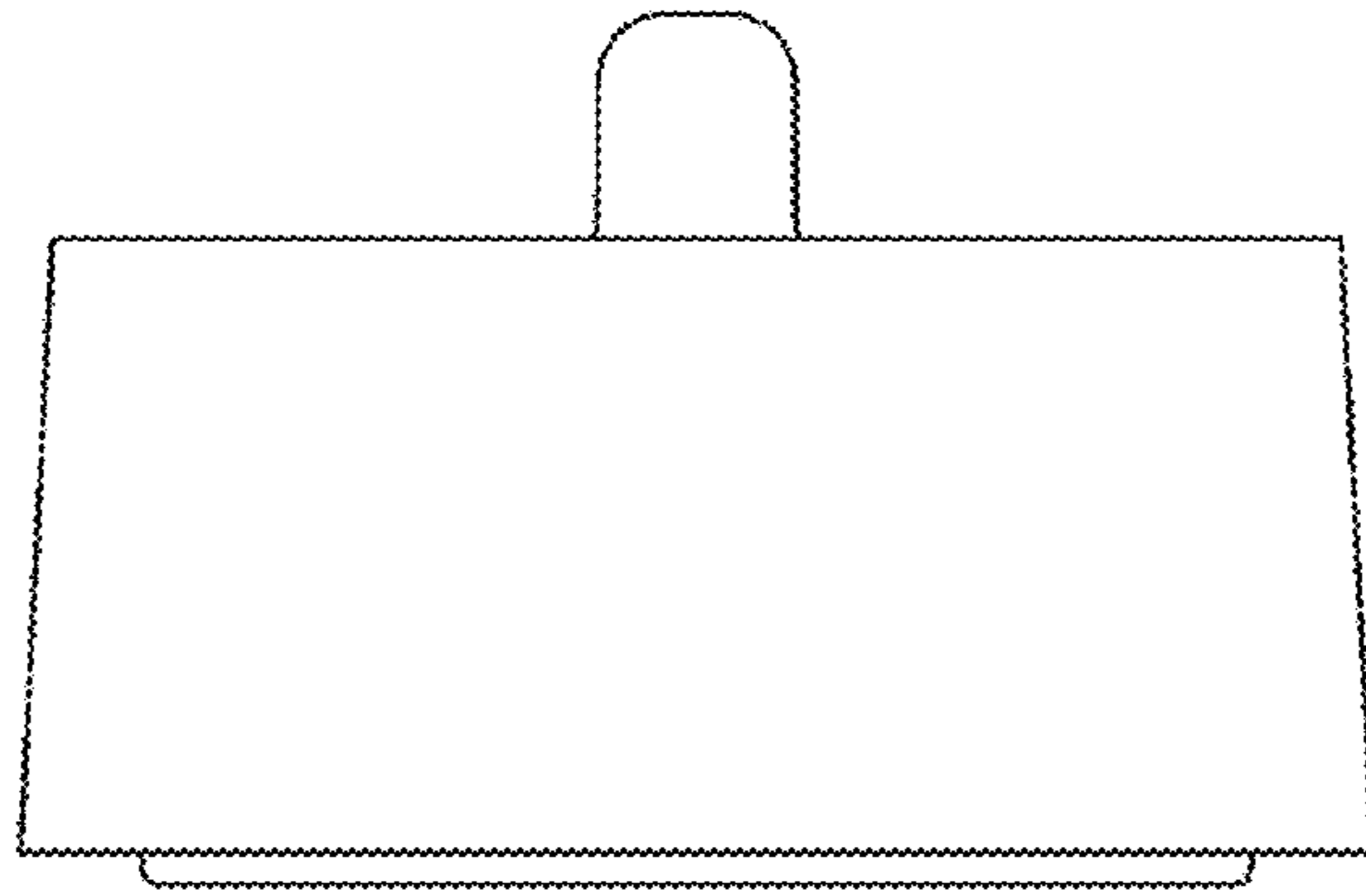
FOREIGN PATENT DOCUMENTS

EP 1092399 4/2001  
 JP D1357946 5/2009  
 JP D1357947 5/2009  
 WO WO2009019031 2/2009  
 WO WO2013160794 10/2013

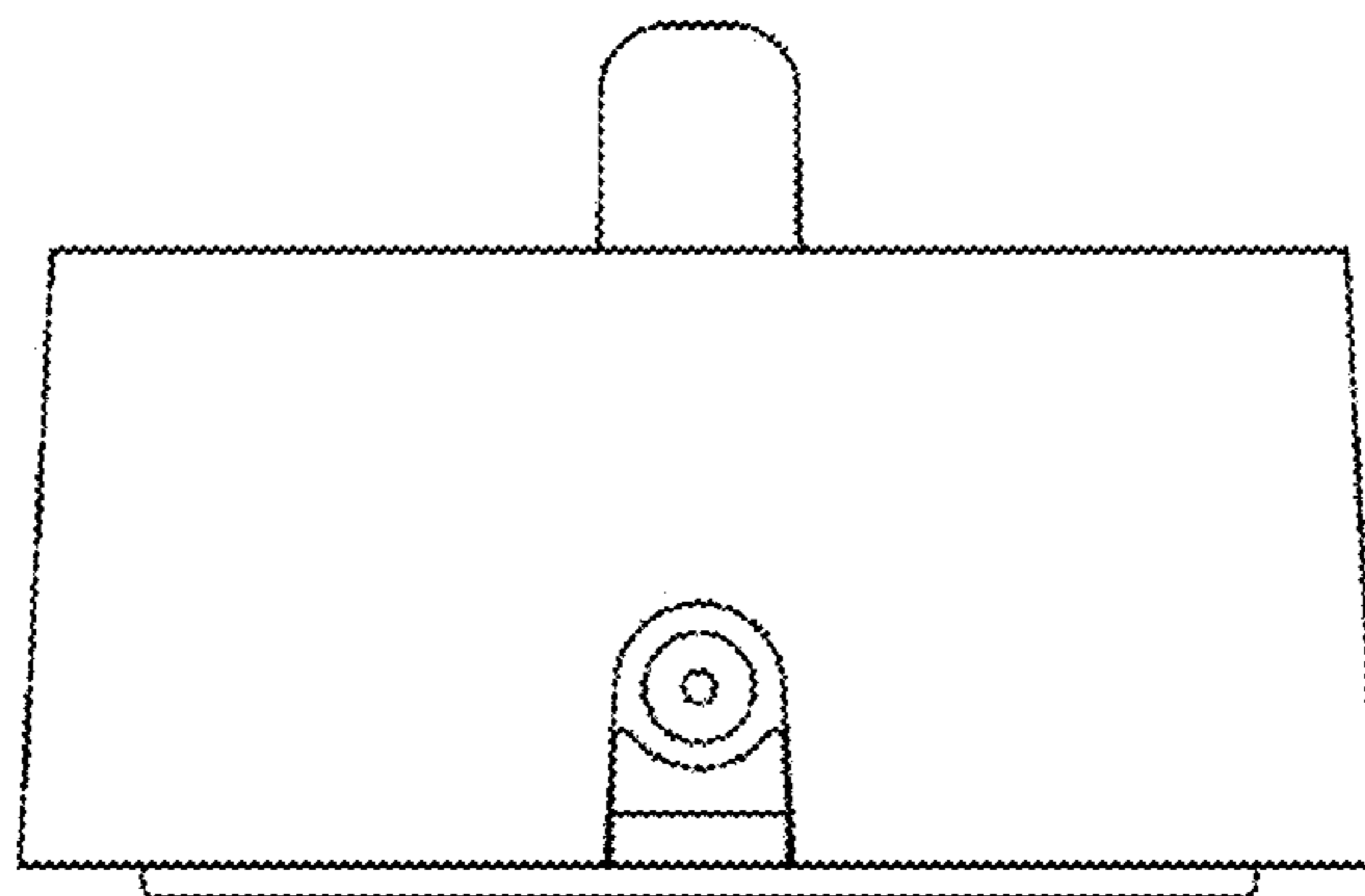
\* cited by examiner



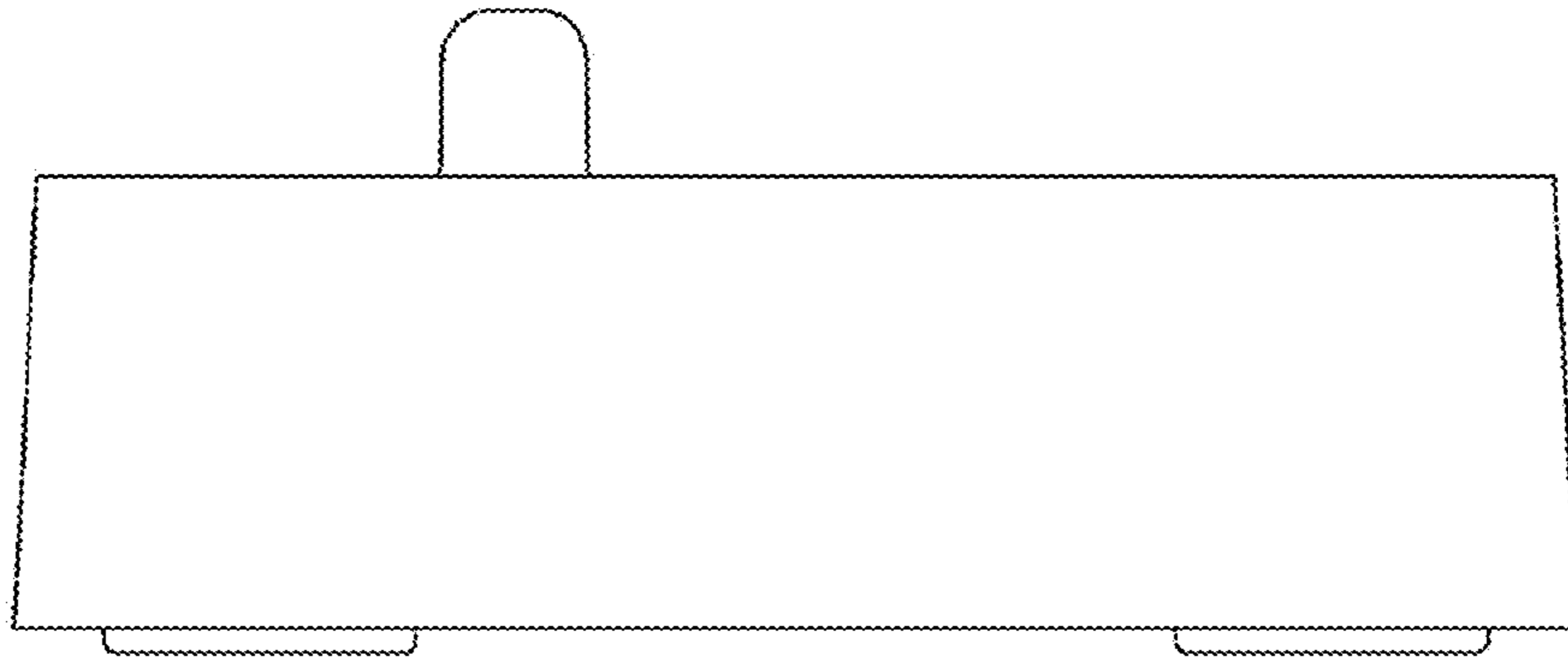
**FIG. 1**



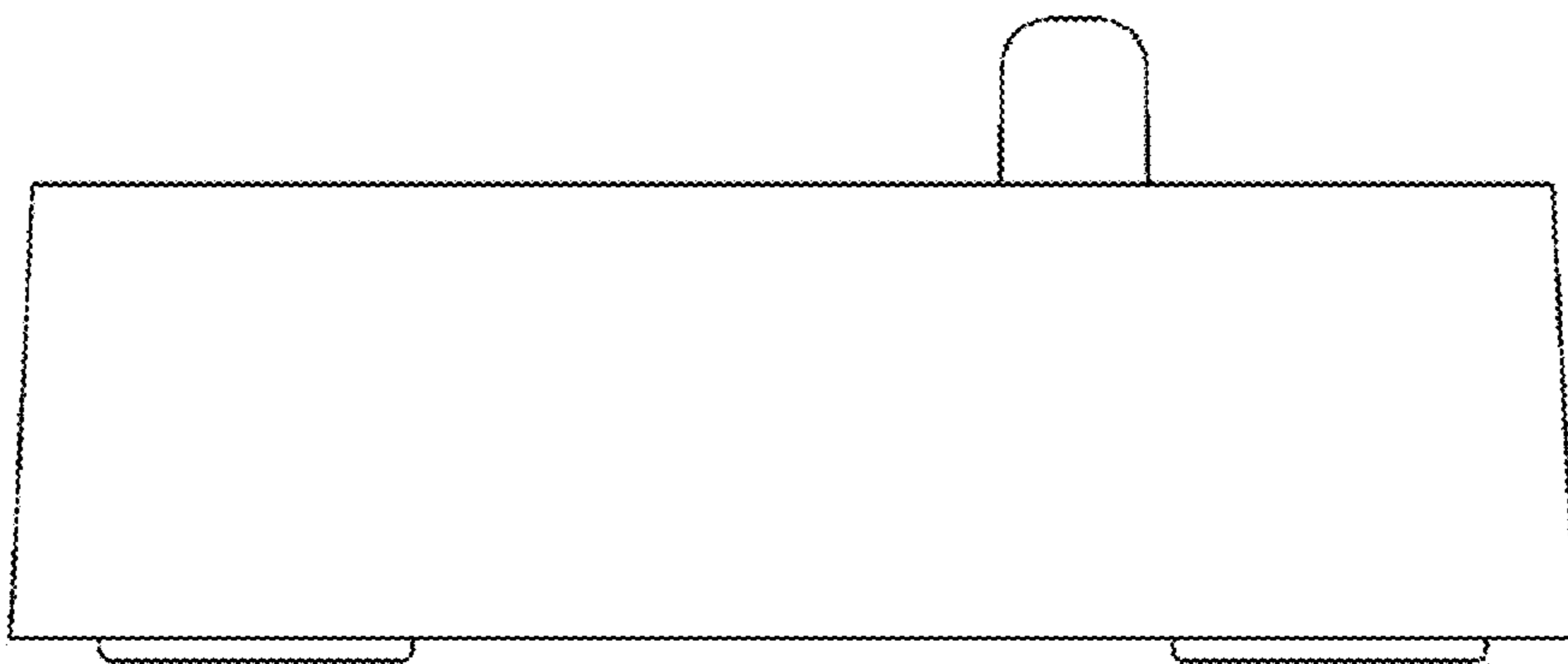
**FIG. 2**



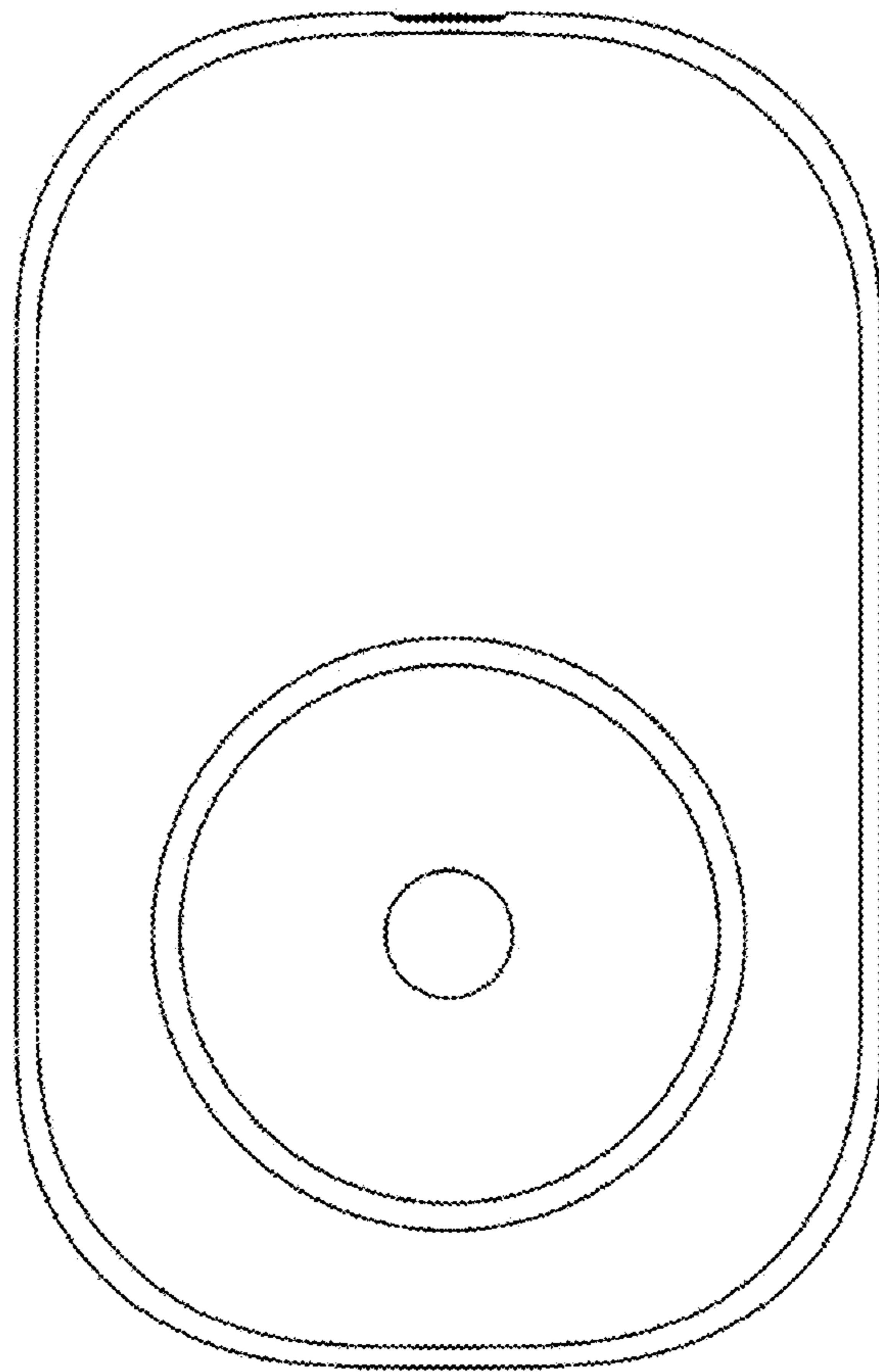
**FIG. 3**



**FIG. 4**



**FIG. 5**



**FIG. 6**

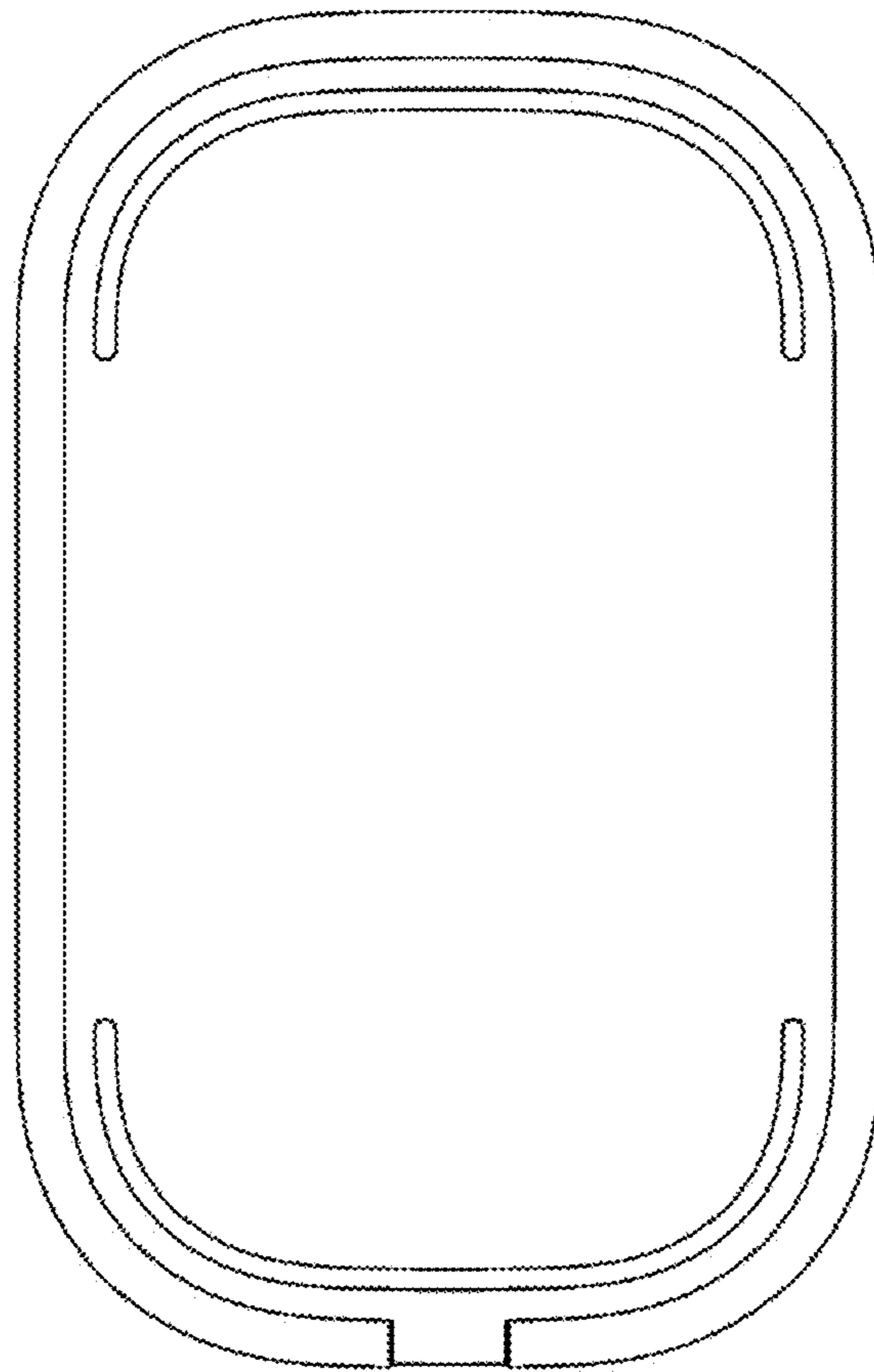


FIG. 7

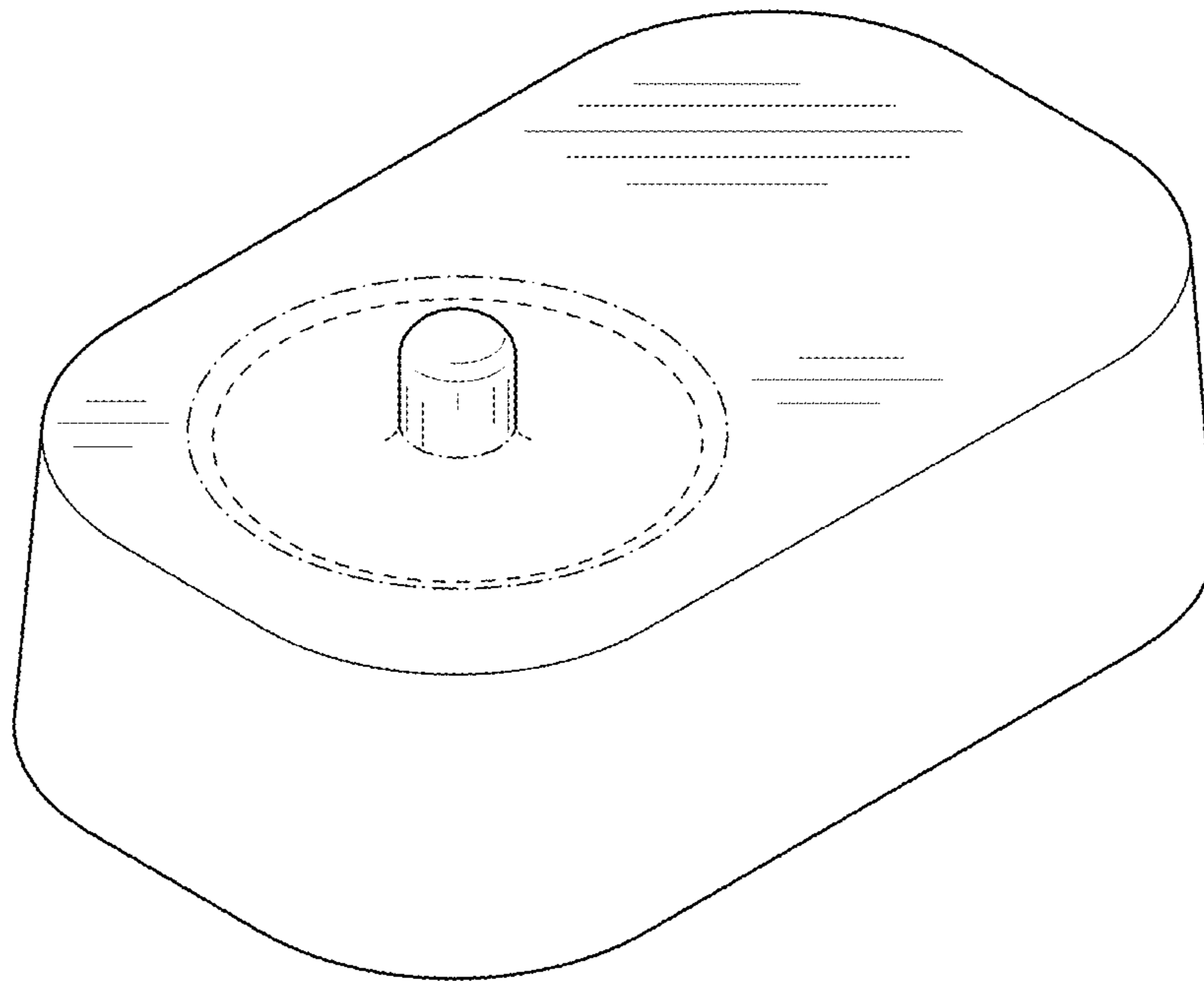


FIG. 8



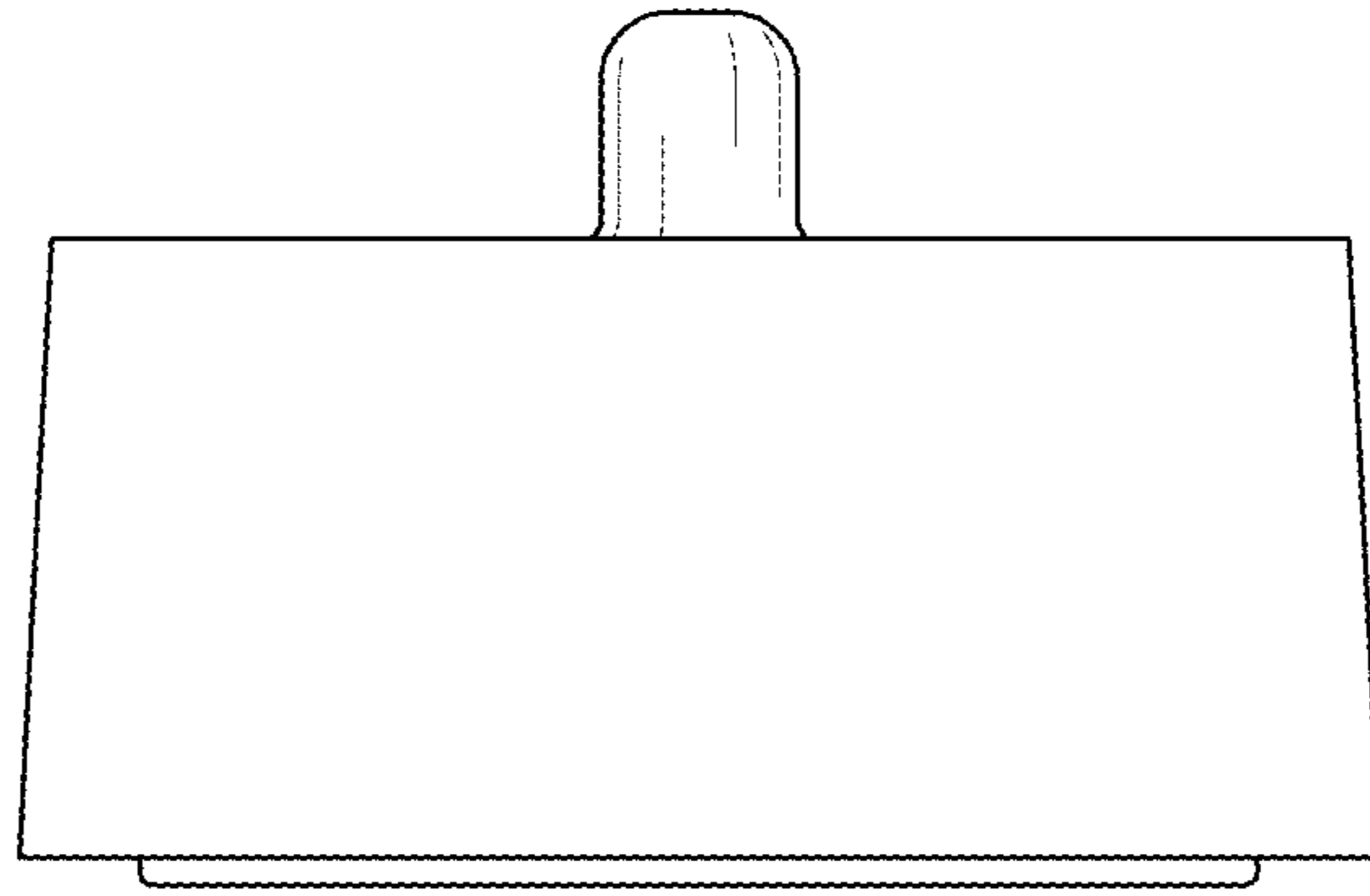


FIG. 9

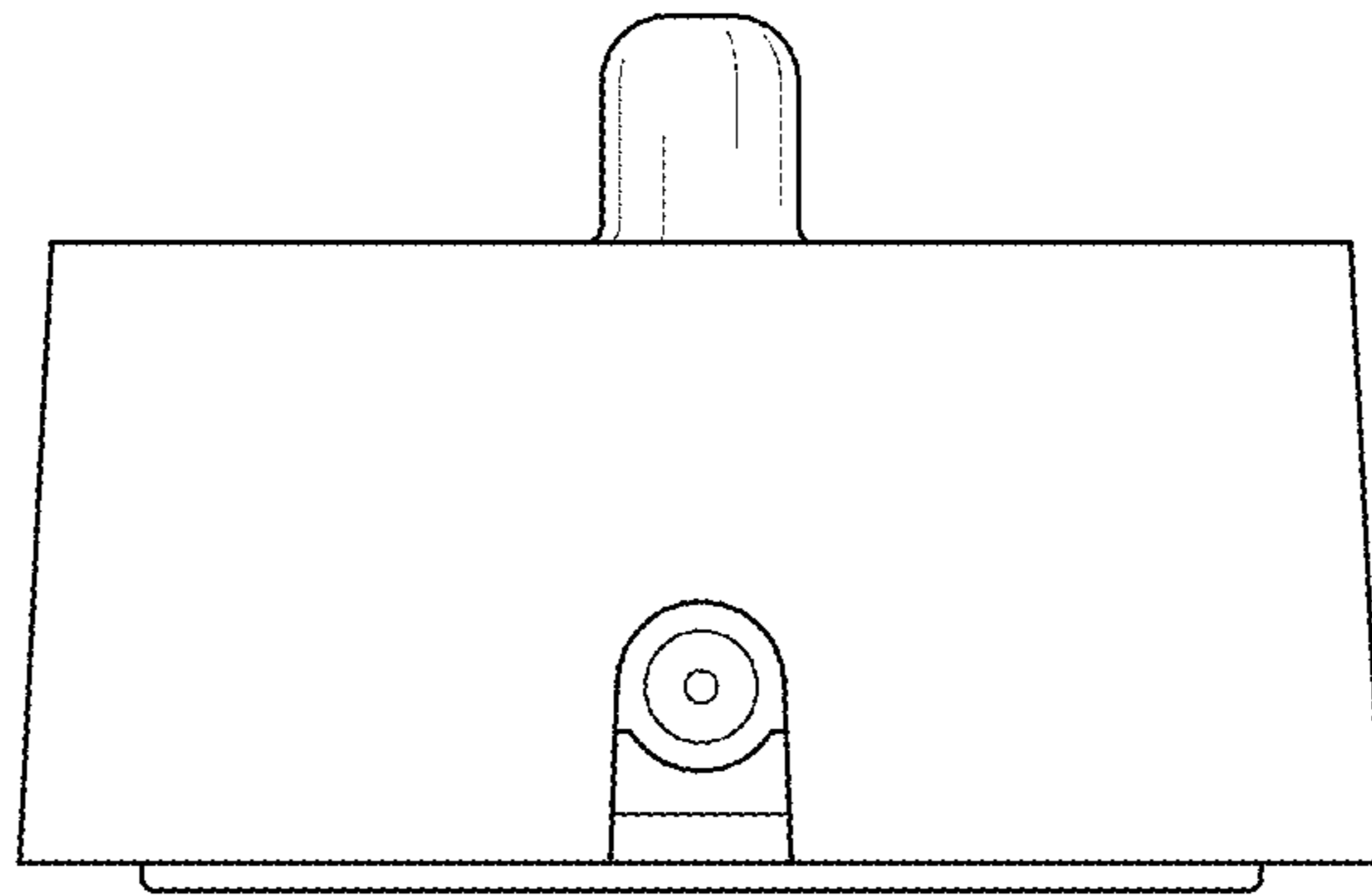


FIG. 10

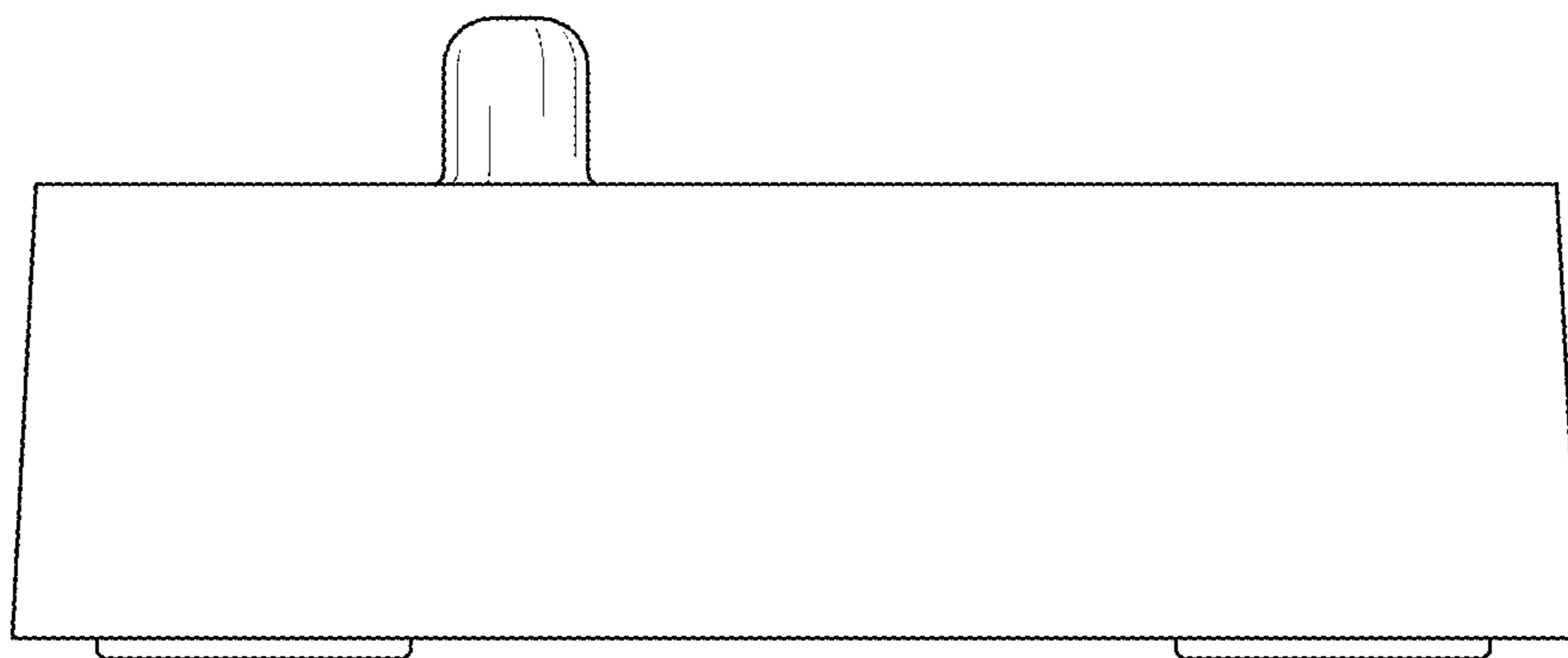


FIG. 11

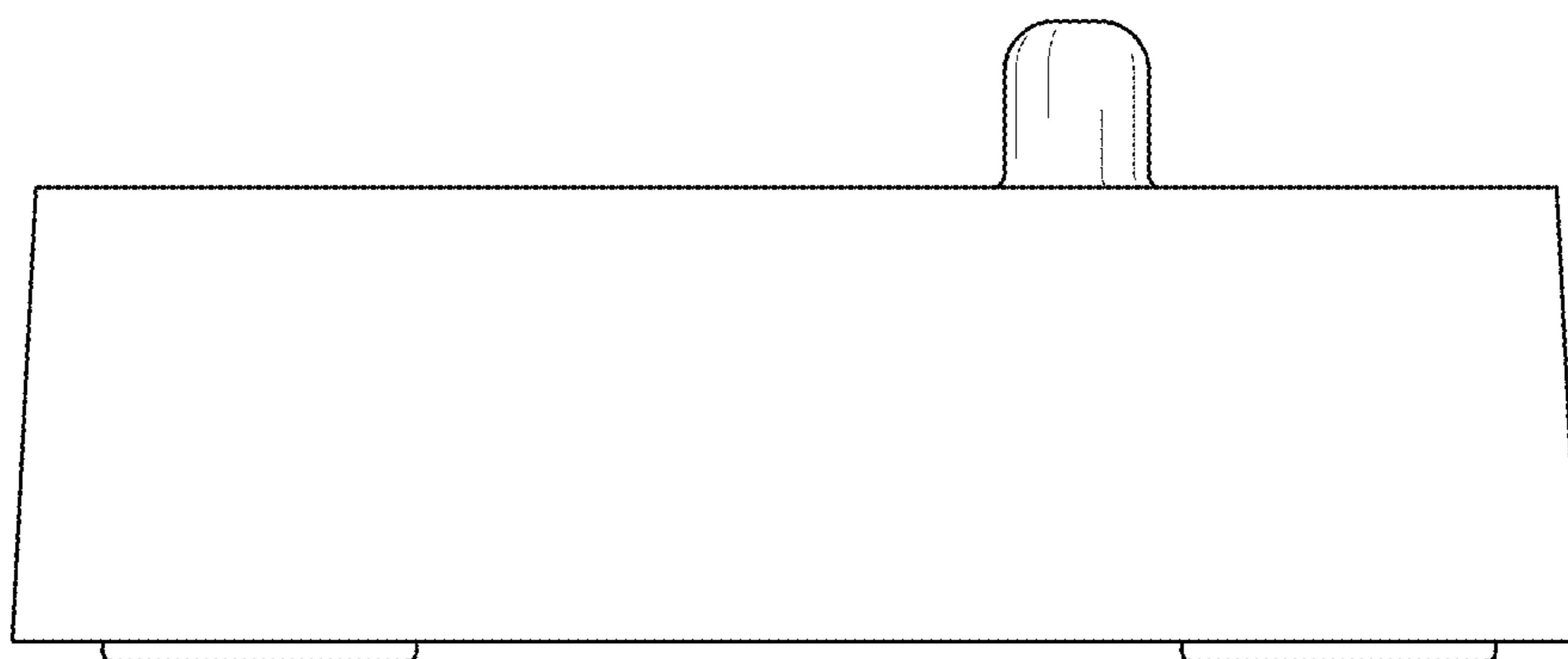


FIG. 12

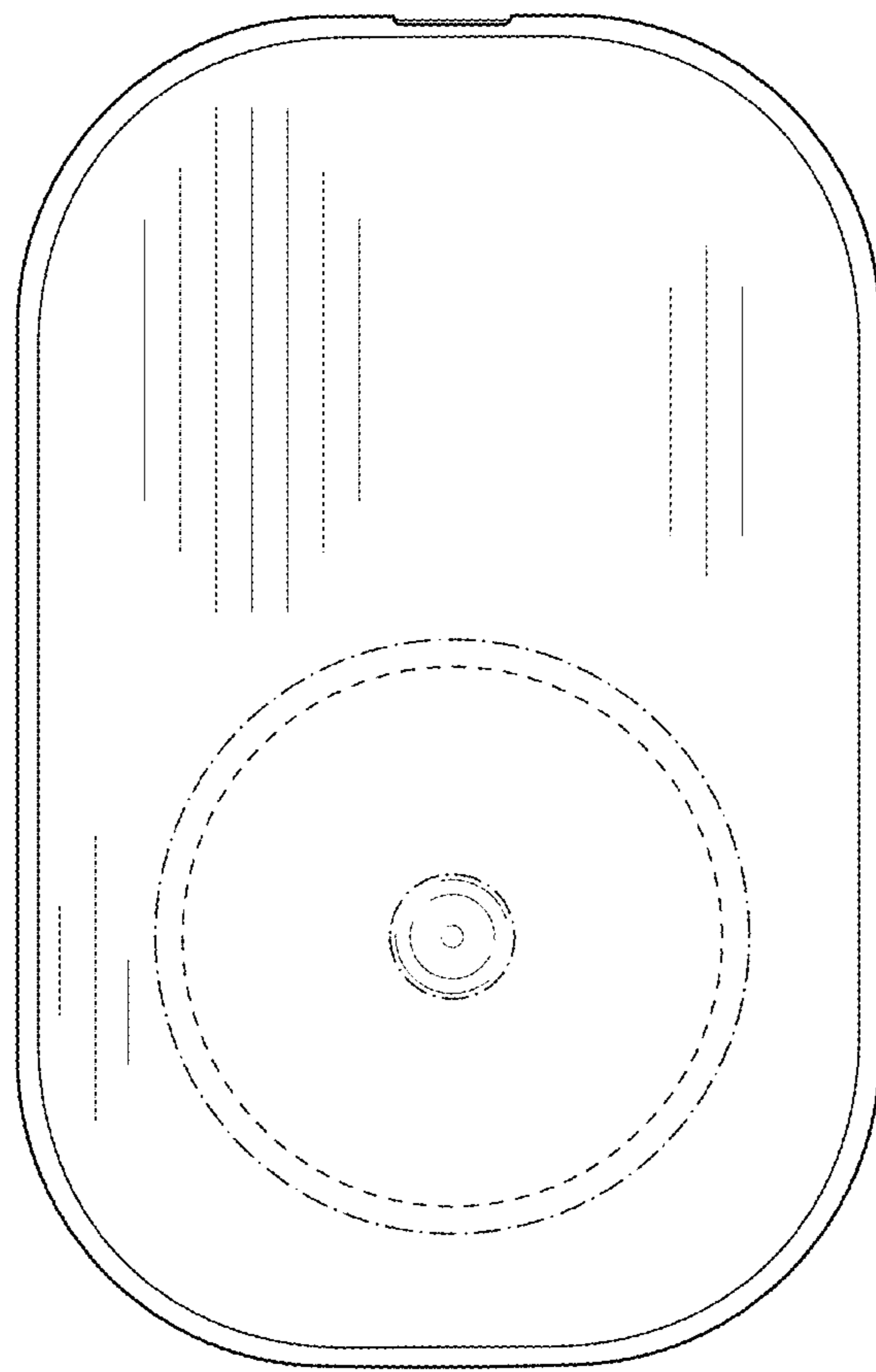


FIG. 13

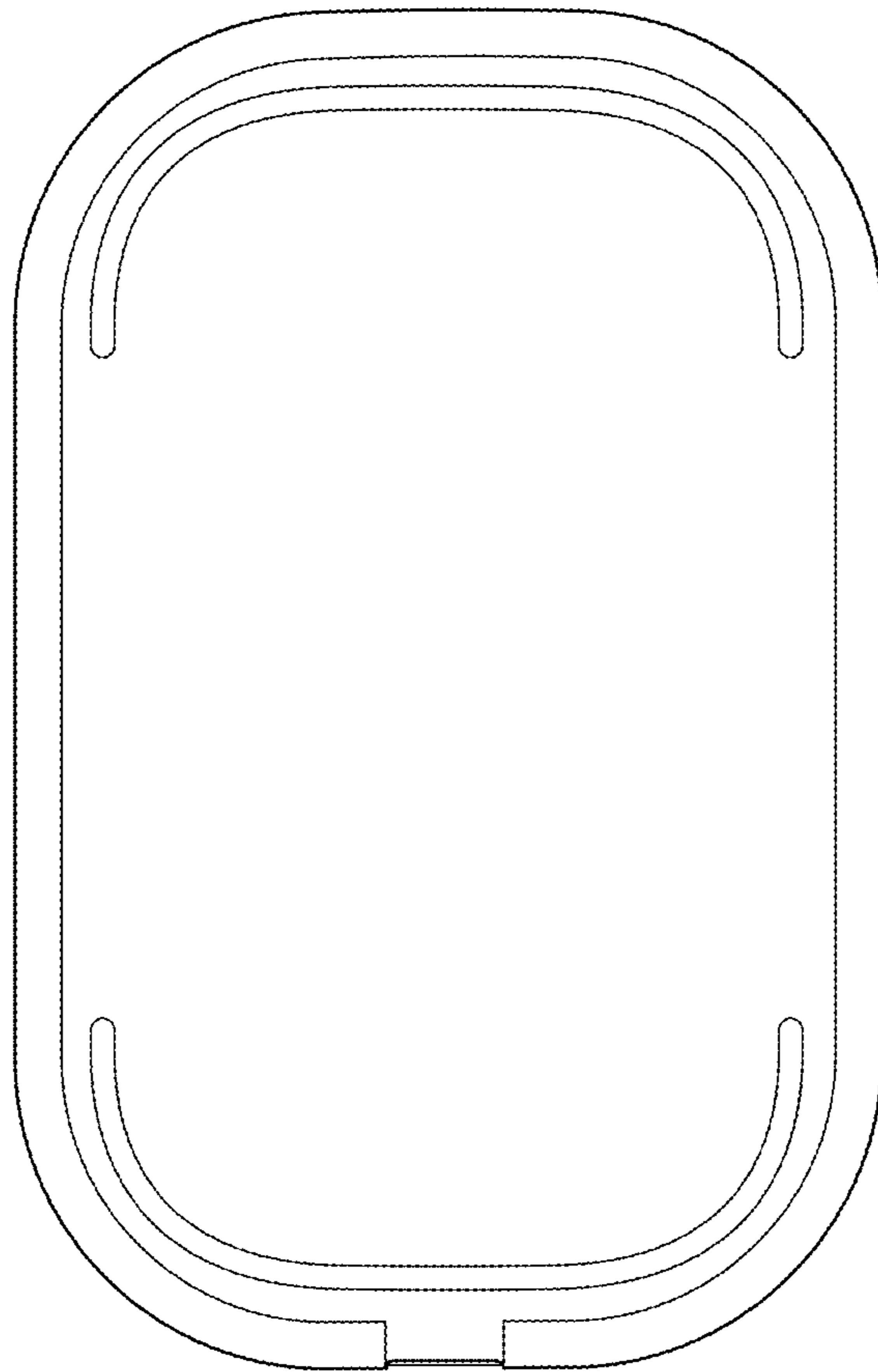


FIG. 14