



US00D768568S

(12) **United States Design Patent**
Park et al.

(10) **Patent No.:** **US D768,568 S**
(45) **Date of Patent:** **** Oct. 11, 2016**

(54) **BATTERY FOR PORTABLE TERMINAL**

- (71) Applicant: **LG Chem, Ltd.**, Seoul (KR)
- (72) Inventors: **Byung-O Park**, Daejeon (KR); **In-Gu An**, Daejeon (KR); **Hyung-Ku Yun**, Daejeon (KR); **Dong-Myung Kim**, Daejeon (KR)
- (73) Assignee: **LG Chem, Ltd.** (KR)
- (**) Term: **15 Years**
- (21) Appl. No.: **29/539,223**
- (22) Filed: **Sep. 11, 2015**
- (30) **Foreign Application Priority Data**

Jan. 13, 2015 (KR) 30-2015-0001700

- (51) **LOC (10) Cl.** **13-02**
- (52) **U.S. Cl.**
USPC **D13/103**

- (58) **Field of Classification Search**
USPC D13/102-110, 118-119, 184, 199, 120, D13/154, 146, 147, 133; D14/356, 432; 320/103, 111-115, 135, 138, 140
CPC Y02E 60/10; Y02E 60/12; Y02E 60/122; Y02E 60/124; Y02E 60/50; H01M 2/02; H01M 2/20; H01M 2/022; H01M 2/0202; H01M 2/0207; H01M 2/0212; H01M 2/1061; H01M 2/1022; H01M 2/1055; H01M 2/1066; H01M 2/105; H01M 2/204; H01M 2/202; H01M 2/206; H01M 10/4257; H01M 10/0436; H01M 10/48; H01M 10/44; H01M 10/46; H01M 10/465; H01M 10/482; H01M 2200/30; H01M 2250/30; H01M 2250/40; H02J 7/00; H02J 7/0003; H02J 7/0011; H02J 7/0013; H02J 7/0054; H02J 7/0055; H02J 7/0057; H02J 2007/0062
See application file for complete search history.

(56) **References Cited**

U.S. PATENT DOCUMENTS

- D709,822 S * 7/2014 Kwon D13/103
- D715,732 S * 10/2014 Kwon D13/103

(Continued)

FOREIGN PATENT DOCUMENTS

JP	D1094027	12/2000
JP	D1094028	12/2000
JP	HD1900333000	10/2007

Primary Examiner — Rosemary K Tarcza
Assistant Examiner — Christy Nemeth
 (74) *Attorney, Agent, or Firm* — Lerner, David, Littenberg, Krumholz & Mentlik, LLP

(57) **CLAIM**

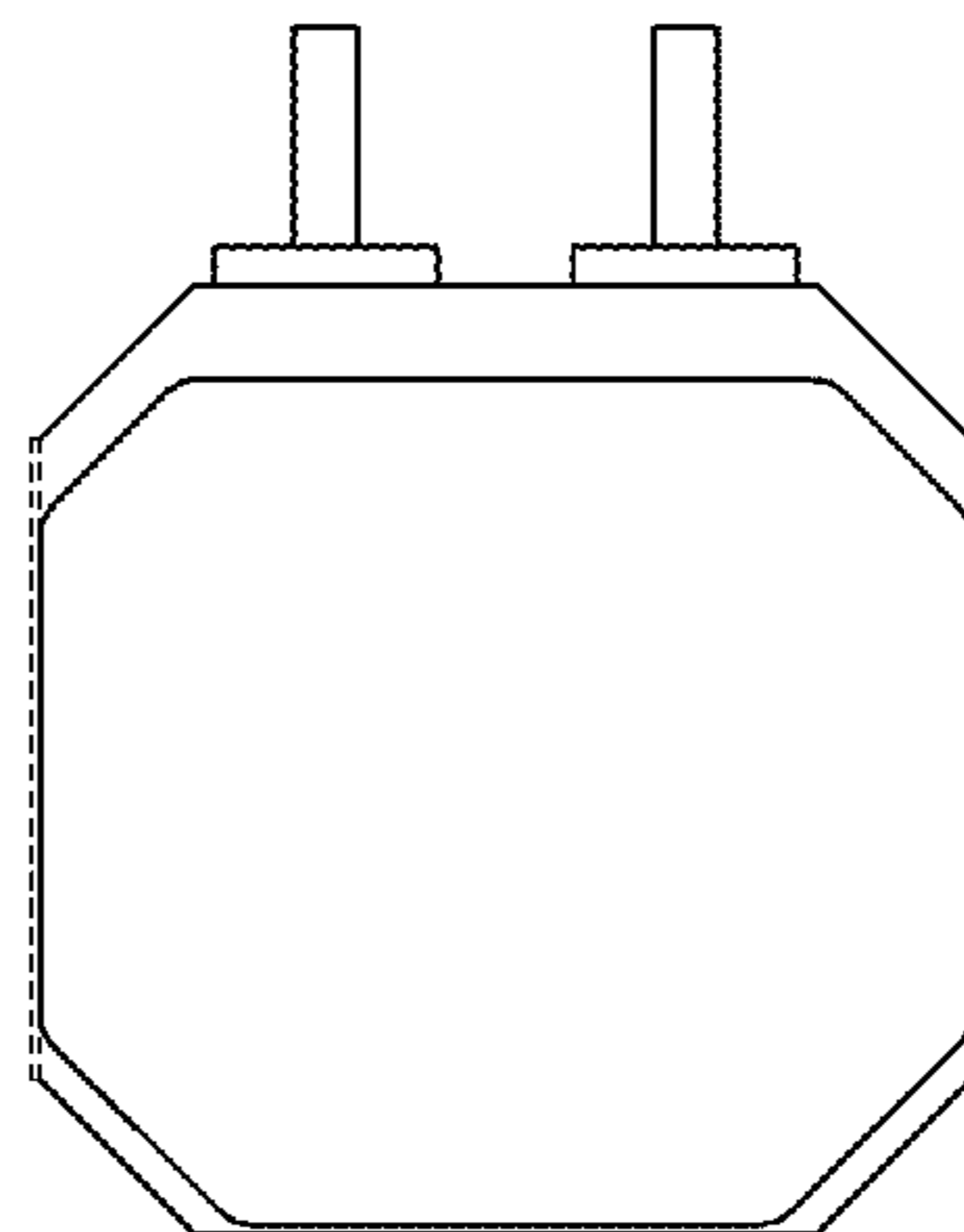
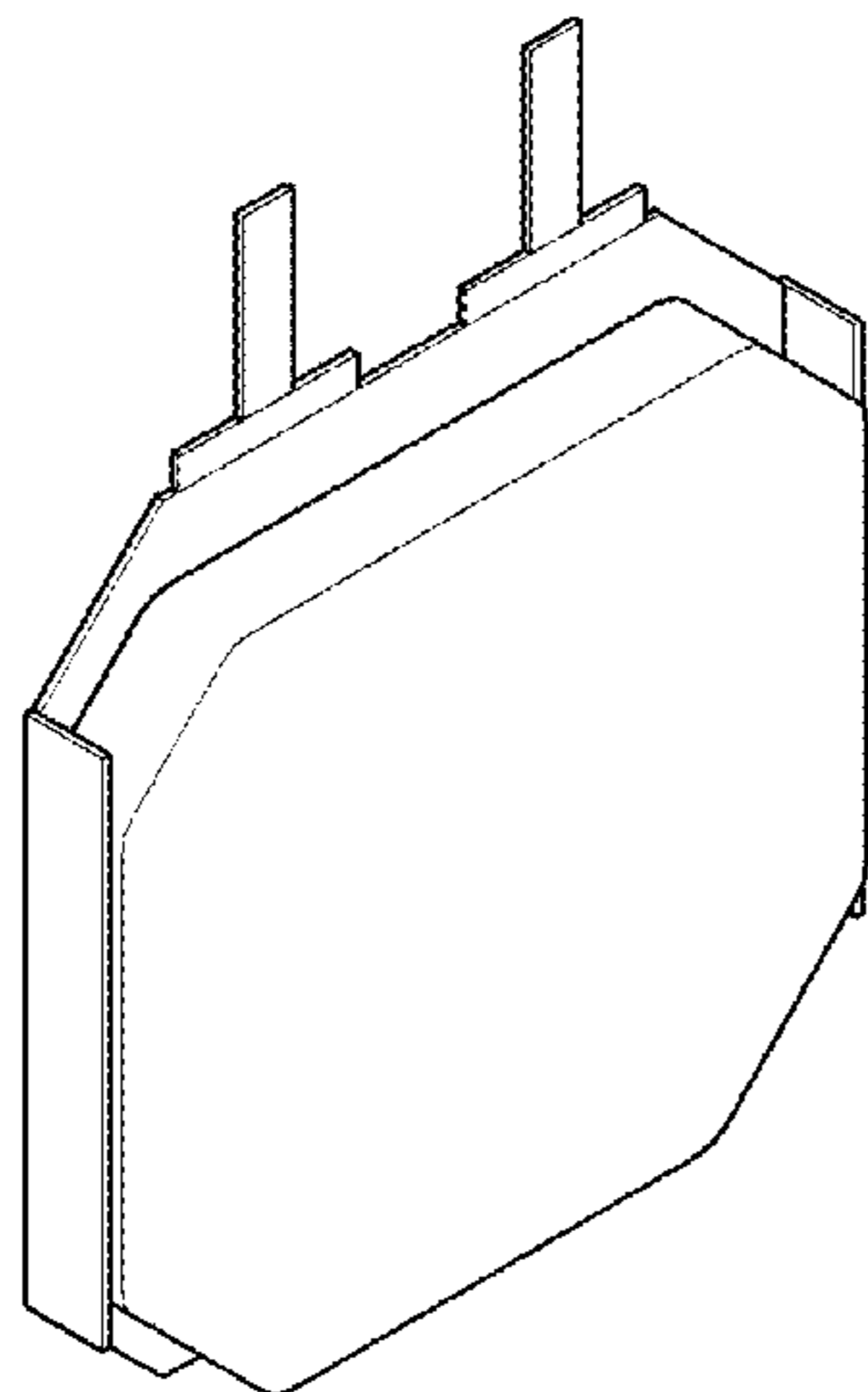
The ornamental design for a battery for portable terminal, as shown and described.

DESCRIPTION

FIG. 1 is a front perspective view of a battery for portable terminal according to a first embodiment of our design; FIG. 2 is a front view thereof; FIG. 3 is a rear view thereof; FIG. 4 is a left side view thereof; FIG. 5 is a right side view thereof; FIG. 6 is a top view thereof; FIG. 7 is a bottom view thereof; FIG. 8 is a front perspective view of a battery for portable terminal according to a second embodiment of our design; FIG. 9 is a front view thereof; FIG. 10 is a rear view thereof; FIG. 11 is a left side view thereof; FIG. 12 is a right side view thereof; FIG. 13 is a top view thereof; FIG. 14 is a bottom view thereof; FIG. 15 is a front perspective view of a battery for portable terminal according to a third embodiment of our design; FIG. 16 is a front view thereof; FIG. 17 is a rear view thereof; FIG. 18 is a left side view thereof; FIG. 19 is a right side view thereof; FIG. 20 is a top view thereof; and, FIG. 21 is a bottom view thereof.

The broken lines in the drawings illustrate unclaimed elements of the battery for portable terminal, and form no part of the claimed design. The dash-dot lines illustrate the boundaries of the claim, and form no part of the claimed design.

1 Claim, 9 Drawing Sheets



(56)

References Cited

U.S. PATENT DOCUMENTS

D716,722 S *	11/2014	Kwon	D13/103	2007/0128513 A1*	6/2007	Hatta	H01M 2/021 429/176
D724,014 S *	3/2015	Kwon	D13/103	2007/0207379 A1*	9/2007	Hatta	H01M 2/0207 429/176
D724,016 S *	3/2015	Kwon	D13/103	2008/0254348 A1*	10/2008	Hatta	H01M 2/021 429/94
D724,019 S *	3/2015	Kwon	D13/103	2011/0064974 A1*	3/2011	Heo	H01M 2/0469 429/7
D724,020 S *	3/2015	Kwon	D13/103	2013/0059183 A1*	3/2013	Ahn	H01M 2/0217 429/94
D724,529 S *	3/2015	Kwon	D13/103	2013/0196194 A1*	8/2013	Park	H01M 2/0207 429/72
D724,530 S *	3/2015	Kwon	D13/103	2015/0303426 A1*	10/2015	Kim	B29C 65/08 429/163
D724,532 S *	3/2015	Kwon	D13/103					
D724,533 S *	3/2015	Kwon	D13/103					
2005/0208344 A1*	9/2005	Tan	G06F 1/263 429/7					

* cited by examiner

FIG. 1

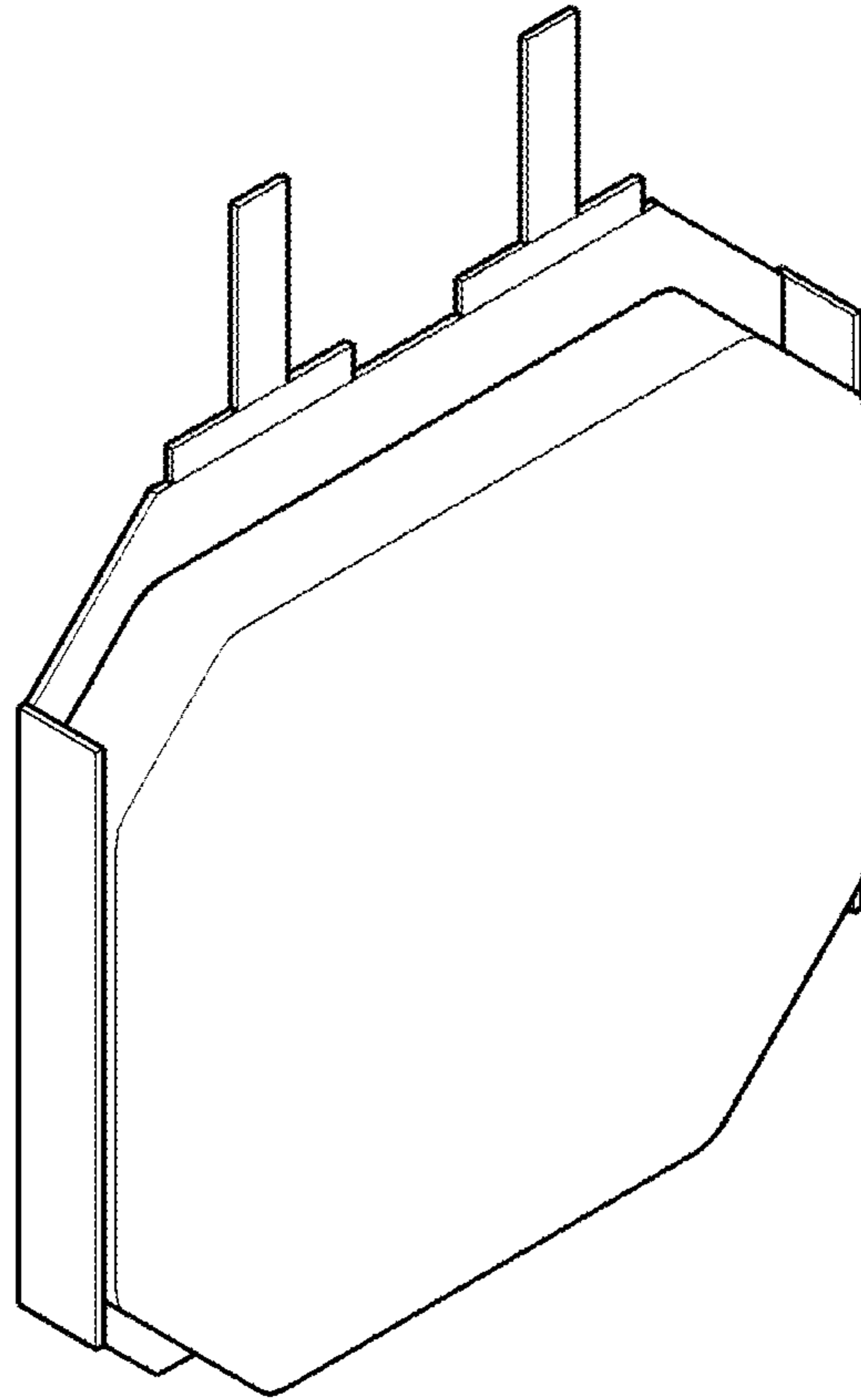


FIG. 2

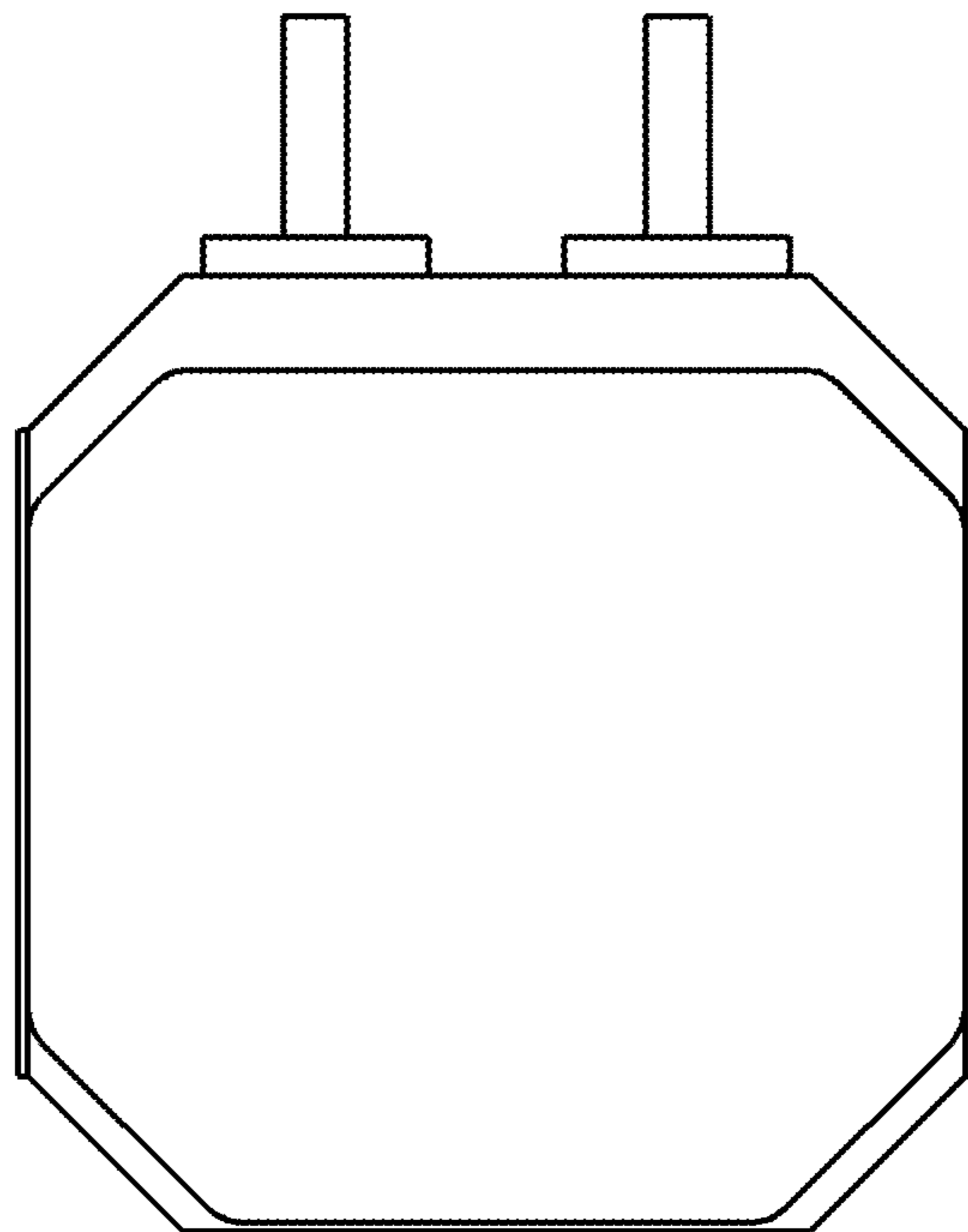


FIG. 3

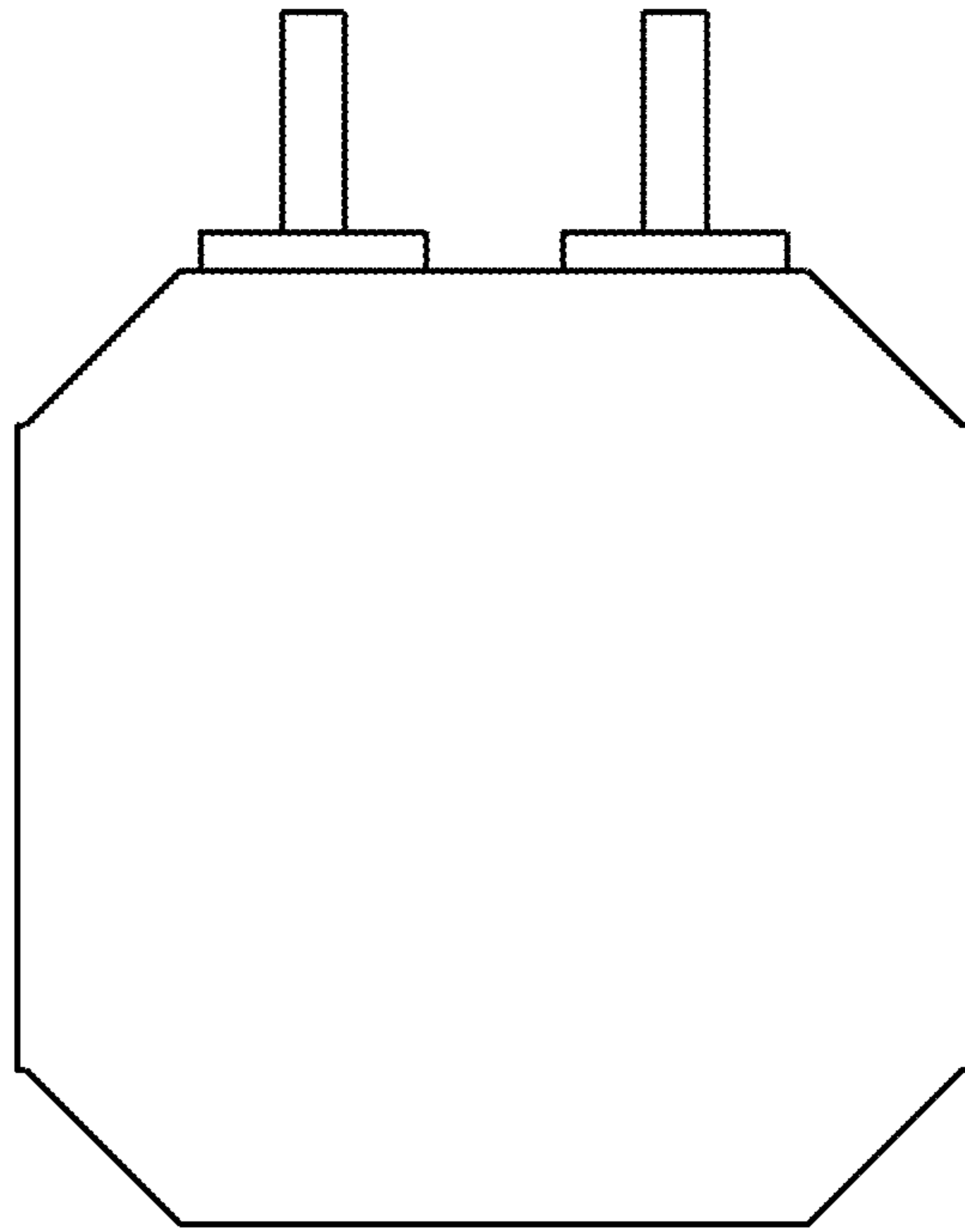


FIG. 4



FIG. 5

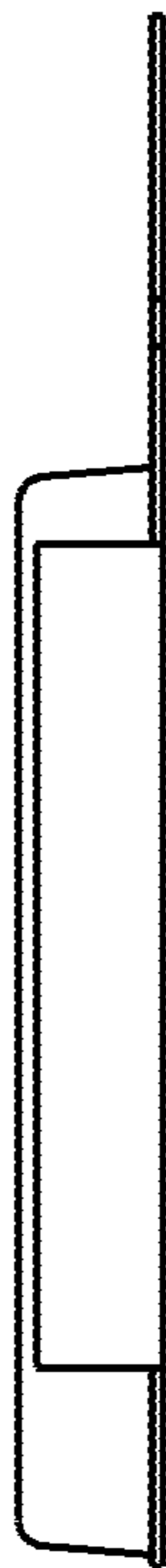


FIG. 6



FIG. 7



FIG. 8

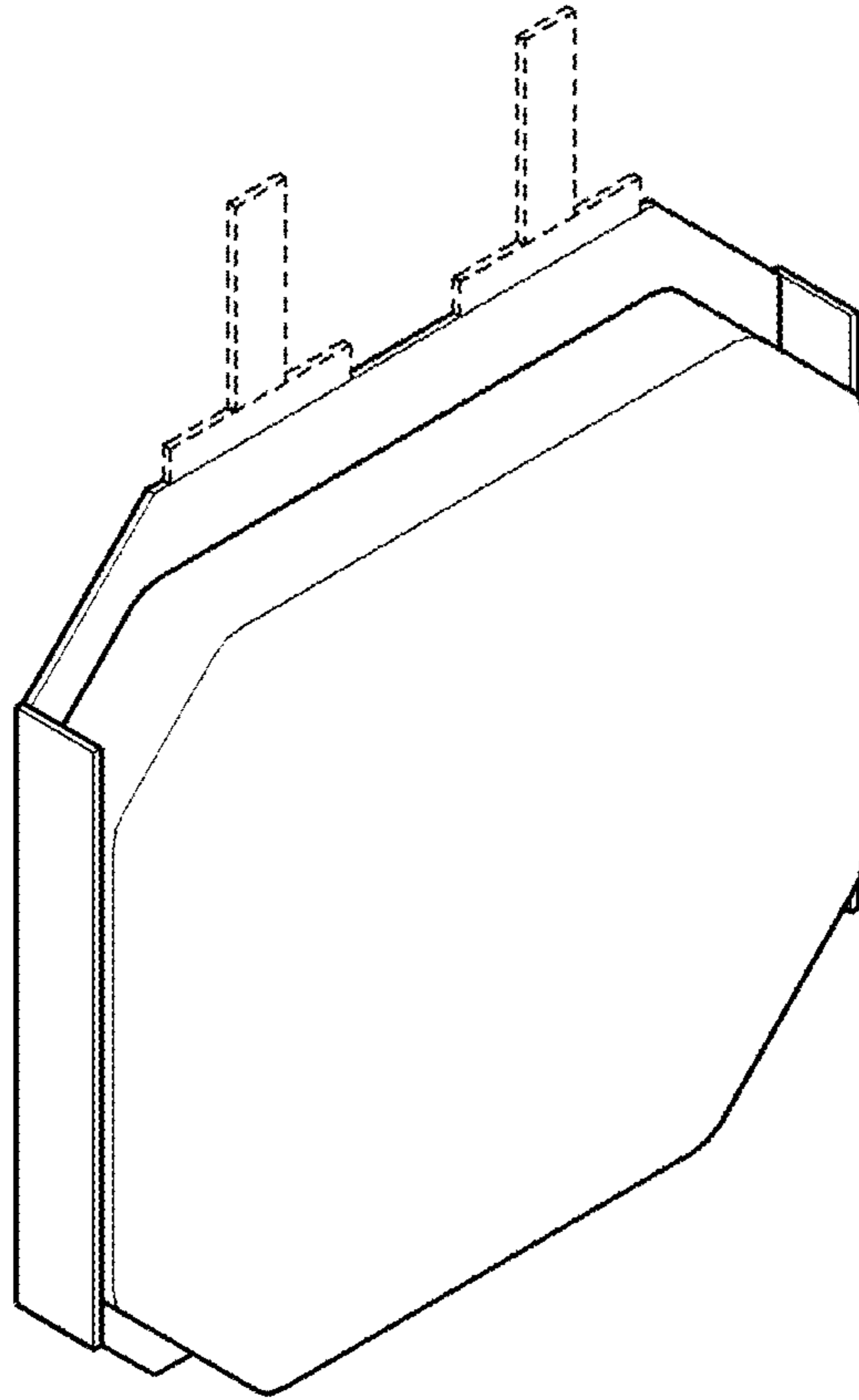


FIG. 9

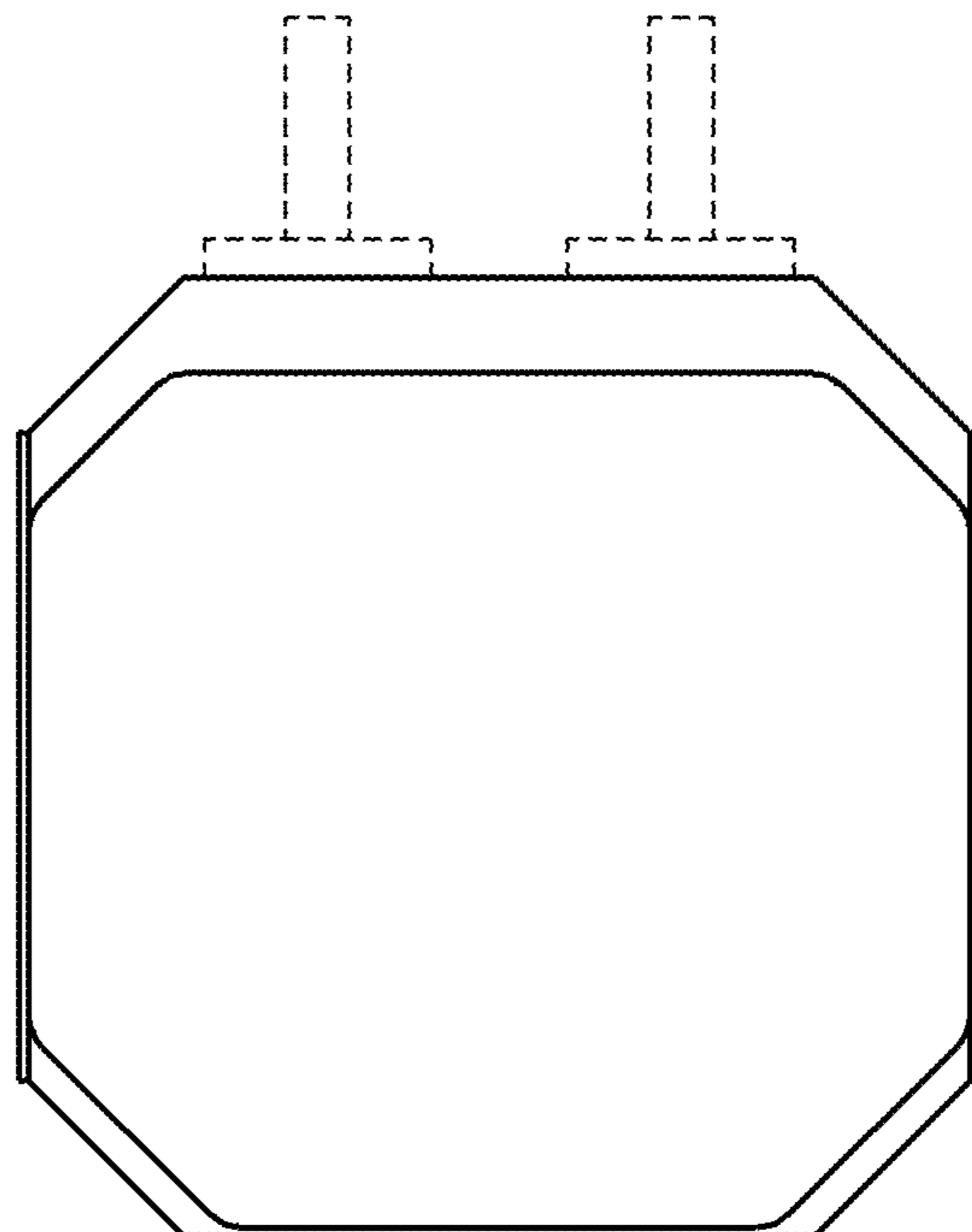


FIG. 10

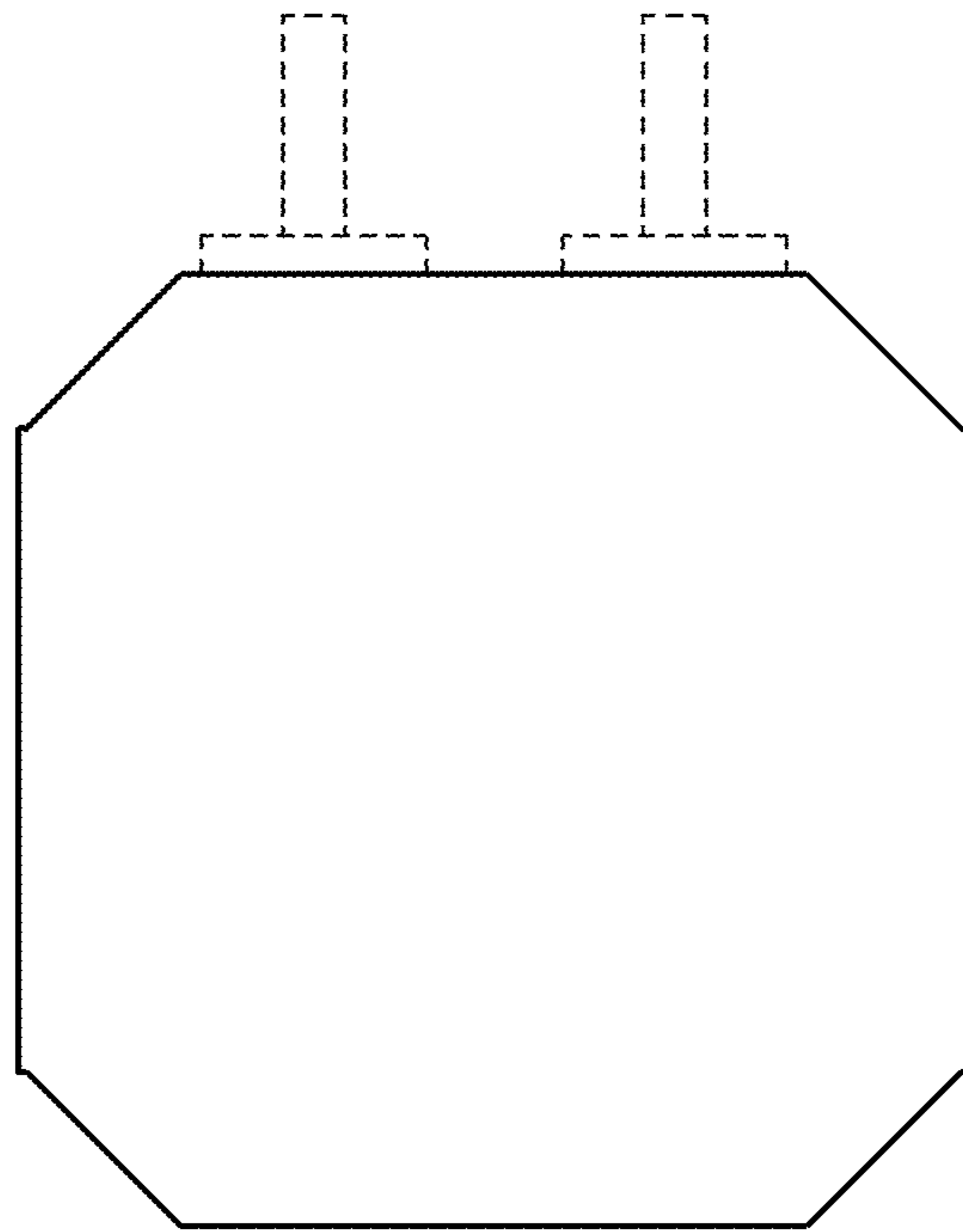


FIG. 11

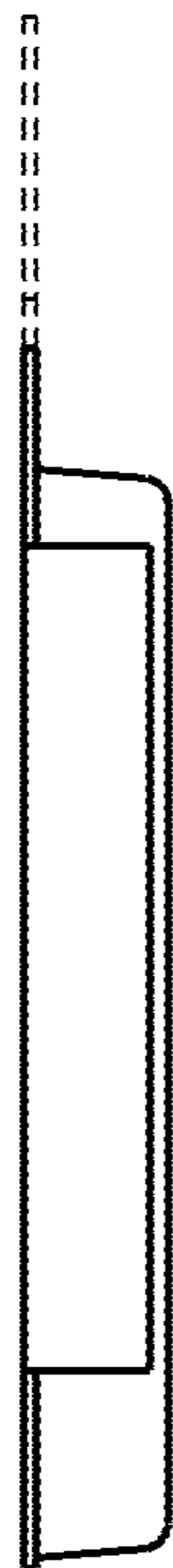


FIG. 12



FIG. 13



FIG. 14



FIG. 15

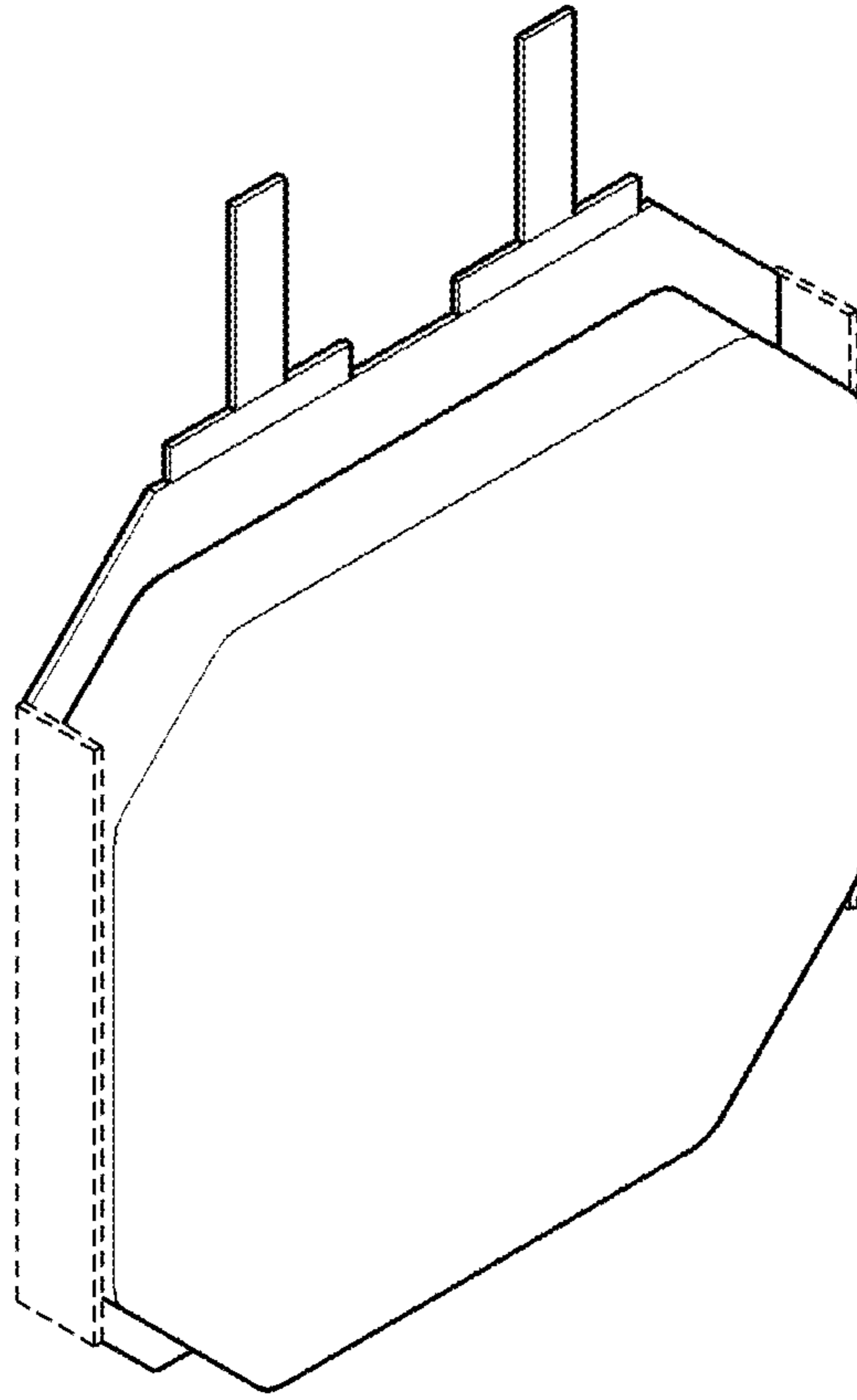


FIG. 16

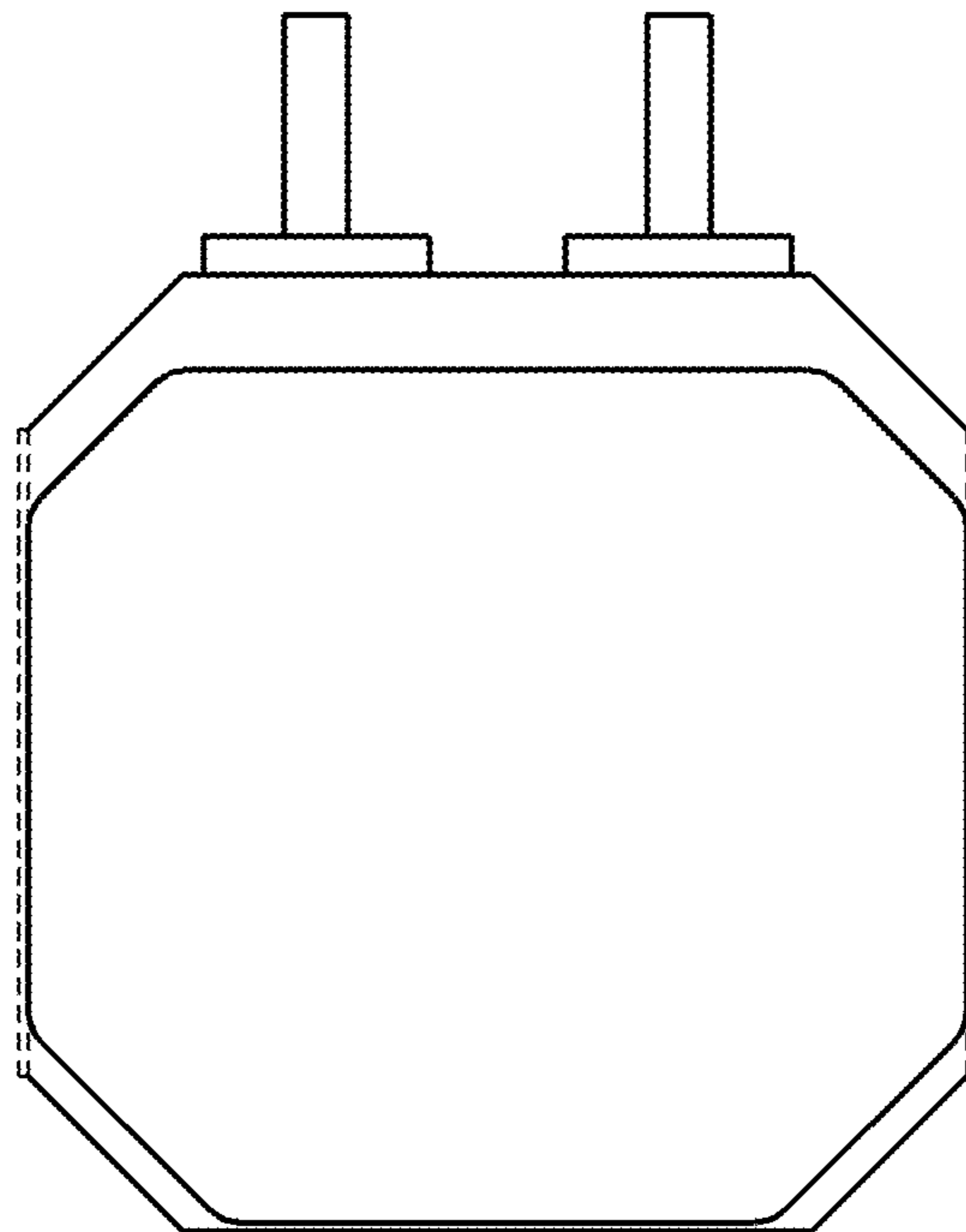


FIG. 17

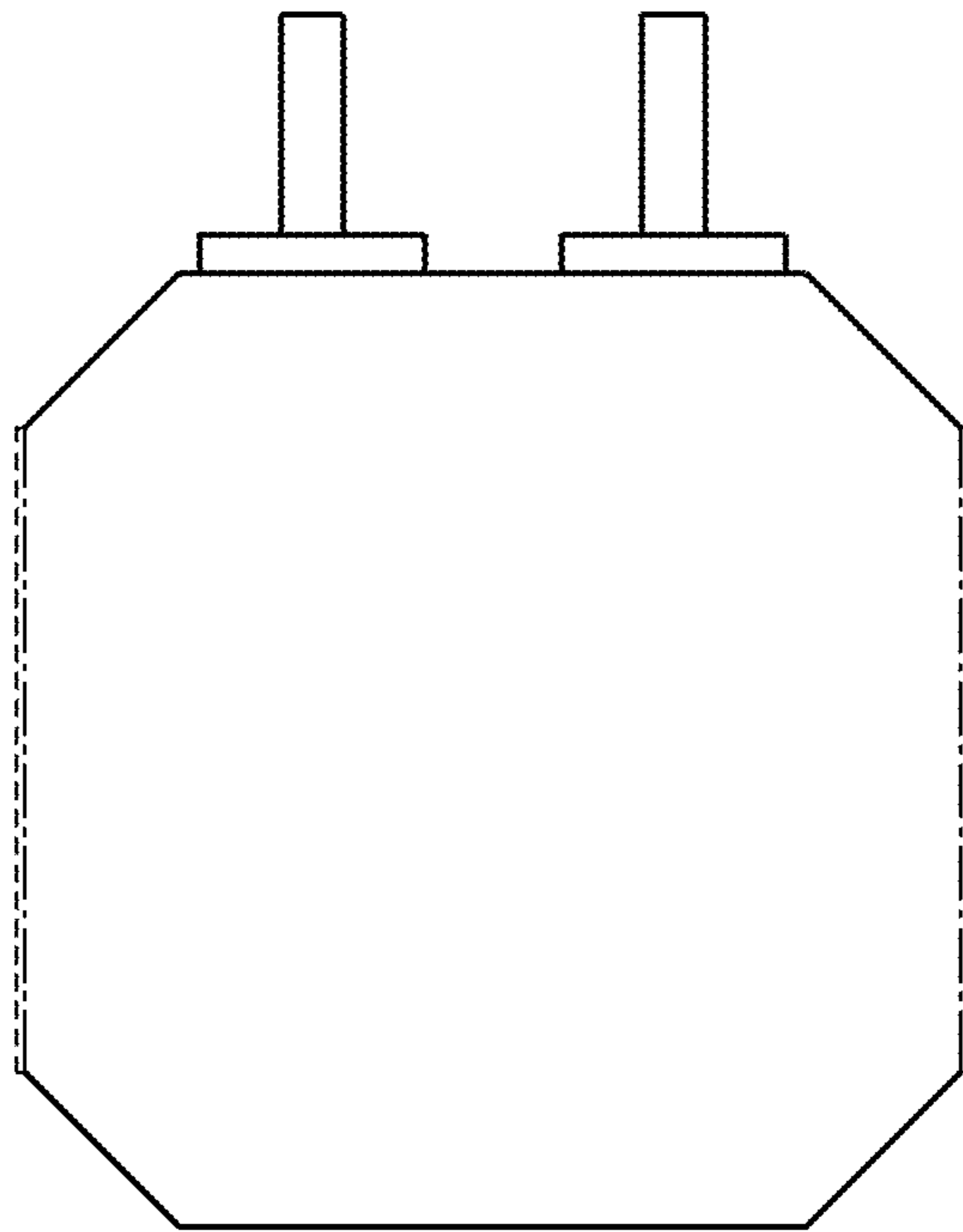


FIG. 18

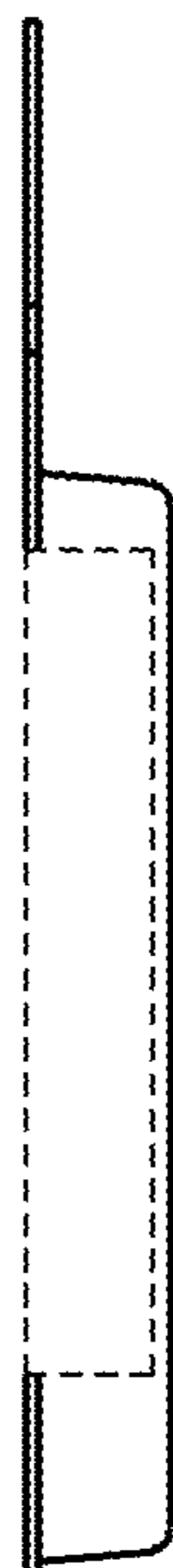


FIG. 19

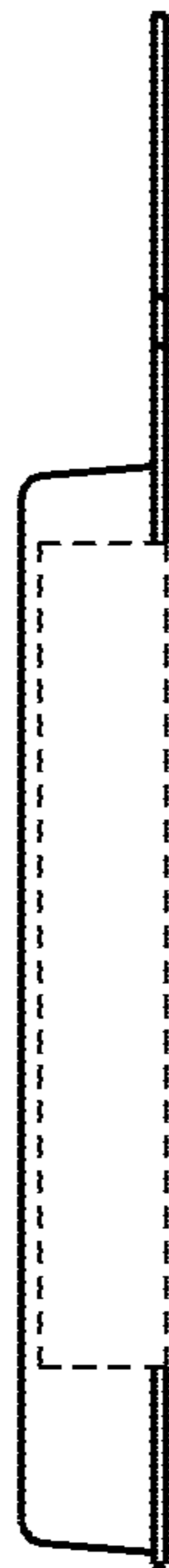


FIG. 20



FIG. 21

