



US00D768567S

(12) **United States Design Patent** (10) **Patent No.:** **US D768,567 S**  
**Caubel et al.** (45) **Date of Patent:** **\*\* Oct. 11, 2016**

(54) **BATTERY FOR A REMOTE CONTROLLED TOY**

(71) Applicant: **PARROT**, Paris (FR)

(72) Inventors: **Christine Caubel**, Paris (FR); **Flavien Morra**, Paris (FR)

(73) Assignee: **Parrot Drones**, Paris (FR)

(\*\*) Term: **14 Years**

(21) Appl. No.: **29/502,801**

(22) Filed: **Sep. 19, 2014**

(30) **Foreign Application Priority Data**

Sep. 8, 2014 (EM) ..... 002532952

(51) **LOC (10) Cl.** ..... **13-02**

(52) **U.S. Cl.**  
USPC ..... **D13/103**

(58) **Field of Classification Search**  
USPC ..... D13/102, 103, 104, 105, 106, 110, 118,  
D13/119; 463/47; 320/112; 429/96, 97, 98,  
429/99, 100, 163, 176; D14/188; D21/441,  
D21/442, 448, 449, 450, 451, 452;  
244/17.23

See application file for complete search history.

(56) **References Cited**

**U.S. PATENT DOCUMENTS**

D383,433	S	*	9/1997	Richards et al.	.....	D13/103
D383,725	S	*	9/1997	Settsu	.....	D13/103
5,789,101	A	*	8/1998	Wheeler et al.	.....	429/98
D407,063	S	*	3/1999	Reis et al.	.....	D13/103
D503,922	S	*	4/2005	Shimizu	.....	D13/103
D529,438	S	*	10/2006	Viduya et al.	.....	D13/103
D534,119	S	*	12/2006	Miller et al.	.....	D13/107
D534,491	S	*	1/2007	Panebianco et al.	.....	D13/119
D592,131	S	*	5/2009	Heinzen et al.	.....	D13/103
D595,223	S	*	6/2009	Yamamoto et al.	.....	D13/108
D610,538	S	*	2/2010	Wu et al.	.....	D13/103
D615,033	S	*	5/2010	Baker et al.	.....	D13/107
D648,808	S	*	11/2011	Seydoux et al.	.....	D21/441

(Continued)

**FOREIGN PATENT DOCUMENTS**

KR 101496892 \* 3/2015 ..... B64C 25/52

**OTHER PUBLICATIONS**

“Tera 2pcs 1600mAh 11.1V High Capacity Upgrade Rechargeable Battery Pack Replacement for Parrot Bebop Drone 3.0 Color Black”  
Posted on: Mar. 21, 2015. Drone Batteries. <http://www.rctoysshop.com/en/rc-helicopter-parts/223-dji-phantom-2-vision-battery-spare-lipo-111v-5200mah-rc-lithium.html>.\*

(Continued)

*Primary Examiner* — Manpreet Matharu

*Assistant Examiner* — Suzanne Tisdell

(74) *Attorney, Agent, or Firm* — Marshall, Gerstein & Borun LLP

(57) **CLAIM**

The ornamental design for a battery for a remote controlled toy, as shown and described.

**DESCRIPTION**

FIG. 1 is an enlarged front elevation view of a battery for a remote controlled toy.

FIG. 2 is an enlarged rear elevation view of the battery for a remote controlled toy seen in FIG. 1.

FIG. 3 is a left elevation view of the battery for a remote controlled toy.

FIG. 4 is a right elevation view of the battery for a remote controlled toy.

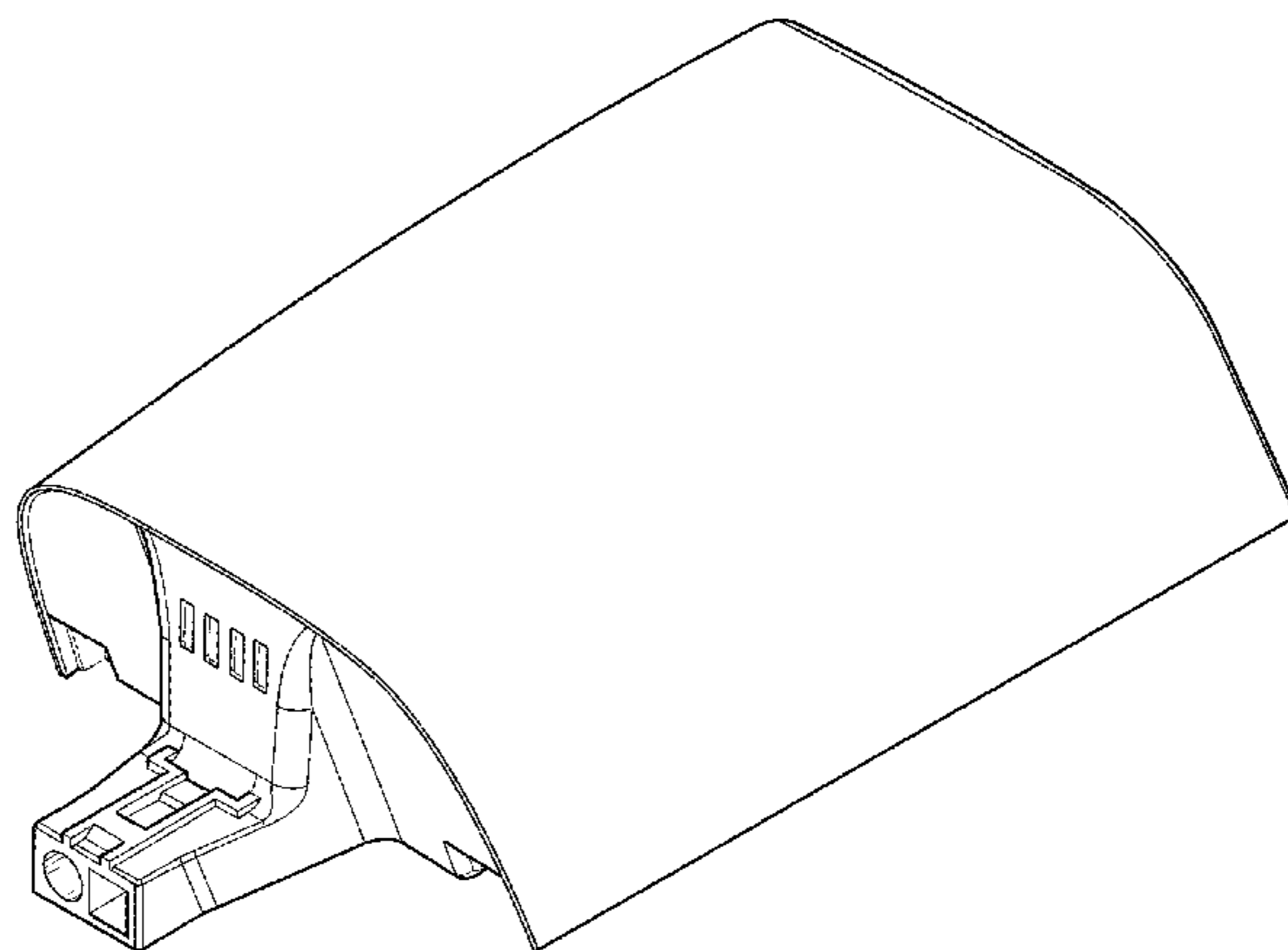
FIG. 5 is a top plan view of the battery for a remote controlled toy.

FIG. 6 is a bottom plan view; and,

FIG. 7 is an isometric view of the battery for a remote controlled toy.

The broken lines represent portions of the battery for a remote controlled toy that form no part of the claimed design.

**1 Claim, 7 Drawing Sheets**



(56)

References Cited

OTHER PUBLICATIONS

U.S. PATENT DOCUMENTS

D648,809 S \* 11/2011 Seydoux et al. .... D21/441  
D659,771 S \* 5/2012 Seydoux et al. .... D21/441  
D665,340 S \* 8/2012 Obata ..... D13/103  
D724,013 S \* 3/2015 Zsolcsak et al. .... D13/103  
8,970,166 B2 \* 3/2015 Hoffman et al. .... 320/108  
2008/0119291 A1 \* 5/2008 Takamoto et al. .... 463/47  
2009/0229842 A1 \* 9/2009 Gray et al. .... 173/20  
2013/0037531 A1 \* 2/2013 Gray et al. .... 219/211  
2013/0221923 A1 \* 8/2013 Robertson ..... 320/112  
2015/0190720 A1 \* 7/2015 Buller ..... 463/47

“DJI Phantom 2 Vision Battery Spare Lipo 11.1V 5200MAH RC  
Lithium” Retrieved Oct. 20, 2015. RCtoystore.com. <http://www.rcdrohnebattery.com/product/tera-2pcs-1600mah-11-1v-high-capacity-upgrade-rechargeable-battery-pack-replacement-for-parrot-bebop-drone-3-0-color-black/>.\*

\* cited by examiner

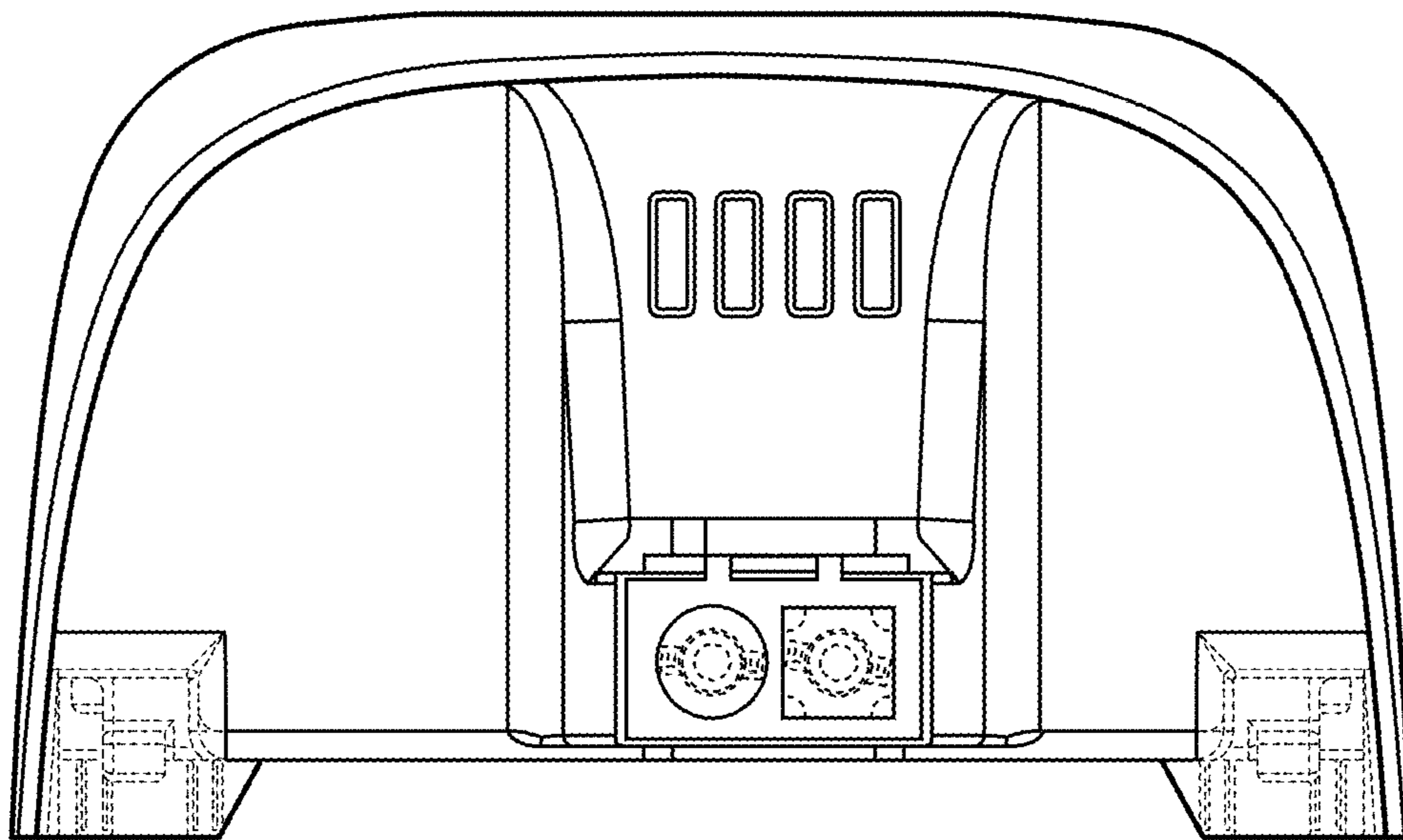


FIG. 1

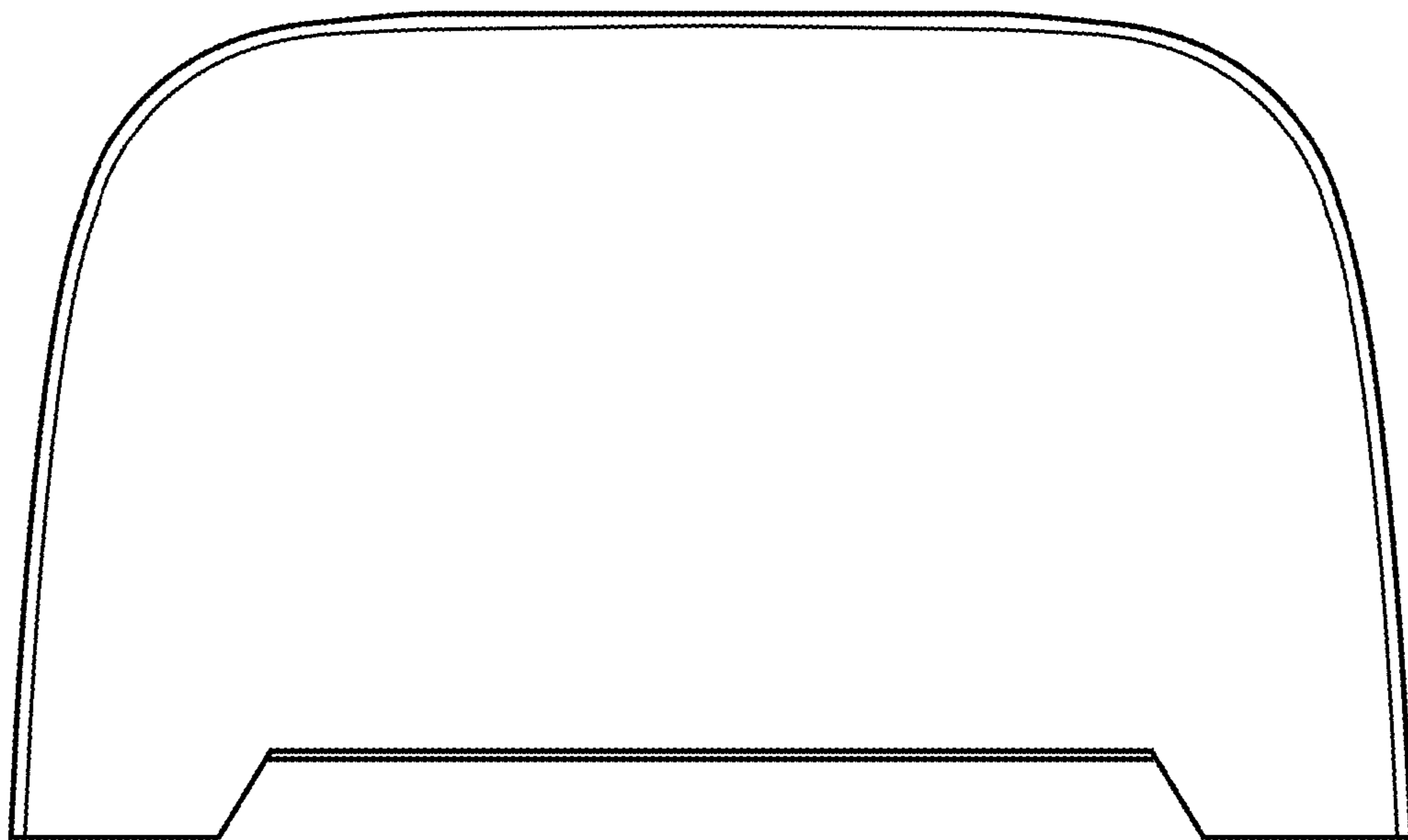


FIG. 2

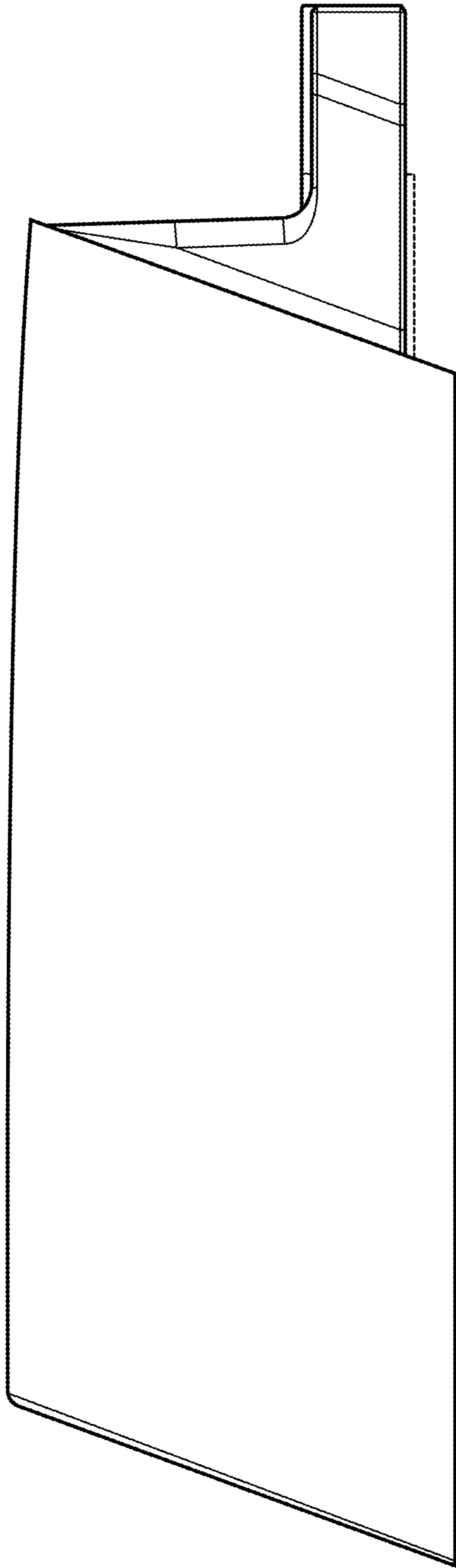


FIG. 3

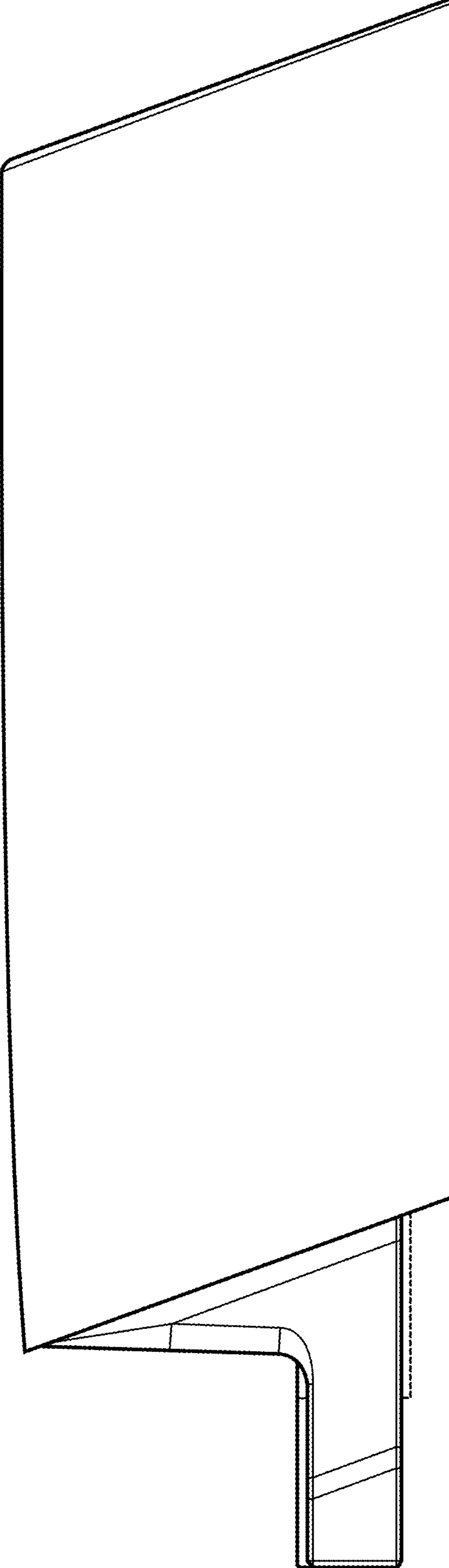


FIG. 4

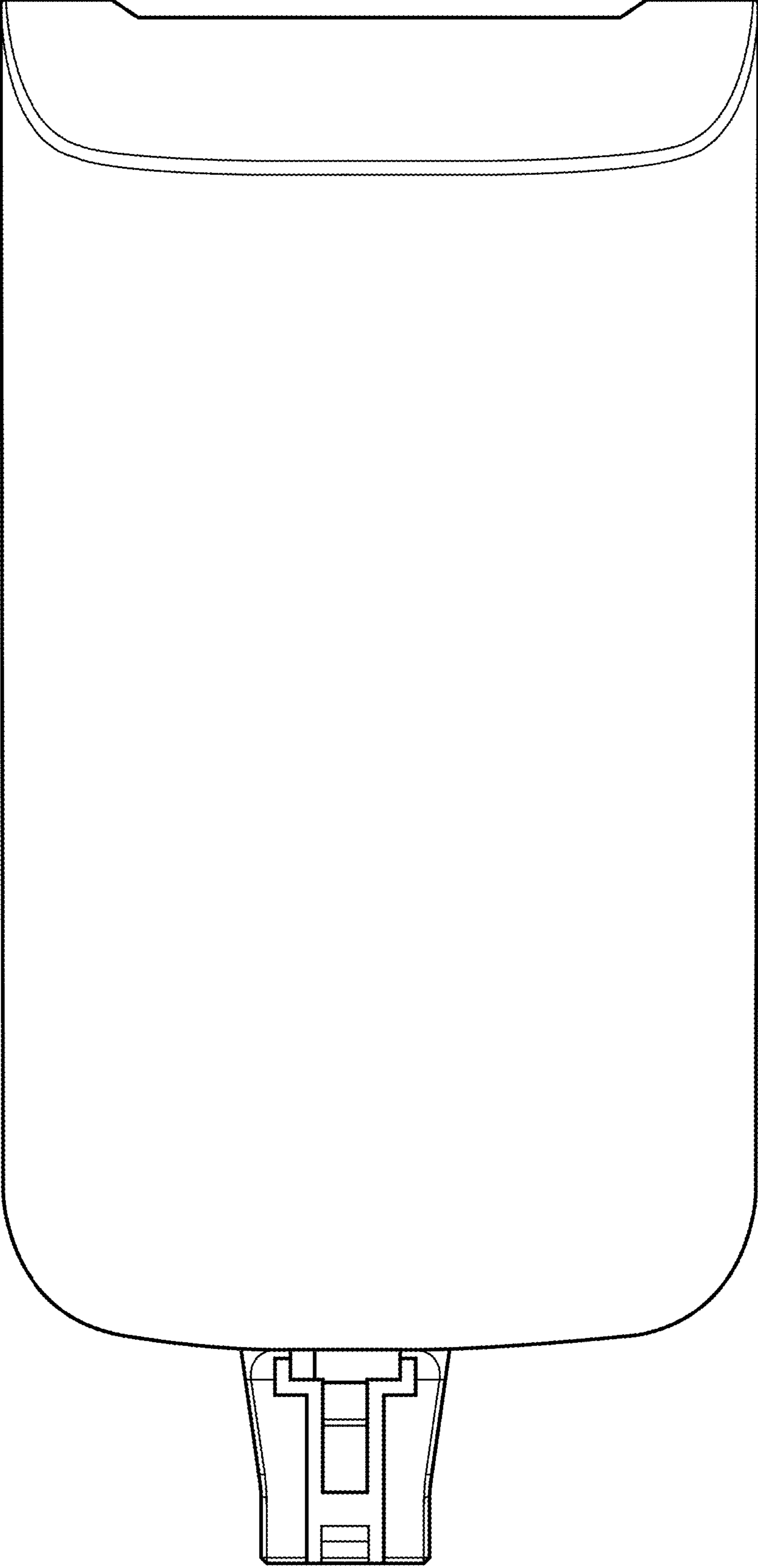


FIG. 5

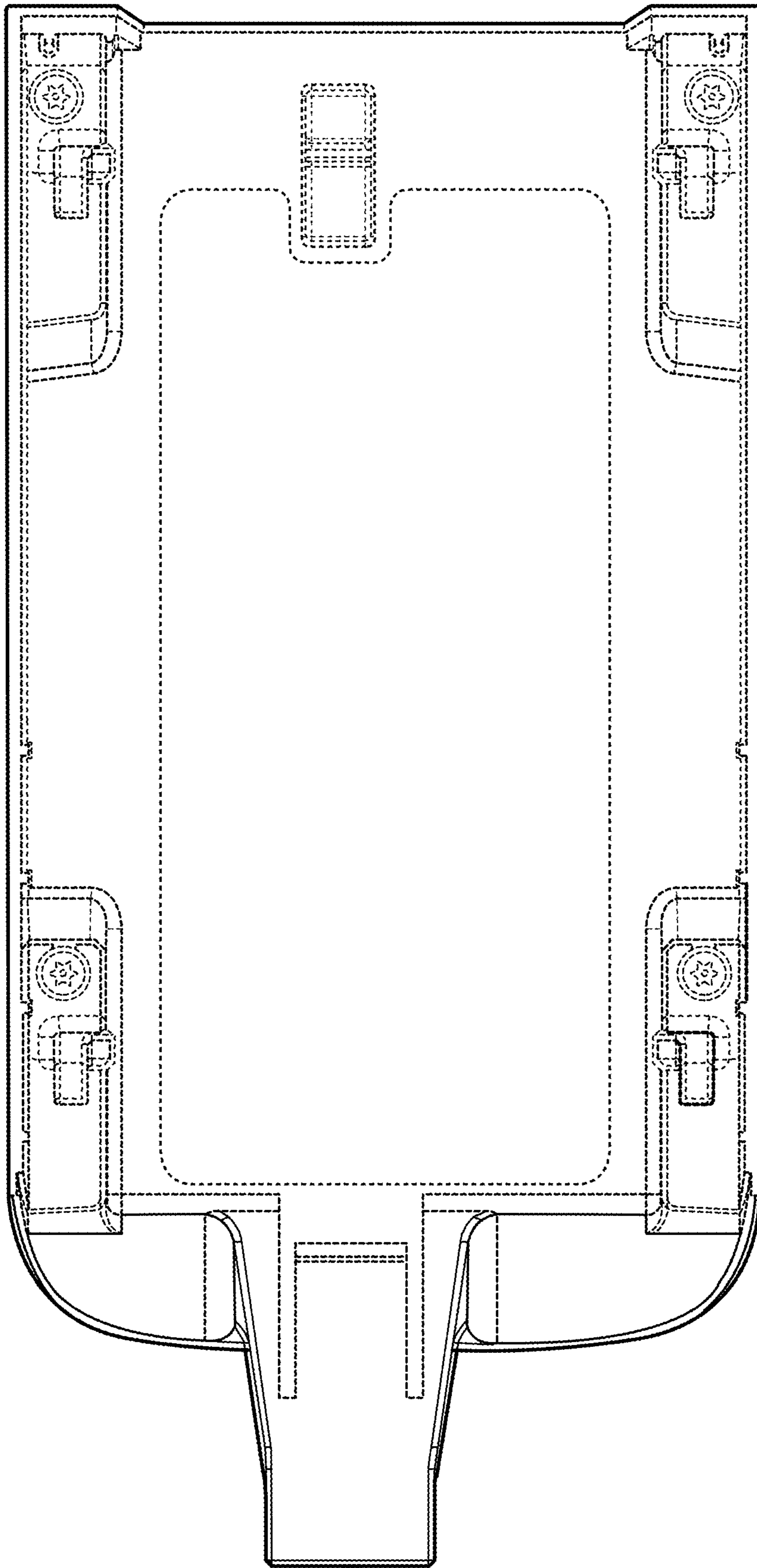


FIG. 6



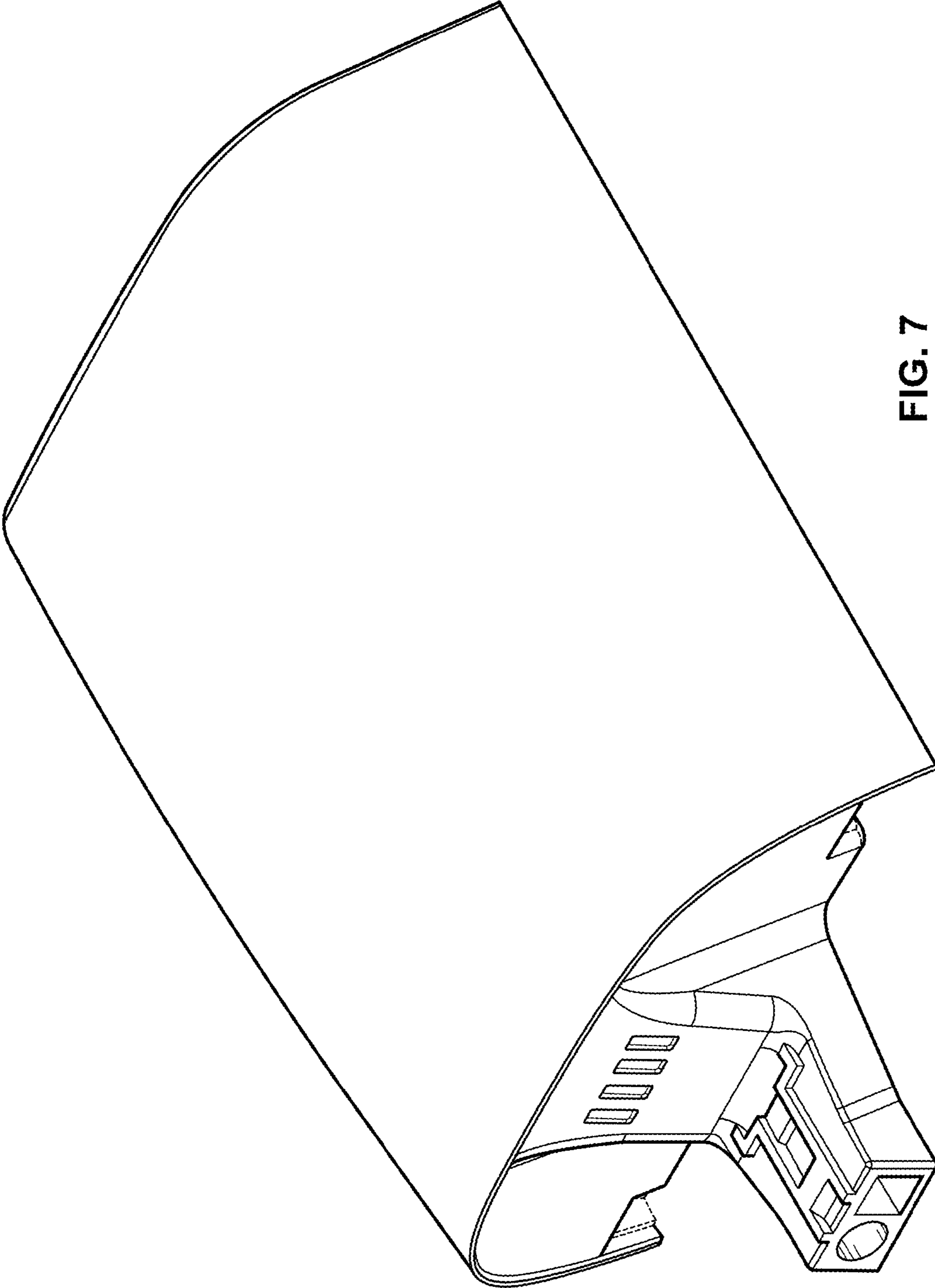


FIG. 7