



US00D768566S

(12) **United States Design Patent** (10) **Patent No.:** **US D768,566 S**
Andre et al. (45) **Date of Patent:** **** Oct. 11, 2016**

(54) **BATTERY**
(71) Applicant: **Apple Inc.**, Cupertino, CA (US)
(72) Inventors: **Bartley K. Andre**, Palo Alto, CA (US);
Matthew Phillip Casebolt, Fremont, CA (US); **Ron Alan Hopkinson**,
Campbell, CA (US); **Eric Knopf**,
Mountain View, CA (US); **Mikael
Silvanto**, San Francisco, CA (US); **Eric
Joel Weirshauser**, San Jose, CA (US)

D658,583 S * 5/2012 Andre et al. D13/119
D669,849 S * 10/2012 Morisawa D13/103
D669,850 S * 10/2012 Morisawa D13/103
D670,240 S * 11/2012 Morisawa D13/103
D672,713 S * 12/2012 Masui D13/103
D678,184 S * 3/2013 Banko et al. D13/103
8,399,117 B2 * 3/2013 Hu et al. 429/96

FOREIGN PATENT DOCUMENTS

JP D1386496 5/2010

OTHER PUBLICATIONS

App. of Bartley K. Andre with U.S. Appl. No. 29/424,264, filed Jun. 9, 2012, entitled "Battery," as amended Dec. 11, 2012.
App of Bartley K. Andre with U.S. Appl. No. 29/435,191, filed Oct. 20, 2012, entitled "Electronic Device."

* cited by examiner

Primary Examiner — Rosemary K Tarcza
(74) *Attorney, Agent, or Firm* — Saidman DesignLaw Group, LLC

(73) Assignee: **Apple Inc.**, Cupertino, CA (US)
(**) Term: **14 Years**
(21) Appl. No.: **29/435,192**
(22) Filed: **Oct. 20, 2012**
(51) **LOC (10) Cl.** **13-02**
(52) **U.S. Cl.**
USPC **D13/103**
(58) **Field of Classification Search**
USPC D13/102–104, 107–108, 110, 118–121,
D13/184, 199; 429/96–100, 163, 176
See application file for complete search history.

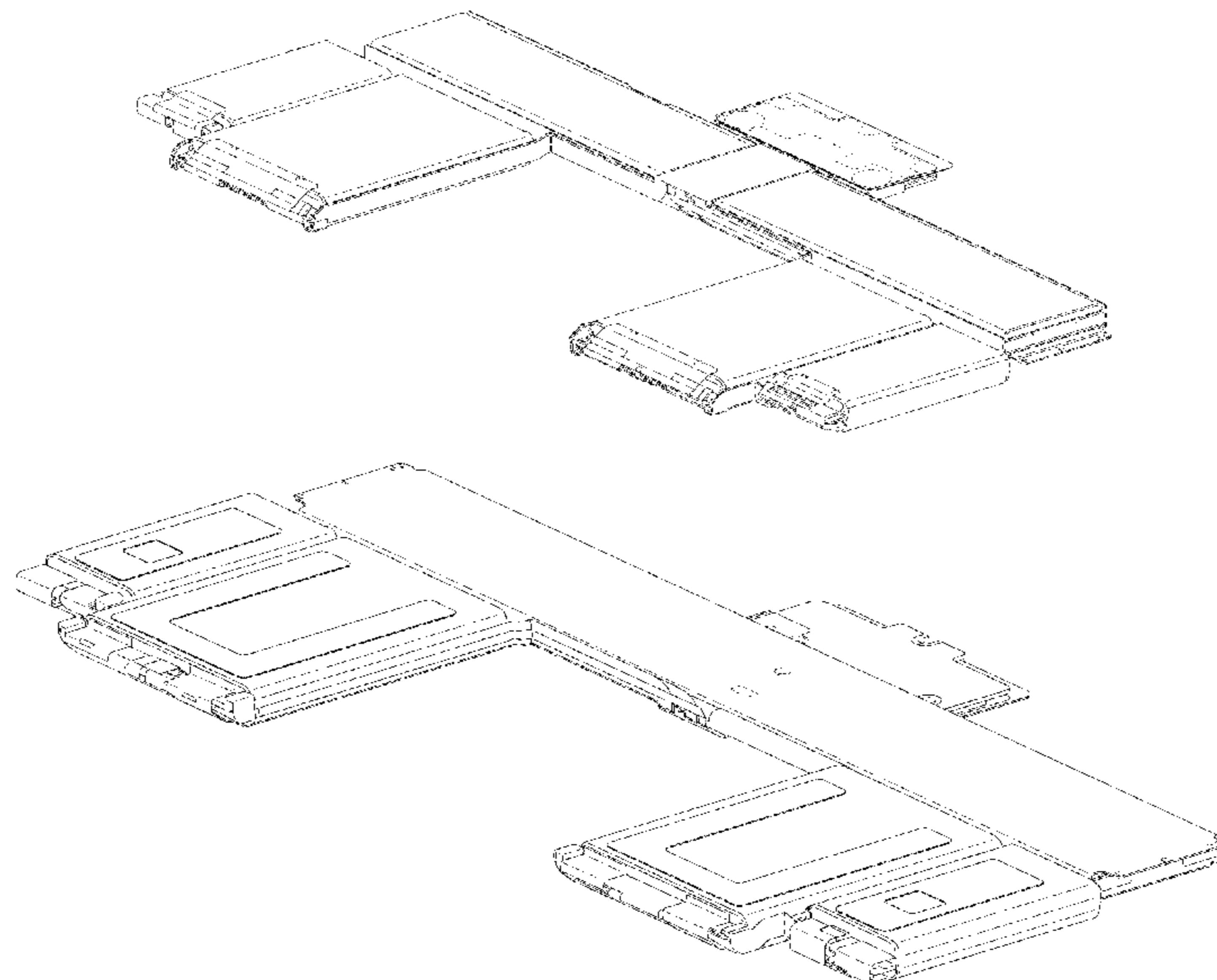
(57) **CLAIM**
The ornamental design for a battery, as shown and described.

DESCRIPTION

FIG. 1 is a perspective view of a battery showing our new design;
FIG. 2 is another perspective view thereof;
FIG. 3 is a top view thereof;
FIG. 4 is a bottom view thereof;
FIG. 5 is a front view thereof;
FIG. 6 is a rear view thereof;
FIG. 7 is a left side view thereof; and,
FIG. 8 is a right side view thereof.
The dashed broken lines represent portions of the battery which form no part of the claimed design.

1 Claim, 6 Drawing Sheets

(56) **References Cited**
U.S. PATENT DOCUMENTS
D332,442 S 1/1993 Simpson, Sr.
D439,218 S * 3/2001 Yu D13/103
6,284,406 B1 9/2001 Xing et al.
6,542,358 B1 4/2003 Kunz et al.
6,884,540 B2 4/2005 Chikada
D532,363 S 11/2006 Morisawa
7,648,538 B2 * 1/2010 Oogami et al. 29/623.4
D634,705 S * 3/2011 Yip et al. D13/103
D635,506 S * 4/2011 Morisawa D13/103
D637,157 S * 5/2011 Andre et al. D13/119
D655,673 S * 3/2012 Masui D13/103
8,130,492 B2 3/2012 Tsukazawa



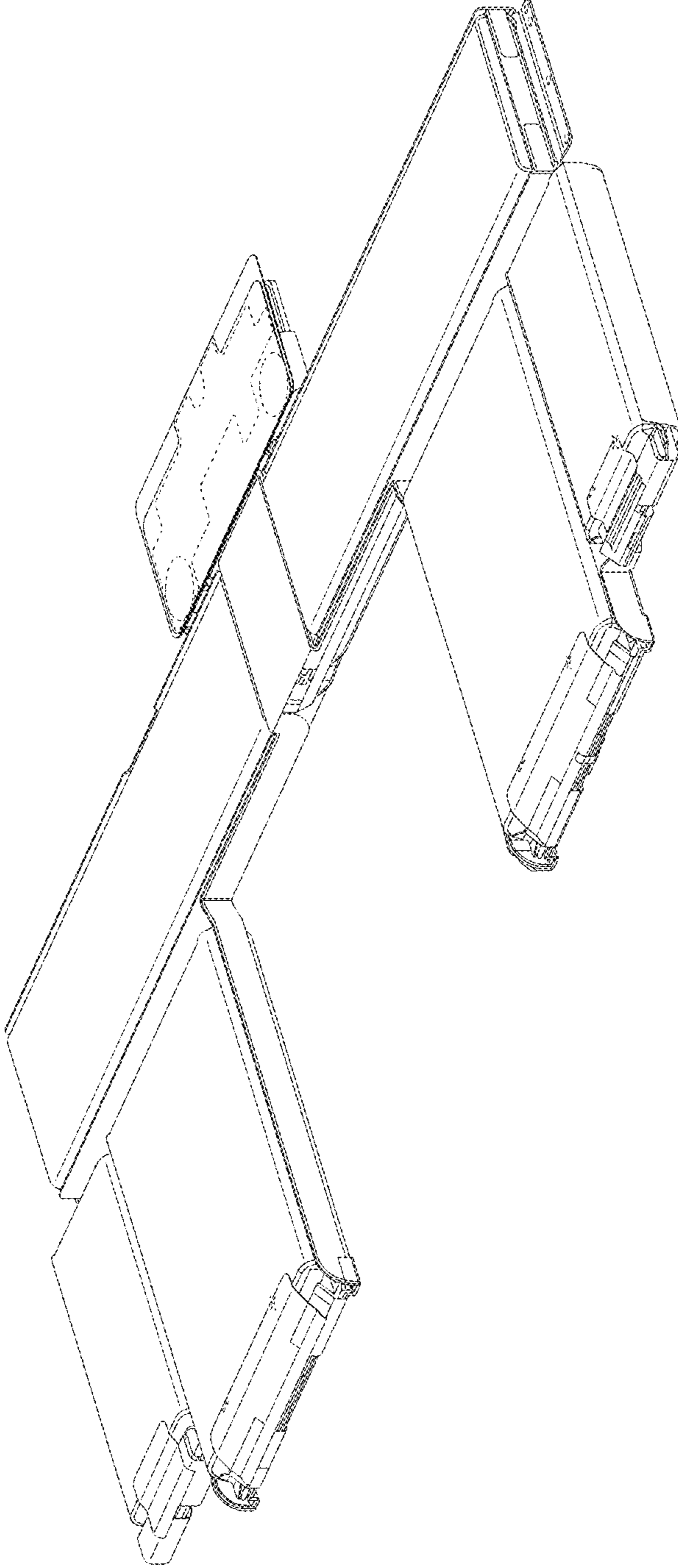


Fig. 1

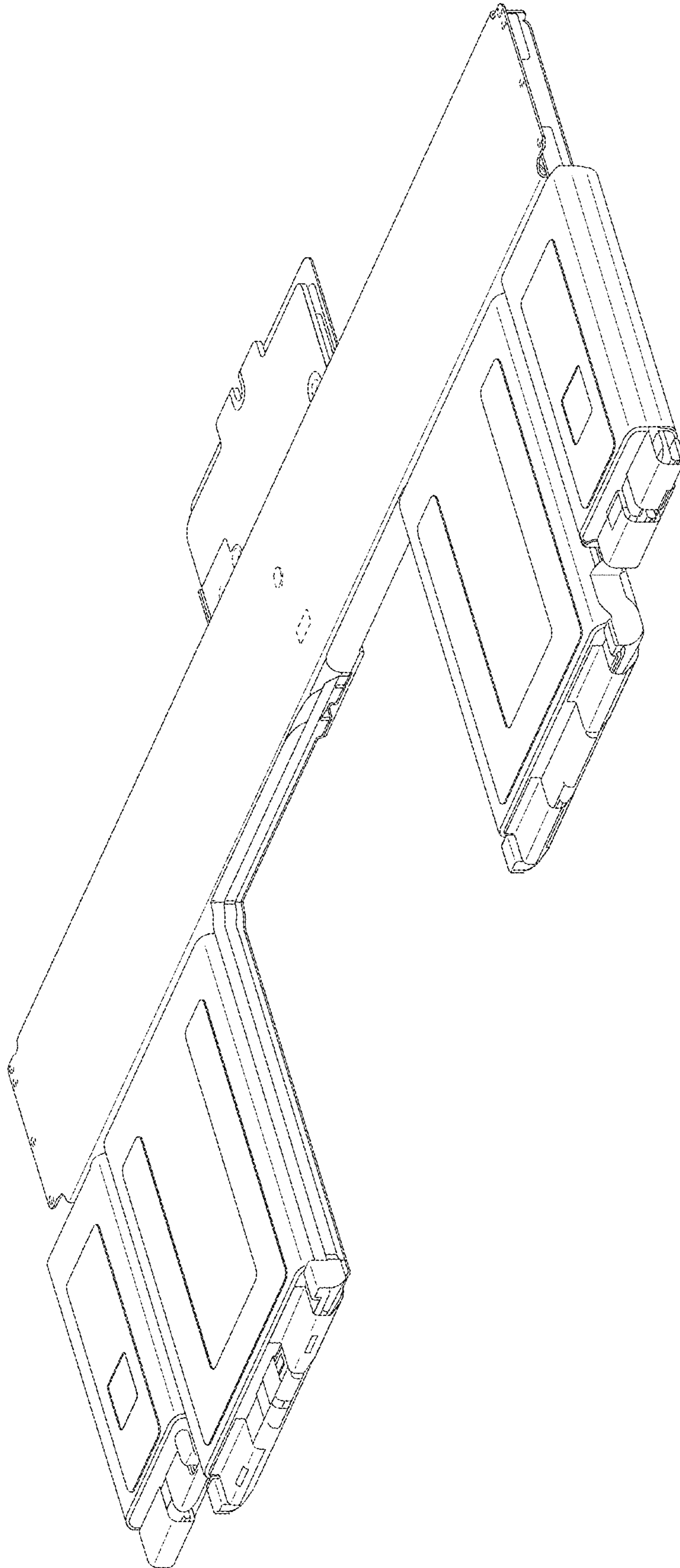


Fig. 2

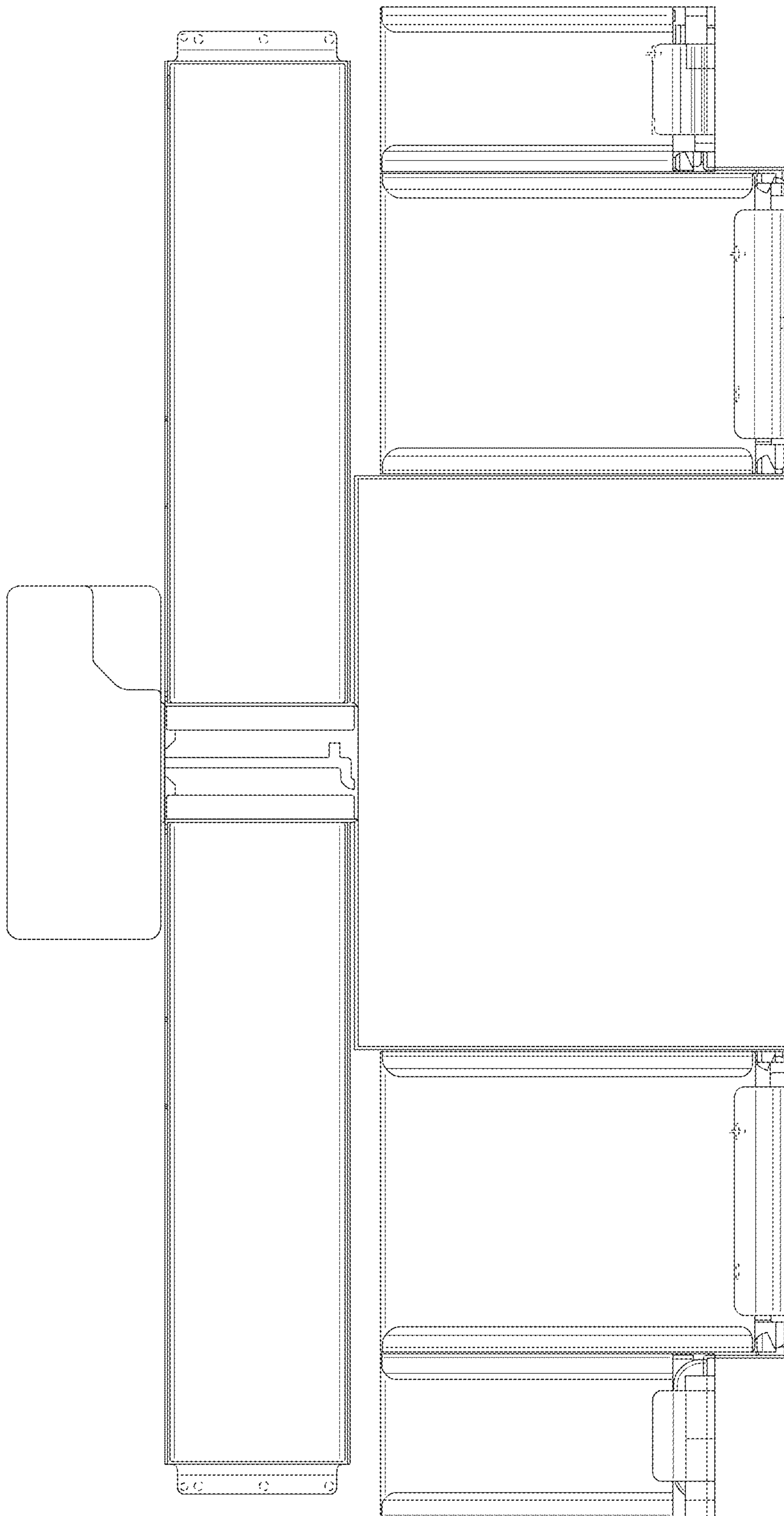


Fig. 3

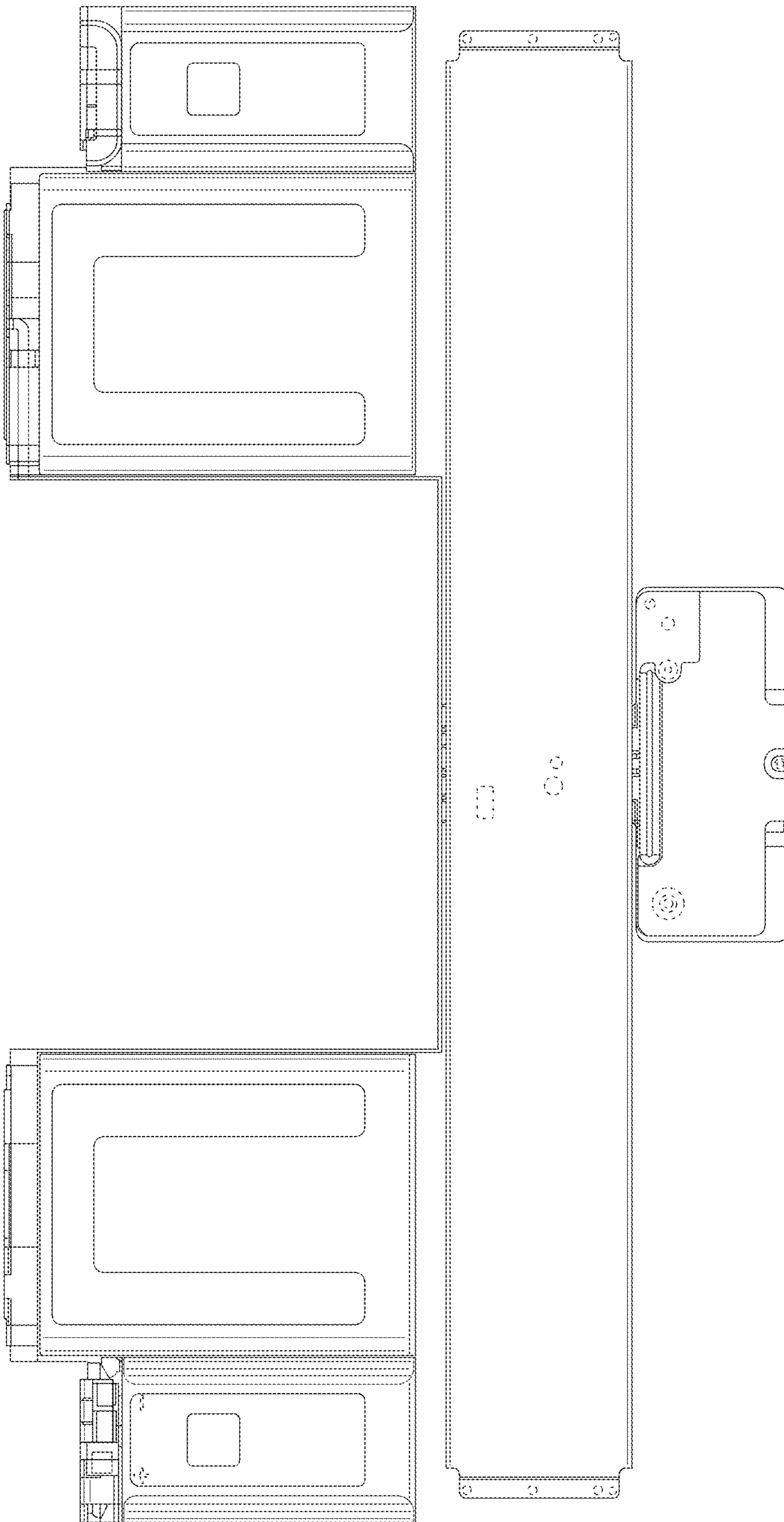


Fig. 4

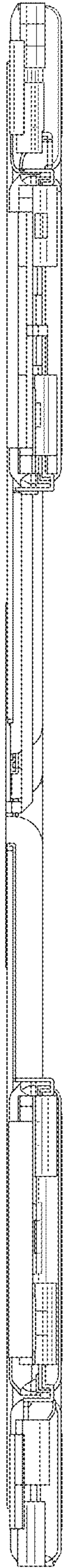


Fig. 5

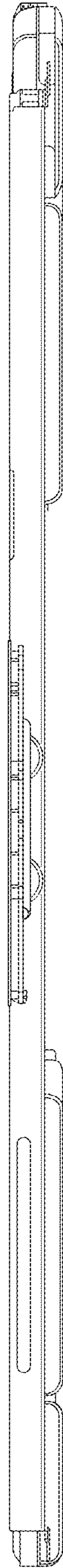


Fig. 6

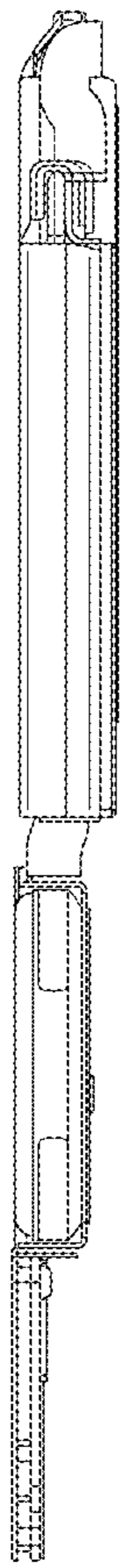


Fig. 7

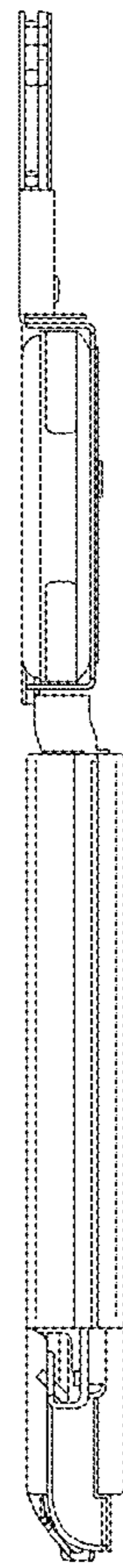


Fig. 8