



US00D768556S

(12) **United States Design Patent** (10) **Patent No.:** **US D768,556 S**
McFadden et al. (45) **Date of Patent:** **** Oct. 11, 2016**

(54) **BAR FOR VEHICLE RACK**
(71) Applicant: **Yakima Products, Inc.**, Beaverton, OR (US)
(72) Inventors: **Scott McFadden**, Portland, OR (US); **Juan H. Cagampang**, Portland, OR (US)
(73) Assignee: **Yakima Products, Inc.**, Lake Oswego, OR (US)
(**) Term: **15 Years**

(21) Appl. No.: **29/529,685**
(22) Filed: **Jun. 9, 2015**
(51) **LOC (10) Cl.** **12-16**
(52) **U.S. Cl.**
USPC **D12/414**
(58) **Field of Classification Search**
USPC D12/414, 406; D32/35, 58;
D6/317-319, 513-514
CPC B60P 9/00; B60P 3/40
See application file for complete search history.

(56) **References Cited**
U.S. PATENT DOCUMENTS
D319,810 S * 9/1991 Stapleton D12/412
D457,123 S * 5/2002 Sin D12/412
D577,327 S * 9/2008 Jung D12/412
D627,704 S * 11/2010 Bucher D12/412

D746,761 S * 1/2016 Cagampang D12/414
2007/0164065 A1 * 7/2007 Davis B60R 9/10
224/324
2012/0241486 A1 * 9/2012 Shen B60R 9/058
224/321

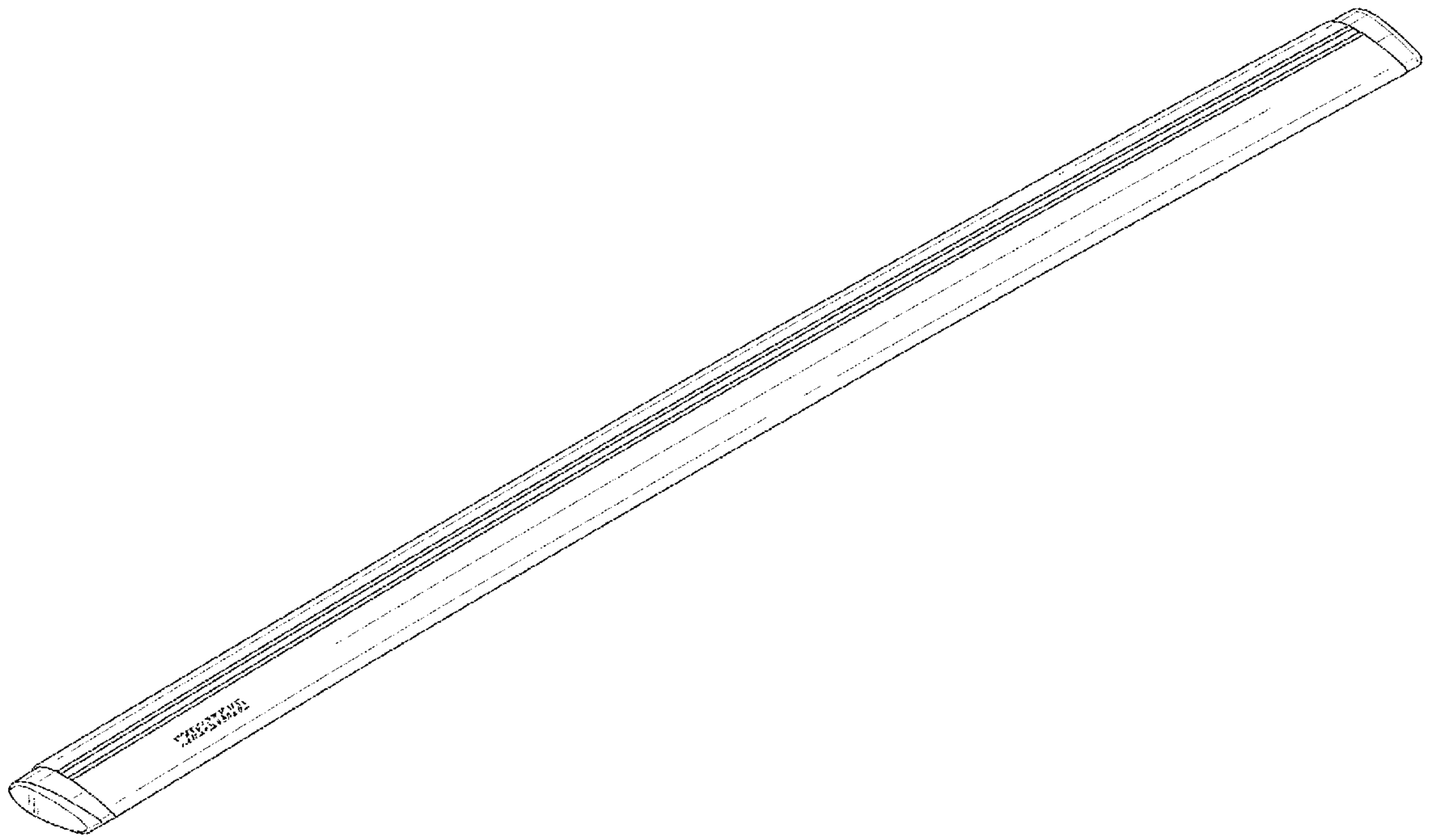
* cited by examiner
Primary Examiner — Katrina A Betton
(74) *Attorney, Agent, or Firm* — Kolisch Hartwell, P.C.

(57) **CLAIM**
The ornamental design for a bar for vehicle rack, as shown and described.

DESCRIPTION

FIG. 1 is an top, rear, and left-side perspective view of a bar for vehicle rack showing the new design;
FIG. 2 is a bottom, rear, and left-side perspective view thereof;
FIG. 3 is a top view thereof;
FIG. 4 is a bottom view thereof;
FIG. 5 is a front view thereof;
FIG. 6 is a rear view thereof;
FIG. 7 is an enlarged left side view thereof;
FIG. 8 is an enlarged right side view thereof;
FIG. 9 is a top, front, and right side perspective view of an alternative embodiment of a bar for vehicle rack showing the new design; and,
FIG. 10 is a top, front, and left-side perspective view thereof. The breaks in the drawing figures show no specific length. In the drawings, the broken lines depict portions of the article that form no part of the claimed design.

1 Claim, 7 Drawing Sheets



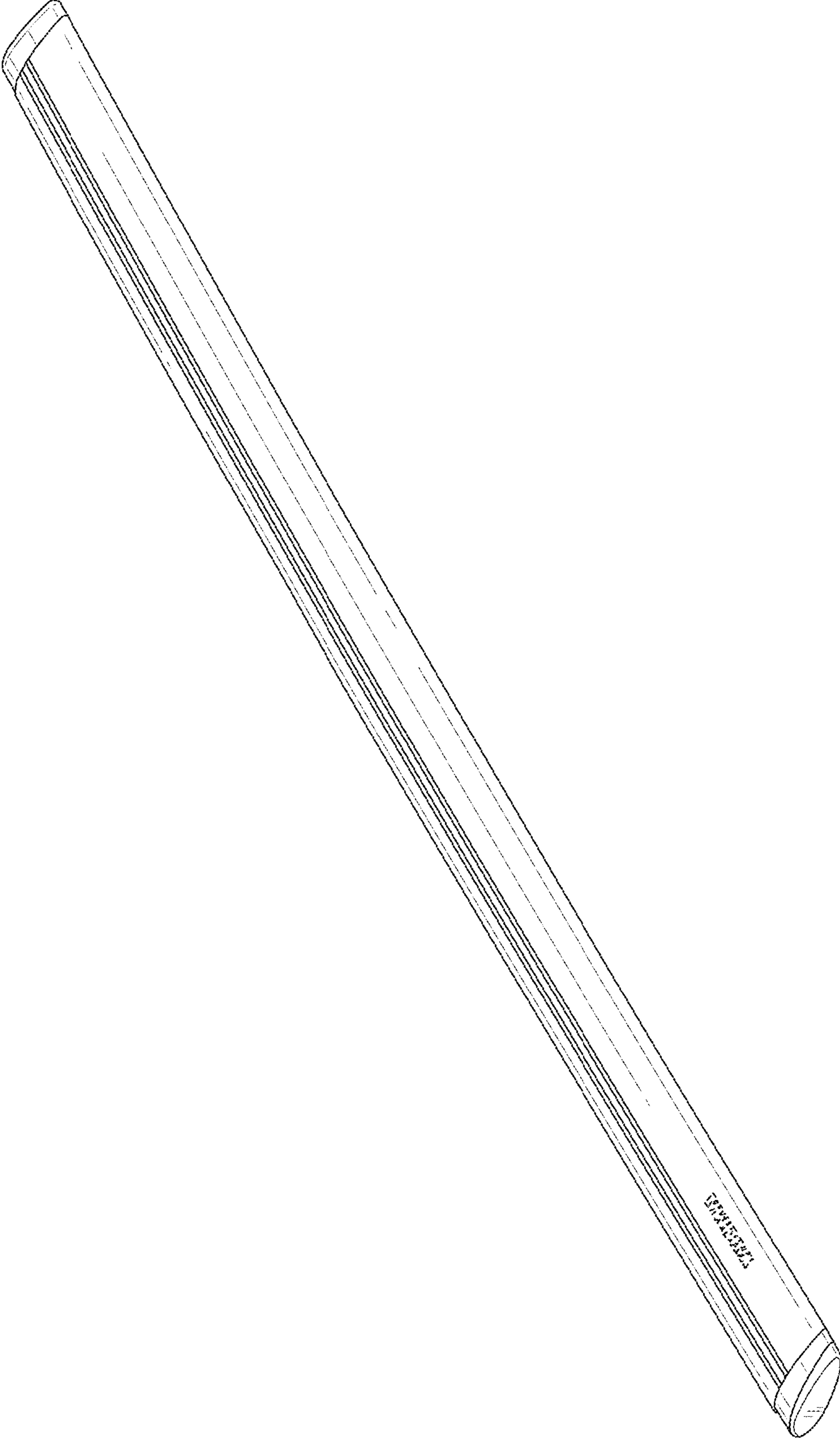


FIG. 1

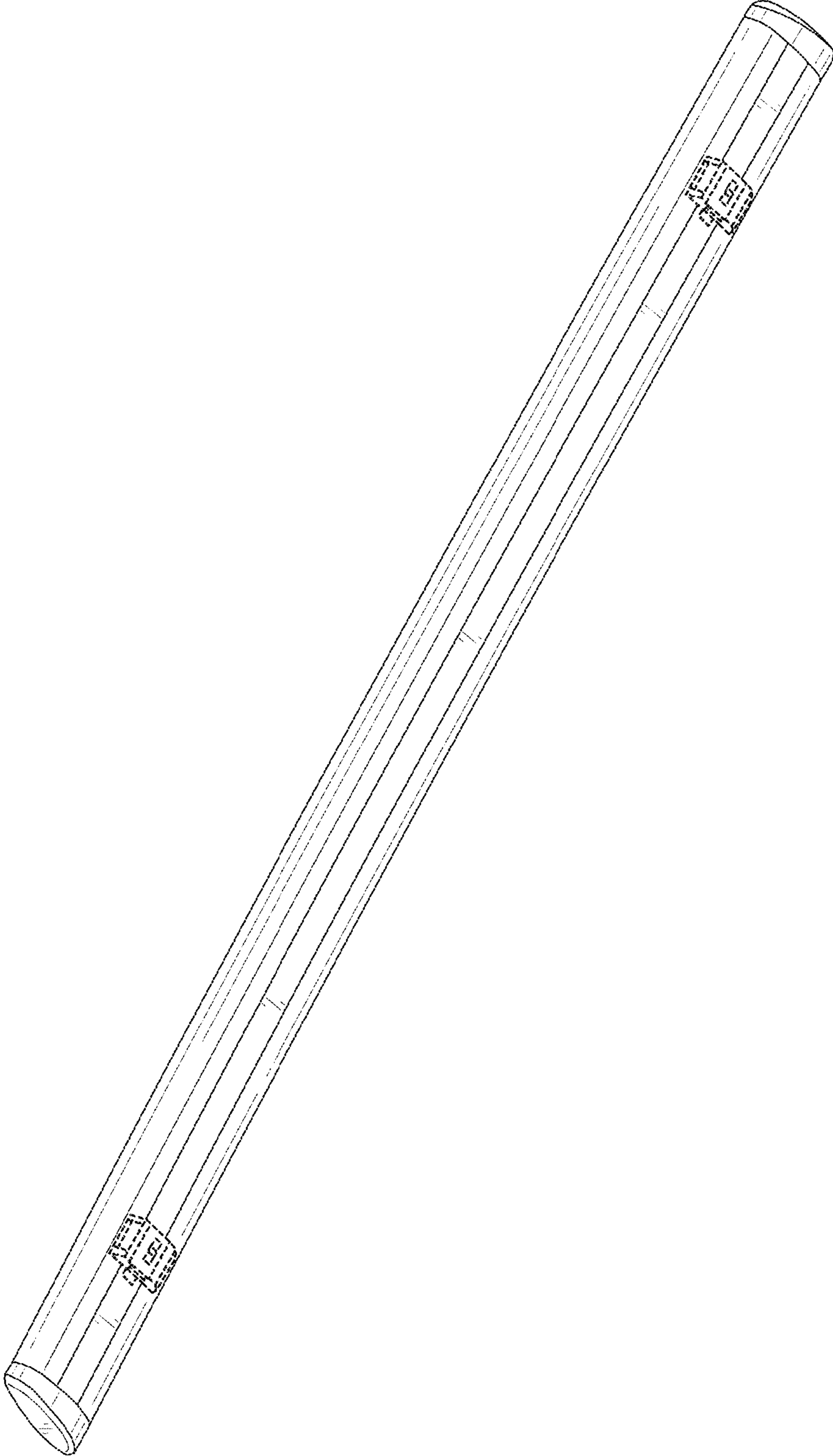


FIG. 2

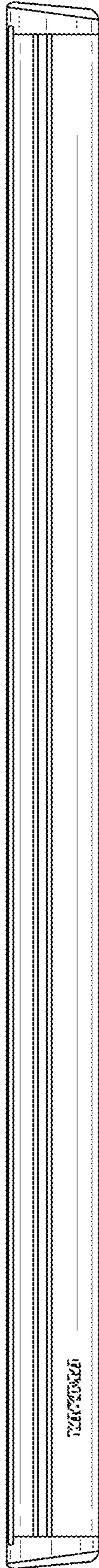


FIG. 3

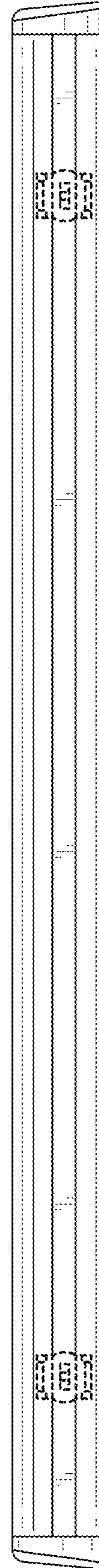


FIG. 4

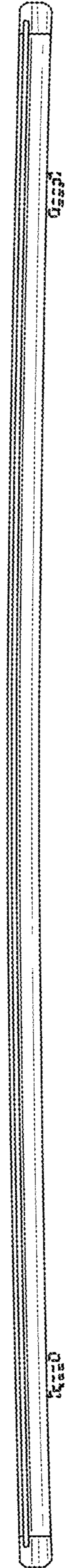


FIG. 5

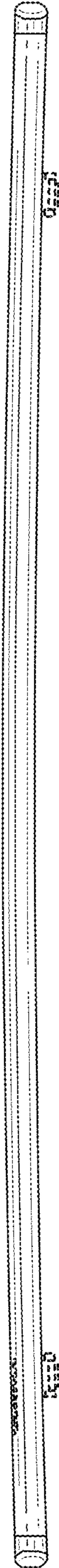


FIG. 6

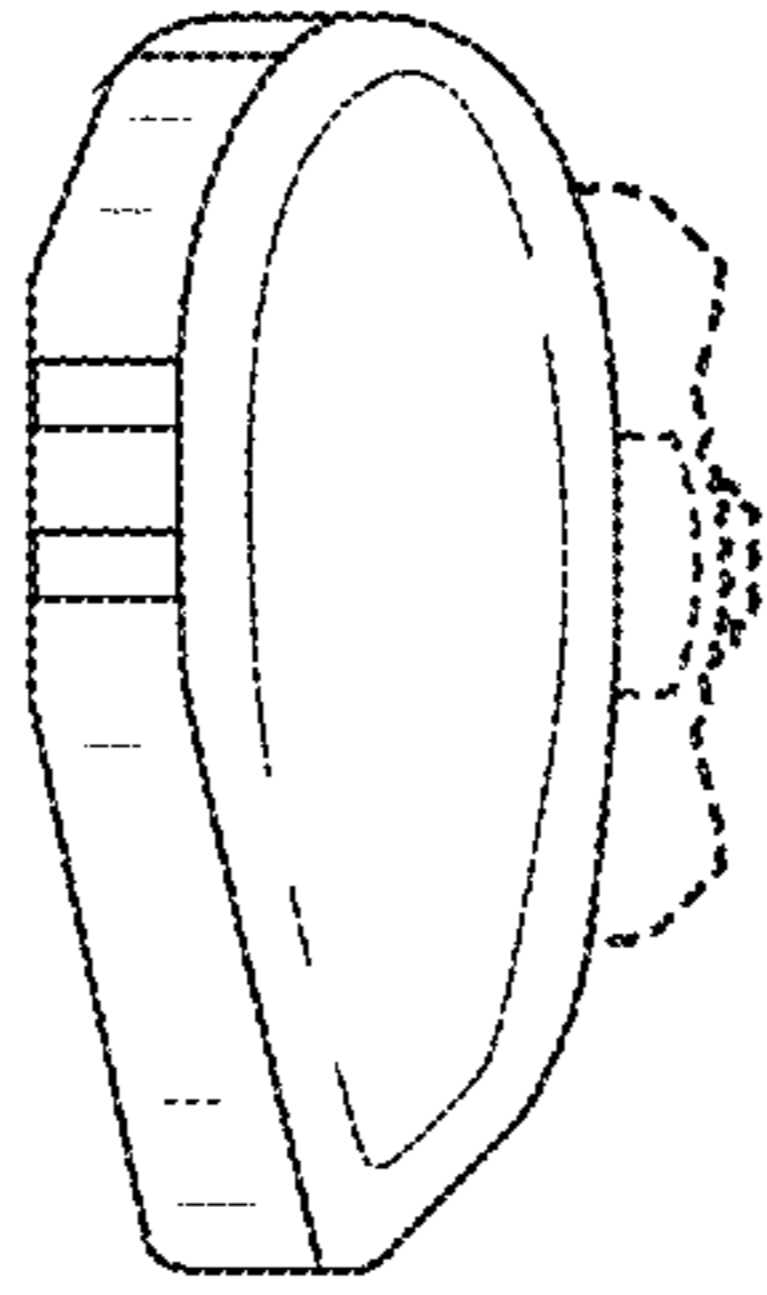


FIG. 8

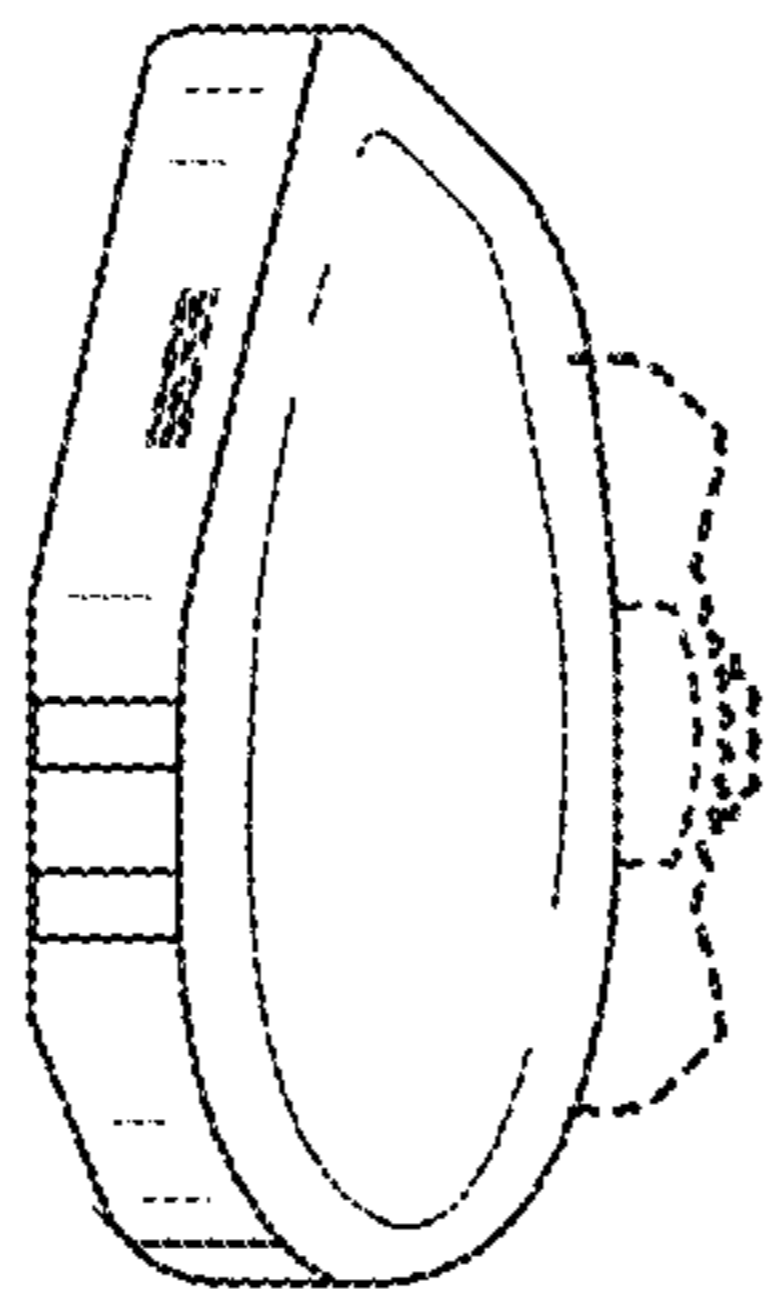


FIG. 7

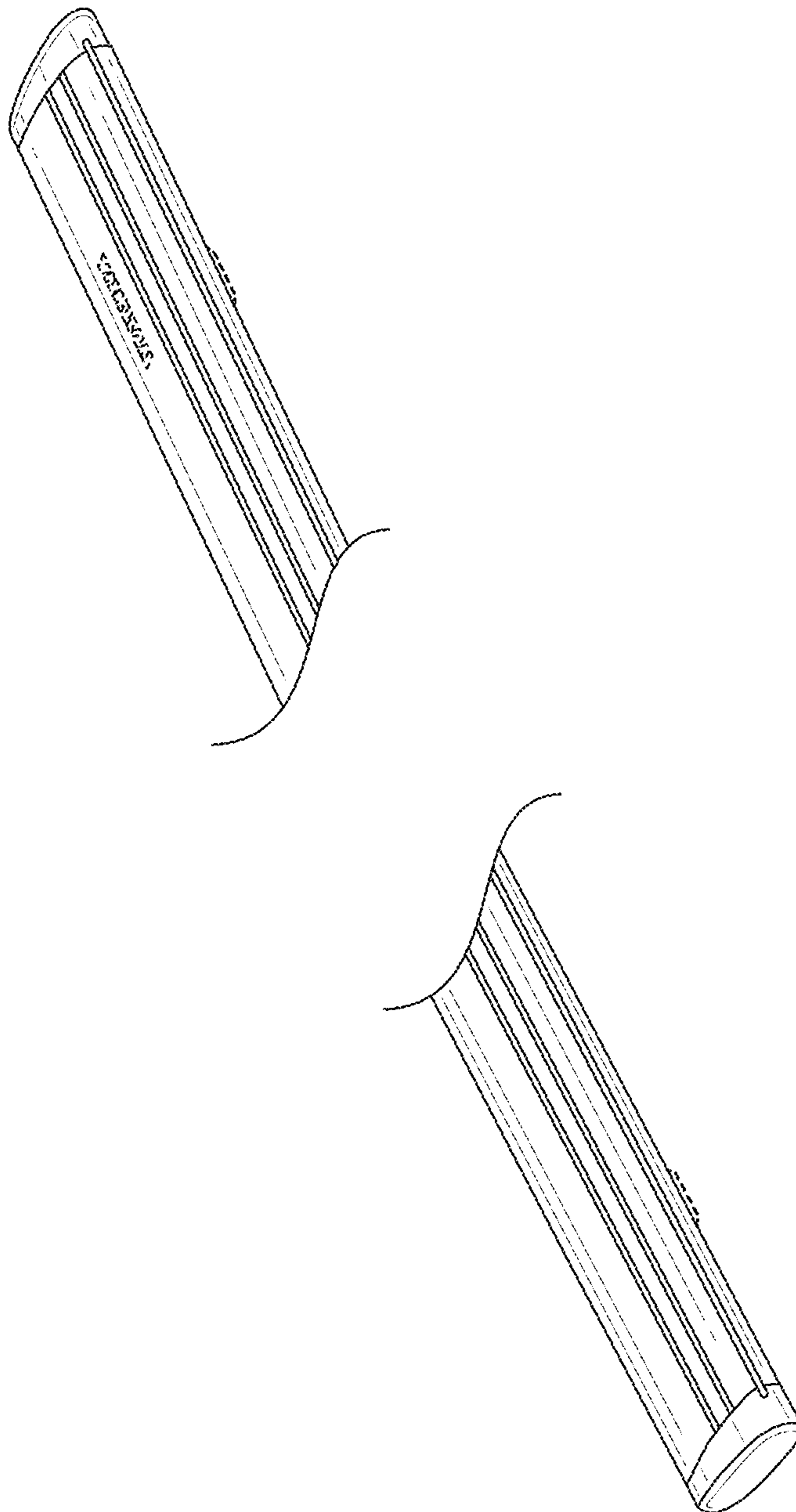


FIG. 9

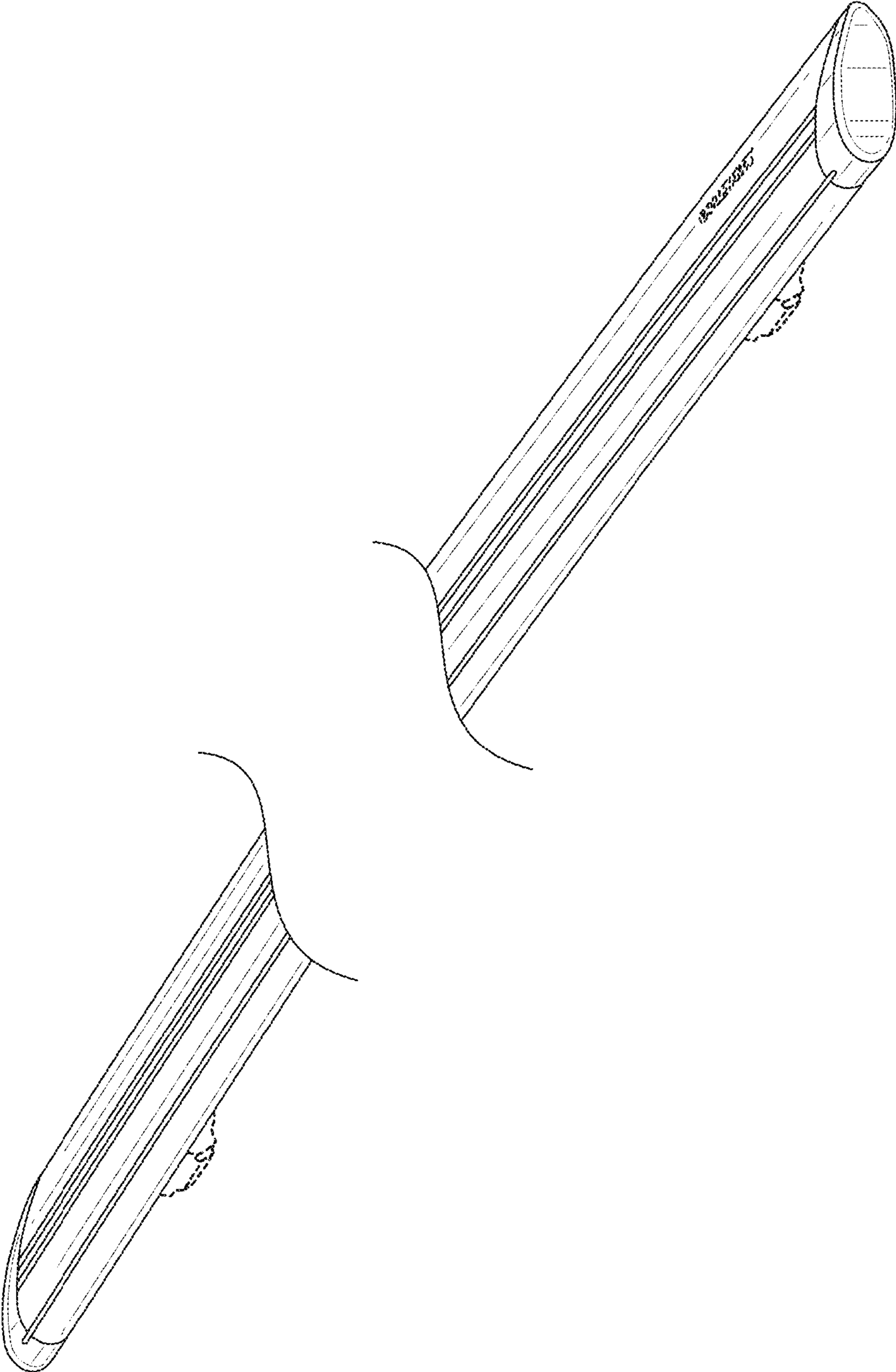


FIG. 10