



US00D768555S

(12) **United States Design Patent** (10) **Patent No.:** **US D768,555 S**  
**McWilliams** (45) **Date of Patent:** **\*\* Oct. 11, 2016**

(54) **TARPAULIN SUPPORT DEVICE**

FOREIGN PATENT DOCUMENTS

(71) Applicant: **Clifford O. McWilliams**, Owasso, OK (US)

DE 3812506 3/1988

(72) Inventor: **Clifford O. McWilliams**, Owasso, OK (US)

OTHER PUBLICATIONS

El Cheapo Tarp Bows, Feather Craft Forum; <http://729.activeboard.com/t37303339/el-cheapo-tarp-bows/>, Apr. 2014.

(\*\*) Term: **14 Years**

(Continued)

(21) Appl. No.: **29/525,076**

(22) Filed: **Apr. 27, 2015**

*Primary Examiner* — Katrina A Betton

(51) **LOC (10) Cl.** ..... **12-16**

(74) *Attorney, Agent, or Firm* — Head, Johnson & Kachigian, P.C.

(52) **U.S. Cl.**  
USPC ..... **D12/401**

(58) **Field of Classification Search**  
USPC ..... D12/401–405  
CPC ..... B60J 11/08; B60J 11/06; A47C 31/10  
See application file for complete search history.

(57) **CLAIM**

The ornamental design for a tarpaulin support device, as shown and described.

(56) **References Cited**

U.S. PATENT DOCUMENTS

2,322,424 A	6/1943	Deisley	
2,565,746 A	8/1951	Turner	
2,683,265 A	7/1954	Wayne	
2,955,874 A	10/1960	Brindley	
3,226,153 A	12/1965	Haid	
3,894,766 A	7/1975	Woodward	
4,248,475 A	2/1981	Johnsen	
5,102,182 A	4/1992	Haddad, Jr.	
5,288,123 A	2/1994	Dimmer	
5,429,408 A	7/1995	Henning et al.	
5,664,824 A	9/1997	Stephens et al.	
D413,560 S *	9/1999	Sambell	D12/181
6,139,085 A	10/2000	Templin et al.	
7,472,666 B1 *	1/2009	Richard	B63B 17/02 114/361
D679,771 S *	4/2013	Muggleton	D12/401
D761,713 S *	7/2016	Hensley	D12/222
2007/0035153 A1 *	2/2007	Henning	B60J 7/102 296/105
2008/0012378 A1 *	1/2008	LeBlanc	B62D 33/0222 296/43
2008/0290686 A1 *	11/2008	Royer	B60J 7/062 296/100.12

(Continued)

**DESCRIPTION**

FIG. 1 is perspective view of a plurality of the flexible tarpaulin support devices of the present invention in place on a semi-trailer;

FIG. 2 is a perspective view of a portion of the tarpaulin support device in place on a semi-trailer;

FIG. 3 is a front view of the tarpaulin support device in place on a semi-trailer, where the back view is identical;

FIG. 4 is a front view of the tarpaulin support device, where the back view is identical;

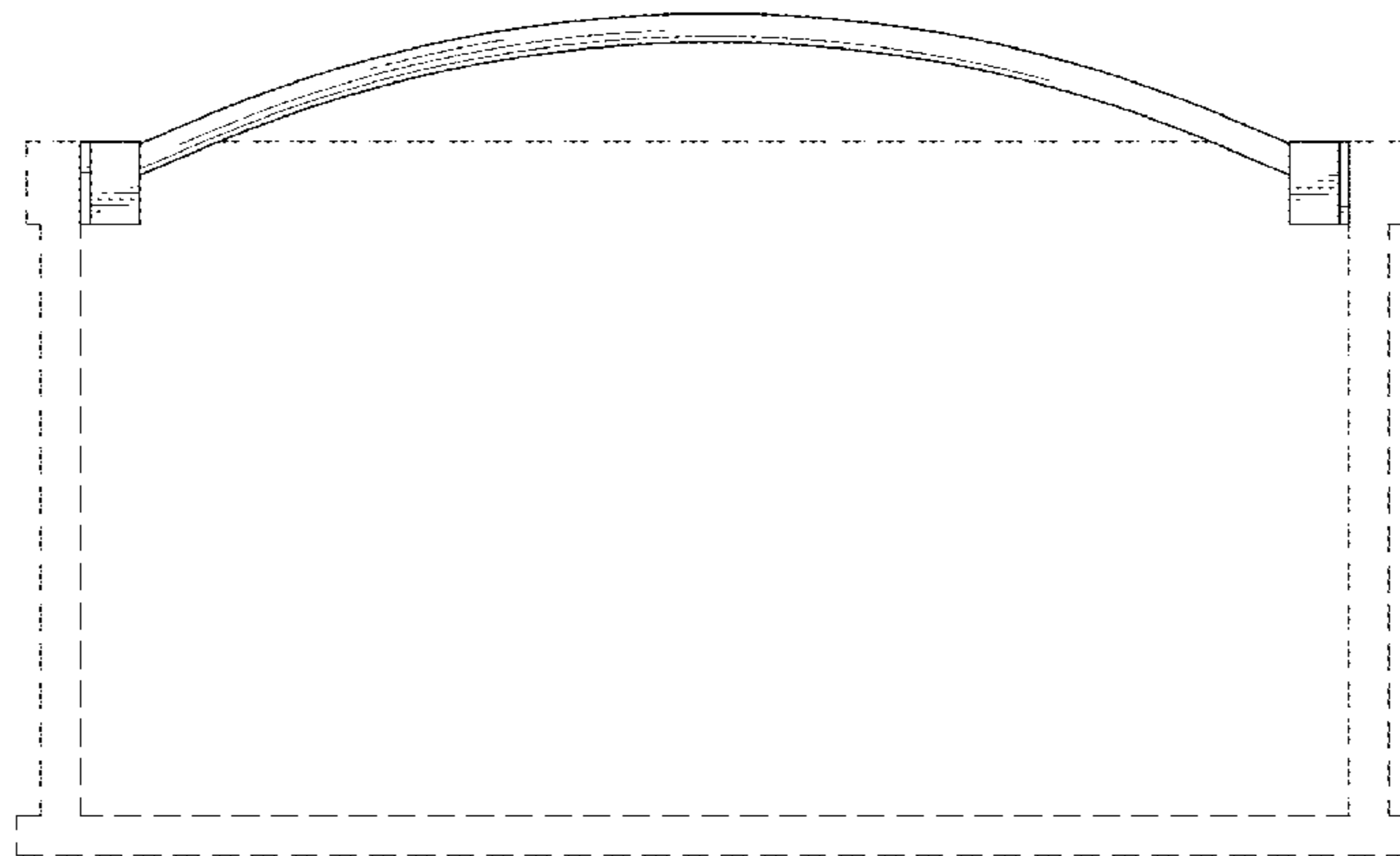
FIG. 5 is a top view of the tarpaulin support device;

FIG. 6 is a bottom view of the tarpaulin support device; and,

FIG. 7 is a right side view of the tarpaulin support device, where the left side view is identical.

The semi-trailer shown in broken lines in FIGS. 1 through 3 is for illustrative purposes only and forms no part of the claimed design. The broken lines in FIGS. 4 through 7 indicate indeterminate length.

**1 Claim, 5 Drawing Sheets**



(56)

**References Cited**

U.S. PATENT DOCUMENTS

2009/0121514 A1\* 5/2009 Rimmel ..... B60J 7/065  
296/100.12  
2010/0096874 A1\* 4/2010 LeBlanc ..... B62D 33/0207  
296/36  
2011/0254310 A1\* 10/2011 Royer ..... B60J 7/085  
296/100.14  
2012/0085380 A1 4/2012 Buckley

OTHER PUBLICATIONS

Covering the Tanzer 22 for the Winter using PVC Conduit and a tarp; [http://www.christinedemerchant.com/tanzer\\_winter-cover.html](http://www.christinedemerchant.com/tanzer_winter-cover.html); Apr. 2014.

Tarp Support Bows, Bantam Trailer Blog; <http://boyink.com/bantam/tarp-support-bows/>; Boyink, Apr. 2014.

\* cited by examiner

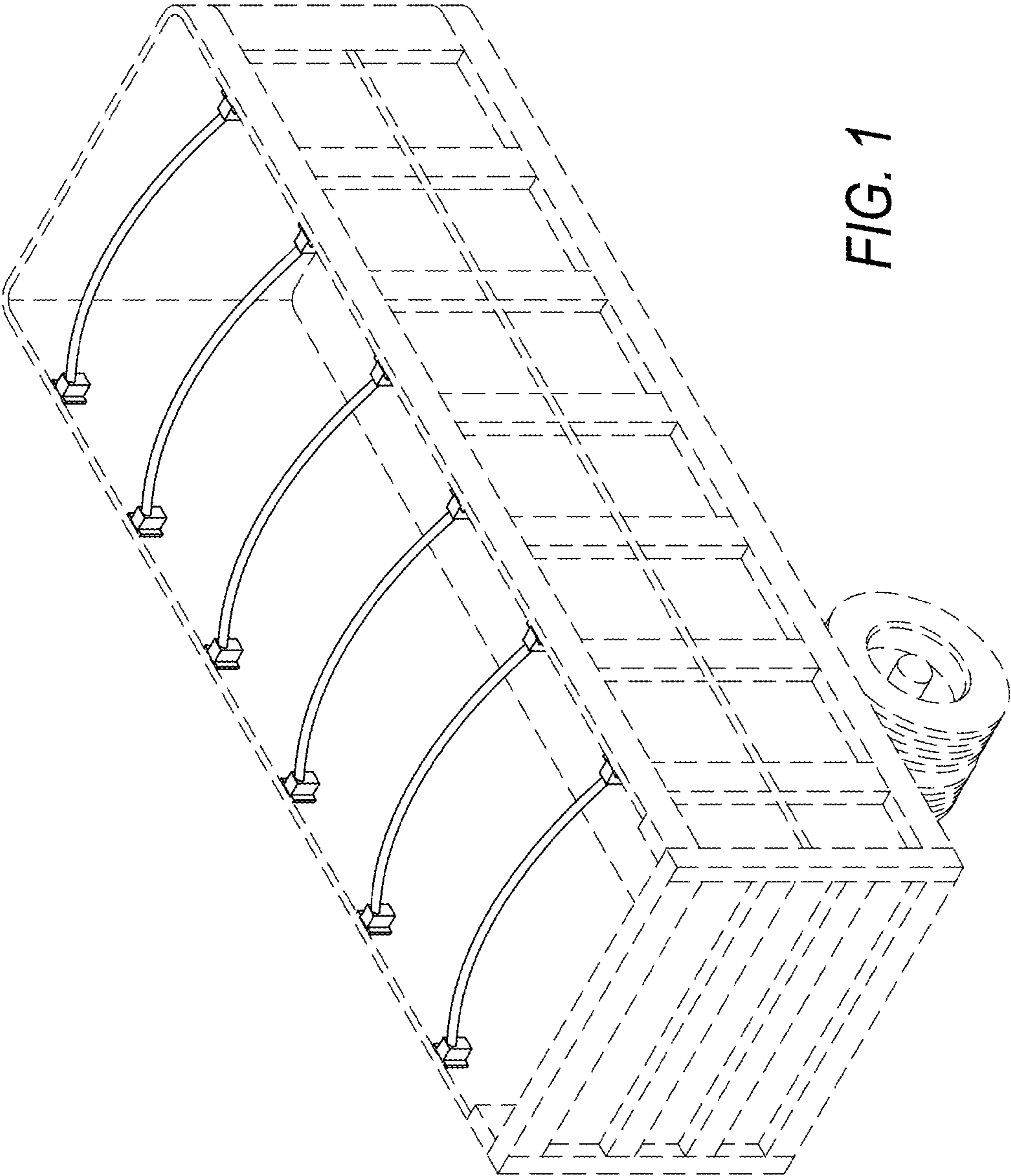


FIG. 1

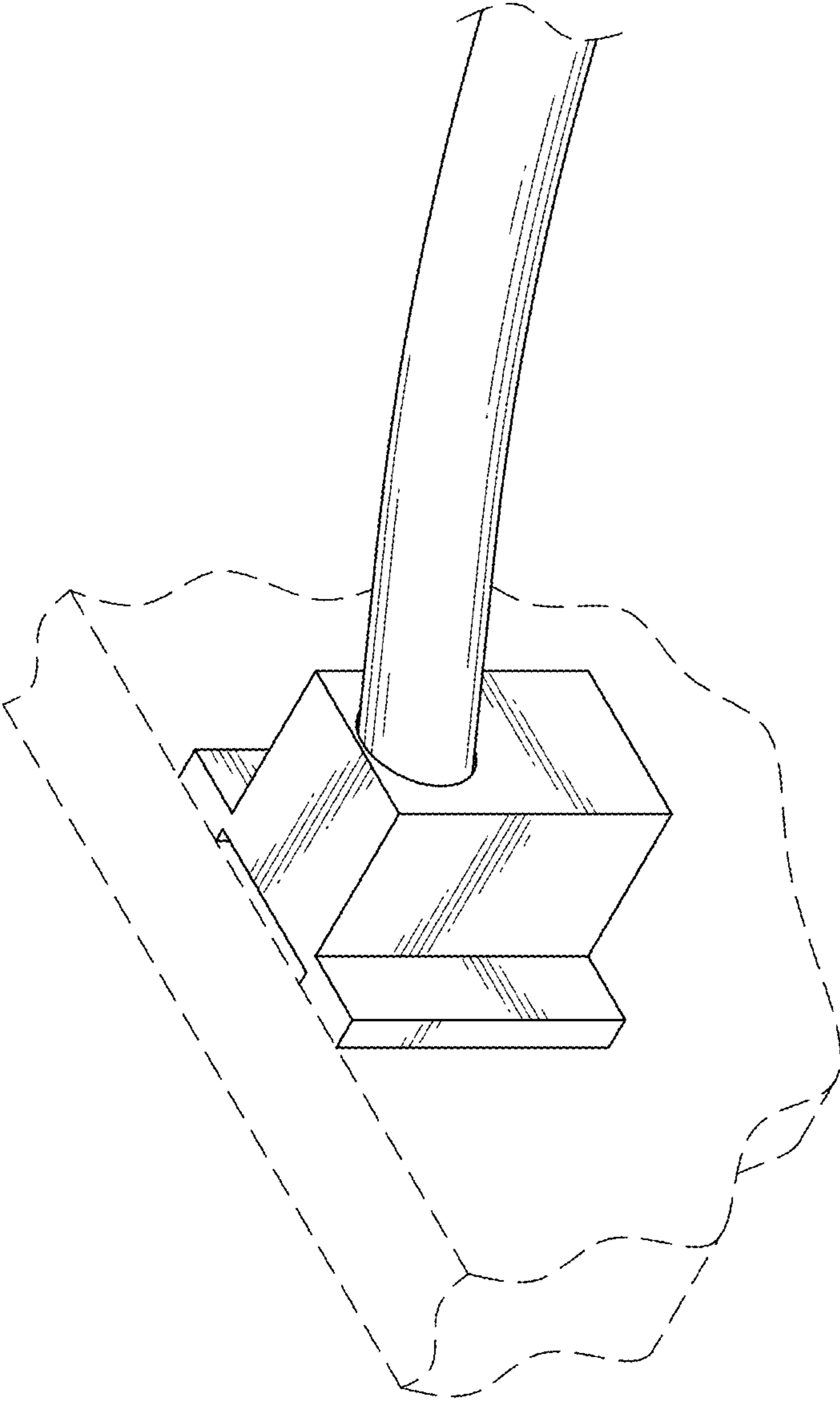


FIG. 2

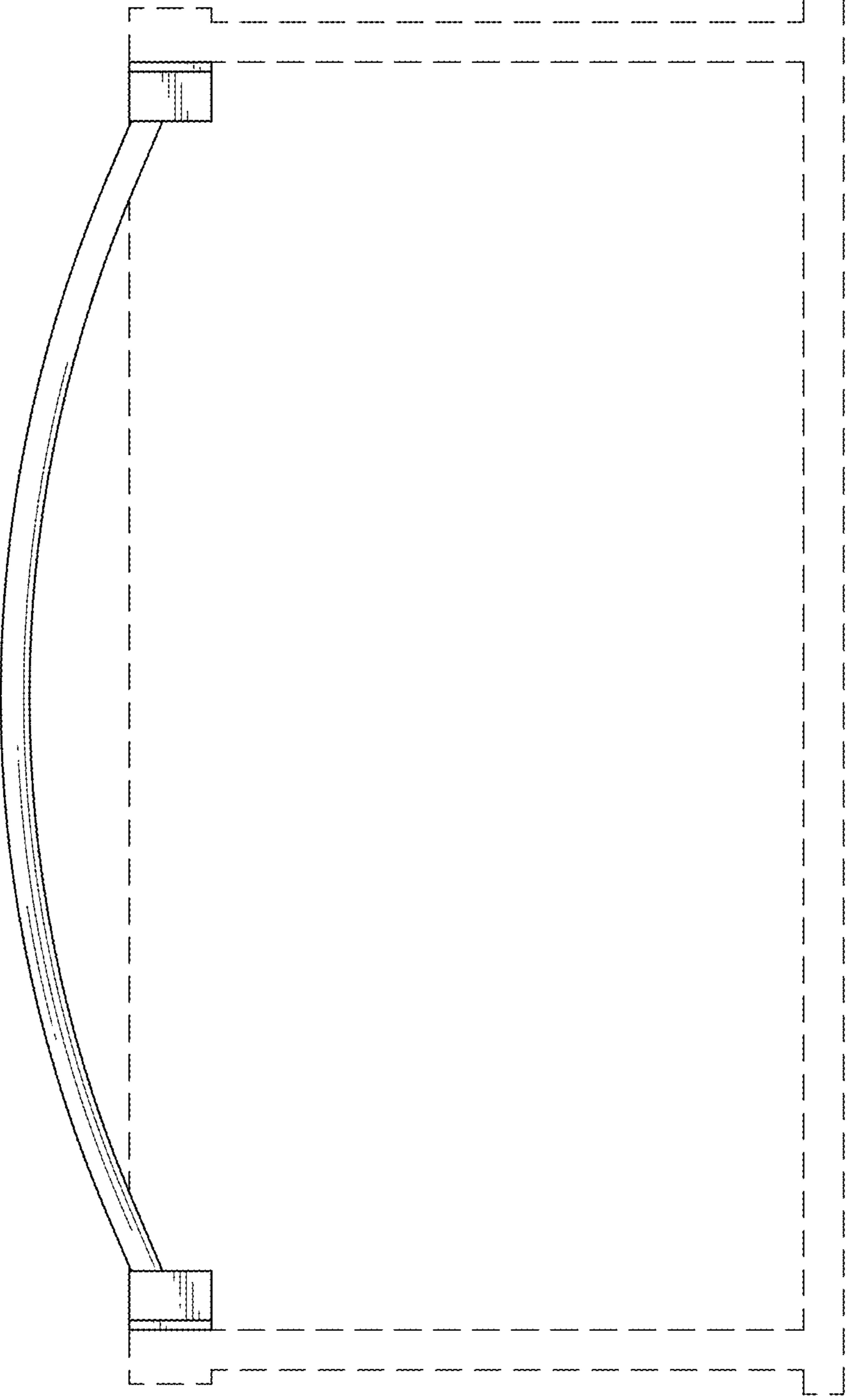


FIG. 3

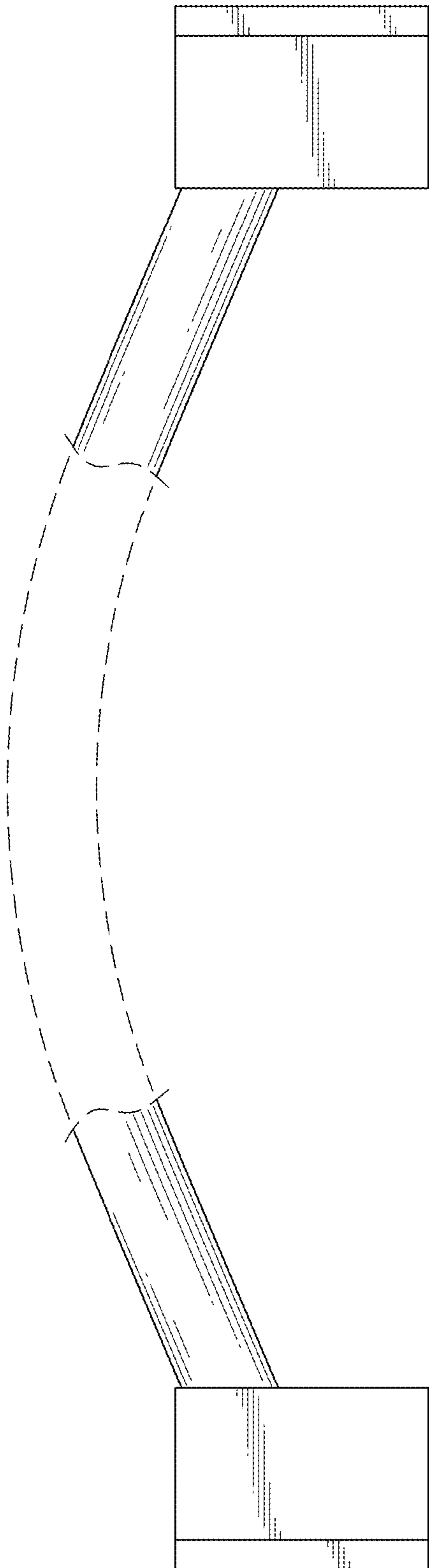


FIG. 4

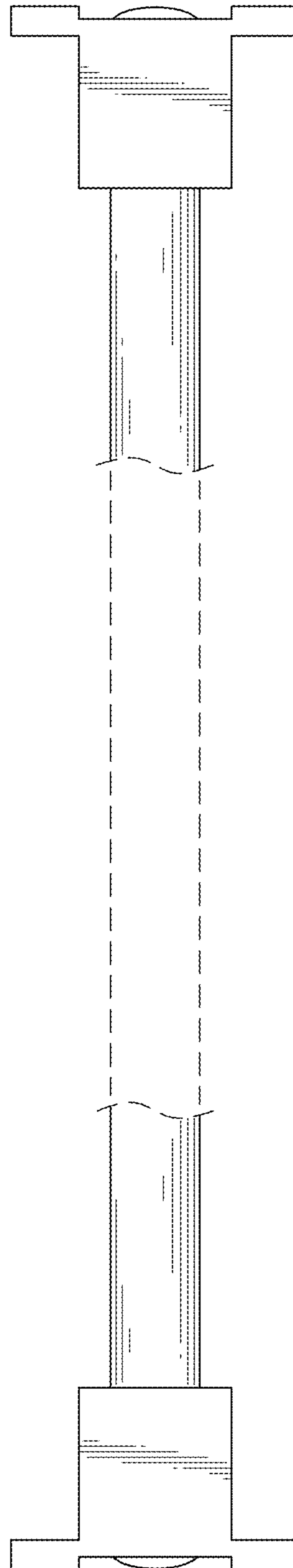


FIG. 5

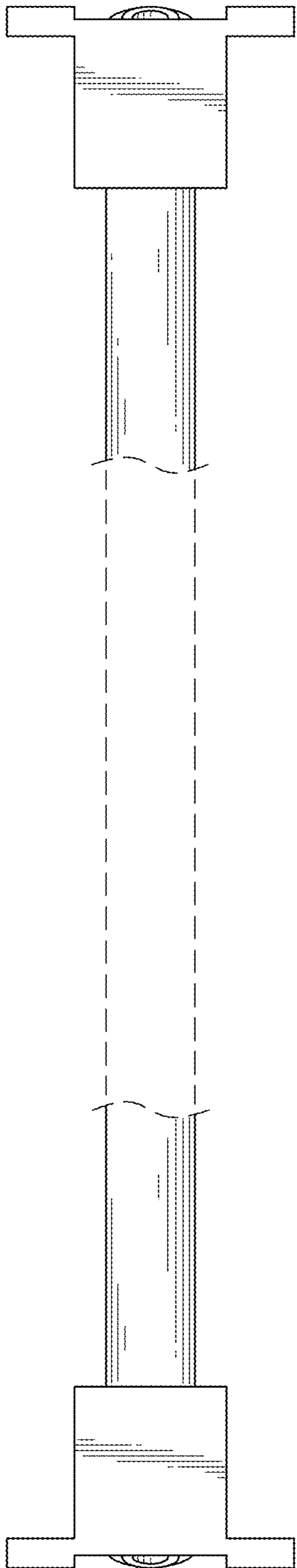


FIG. 6

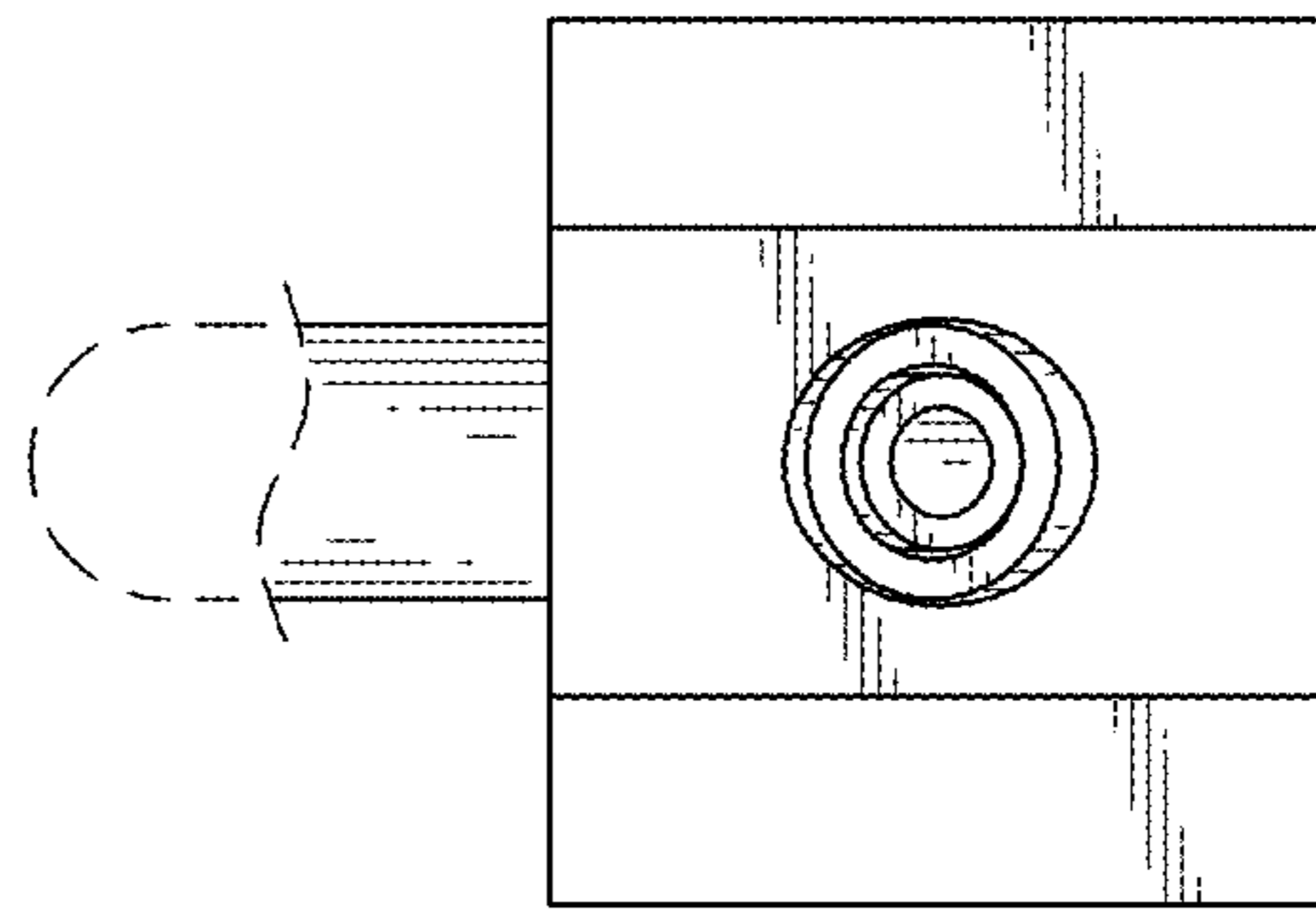


FIG. 7