



US00D768549S

(12) **United States Design Patent**
Kushita et al.

(10) **Patent No.:** **US D768,549 S**
(45) **Date of Patent:** **** Oct. 11, 2016**

(54) **BACKHOE**
(71) Applicant: **Kubota Corporation**, Osaka-shi (JP)
(72) Inventors: **Yoshihiro Kushita**, Sakai (JP);
Masaaki Ueda, Sakai (JP); **Kasumi Inagaki**, Sakai (JP); **Kenichi Saiki**, Sakai (JP)
(73) Assignee: **Kubota Corporation**, Osaka (JP)
(**) Term: **14 Years**
(21) Appl. No.: **29/498,019**
(22) Filed: **Jul. 30, 2014**

2007/0068722 A1* 3/2007 Miyake E02F 9/0808
180/327
2008/0078174 A1* 4/2008 Horii E02F 9/2239
60/421

FOREIGN PATENT DOCUMENTS

JP 1463448 S 3/2013

* cited by examiner

Primary Examiner — Katrina A Betton

(74) *Attorney, Agent, or Firm* — The Webb Law Firm

(57) **CLAIM**

The ornamental design for a backhoe, as shown and described.

DESCRIPTION

FIG. 1 is a front view of a backhoe, showing our new design; FIG. 2 is a rear view thereof; FIG. 3 is a left side view thereof; FIG. 4 is a right side view thereof; FIG. 5 is a top view thereof; FIG. 6 is an enlarged front view thereof taken along lines 6-6 shown in FIG. 1; FIG. 7 is an enlarged rear view thereof taken along lines 7-7 shown in FIG. 2; FIG. 8 is an enlarged right side view thereof taken along lines 8-8 shown in FIG. 4; FIG. 9 is an enlarged upper right front perspective view of a portion thereof; and, FIG. 10 is an enlarged upper right rear perspective view of a portion thereof.

A bottom view is omitted because it is plain and unornamental and forms no part of the subject matter of the claimed design.

The portions of the backhoe shown in broken lines form no part of the claimed design.

1 Claim, 10 Drawing Sheets

(30) **Foreign Application Priority Data**

Feb. 21, 2014 (JP) 2014-003566

(51) **LOC (10) Cl.** **12-08**

(52) **U.S. Cl.**
USPC **D12/190**

(58) **Field of Classification Search**
USPC D12/190, 195, 181, 196; D15/25
CPC E02F 3/08; E02F 5/06
See application file for complete search history.

(56) **References Cited**

U.S. PATENT DOCUMENTS

6,502,896 B1* 1/2003 Nakata B60J 5/0487
16/234
D555,675 S * 11/2007 Matsubara D15/25
D614,205 S * 4/2010 Kuwae D15/25
D742,934 S * 11/2015 Kushita D15/25
D756,420 S * 5/2016 Okuyama D15/23
D758,457 S * 6/2016 Okuyama D15/23
2004/0261300 A1* 12/2004 McClelland E02F 9/2004
37/348

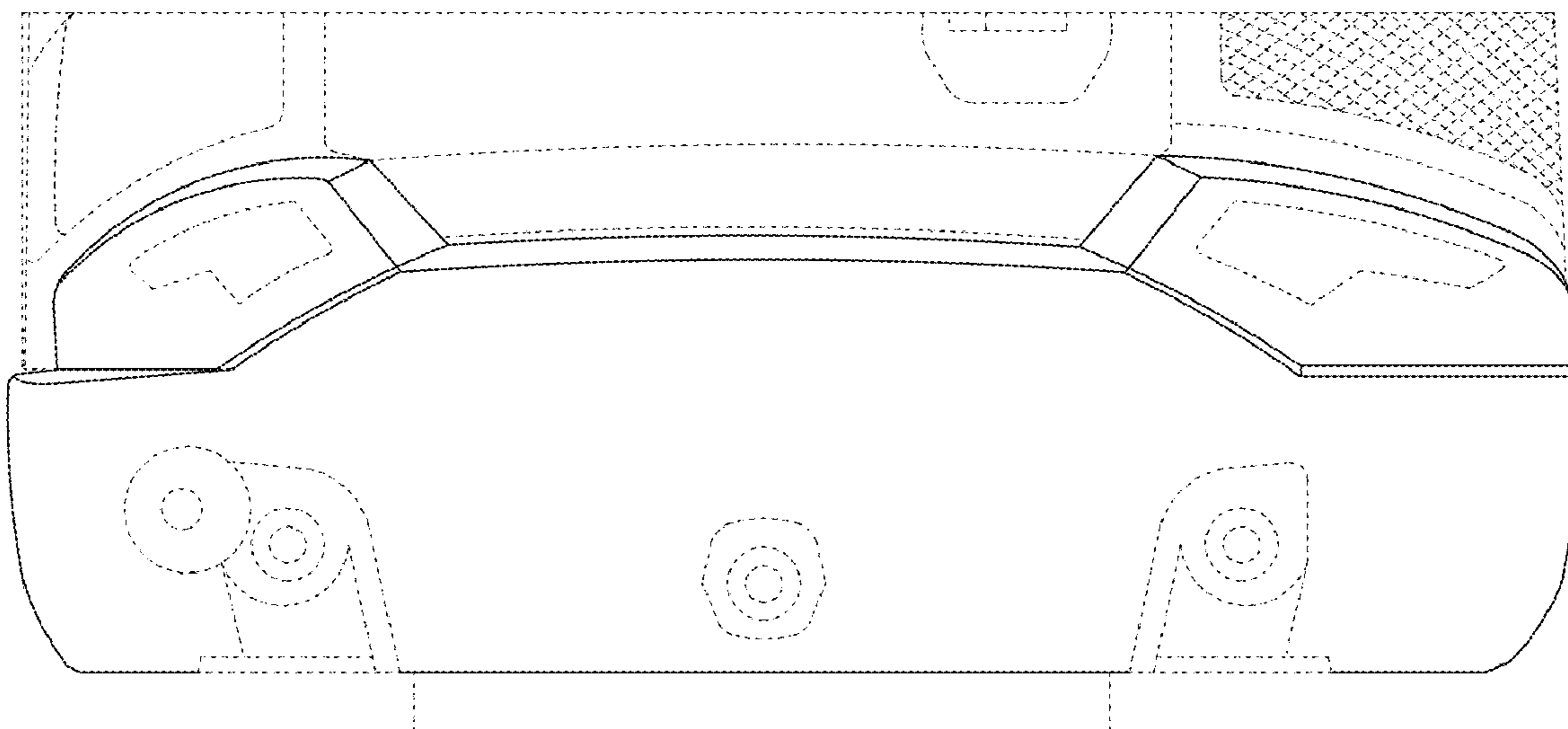


Fig. 1

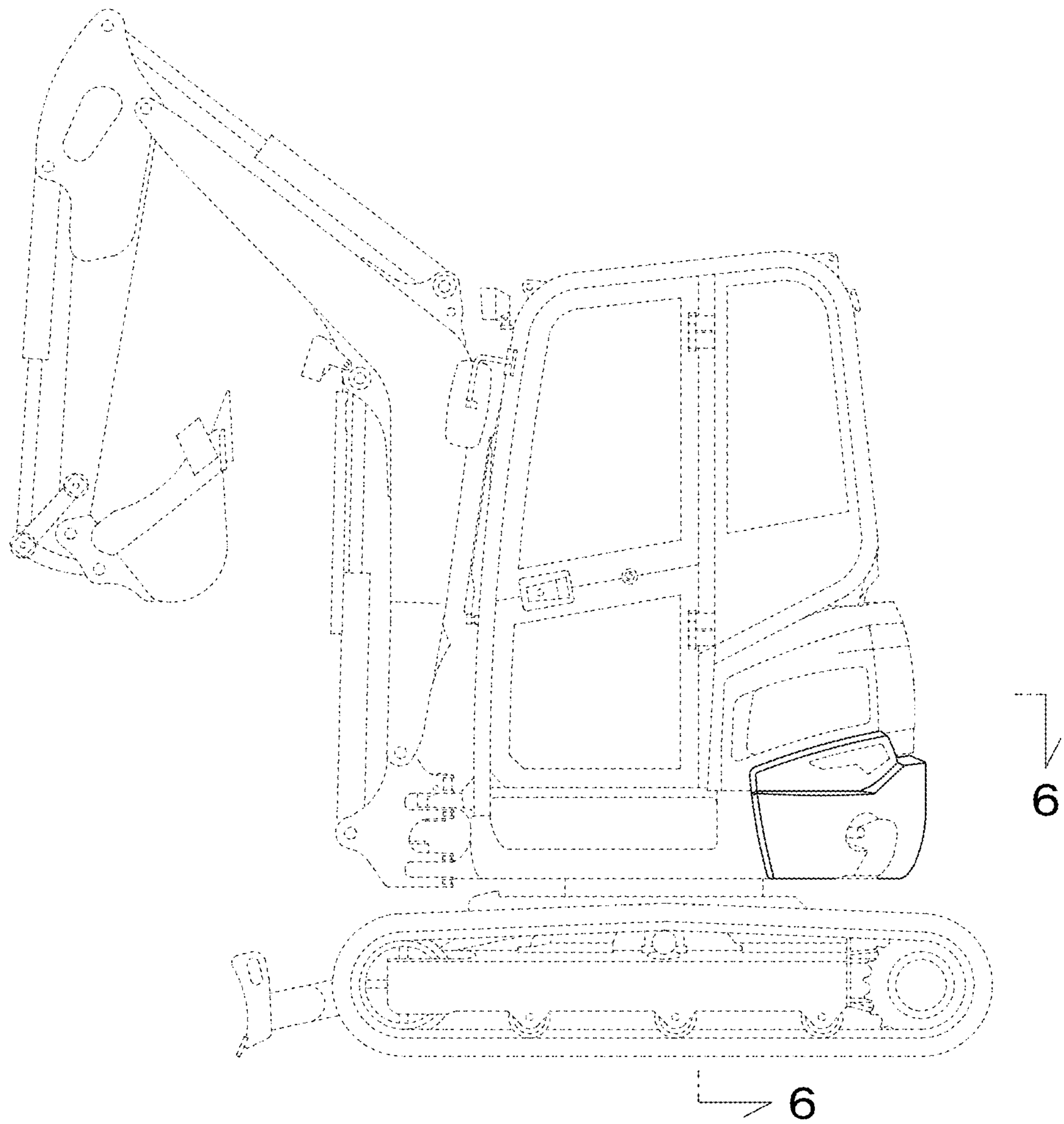


Fig. 2

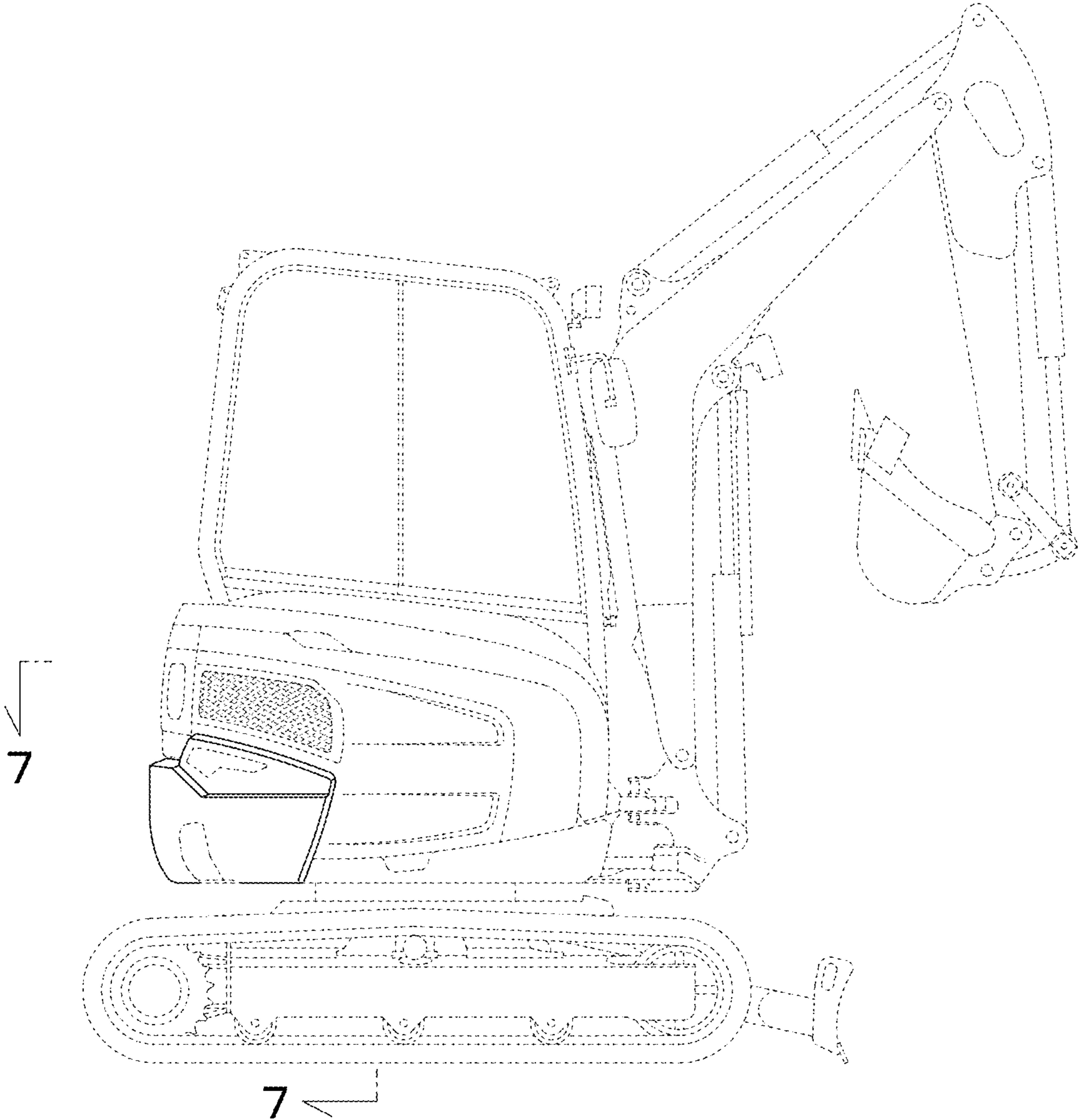


Fig. 3

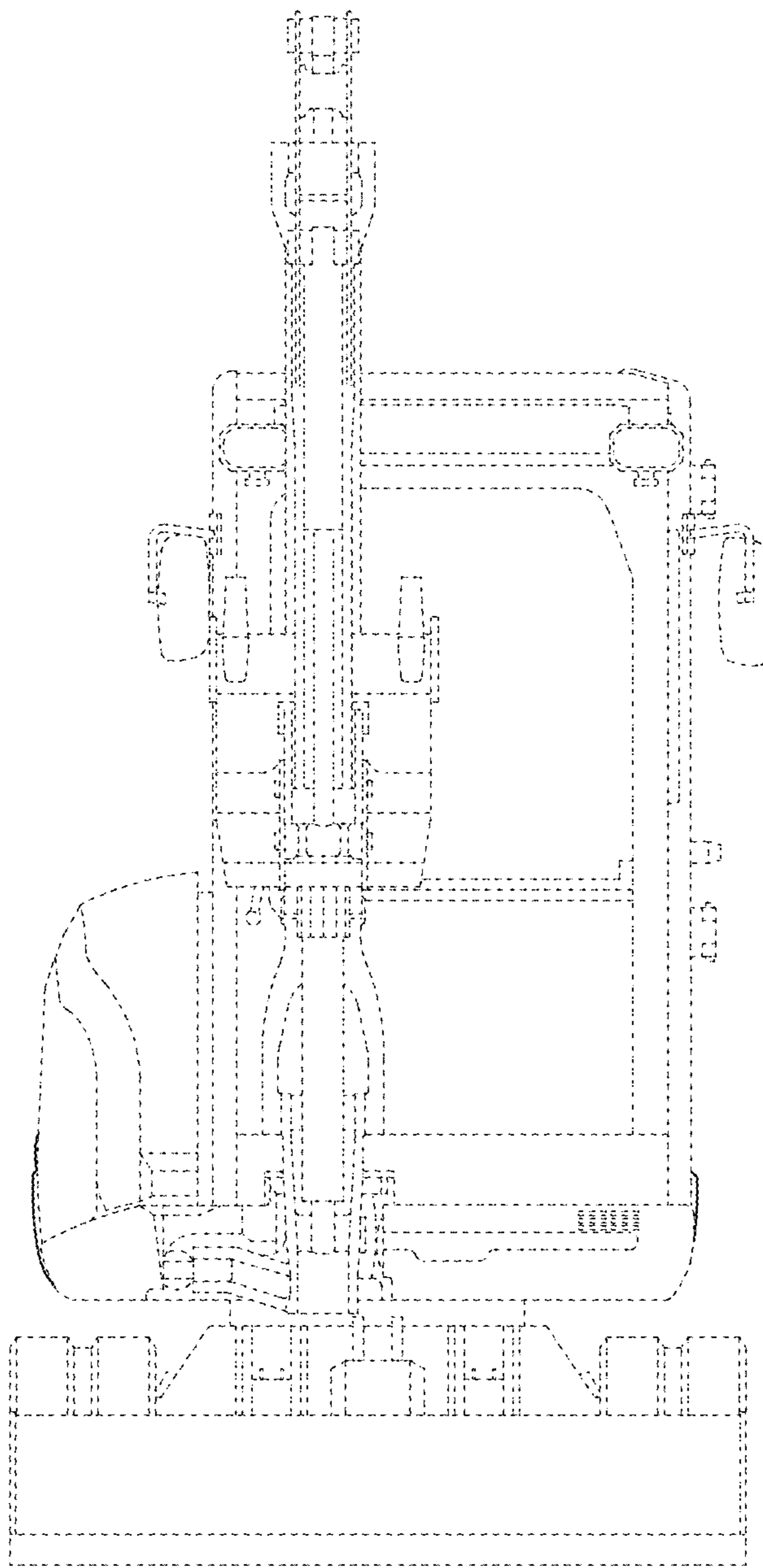


Fig. 4

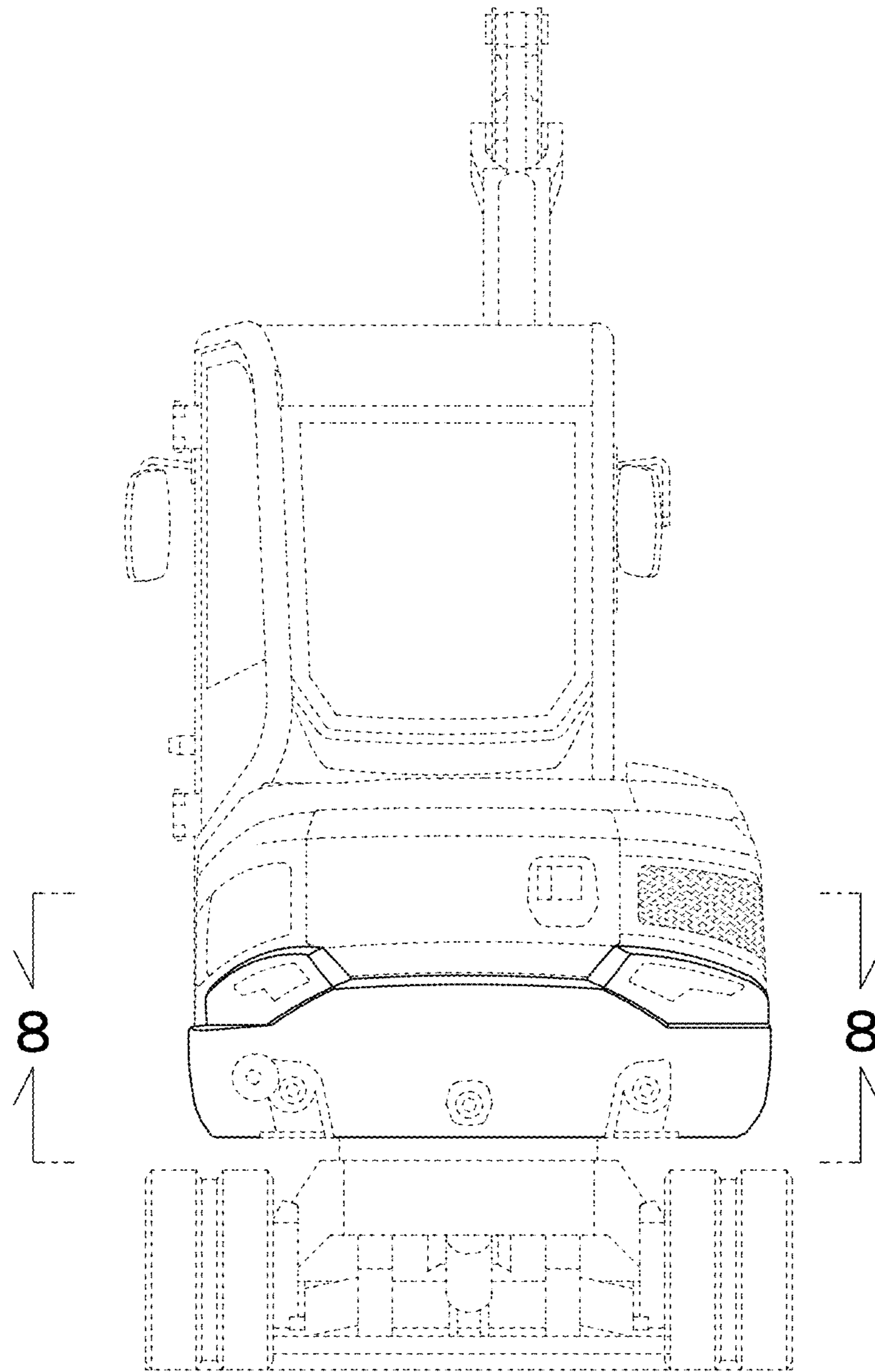


Fig. 5

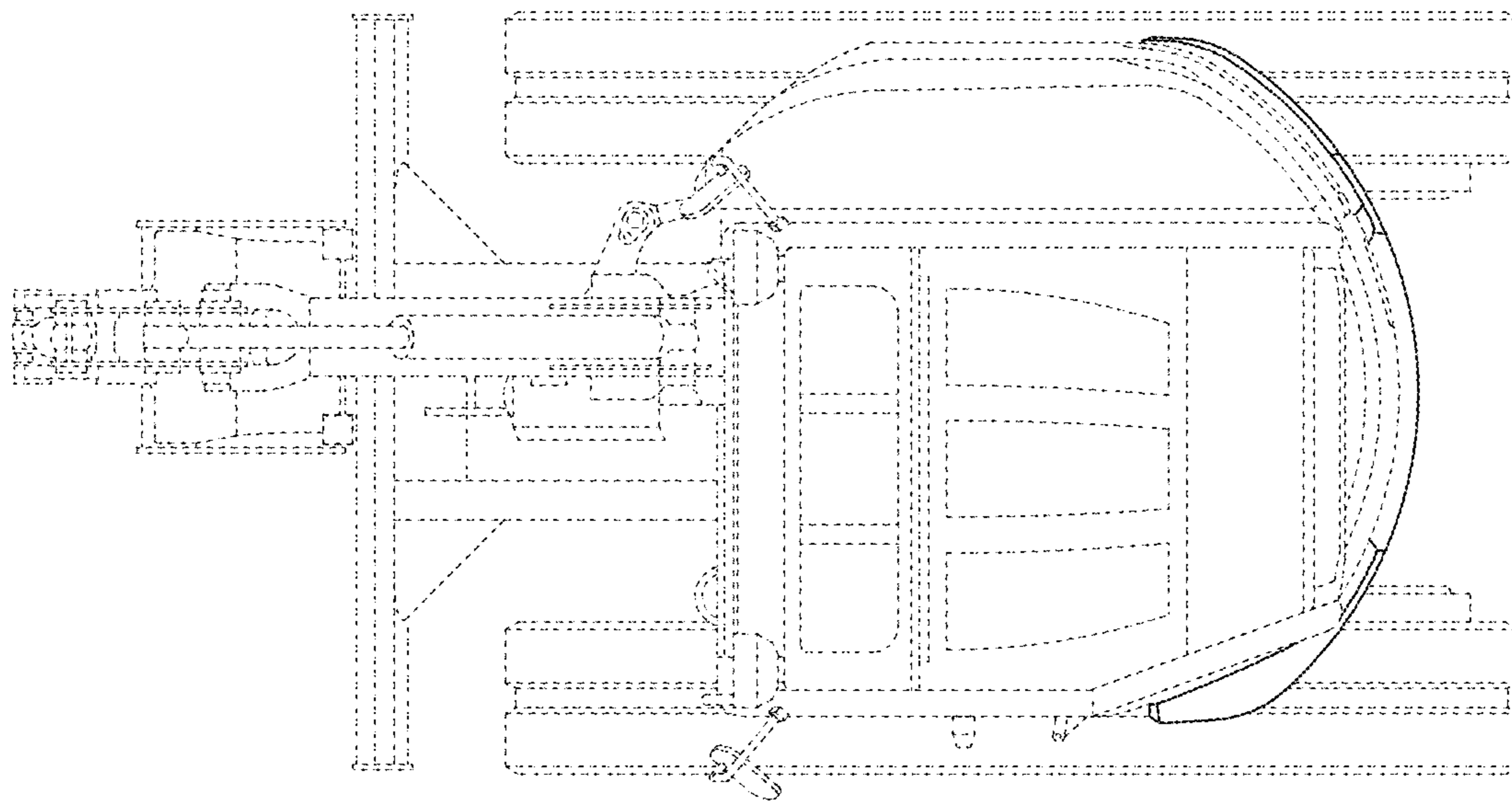


Fig. 6

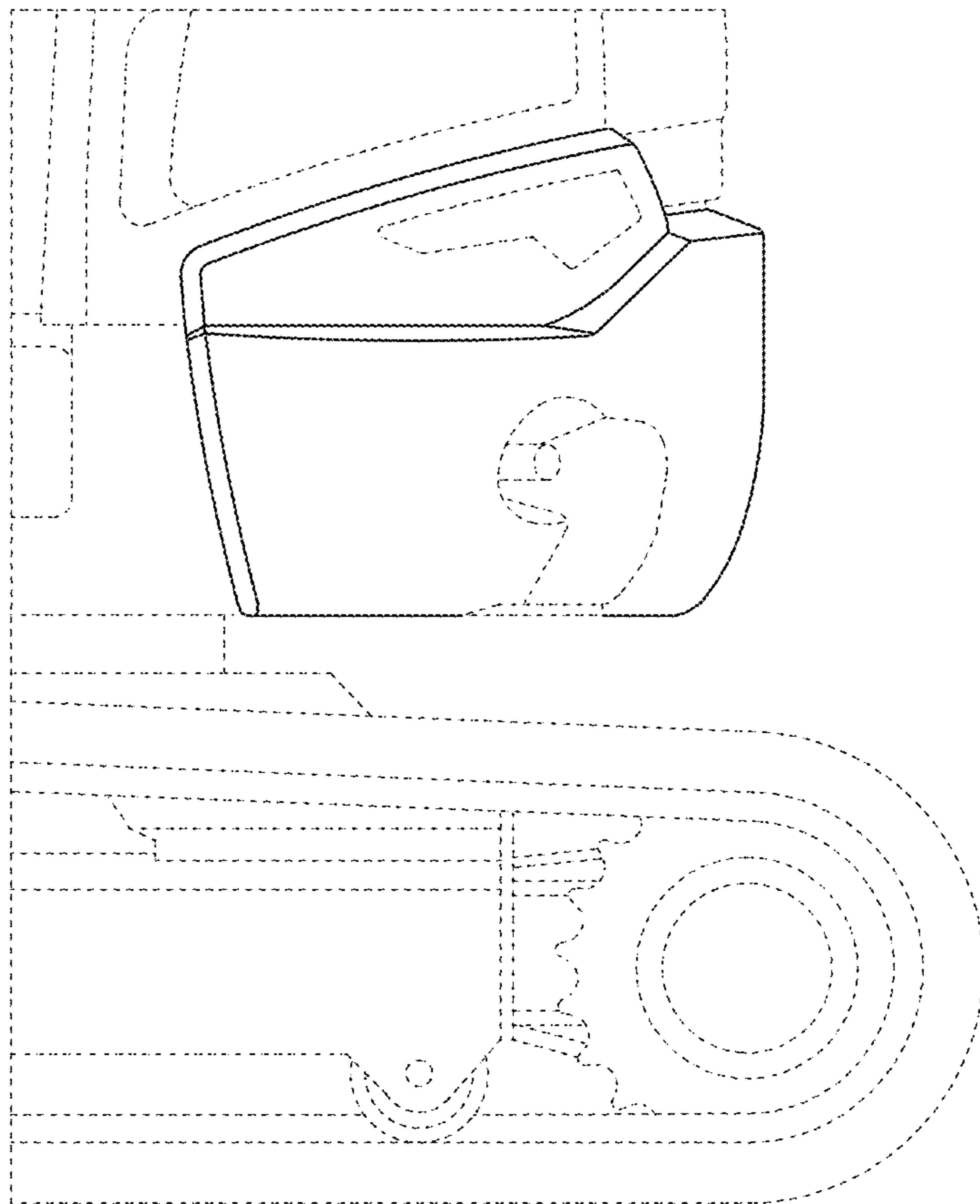


Fig. 7

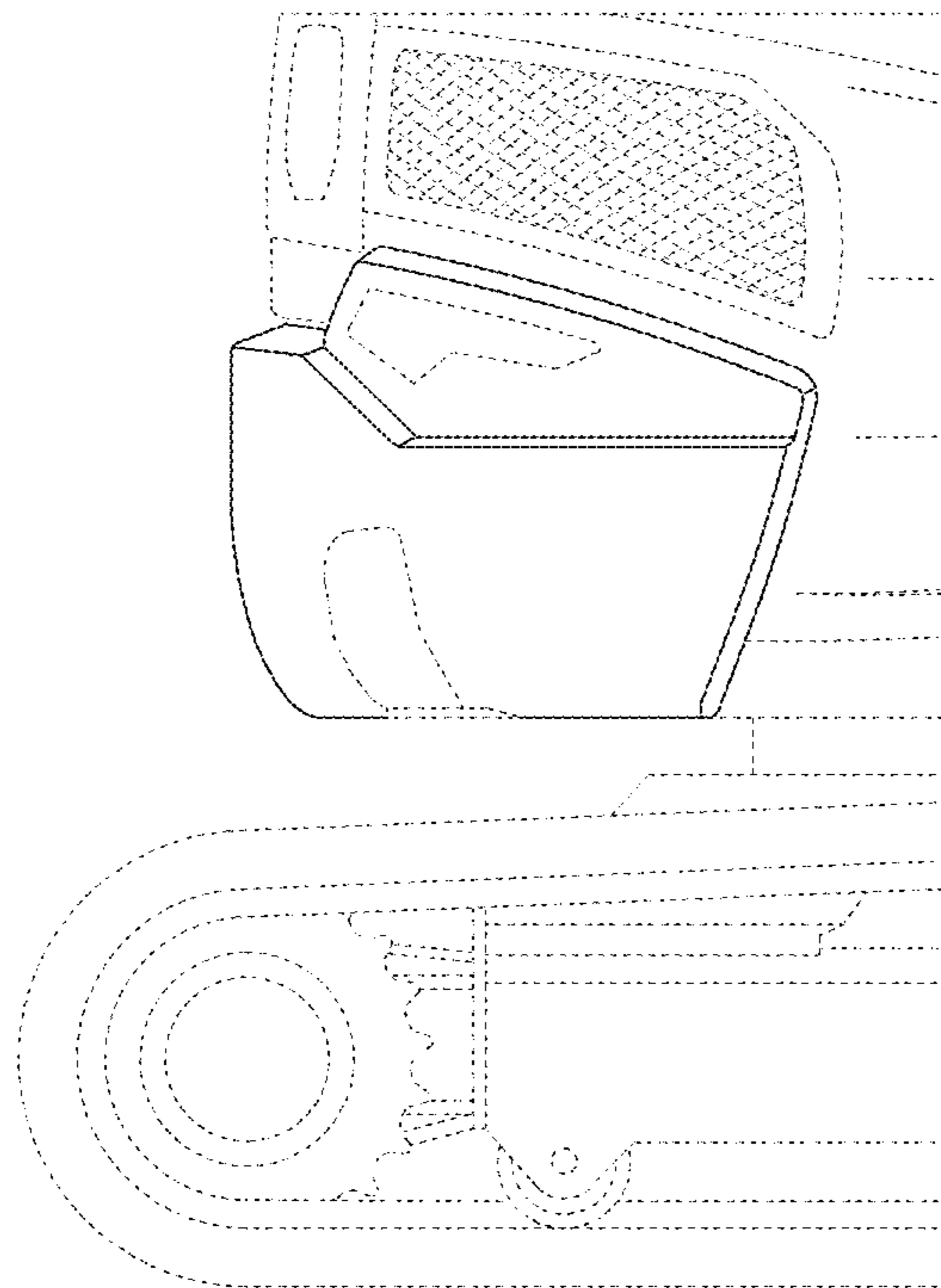


Fig. 8

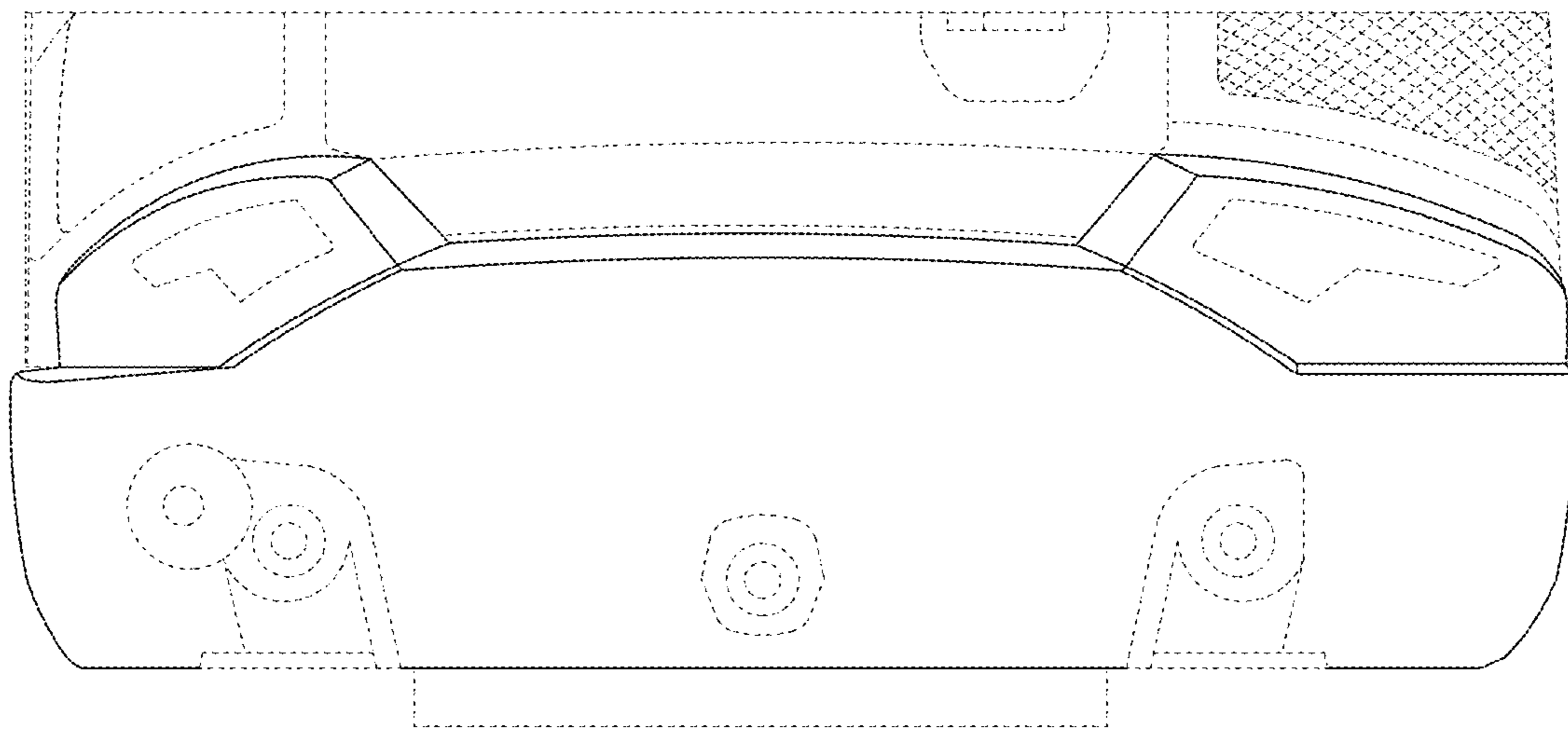


Fig. 9

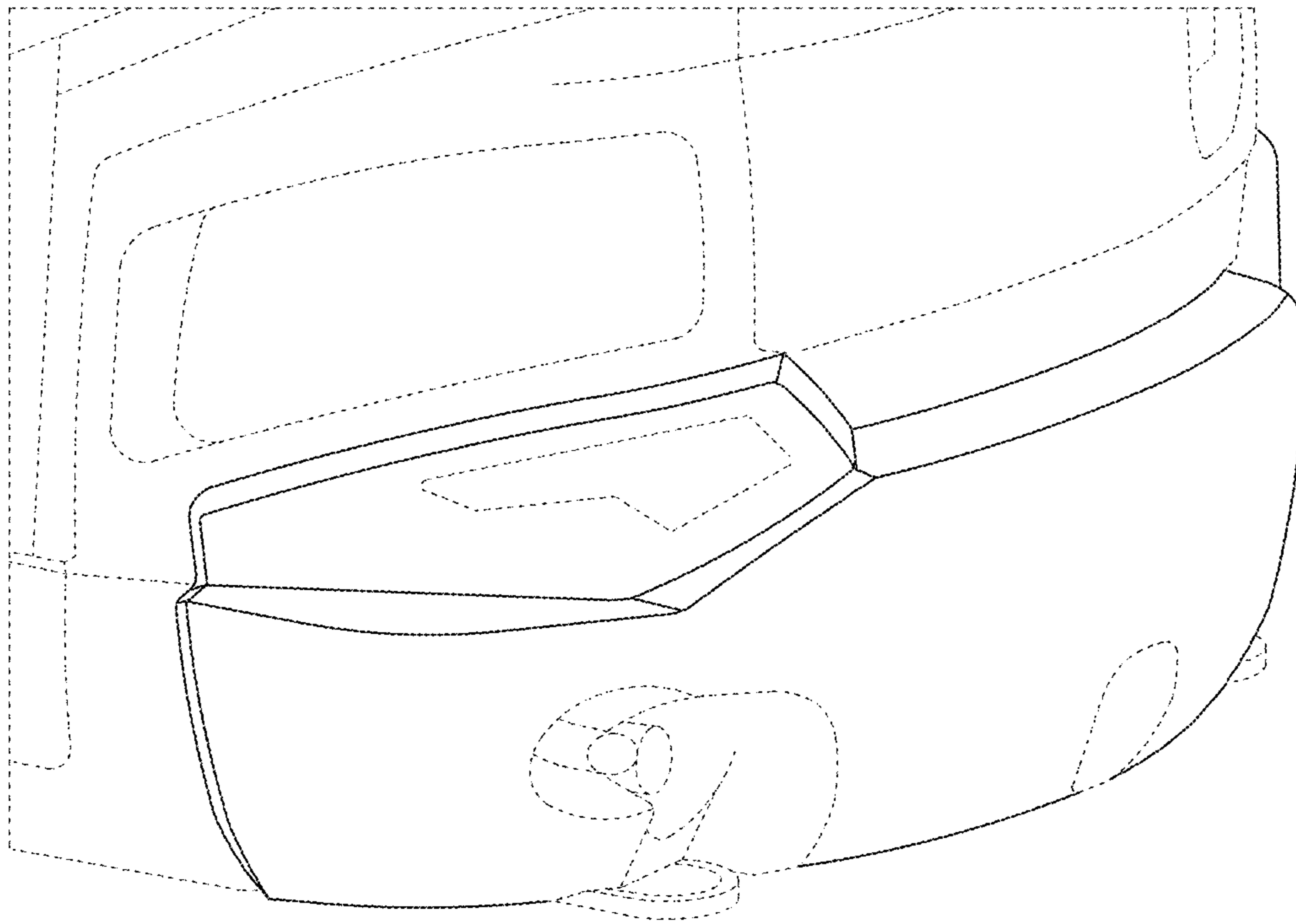


Fig. 10

