



US00D768547S

(12) **United States Design Patent** (10) **Patent No.:** **US D768,547 S**
Choi et al. (45) **Date of Patent:** **** Oct. 11, 2016**

(54) **FRONT BUMPER FOR AUTOMOBILE**

(71) Applicant: **Nissan Motor Co., Ltd.**, Yokohama, Kanagawa (JP)

(72) Inventors: **Jinwook Choi**, Tokyo (JP); **Genta Oohashi**, Kanagawa (JP); **Takashi Noguchi**, Kanagawa (JP)

(73) Assignee: **Nissan Motor Co., Ltd.**, Yokohama (JP)

(**) Term: **15 Years**

(21) Appl. No.: **29/545,114**

(22) Filed: **Nov. 10, 2015**

(30) **Foreign Application Priority Data**

May 12, 2015 (JP) 2015-010285

(51) **LOC (10) Cl.** **12-08**

(52) **U.S. Cl.**
USPC **D12/169**

(58) **Field of Classification Search**
USPC D12/86-92, 163-172; 293/102-155;
296/35.2, 193.09, 193.1, 203.02
CPC B60R 19/02; B60R 19/023; B60R 19/18;
B60R 19/24; B60R 19/44; B60R 19/48;
B60R 19/56; B60R 2019/527; B60R
2019/1886

See application file for complete search history.

(56) **References Cited**

U.S. PATENT DOCUMENTS

D578,450 S * 10/2008 Jodo D12/169

D625,671 S * 10/2010 Kim D12/169

(Continued)

FOREIGN PATENT DOCUMENTS

JP 1411245 S 4/2011

JP 1432511 S 1/2012

(Continued)

OTHER PUBLICATIONS

“2016 Nissan Sentra.” YouTube.com. 0:00. Published Jun. 20, 2015. Accessed Aug. 1, 2016. Available online at URL: <https://www.youtube.com/watch?v=N4EdV68pVL0>.*

(Continued)

Primary Examiner — Cathron Brooks

Assistant Examiner — Christian P McLean

(74) *Attorney, Agent, or Firm* — Global IP Counselors, LLP

(57) **CLAIM**

The ornamental design for a front bumper for an automobile, as shown and described.

DESCRIPTION

FIG. 1 is a front elevational view of a front bumper for an automobile in accordance with our new design;

FIG. 2 is a top plan view of the front bumper in accordance with our new design of FIG. 1;

FIG. 3 is a bottom plan view of the front bumper in accordance with our new design of FIGS. 1 to 2;

FIG. 4 is a right side elevational view of the front bumper in accordance with our new design of FIGS. 1 to 3;

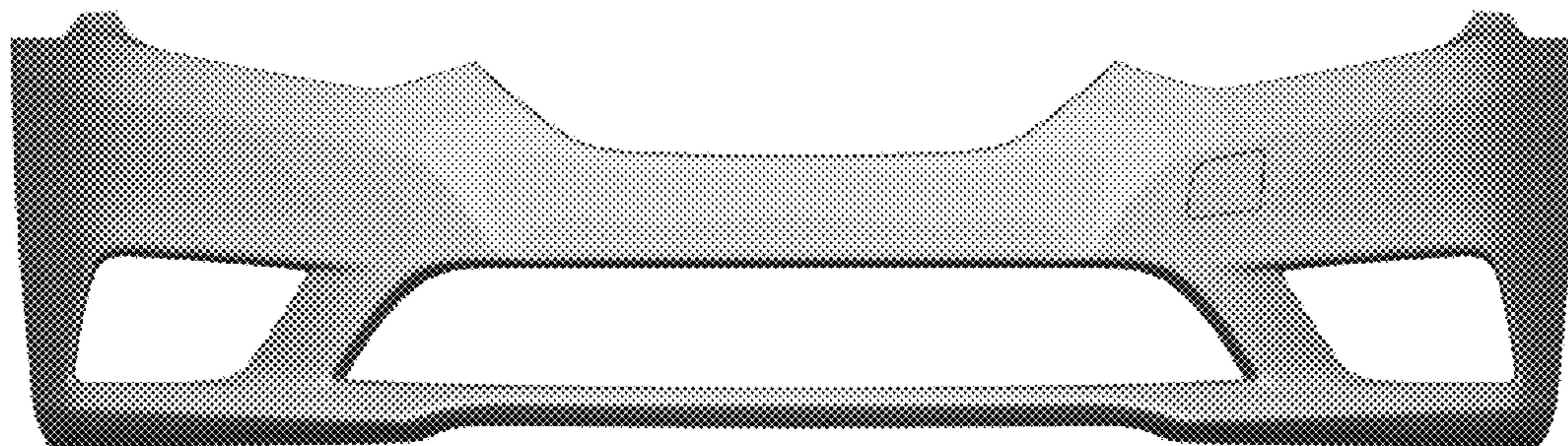
FIG. 5 is a left side elevational view of the front bumper in accordance with our new design of FIGS. 1 to 4;

FIG. 6 is a front, right and top side perspective view of the front bumper in accordance with our new design of FIGS. 1 to 5; and,

FIG. 7 is a front, left and bottom side perspective view of the front bumper in accordance with our new design of FIGS. 1 to 6.

The inside surfaces of the front bumper shown in broken lines in FIGS. 2, 3, 6 and 7 form no part of the claimed design.

1 Claim, 7 Drawing Sheets



(56)

References Cited

U.S. PATENT DOCUMENTS

D636,303 S * 4/2011 Frei D12/169
 D651,540 S * 1/2012 Okumoto D12/169
 D656,871 S * 4/2012 Fetherston D12/169
 D665,712 S * 8/2012 Tanai D12/169
 D682,168 S * 5/2013 Fuchigami D12/169
 D684,099 S * 6/2013 McCabe D12/169
 D684,904 S 6/2013 Tase et al.
 D686,119 S * 7/2013 Futschik D12/169
 D693,274 S * 11/2013 Tamatani D12/92
 D695,645 S * 12/2013 Tase D12/91
 D699,166 S * 2/2014 Abe D12/169
 D699,630 S * 2/2014 Abe D12/92
 D708,997 S 7/2014 Koizumi et al.
 D721,021 S * 1/2015 Hanaoka D12/169
 D722,925 S * 2/2015 Kato D12/169
 D748,542 S * 2/2016 Horiuchi D12/169
 D750,537 S * 3/2016 Hatton D12/169
 D754,575 S * 4/2016 Varga D12/169
 D756,275 S * 5/2016 Ino D12/169

FOREIGN PATENT DOCUMENTS

JP 1438614 S 4/2012
 JP 1443486 S 6/2012
 JP 1461045 S 2/2013
 JP 1447208 S 7/2013
 JP 1484787 S 11/2013
 JP 1458401 S 12/2013

JP 1486680 S 12/2013
 JP 1444700 S 6/2014
 JP 1501243 S 6/2014
 JP 1513540 S 12/2014
 JP 1526237 S 6/2015
 JP 1538021 S 11/2015

OTHER PUBLICATIONS

Bruce, Chris. "2016 Nissan Sentra wears a new but familiar face." autoblog.com. Nov. 18, 2015. Accessed Aug. 1, 2016. Available online at URL: <<http://www.autoblog.com/2015/11/18/2016-nissan-sentra-wears-a-new-but-familiar-face/>>.*
 Gall, Jared. "2013 Nissan Sentra SL 1.8." caranddriver.com. Oct. 2012. Accessed Aug. 1, 2016. Available online at URL: <<http://www.caranddriver.com/reviews/2013-nissan-sentra-sl-18-test-review>>.*
 "2014 Nissan Rogue." trendingcar.com. Posted Feb. 12, 2014. Accessed Aug. 4, 2016. Available online at URL: <<http://www.trendingcar.org/nissan/2014-nissan-rouge#.V6M7SvIVlc>>.*
 Wardlaw, Christian. "2014 Nissan Rogue Test Drive Review." cargurus.com. Mar. 24, 2014. Accessed Aug. 3, 2016. Available online at URL: <<https://www.cargurus.com/Cars/2014-Nissan-Rogue-Overview-c24187>>.*
 2014 Rogue Brochure. Nissan USA. Created Nov. 7, 2013, Modified Nov. 11, 2013. Accessed Aug. 4, 2016. Available online at URL: <www.auto-brochures.com/nissan.html>.*

* cited by examiner

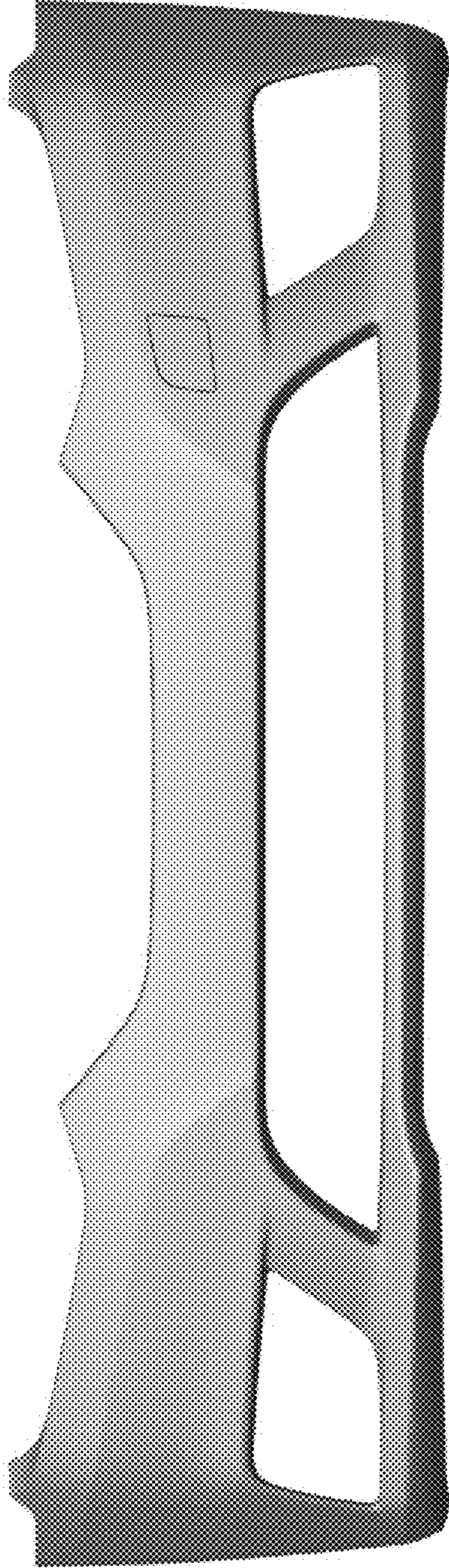


FIG. 1

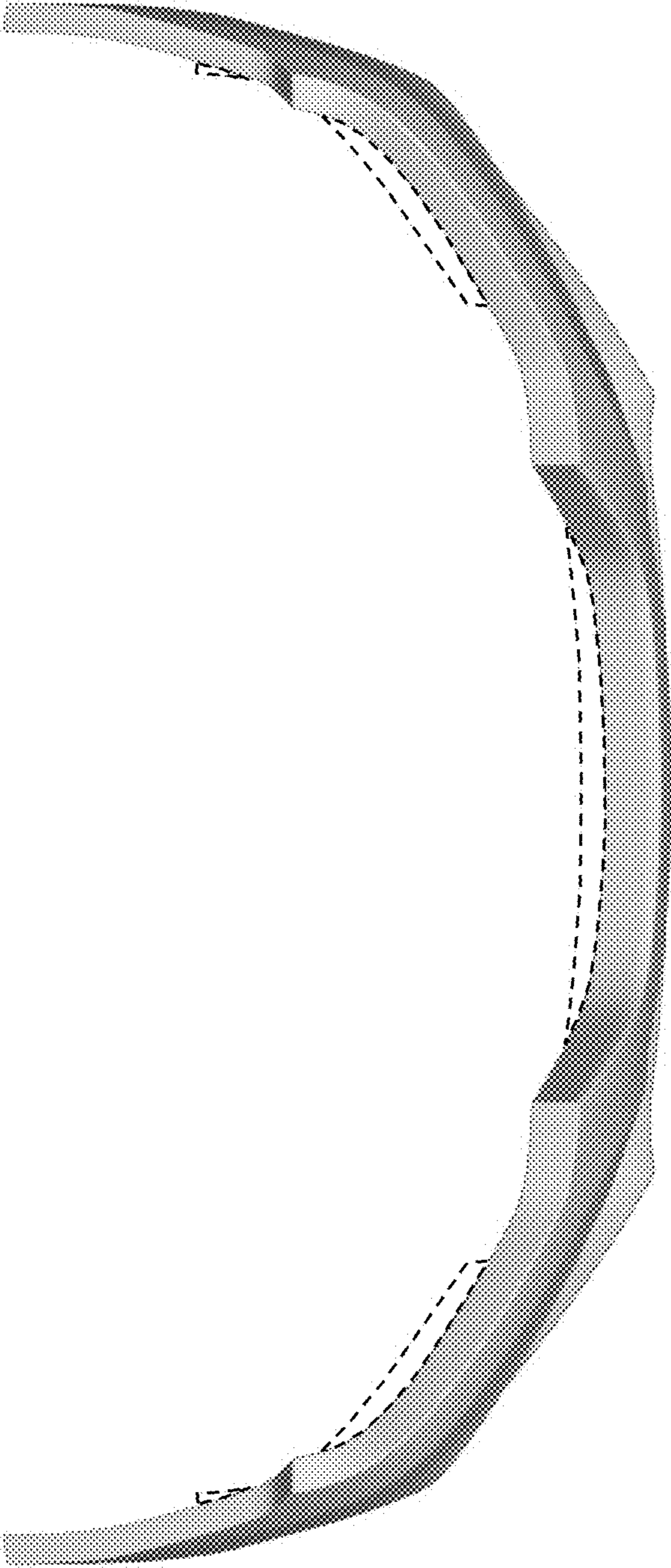


FIG. 2

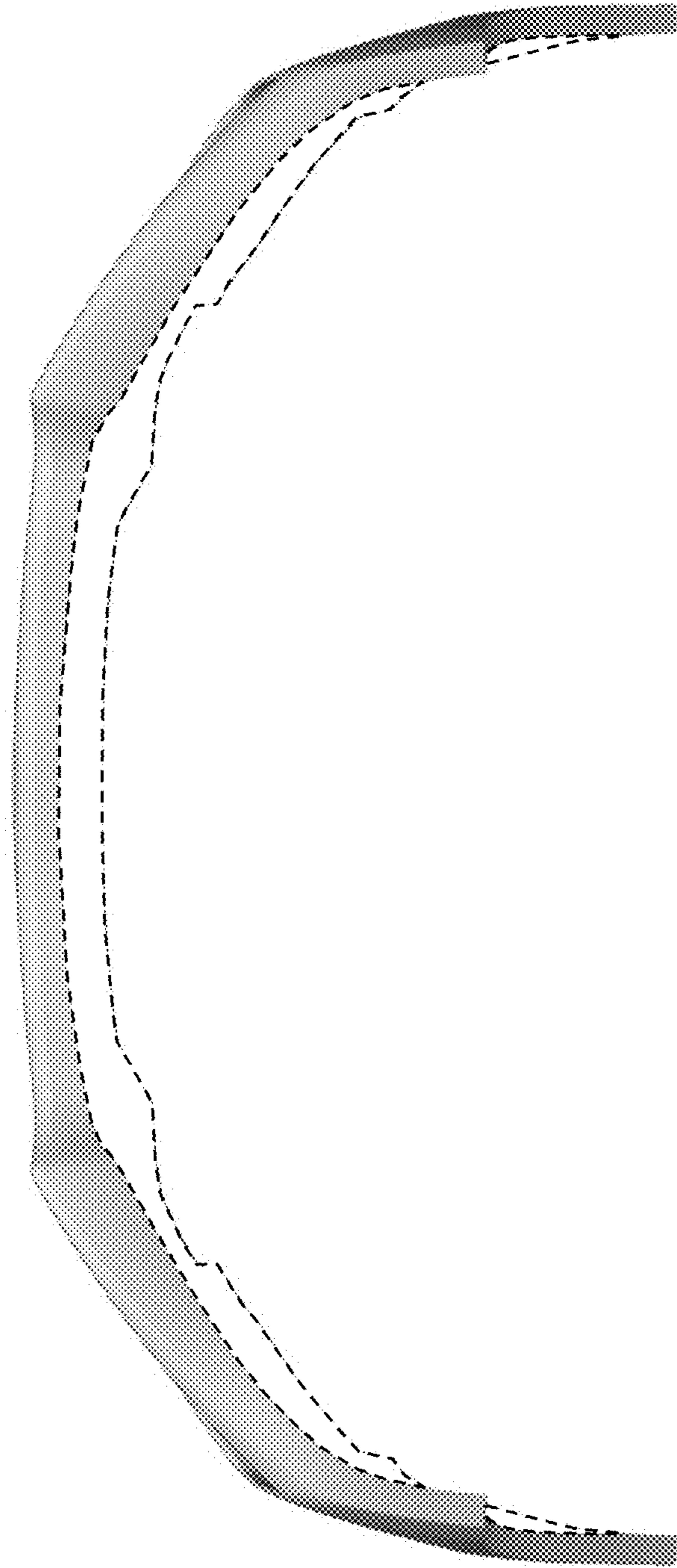


FIG. 3

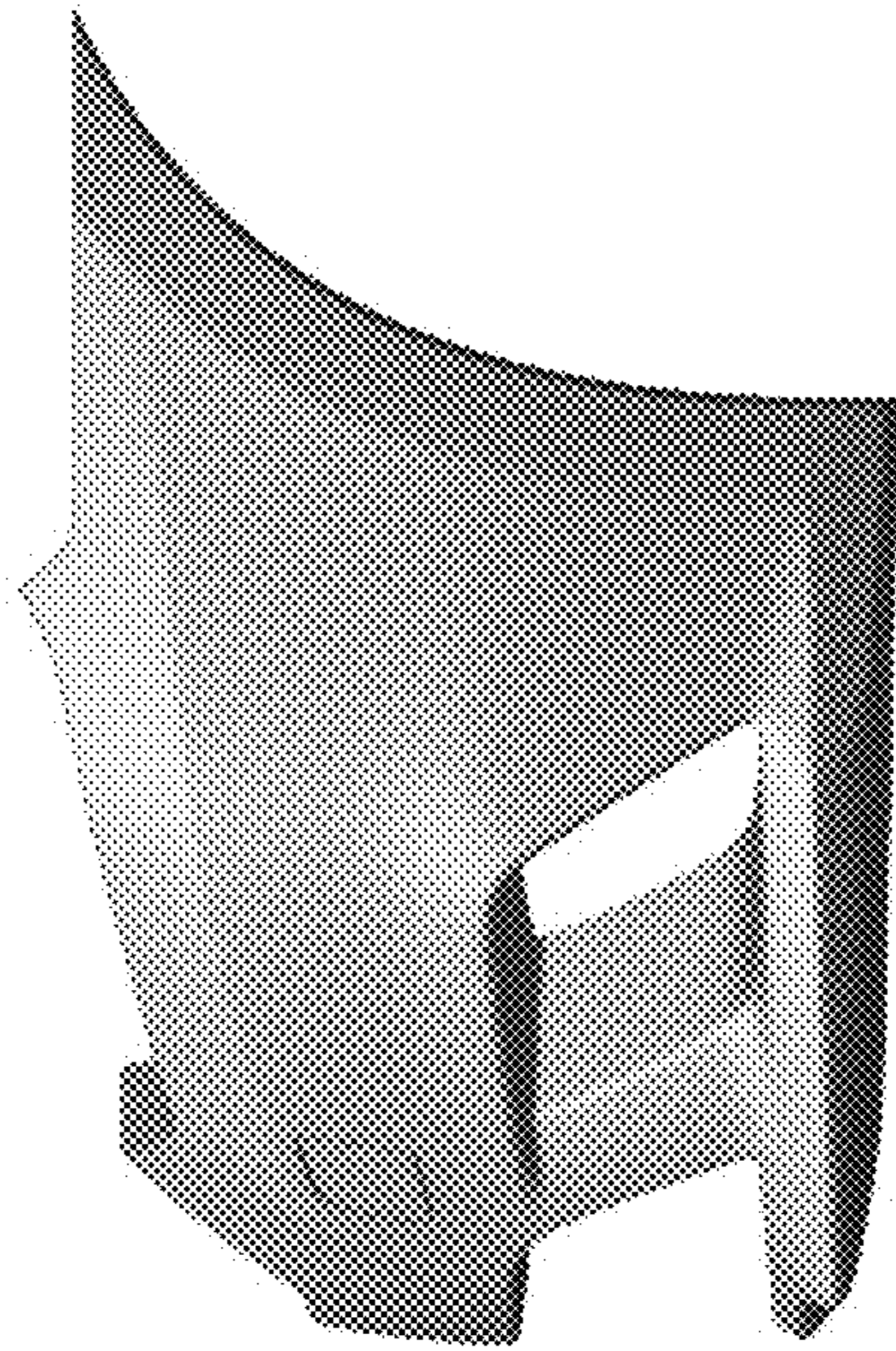


FIG. 4

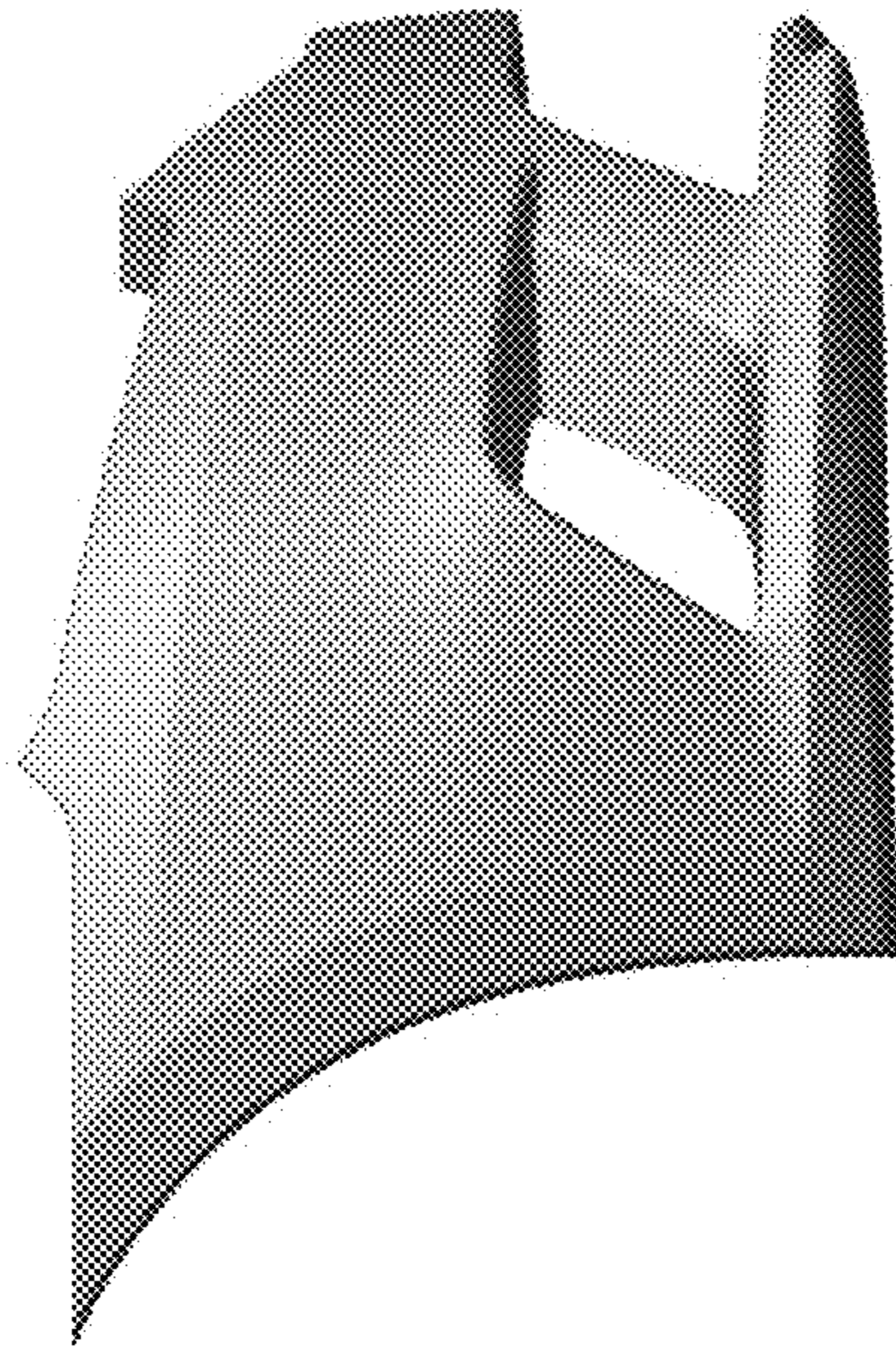


FIG. 5

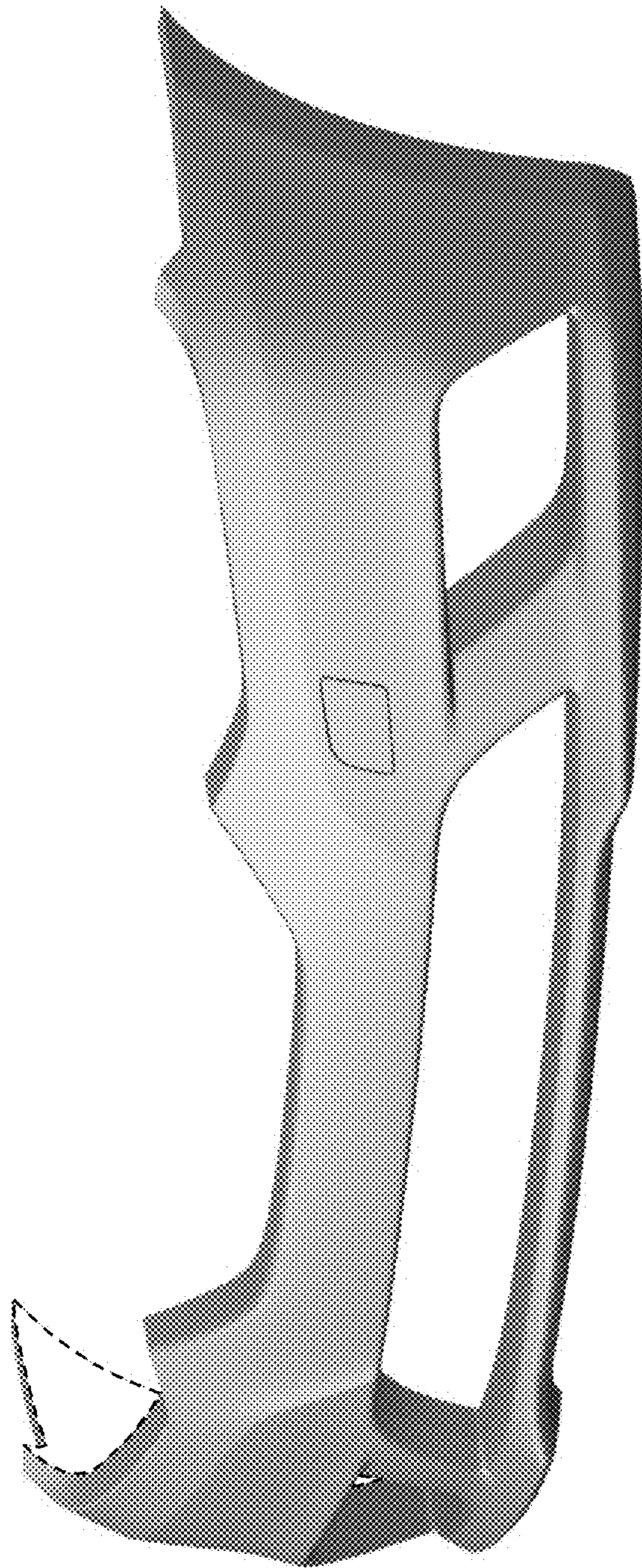


FIG. 6

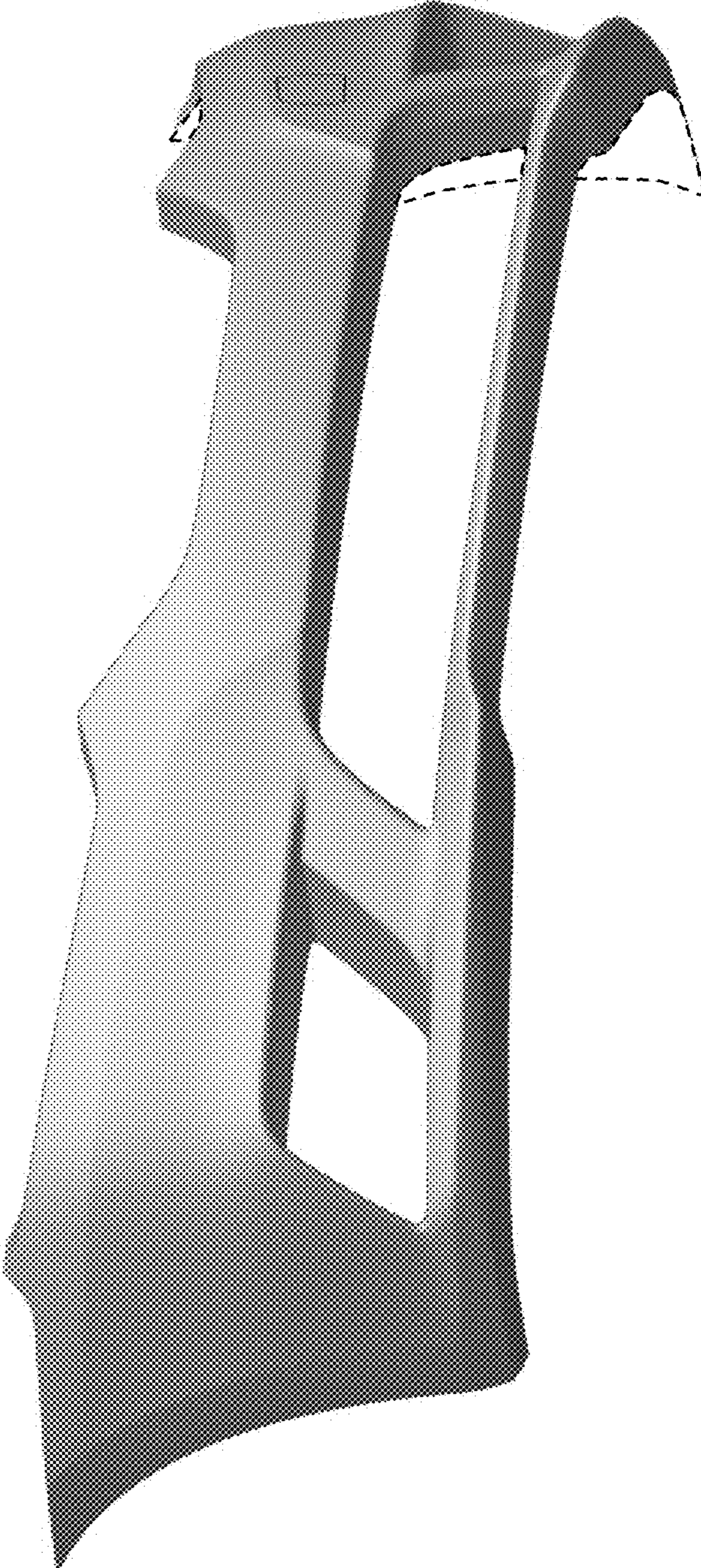


FIG. 7