



US00D768546S

(12) **United States Design Patent**
Ingallinera

(10) **Patent No.:** **US D768,546 S**
(45) **Date of Patent:** **** Oct. 11, 2016**

(54) **CANE HOLDING DEVICE FOR WALKER**

(71) Applicant: **Jerry Ingallinera**, East Hartford, CT
(US)

(72) Inventor: **Jerry Ingallinera**, East Hartford, CT
(US)

(**) Term: **14 Years**

(21) Appl. No.: **29/509,393**

(22) Filed: **Nov. 17, 2014**

(51) **LOC (10) Cl.** **12-12**

(52) **U.S. Cl.**
USPC **D12/133; D3/10**

(58) **Field of Classification Search**
USPC D12/130, 133; D3/10, 11
CPC A45B 1/04; A45B 2009/005; A45B 9/00;
A61G 7/0503

See application file for complete search history.

(56) **References Cited**

U.S. PATENT DOCUMENTS

5,331,988	A *	7/1994	Harmon	A45B 9/00
					135/65
7,021,324	B1 *	4/2006	Clay	A61H 3/04
					135/66
D572,899	S *	7/2008	Berry	D3/10
D650,167	S *	12/2011	Goldwasser	D3/10
D673,359	S *	1/2013	Goldwasser	D3/10

D714,132	S *	9/2014	Hazantonis	D8/382
D731,780	S *	6/2015	Mingo	D3/11
D738,099	S *	9/2015	Mosteller	D3/10
D757,421	S *	5/2016	Chaloux	D3/10
D760,487	S *	7/2016	Sugita	D3/11
2003/0234035	A1 *	12/2003	Hutchinson	A45B 1/04
					135/66
2013/0125834	A1 *	5/2013	Gee	A01K 27/003
					119/795
2015/0001359	A1 *	1/2015	Catchings	F16M 11/041
					248/220.22

* cited by examiner

Primary Examiner — Charles Hanson

(74) *Attorney, Agent, or Firm* — Gulf Coast Intellectual Property Group

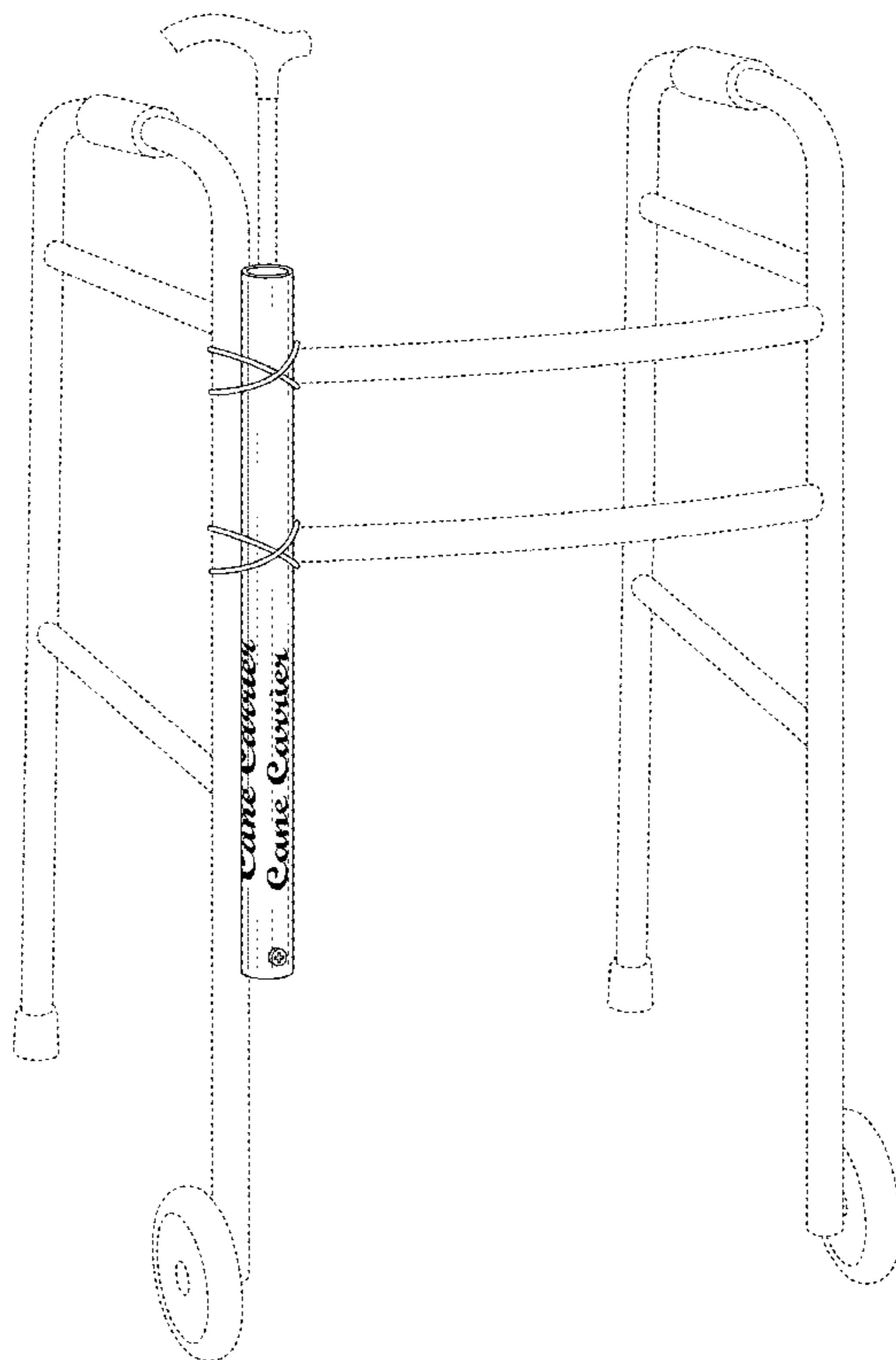
(57) **CLAIM**

The ornamental design for a cane holding device for a walker, as shown and described.

DESCRIPTION

FIG. 1 is a perspective view of the present invention; and FIG. 2 is a front view of the present invention; and FIG. 3 is a rear view of the present invention; and FIG. 4 is a left side view of the present invention; and FIG. 5 is a right side view of the present invention; and FIG. 6 is a top view of the present invention; and, FIG. 7 is a bottom view of the present invention. Wherein the dotted lines herein illustrate environment and use and do not form any part of the claimed design.

1 Claim, 3 Drawing Sheets



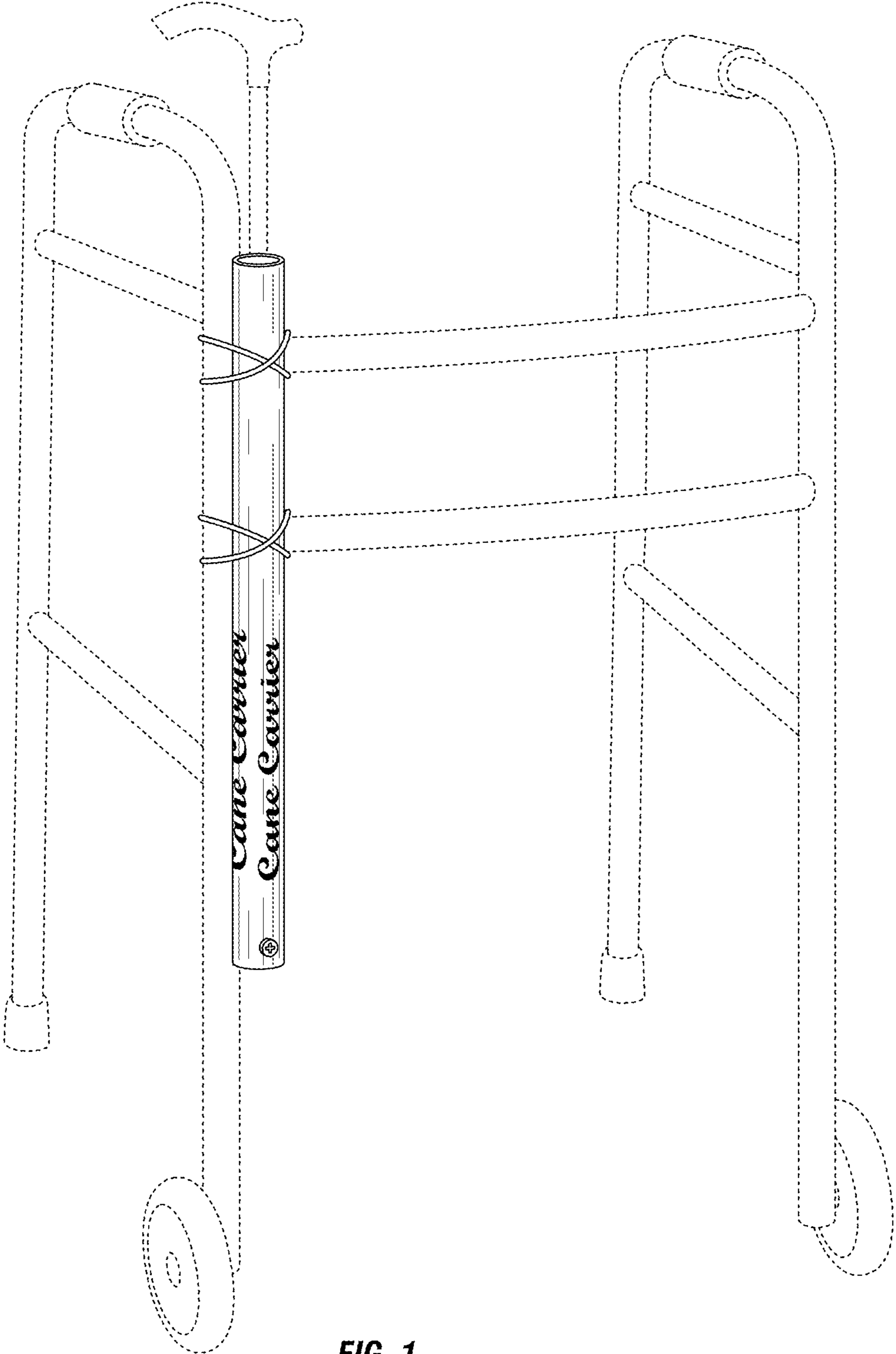


FIG. 1

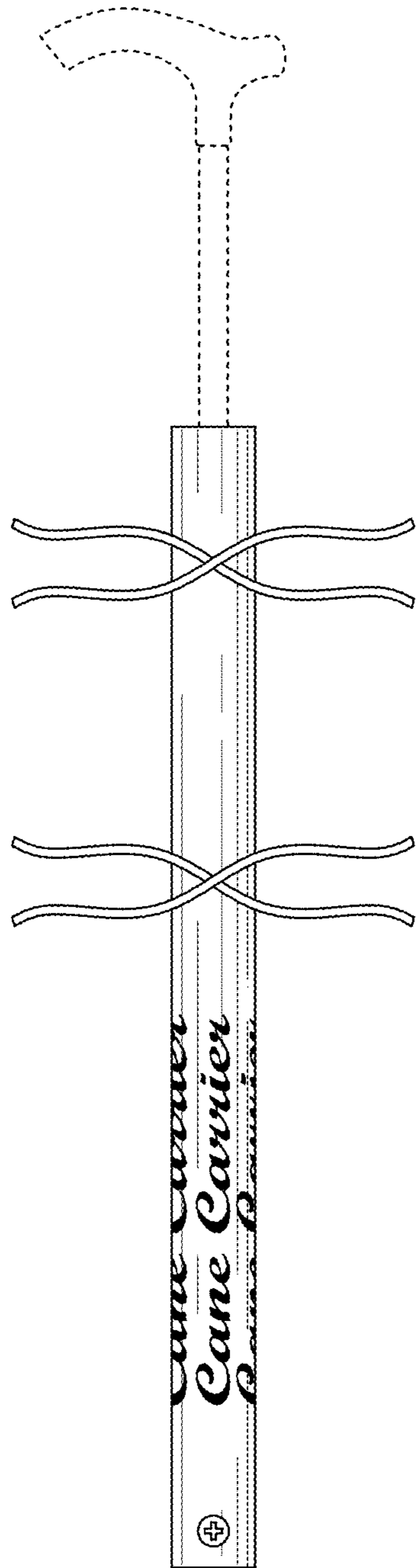


FIG. 2

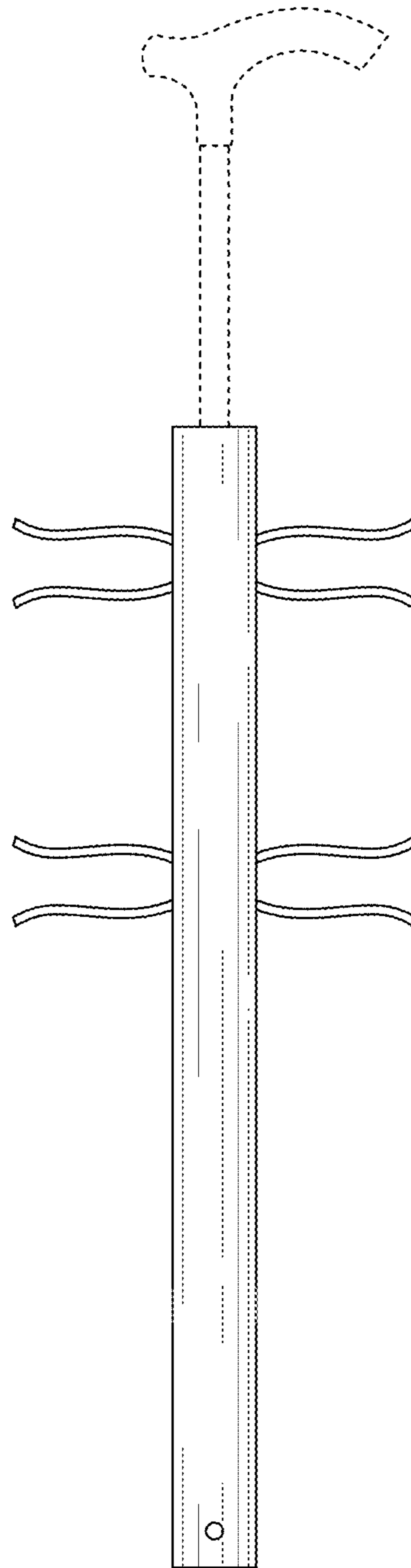


FIG. 3

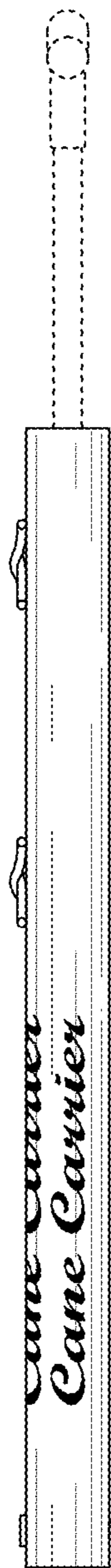


FIG. 4

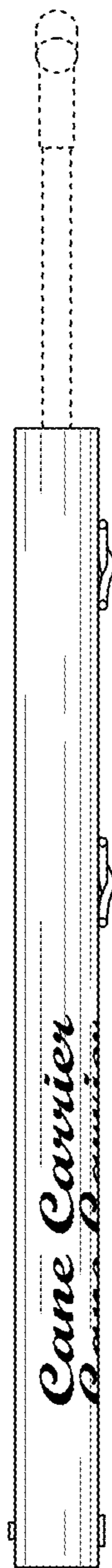


FIG. 5

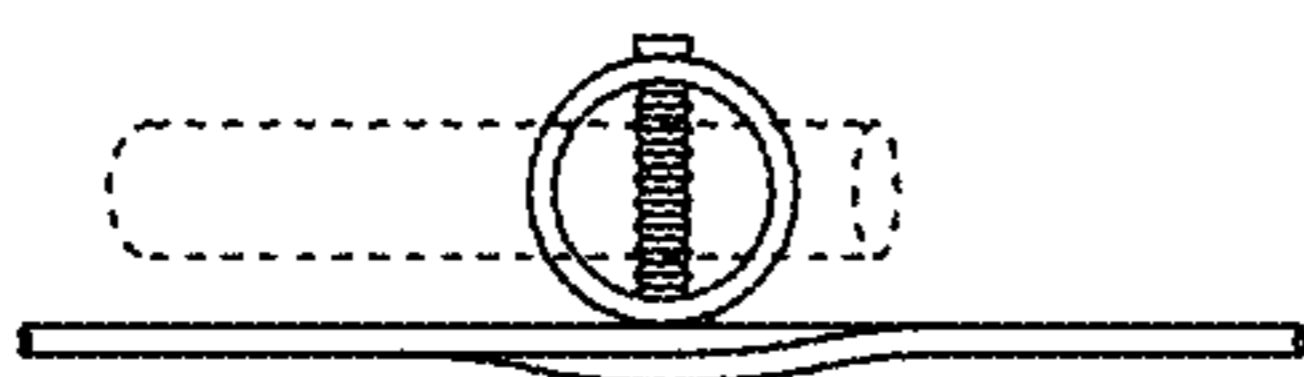


FIG. 6

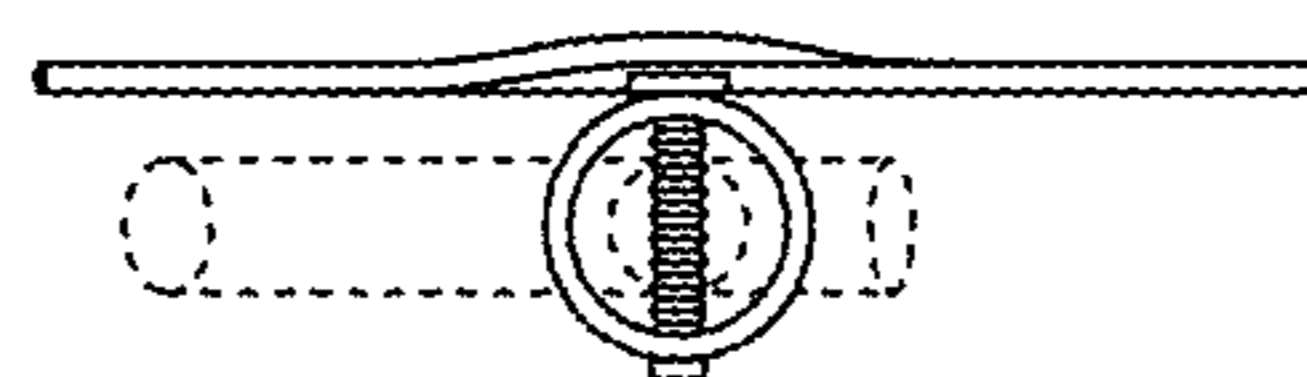


FIG. 7