



US00D768545S

(12) **United States Design Patent** (10) **Patent No.:** **US D768,545 S**
Greenblatt et al. (45) **Date of Patent:** **** Oct. 11, 2016**

(54) **BICYCLE STORAGE SYSTEM**

(71) Applicant: **Everlast Climbing Industries, Inc.**,
Mendota Heights, MN (US)
(72) Inventors: **Joel Greenblatt**, Wauwatosa, WI (US);
Andrew Patrick Kennedy Lageson,
Minneapolis, MN (US)
(73) Assignee: **EVERLAST CLIMBING**
INDUSTRIES, INC., Mendota Heights,
MN (US)

211/5
D566,628 S * 4/2008 Steward D12/115
D604,206 S * 11/2009 Selzer D12/115
D604,207 S * 11/2009 Selzer D12/115
8,950,592 B1 * 2/2015 Greenblatt B62H 3/12
211/17
2006/0266717 A1 * 11/2006 Tsai B62H 3/00
211/17
2007/0107322 A1 * 5/2007 Blume B62H 3/04
52/79.4
2011/0240572 A1 * 10/2011 Kerman B62H 3/00
211/20
2014/0341683 A1 * 11/2014 Lee B62H 3/04
414/227

(**) Term: **14 Years**

(21) Appl. No.: **29/512,428**

(22) Filed: **Dec. 18, 2014**

(51) **LOC (10) Cl.** **12-11**

(52) **U.S. Cl.**
USPC **D12/115**

(58) **Field of Classification Search**
USPC D12/115, 120, 402, 406, 407
CPC B60R 9/10; B60R 9/06; B62H 3/00;
B62H 3/04; B62H 3/08; B62H 3/10
See application file for complete search history.

(56) **References Cited**

U.S. PATENT DOCUMENTS

5,653,890 A * 8/1997 Arato B62H 3/12
211/18
D391,902 S * 3/1998 Pappas D12/115
5,845,788 A * 12/1998 Robolin B62H 3/00
211/1.51
6,336,562 B1 * 1/2002 Mori B62H 3/08
211/162
D456,316 S * 4/2002 Will D12/115
6,637,602 B2 * 10/2003 Dueck B62H 3/12
211/17
D488,106 S * 4/2004 Birkmann D12/115
D543,906 S * 6/2007 Hoadley D12/115
7,318,530 B2 * 1/2008 Loch A63C 11/02

* cited by examiner

Primary Examiner — George D Kirschbaum

Assistant Examiner — Clese Moore, Jr.

(74) *Attorney, Agent, or Firm* — McAndrews, Held & Malloy, Ltd.

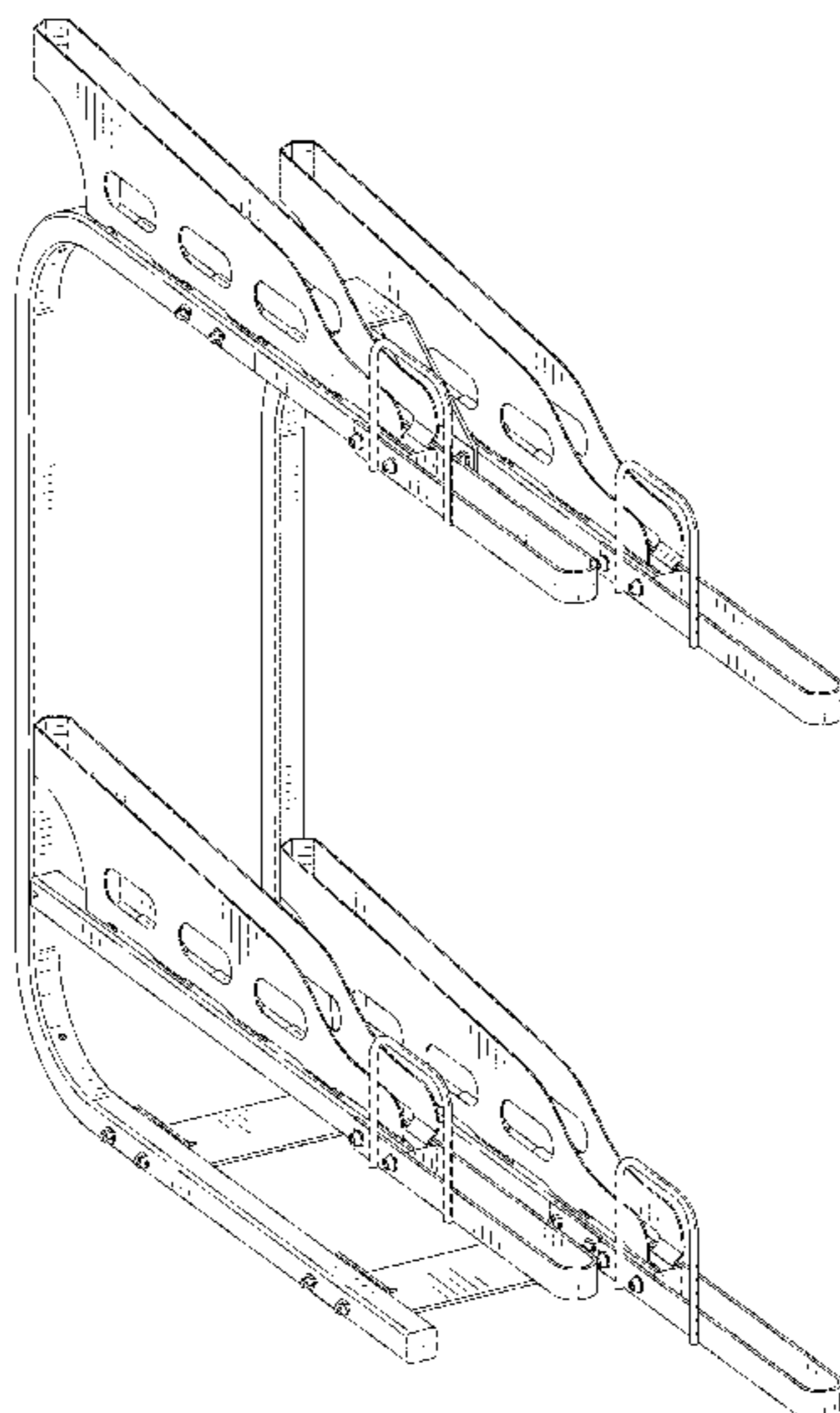
(57) **CLAIM**

The ornamental design for a bicycle storage system, as shown and described.

DESCRIPTION

FIG. 1 is top, front, left side perspective view of a bicycle storage system showing my new design;
FIG. 2 is a left side elevational view thereof;
FIG. 3 is a right side elevational view thereof;
FIG. 4 is a front elevational view thereof;
FIG. 5 is a back elevational view thereof;
FIG. 6 is a top plan view thereof;
FIG. 7 is a top, front, left side perspective view thereof, including unclaimed environmental features;
FIG. 8 is a top, front, left side perspective view thereof, including additional unclaimed features; and,
FIG. 9 is top, front, left side perspective view thereof, including additional unclaimed features.
The broken lines depict environment that form no part of the claimed design.

1 Claim, 8 Drawing Sheets



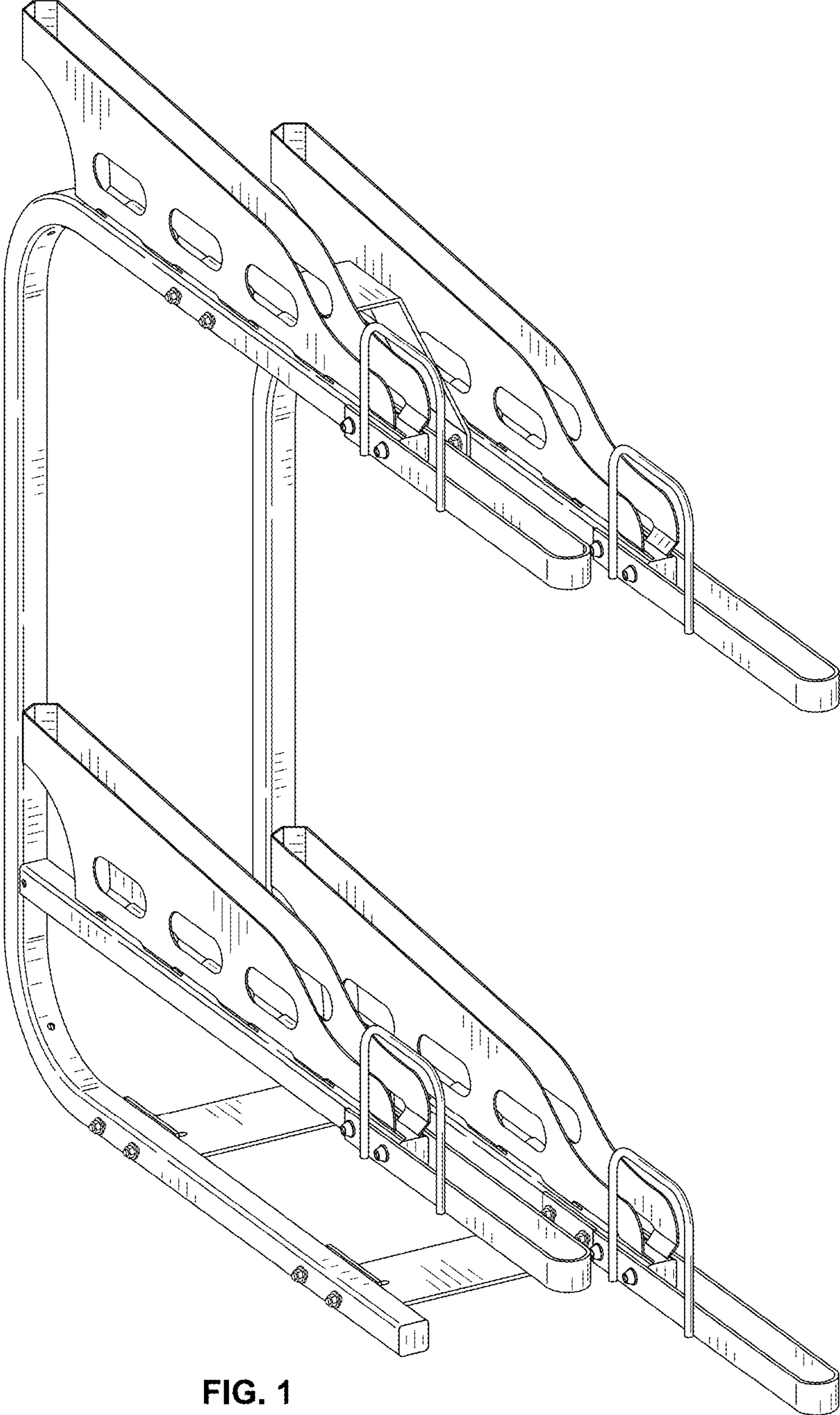


FIG. 1

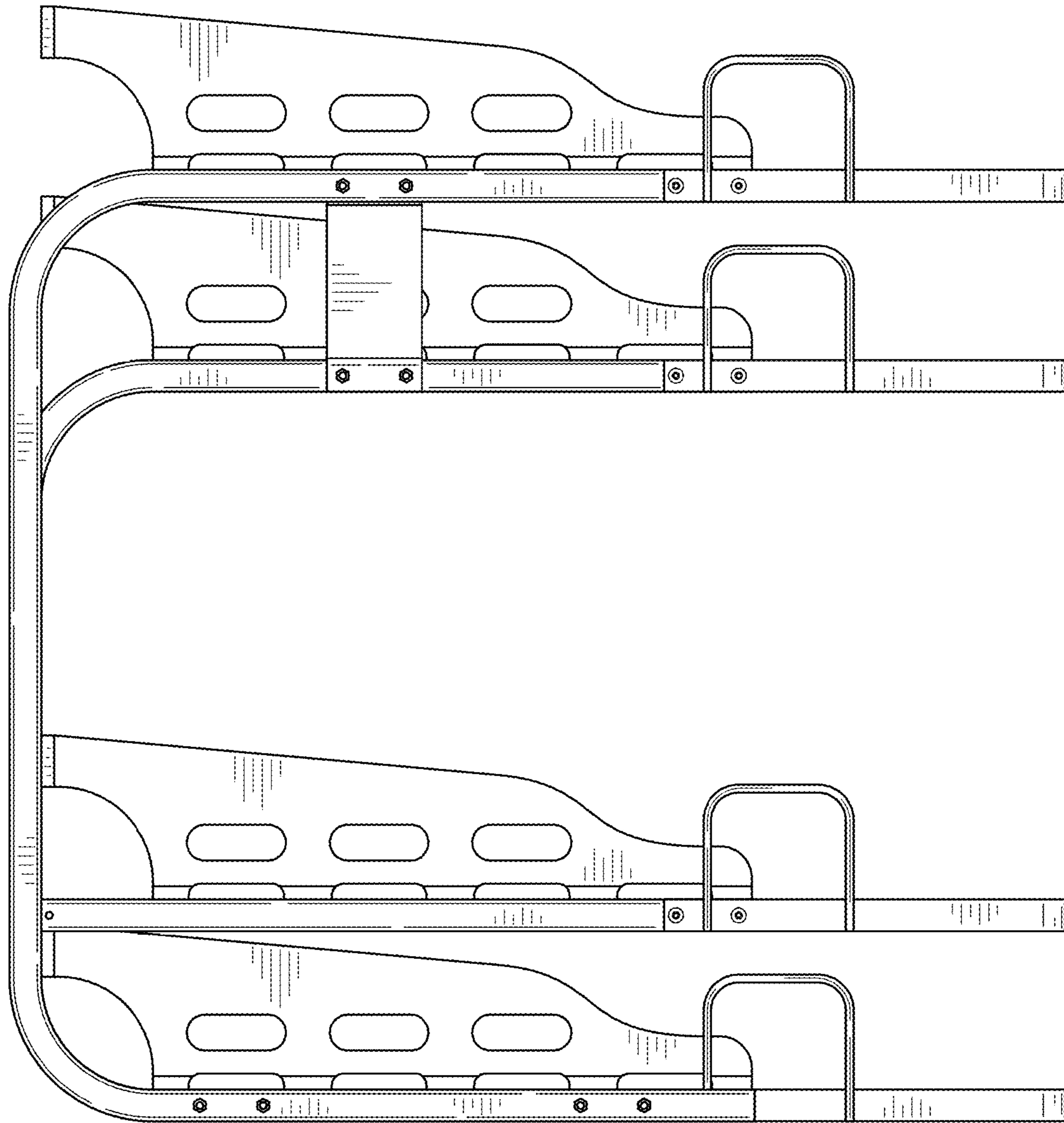


FIG. 2

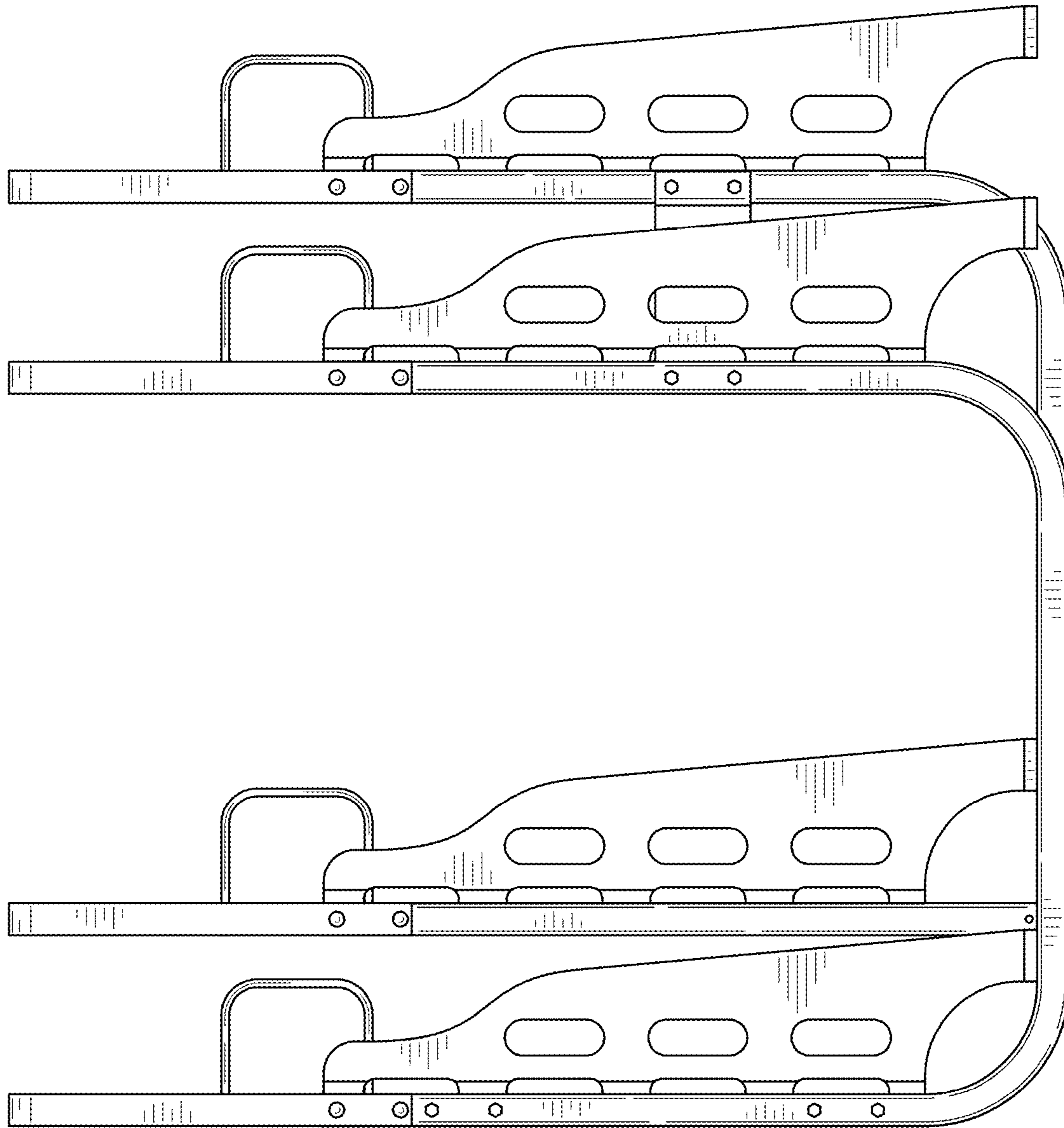


FIG. 3

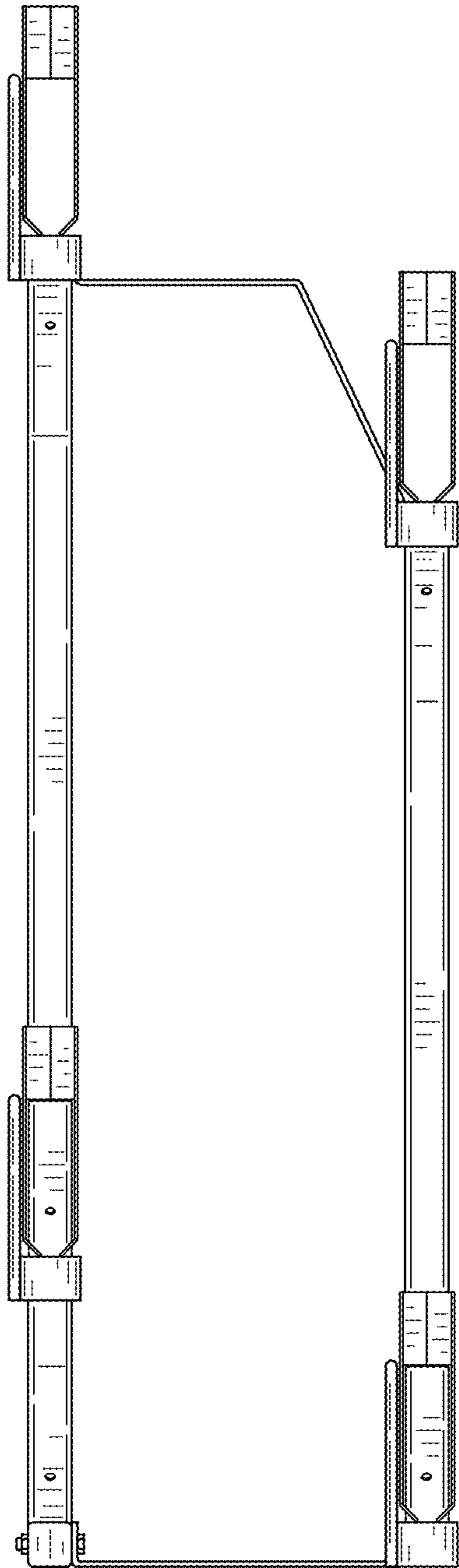


FIG. 4

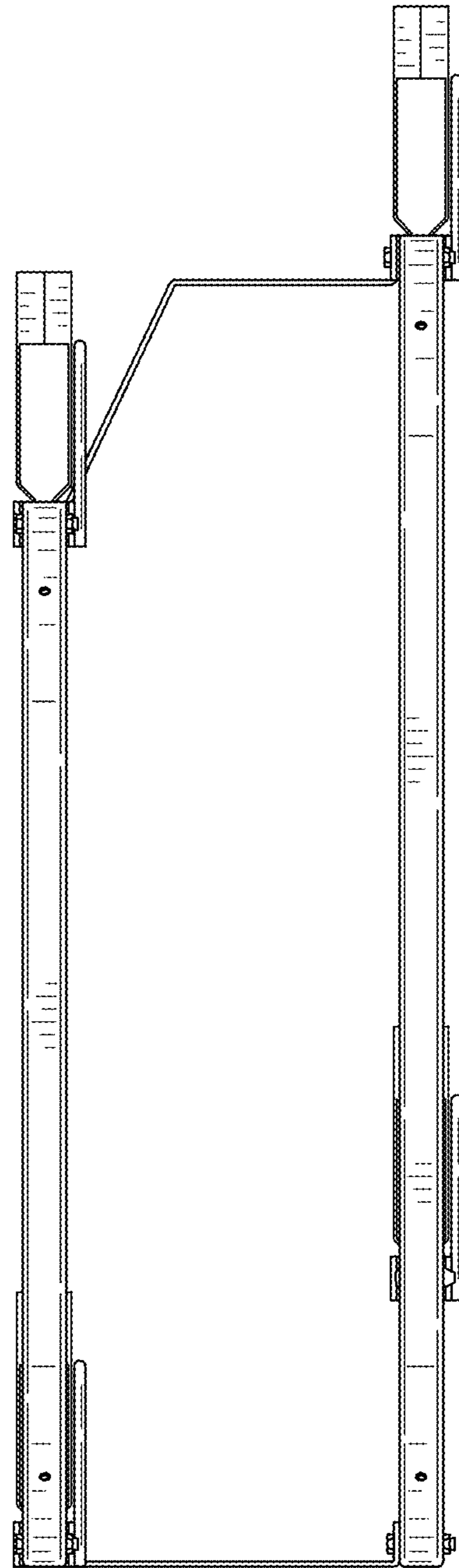


FIG. 5

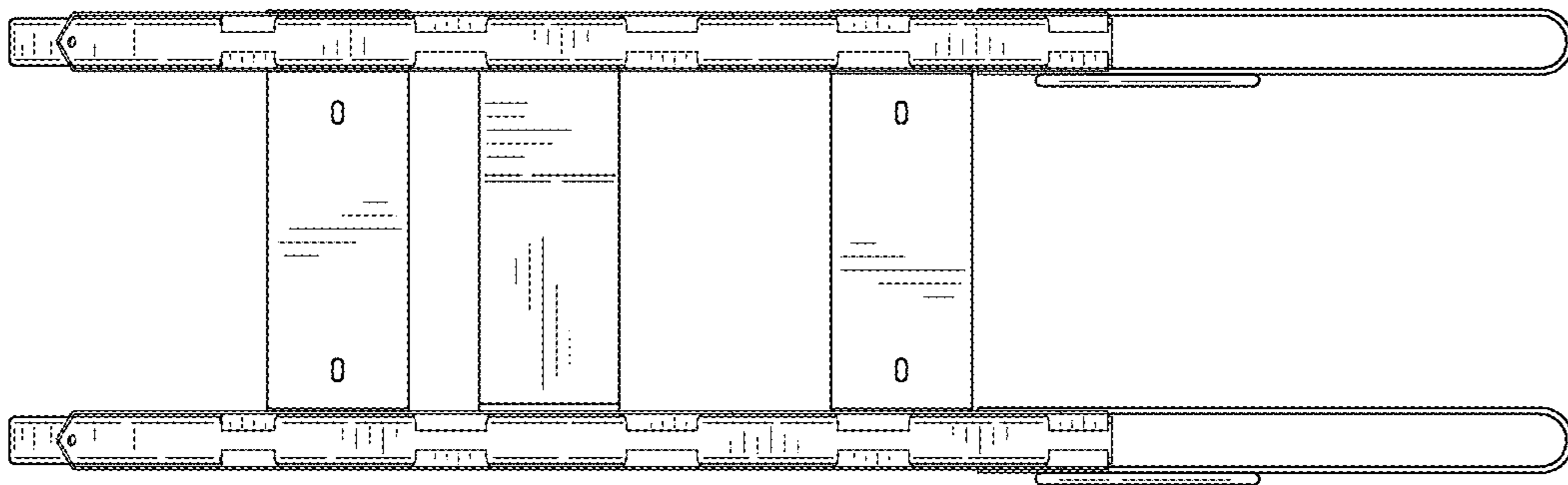


FIG. 6

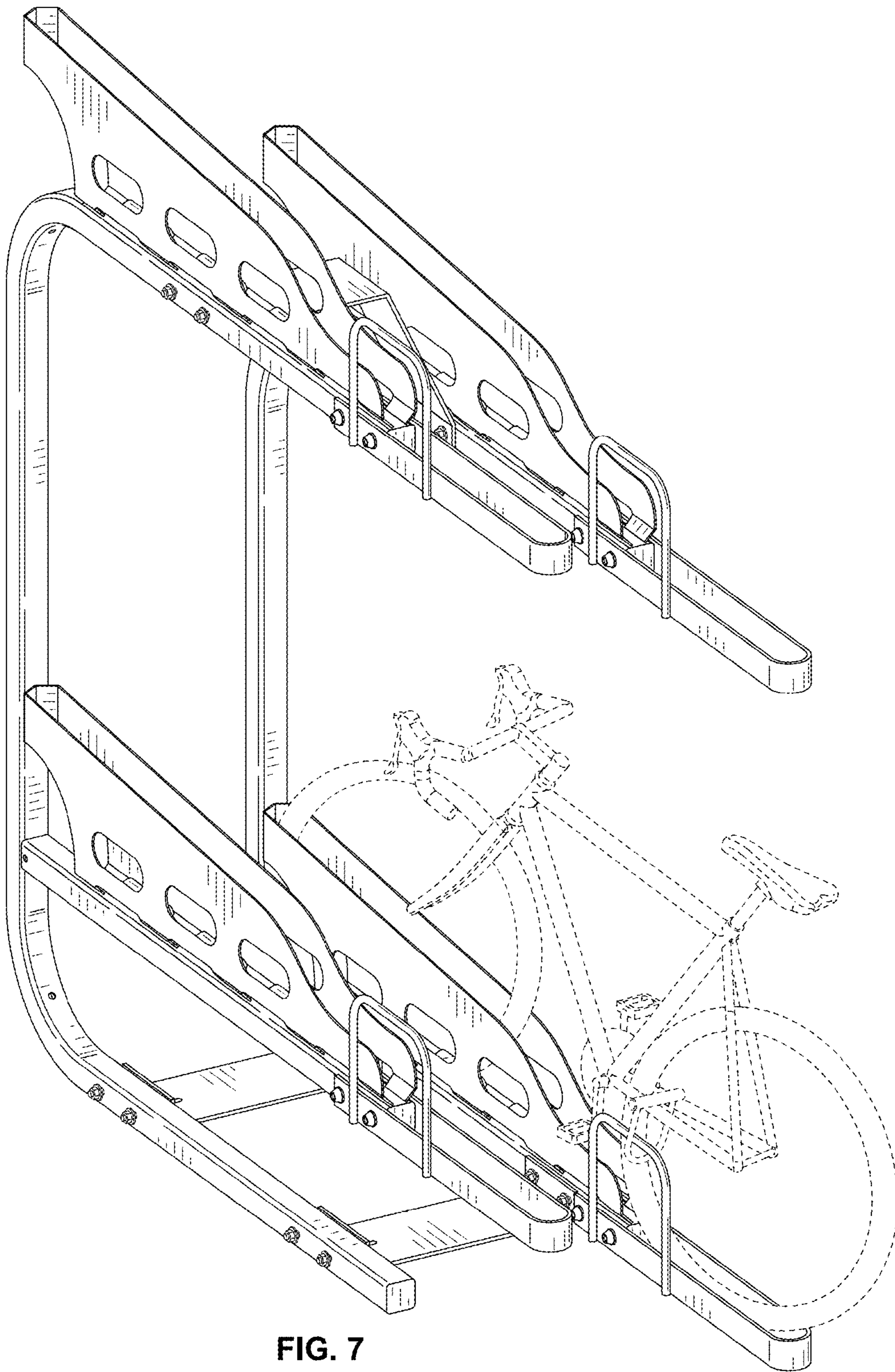


FIG. 7

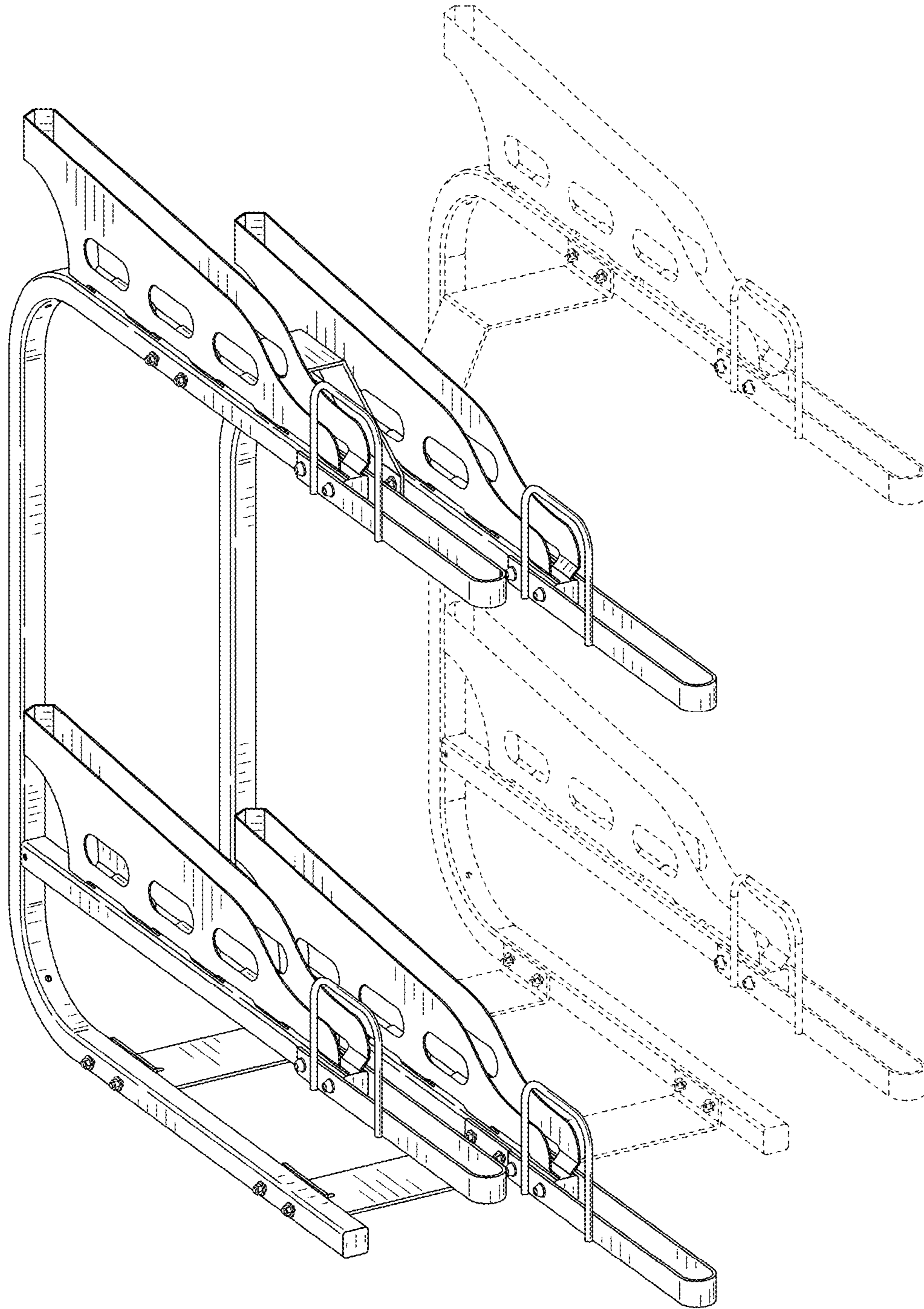


FIG. 8

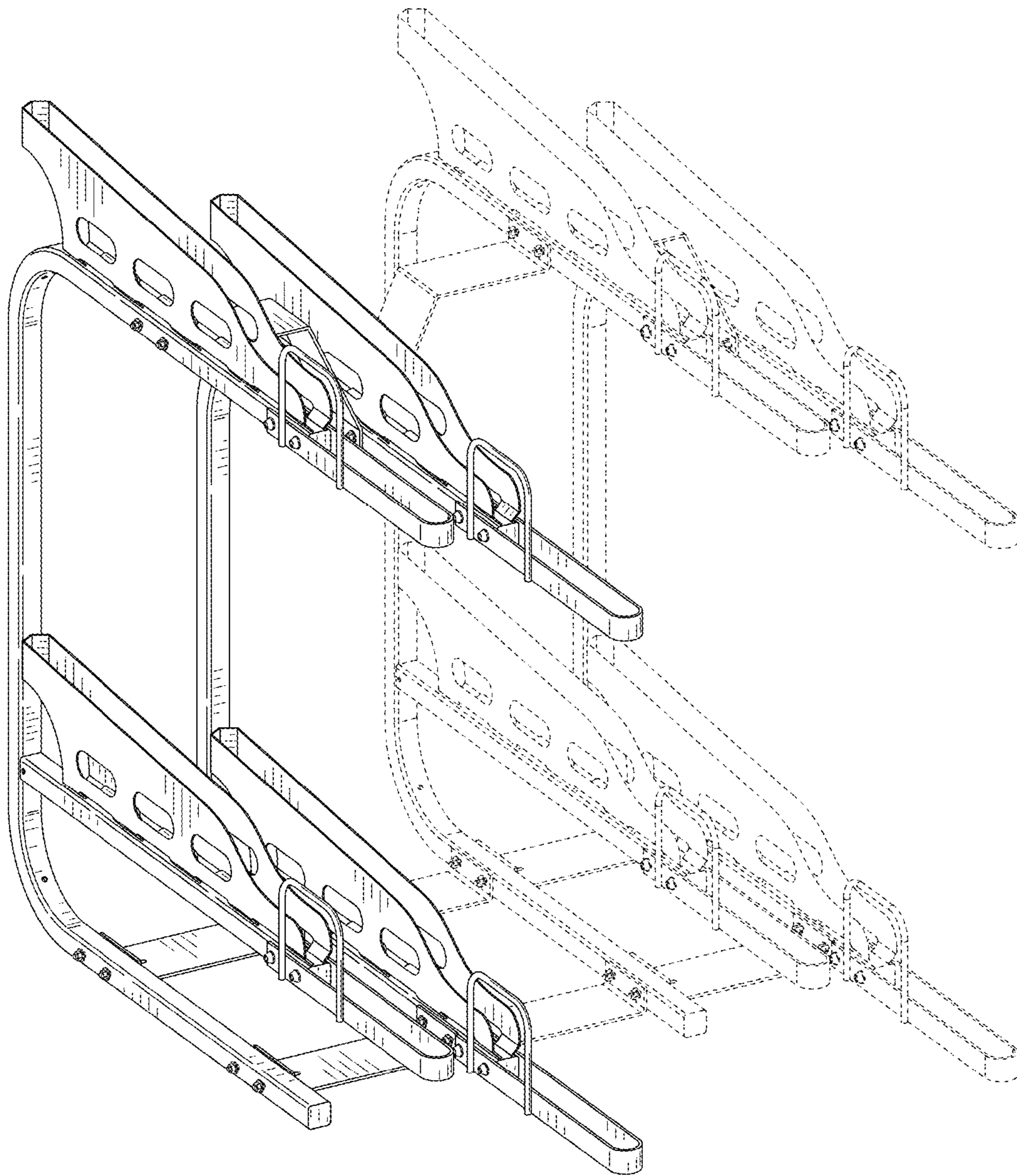


FIG. 9