

US00D768544S

(12) **United States Design Patent**  
**Wen**

(10) **Patent No.:** **US D768,544 S**

(45) **Date of Patent:** **\*\* Oct. 11, 2016**

(54) **BICYCLE FRAME SECTION EXTERIOR**

(71) Applicant: **Wen-chieh Wen**, Auckland (NZ)

(72) Inventor: **Wen-chieh Wen**, Auckland (NZ)

(\*\*) Term: **14 Years**

(21) Appl. No.: **29/526,307**

(22) Filed: **May 7, 2015**

(51) **LOC (10) Cl.** ..... **12-11**

(52) **U.S. Cl.**  
USPC ..... **D12/114; D12/111**

(58) **Field of Classification Search**  
USPC ..... D12/111, 117; 280/274–280, 281.1,  
280/283–288, 288.1–288.4  
CPC ..... B62K 3/00; B62K 3/005; B62K 9/00;  
B62K 19/00; B62K 19/02; B62K 19/04;  
B62K 19/06; B62K 19/16  
See application file for complete search history.

(56) **References Cited**

**U.S. PATENT DOCUMENTS**

D263,457 S \* 3/1982 Janning, Jr. .... D12/114  
D276,601 S \* 12/1984 Smith ..... D12/114  
D343,599 S \* 1/1994 Camfield ..... D12/11

D359,467 S \* 6/1995 Hsieh ..... D12/111  
D370,457 S \* 6/1996 Dietz ..... D12/402  
D375,282 S \* 11/1996 Lee ..... D12/111  
D376,123 S \* 12/1996 Camfield ..... D12/111  
D383,100 S \* 9/1997 Lee ..... D12/111  
D396,434 S \* 7/1998 Tseng ..... D12/111  
D409,528 S \* 5/1999 Huang ..... D12/111  
D423,415 S \* 4/2000 McKay ..... D12/114  
D523,380 S \* 6/2006 Auger ..... D12/111

\* cited by examiner

*Primary Examiner* — Philip S Hyder

*Assistant Examiner* — Darlington Ly

(74) *Attorney, Agent, or Firm* — Klarquist Sparkman,  
LLP

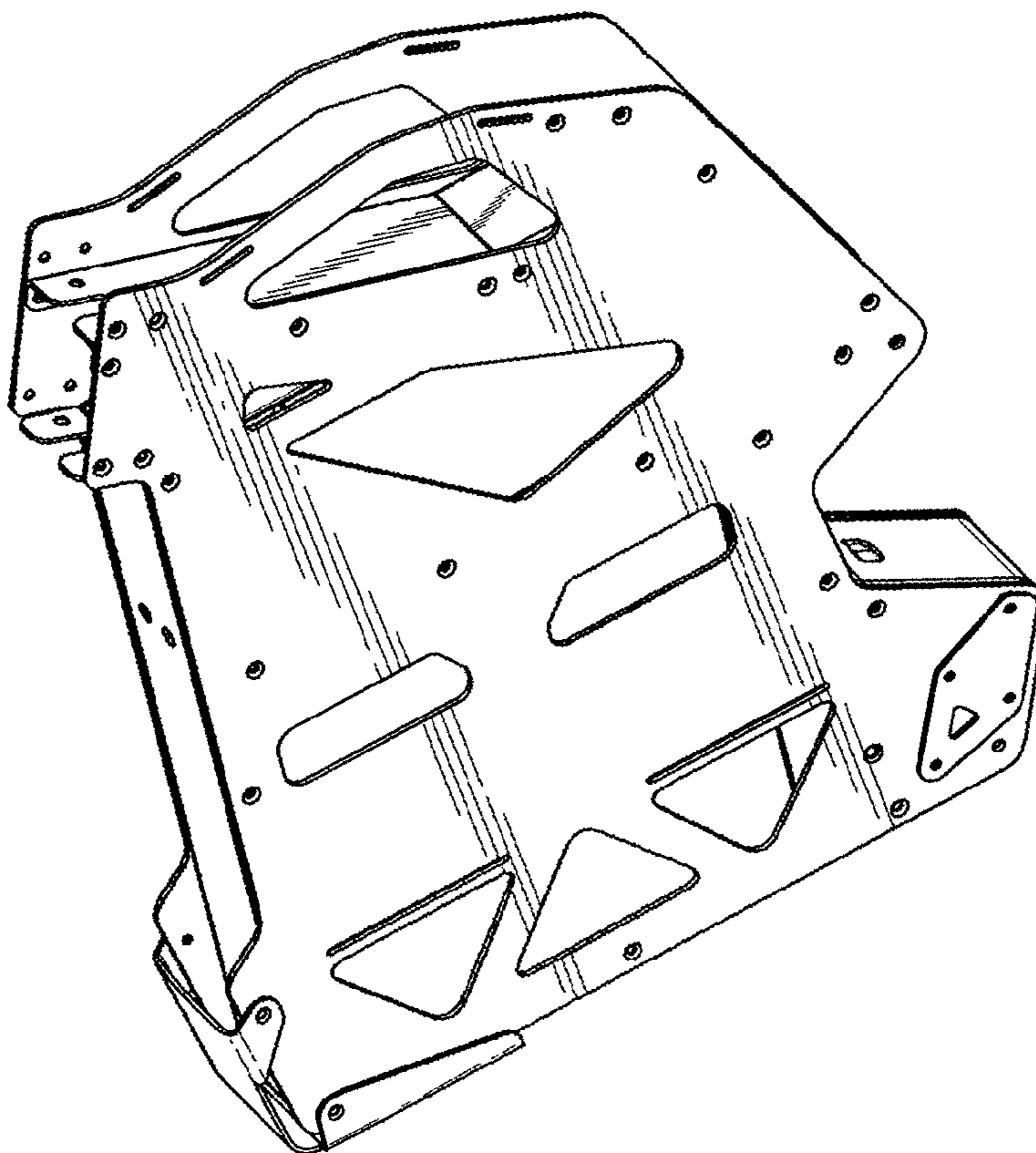
(57) **CLAIM**

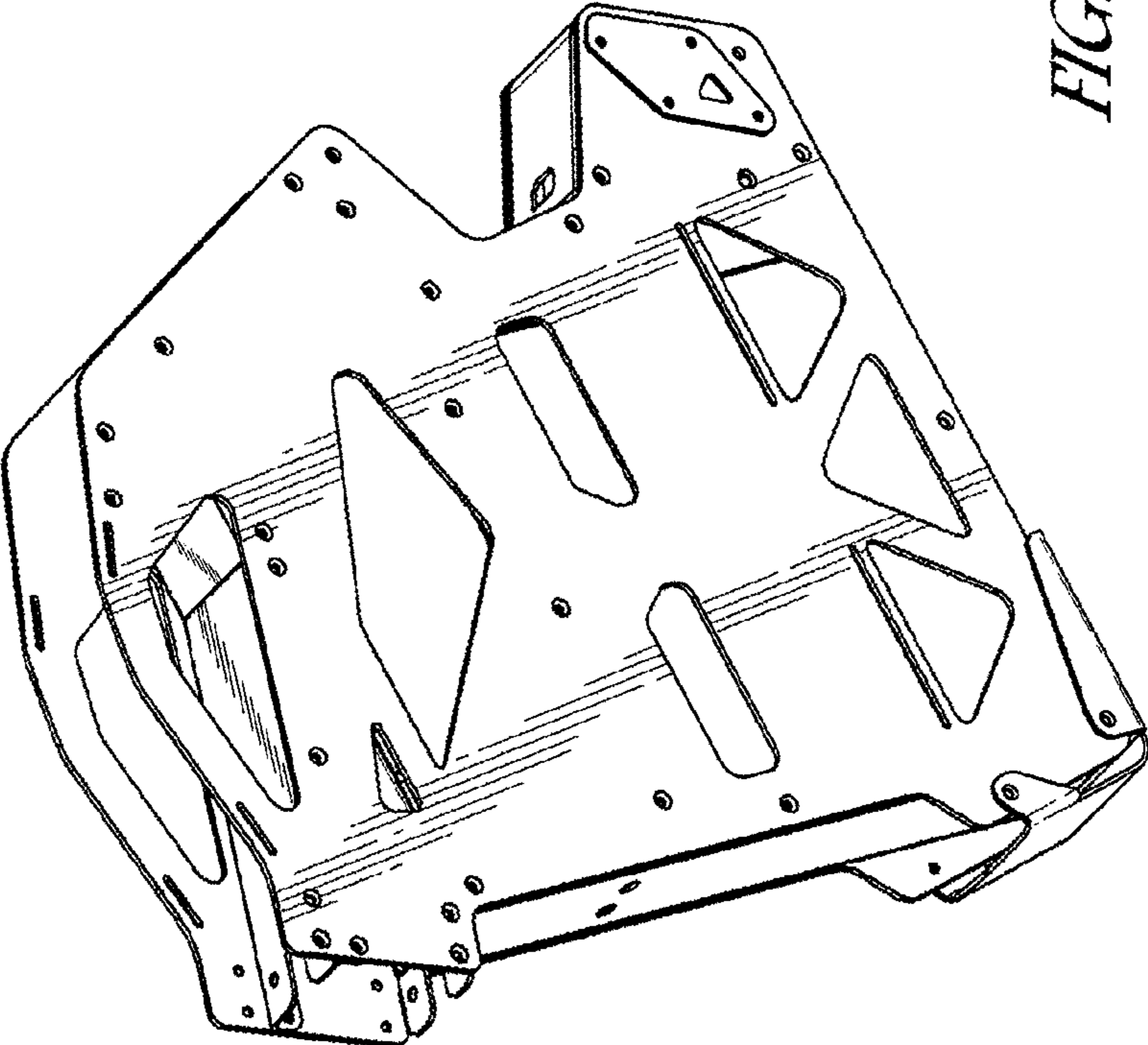
The ornamental design for a bicycle frame section exterior,  
as shown and described.

**DESCRIPTION**

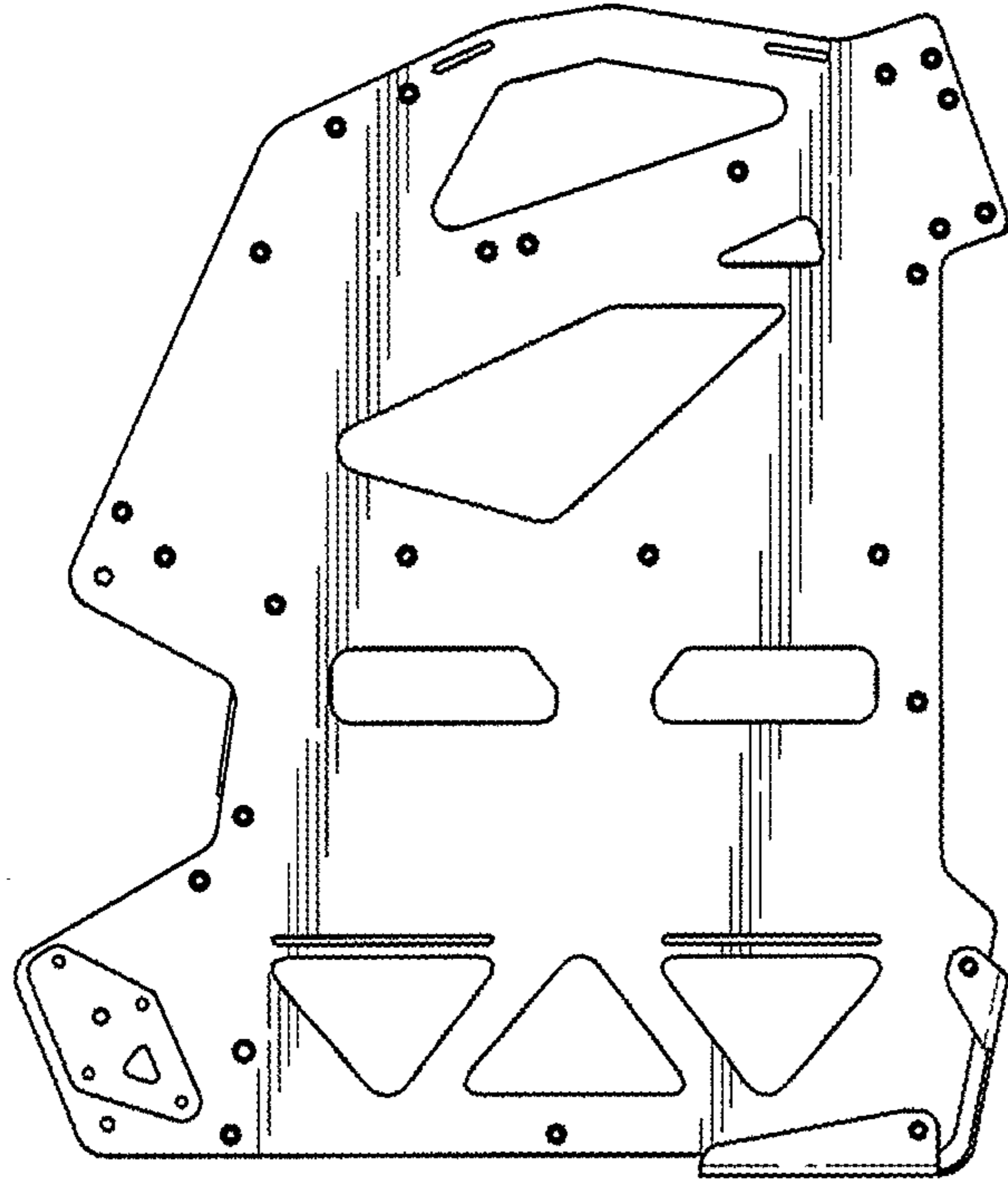
FIG. 1 is a perspective view of a bicycle frame section exterior showing my new design;  
FIG. 2 is a right side elevation view thereof;  
FIG. 3 is a left side elevation view thereof;  
FIG. 4 is a top plan view thereof;  
FIG. 5 is bottom plan thereof; and,  
FIG. 6 is front elevation view thereof.

**1 Claim, 4 Drawing Sheets**

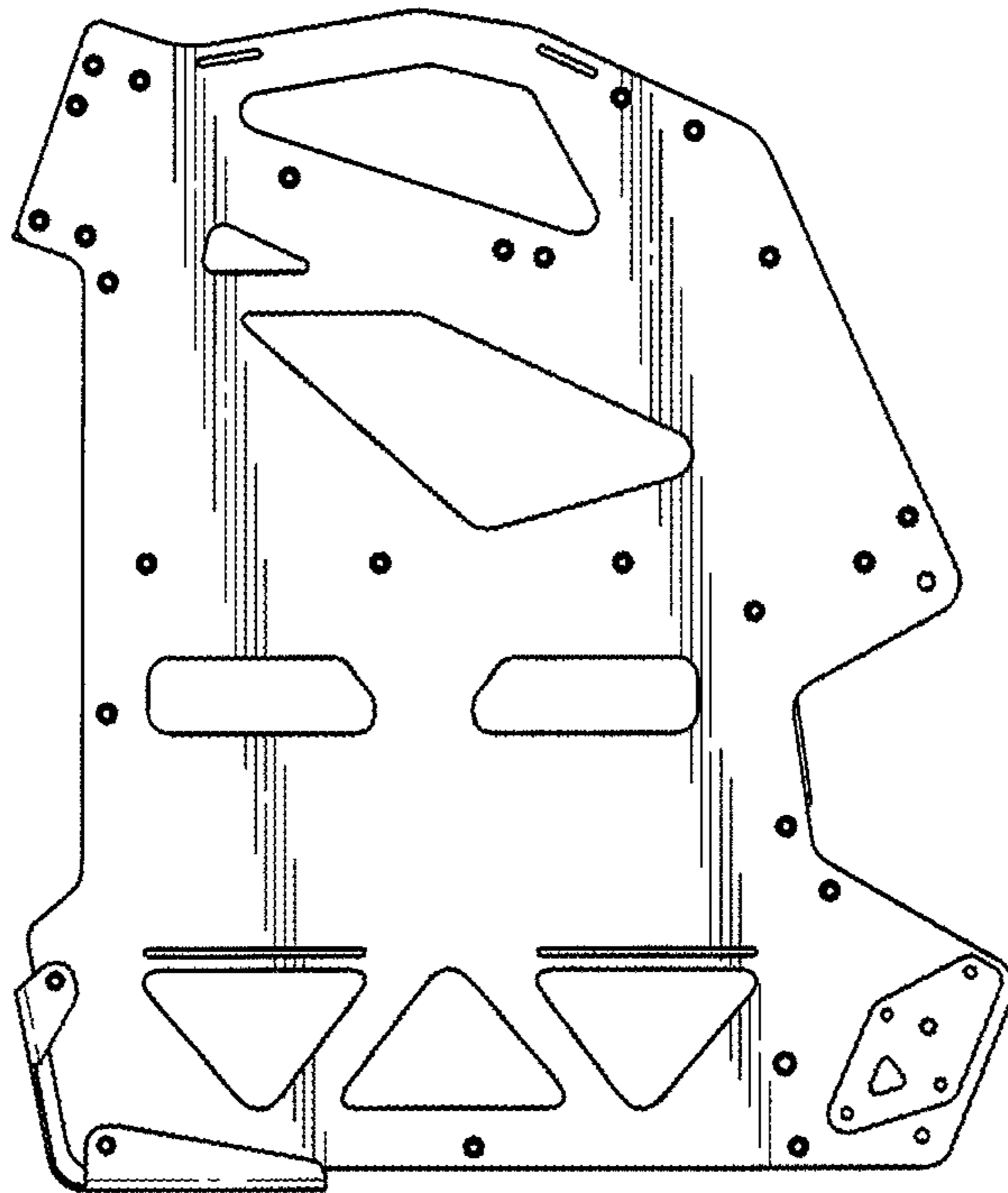




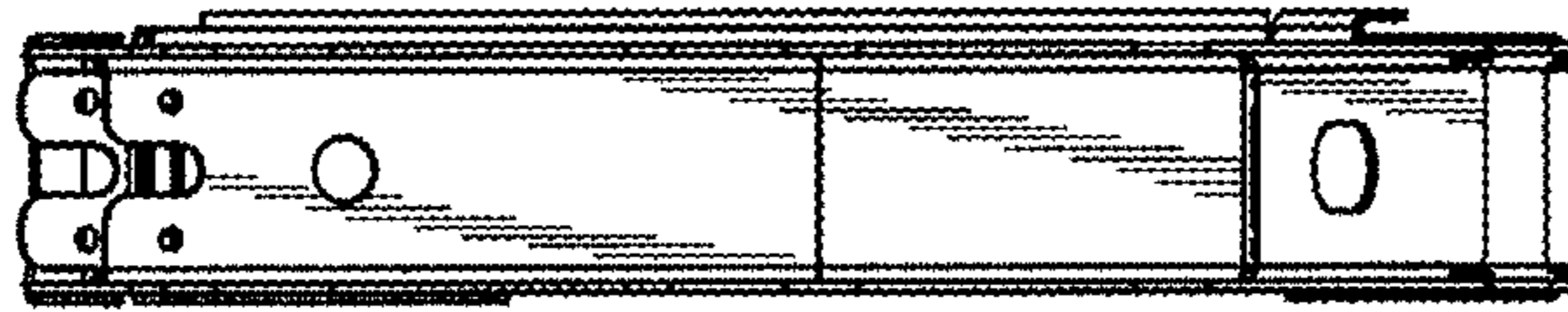
*FIG. 1*



*FIG. 2*



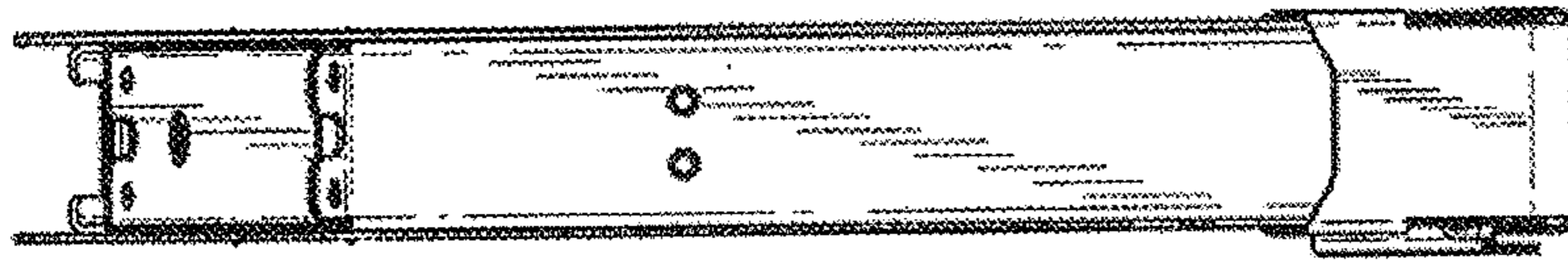
*FIG. 3*



*FIG. 4*



*FIG. 5*



*FIG. 6*