



US00D768543S

(12) **United States Design Patent** (10) **Patent No.:** **US D768,543 S**
Ormsbee et al. (45) **Date of Patent:** **** Oct. 11, 2016**

(54) **HANDLEBAR MOUNT**
(71) Applicant: **Nite Ize, Inc.**, Boulder, CO (US)
(72) Inventors: **Bowden Ormsbee**, Longmont, CO (US); **Rex W. Stevens**, Longmont, CO (US)

2012/0080465 A1 4/2012 Son
2012/0210821 A1* 8/2012 Carlini B62K 21/12
74/551.8
2012/0304804 A1* 12/2012 Ferguson B62K 21/14
74/551.2
2014/0268710 A1 9/2014 Murano et al.
2016/0016633 A1* 1/2016 Thompson B62K 15/008
74/551.4

(73) Assignee: **NITE IZE, INC.**, Boulder, CO (US)
(**) Term: **14 Years**

FOREIGN PATENT DOCUMENTS

CN 203548503 U 4/2014
DE 202012104592 U1 2/2013

(21) Appl. No.: **29/513,760**
(22) Filed: **Jan. 5, 2015**
(51) **LOC (10) Cl.** **12-11**
(52) **U.S. Cl.**
USPC **D12/114**
(58) **Field of Classification Search**
USPC D12/114, 174, 178, 223, 111; D8/349
CPC B62K 15/08; B62K 21/16; B62K 25/02
See application file for complete search history.

OTHER PUBLICATIONS

International Search Report in co-pending PCT Application No. PCT/US16/12041 dated Mar. 30, 2016 (3 pages).
Starlight 78 Bicycle Lighting System, Flashlight Type Lights, Jul. 16, 2008 (online) (retrieved Feb. 14, 2016); retrieved from Internet address <URL:http://nordicgroup.us/s78/flashlights.html>.

* cited by examiner

Primary Examiner — George D Kirschbaum
Assistant Examiner — Clese Moore, Jr.
(74) *Attorney, Agent, or Firm* — Haynes and Boone, LLP; Robert P. Ziemian

(56) **References Cited**

U.S. PATENT DOCUMENTS

5,487,497 A * 1/1996 Kwiatkowski B62J 7/06
224/420
5,605,394 A 2/1997 Chen
D396,835 S * 8/1998 Roddy D12/114
D443,562 S * 6/2001 Okada D12/114
6,305,241 B1 * 10/2001 Masui B62J 11/00
224/420
6,584,872 B1 * 7/2003 Kojima B62J 99/00
74/551.3
D478,847 S * 8/2003 Ratto D12/114
D509,464 S * 9/2005 Conte D12/174
D647,434 S * 10/2011 Chambers D12/114
D674,322 S * 1/2013 Hilgart D12/114
2002/0034073 A1 3/2002 Halasz
2005/0116442 A1* 6/2005 Law B62K 11/14
280/279
2007/0296179 A1* 12/2007 Orr B62J 11/00
280/288.4
2011/0049206 A1 3/2011 Liao et al.

(57) **CLAIM**
The ornamental design for a handlebar mount, as shown and described.

DESCRIPTION

FIG. 1 is a front perspective view of a handlebar mount; FIG. 2 is a rear perspective view of the handlebar mount of FIG. 1; FIG. 3 is a top view of the handlebar mount of FIG. 1; FIG. 4 is a bottom view of the handlebar mount of FIG. 1; FIG. 5 is a front view of the handlebar mount of FIG. 1; FIG. 6 is a rear view of the handlebar mount of FIG. 1; FIG. 7 is a left side view of the handlebar mount of FIG. 1; and, FIG. 8 is a right side view of the handlebar mount of FIG. 1.

1 Claim, 5 Drawing Sheets

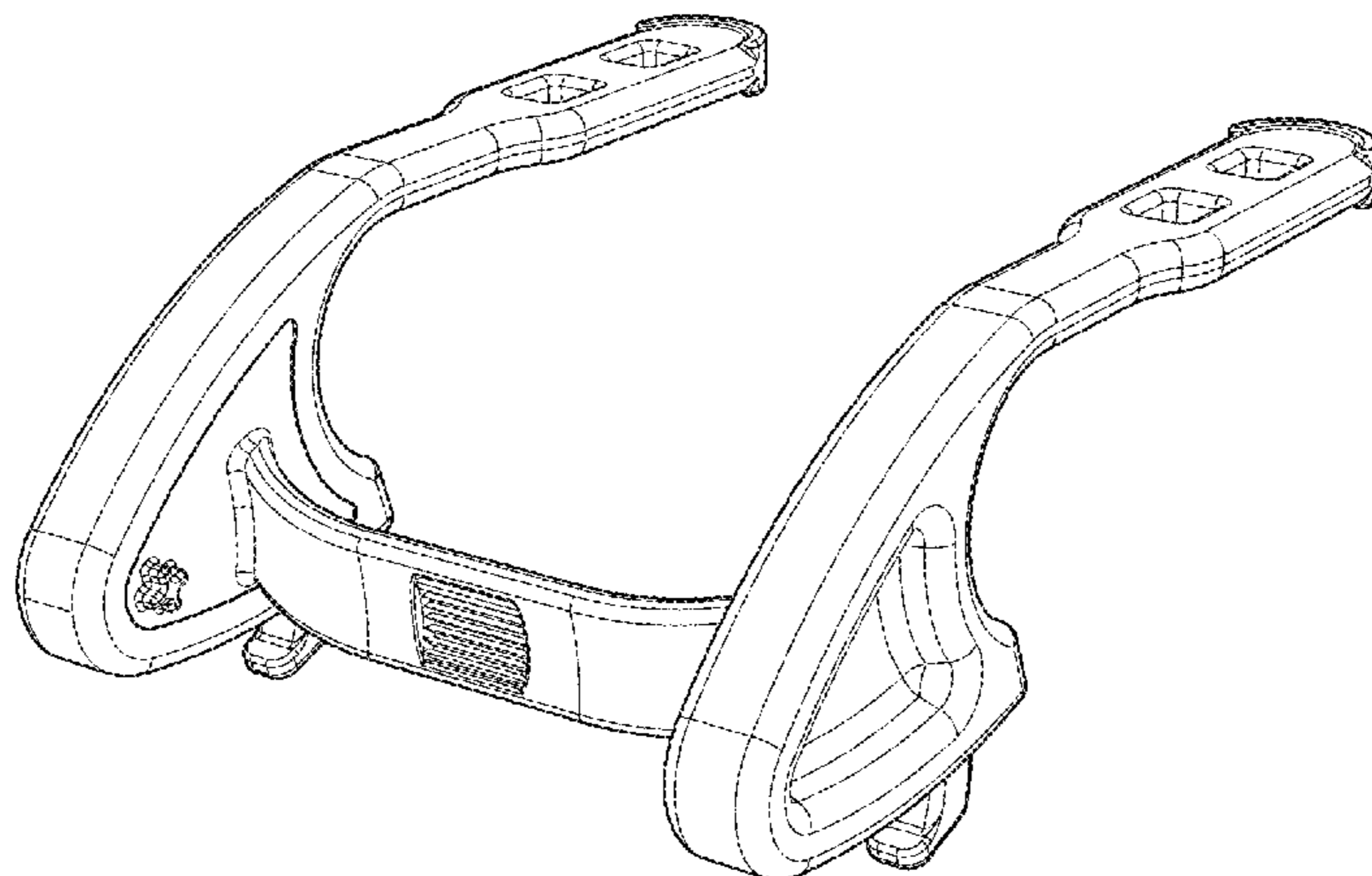


FIG. 1

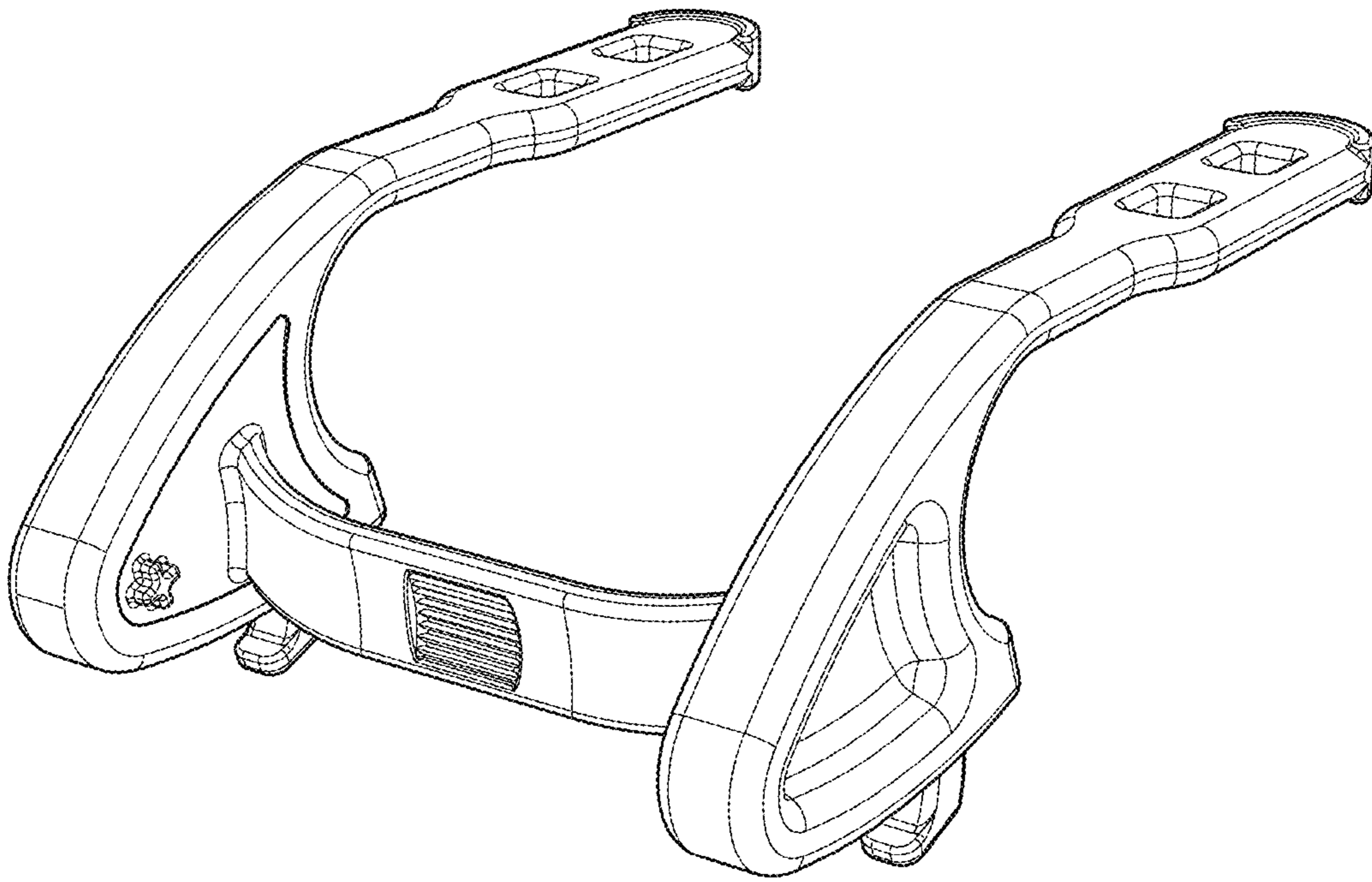


FIG. 2

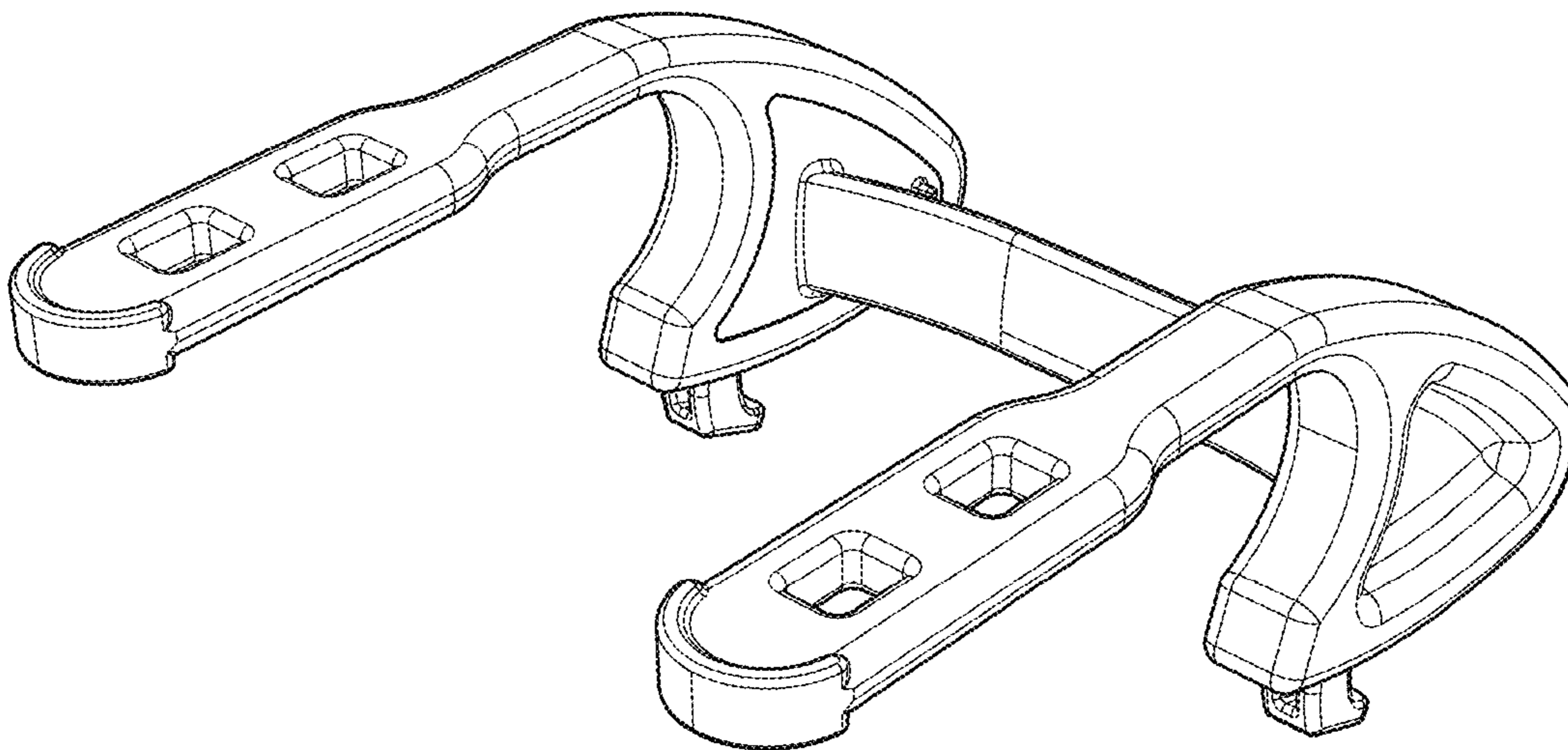


FIG. 3

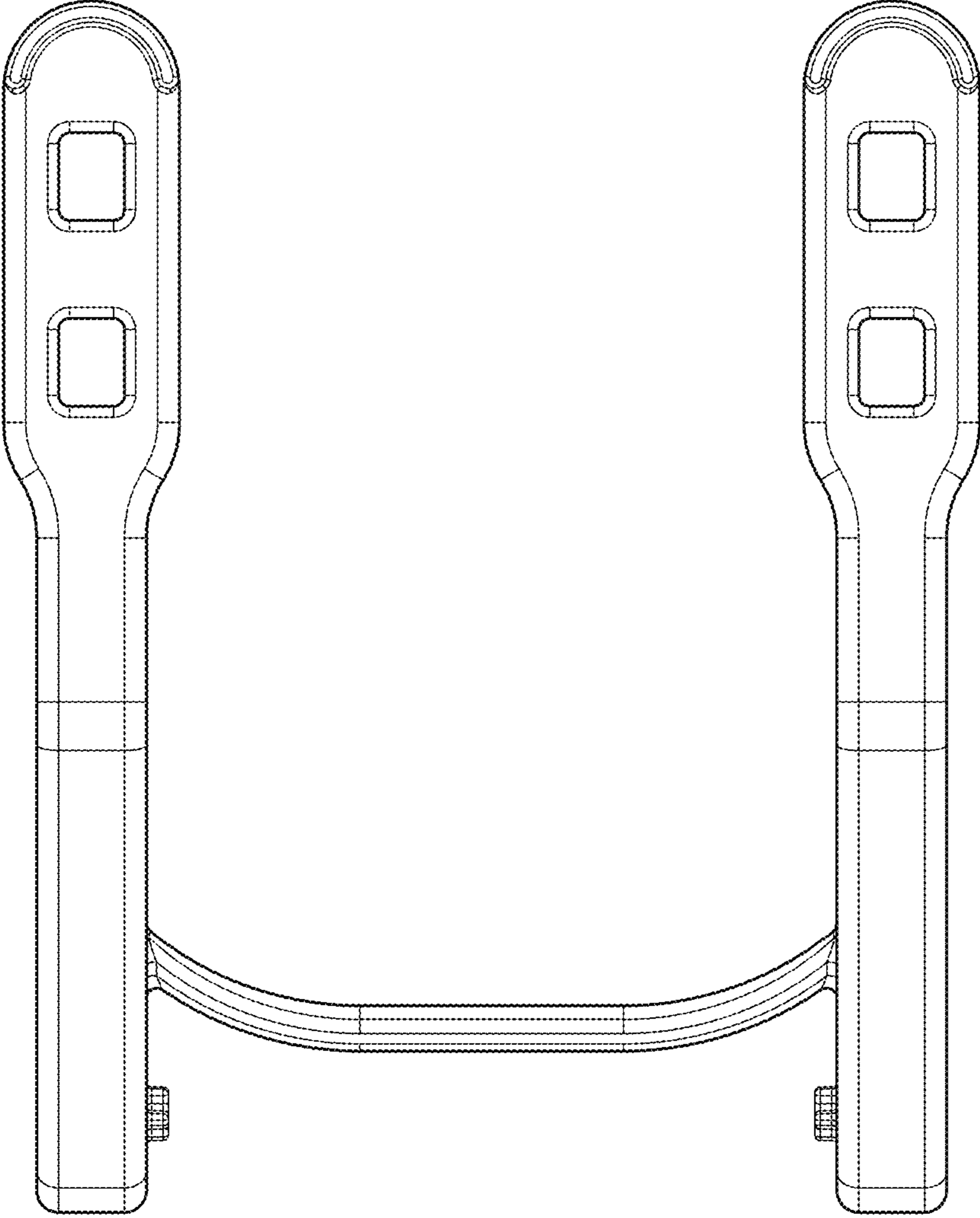


FIG. 4

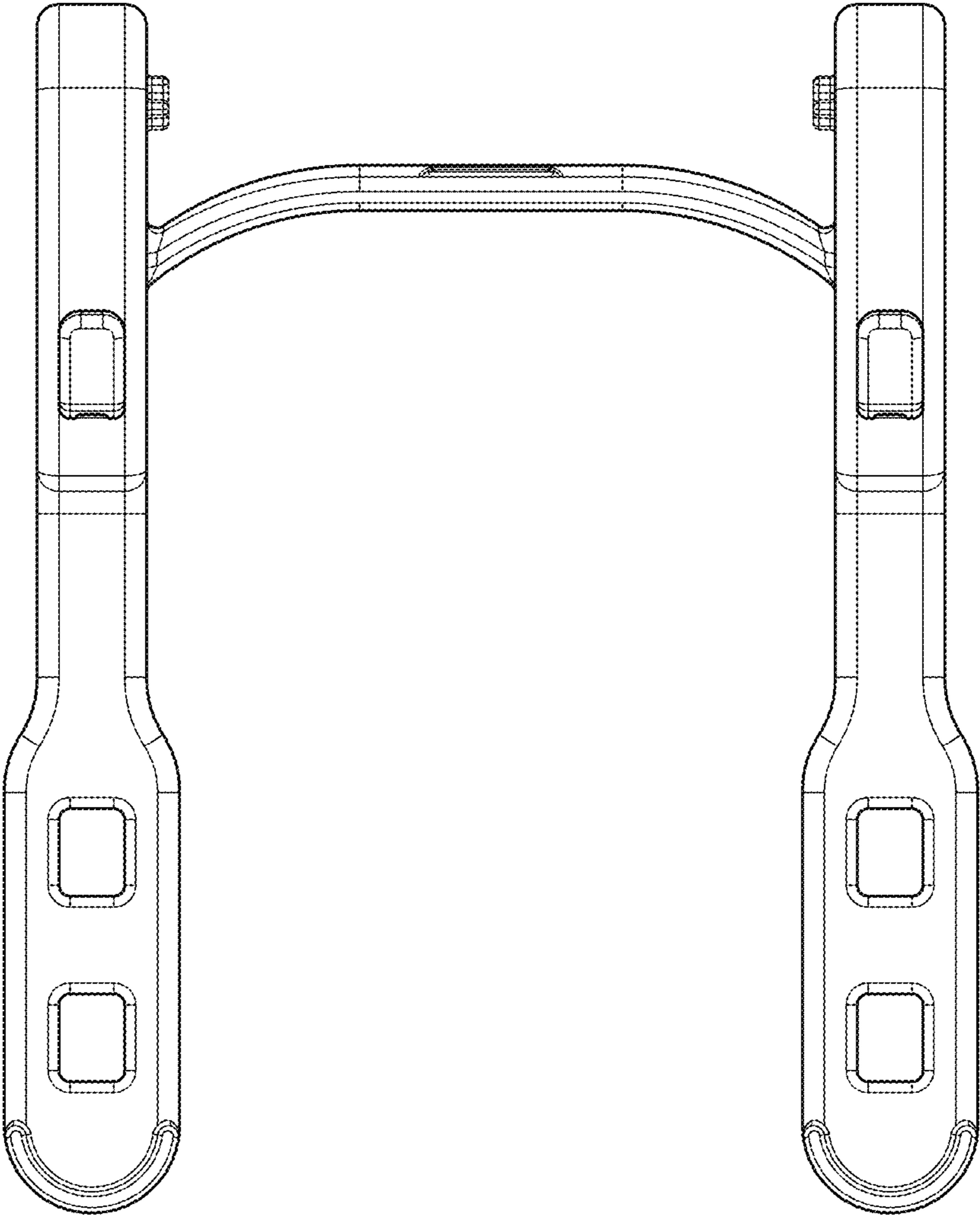


FIG. 5

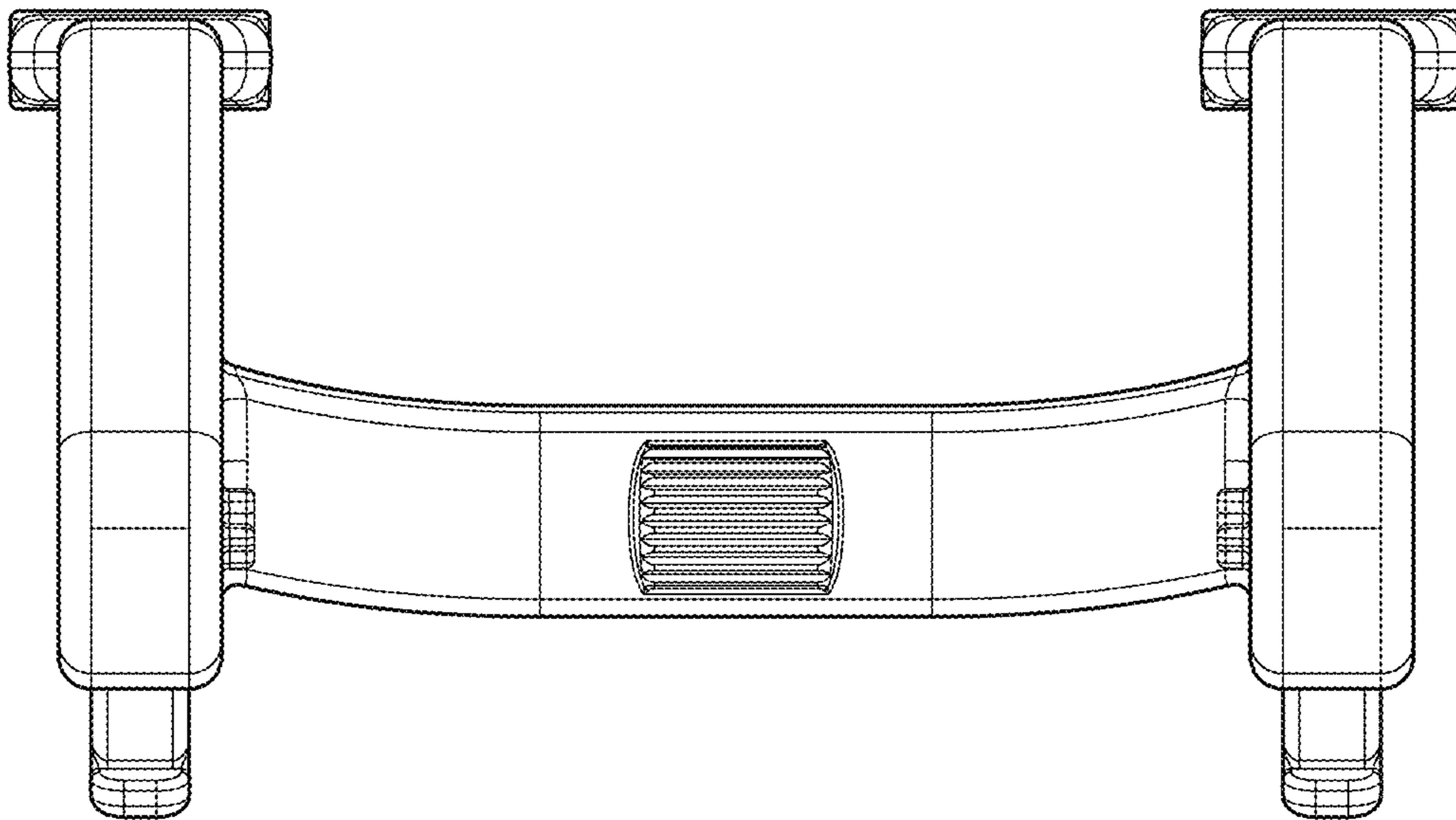


FIG. 6

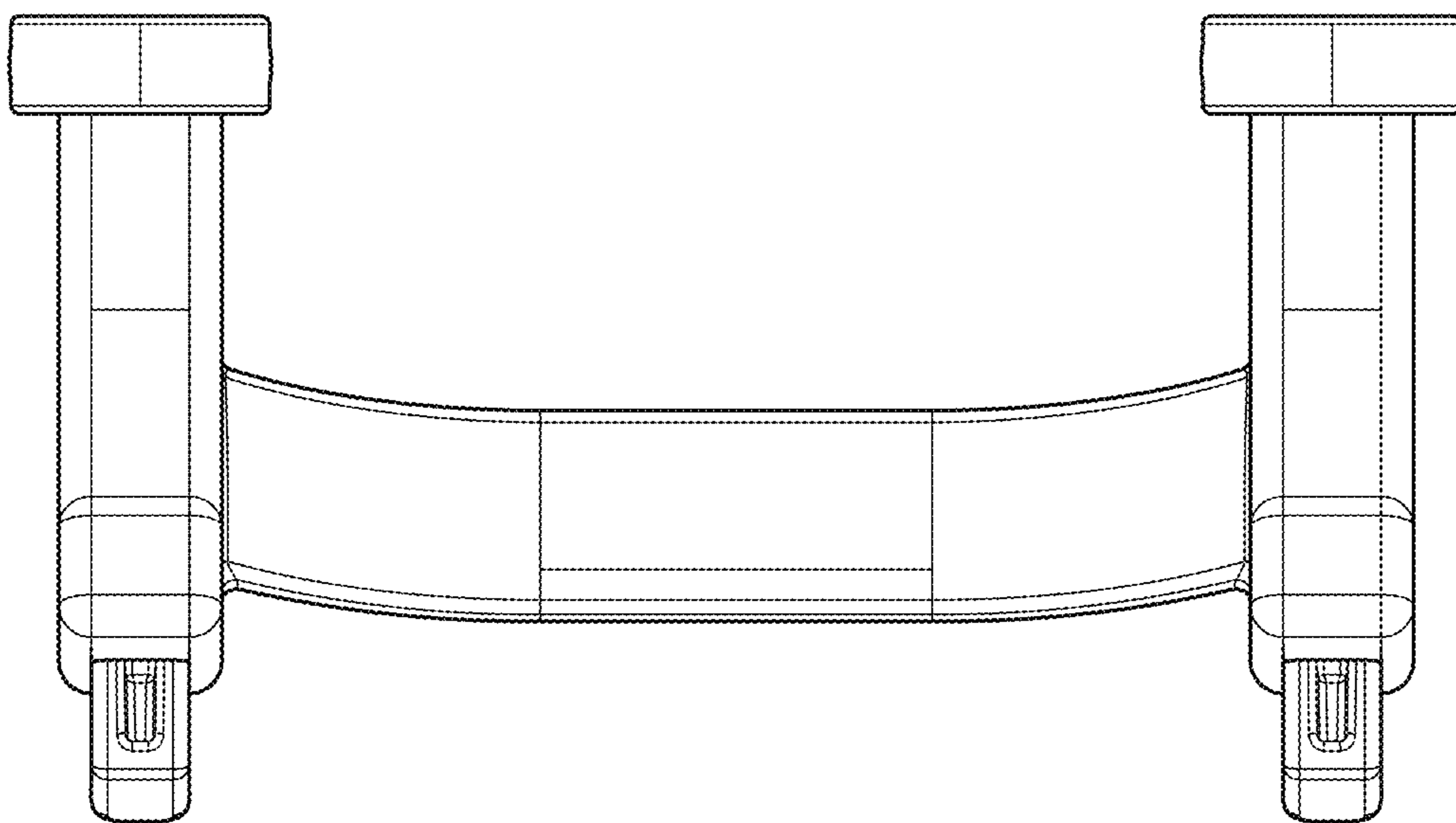


FIG. 7

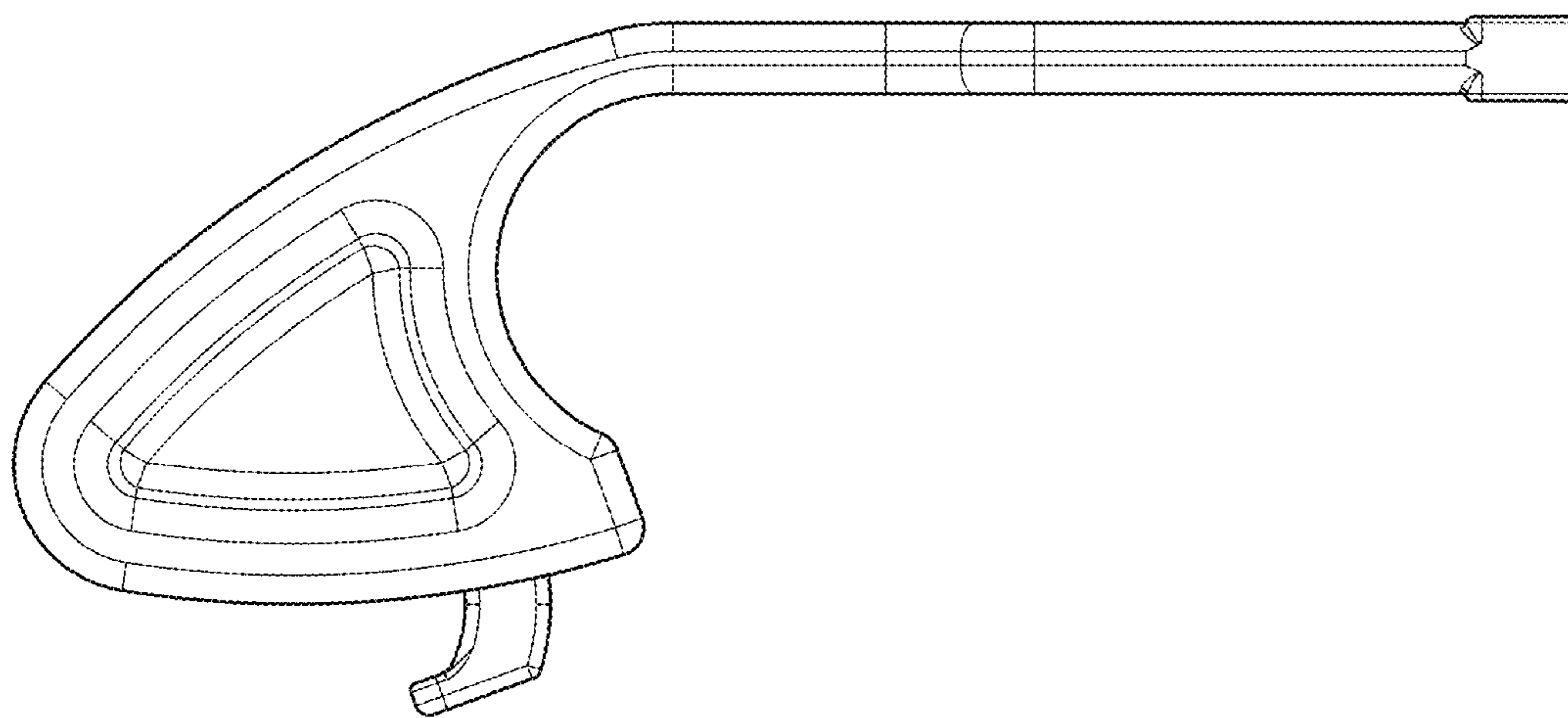


FIG. 8

