



US00D768542S

(12) **United States Design Patent**
Kawakami

(10) **Patent No.:** **US D768,542 S**
(45) **Date of Patent:** **** *Oct. 11, 2016**

(54) **DEVICE FOR ATTACHING LAMP FOR BICYCLE**

(71) Applicant: **Cateye Company, Ltd.**, Osaka (JP)

(72) Inventor: **Kenta Kawakami**, Osaka (JP)

(73) Assignee: **Cateye Co., Ltd.**, Osaka (JP)

(*) Notice: This patent is subject to a terminal disclaimer.

(**) Term: **14 Years**

(21) Appl. No.: **29/475,985**

(22) Filed: **Dec. 10, 2013**

(30) **Foreign Application Priority Data**

Jun. 14, 2013 (JP) 2013-013471

(51) **LOC (10) Cl.** **12-11**

(52) **U.S. Cl.**
USPC **D12/114; D12/223**

(58) **Field of Classification Search**
USPC D12/20, 42, 317, 106, 114, 115, 172,
D12/223, 400; D8/71, 106, 14, 306, 349,
D8/355, 382, 499, 303; D26/142, 145
CPC B62J 9/003; B62J 7/06; B62J 11/00;
B62J 2099/0033; B62J 2700/00; B62K 19/40
See application file for complete search history.

(56) **References Cited**

U.S. PATENT DOCUMENTS

D333,420 S * 2/1993 Bales et al. D8/349
5,577,297 A * 11/1996 Lautenschlager et al. 16/382
D393,826 S * 4/1998 Carter D12/223
D514,500 S * 2/2006 Schultz D12/317
D520,440 S * 5/2006 Lee D12/223

D611,801 S * 3/2010 Chustak D8/355
8,267,418 B1 * 9/2012 Chuang 280/279
D674,322 S * 1/2013 Hilgart et al. D12/114
D700,036 S * 2/2014 Oshima D8/323
2007/0108244 A1 * 5/2007 Chuang 224/420
2014/0061271 A1 * 3/2014 Tate 224/545

FOREIGN PATENT DOCUMENTS

DE 102006032834 A1 * 9/2007 B62J 9/003
DE 102007040738 A1 * 3/2009 B62J 2099/0033
TW 595693 6/2004
TW M310164 4/2007
TW D148481 8/2012
WO WO 2014107230 A1 * 7/2014 B62J 11/00

* cited by examiner

Primary Examiner — Sheryl Lane

Assistant Examiner — Ieisha Price

(74) *Attorney, Agent, or Firm* — Arnstein & Lehr, LLP

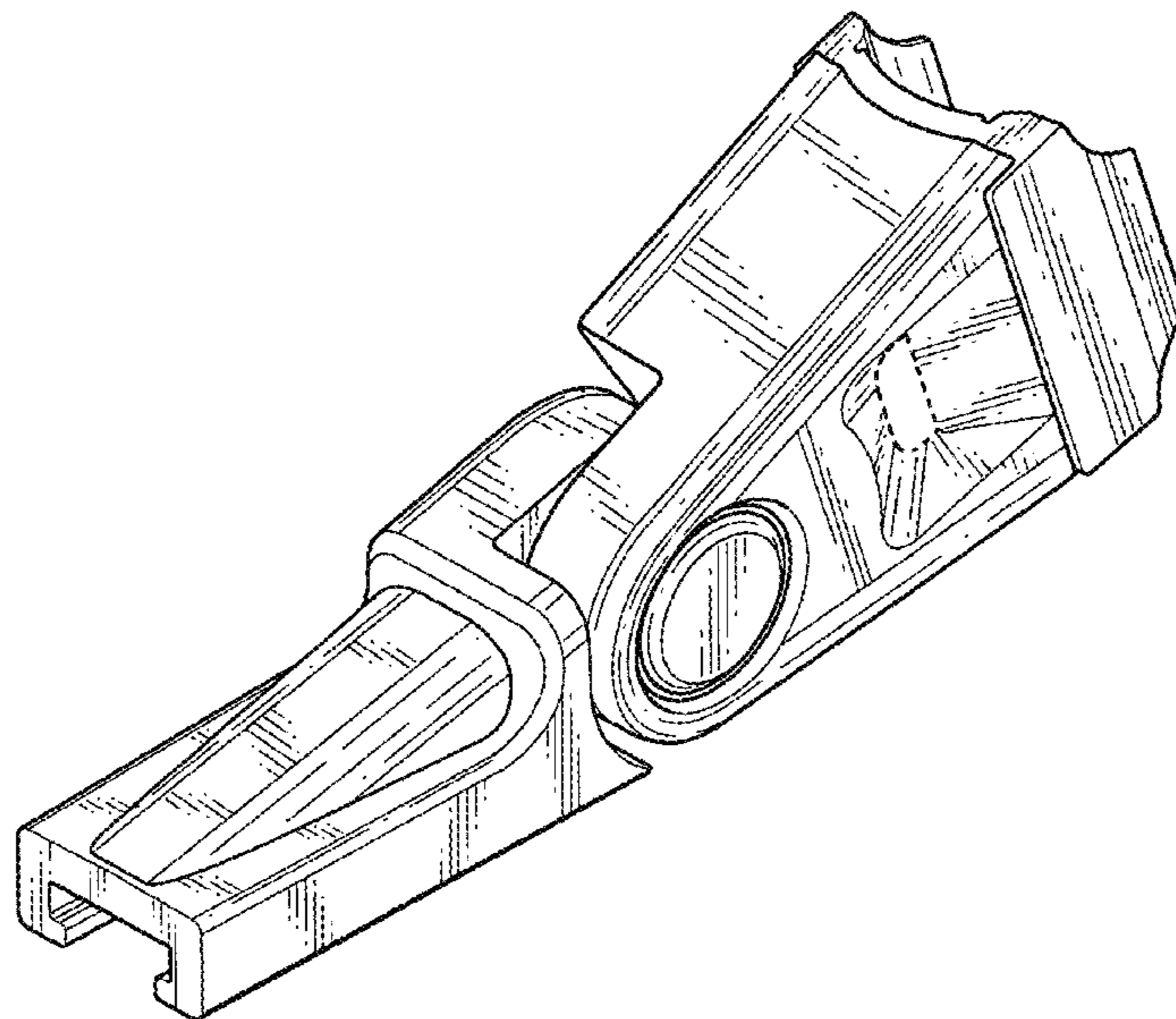
(57) **CLAIM**

The ornamental design for a device for attaching lamp for bicycle, as shown.

DESCRIPTION

FIG. 1 is a perspective view of a device for attaching lamp for bicycle showing my new design.
FIG. 2 is a front view thereof;
FIG. 3 is a rear view thereof;
FIG. 4 is a top plan view thereof;
FIG. 5 is a bottom plan view thereof;
FIG. 6 is a right side view thereof; and,
FIG. 7 is a left side view thereof.
The broken lines in the drawings illustrate portions of the device for attaching lamp for bicycle and form no part of the claimed design.

1 Claim, 4 Drawing Sheets



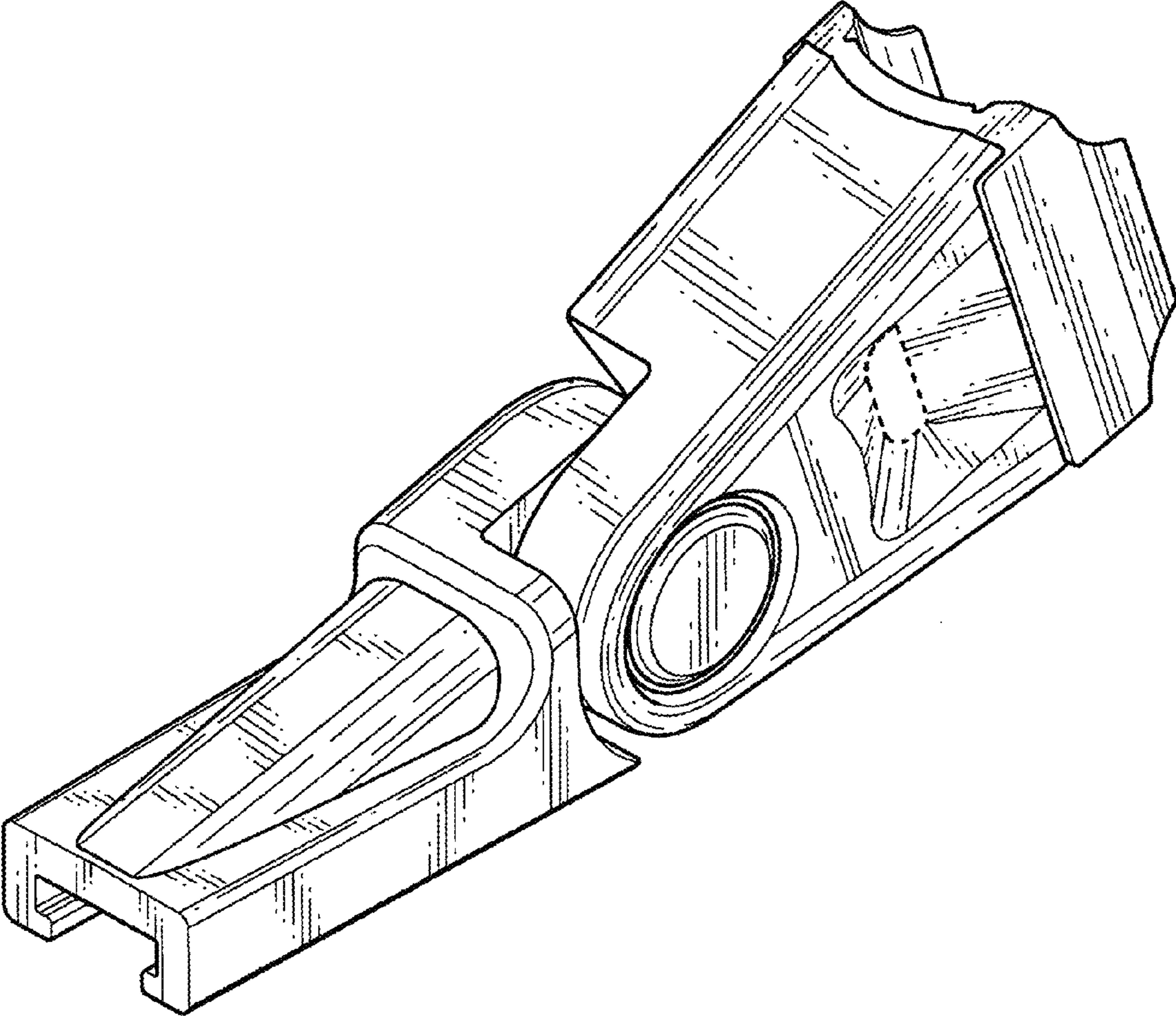


Fig. 1

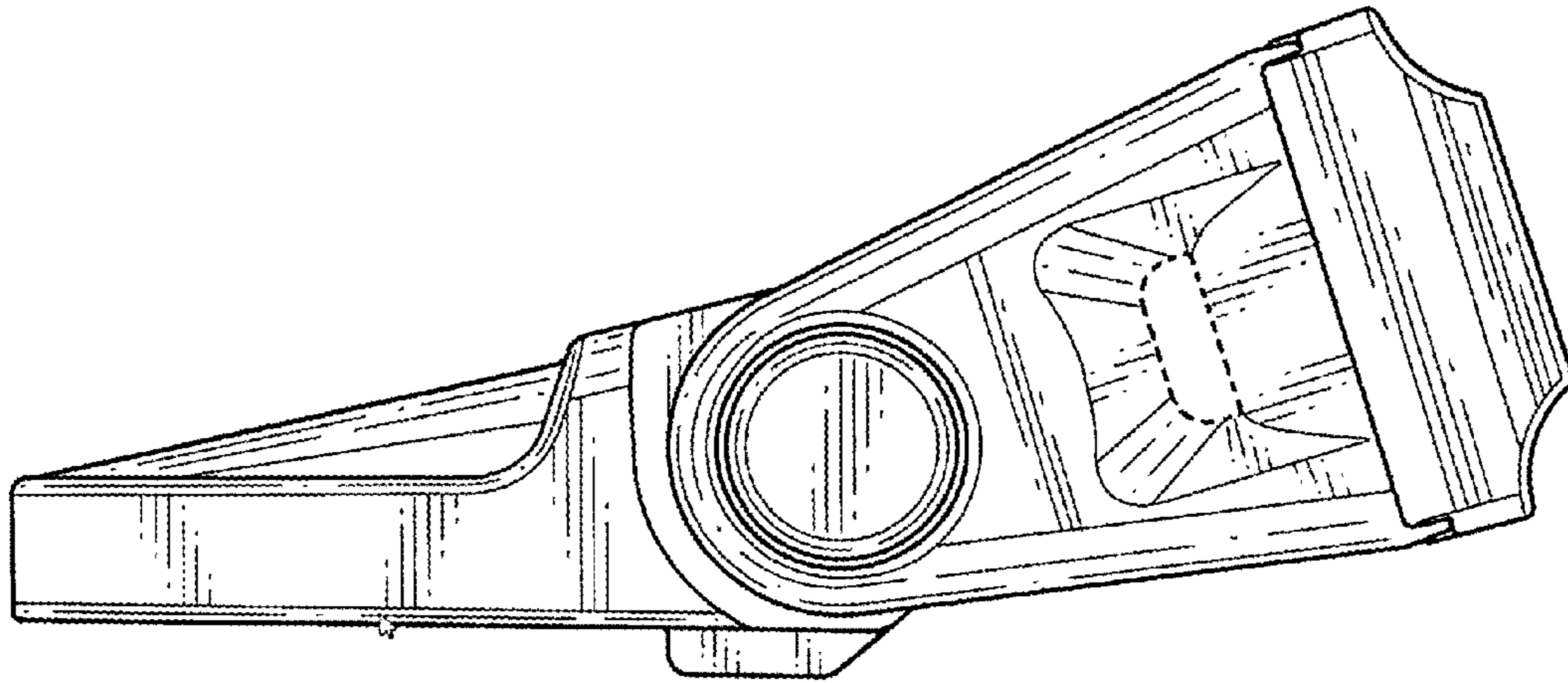


Fig. 2

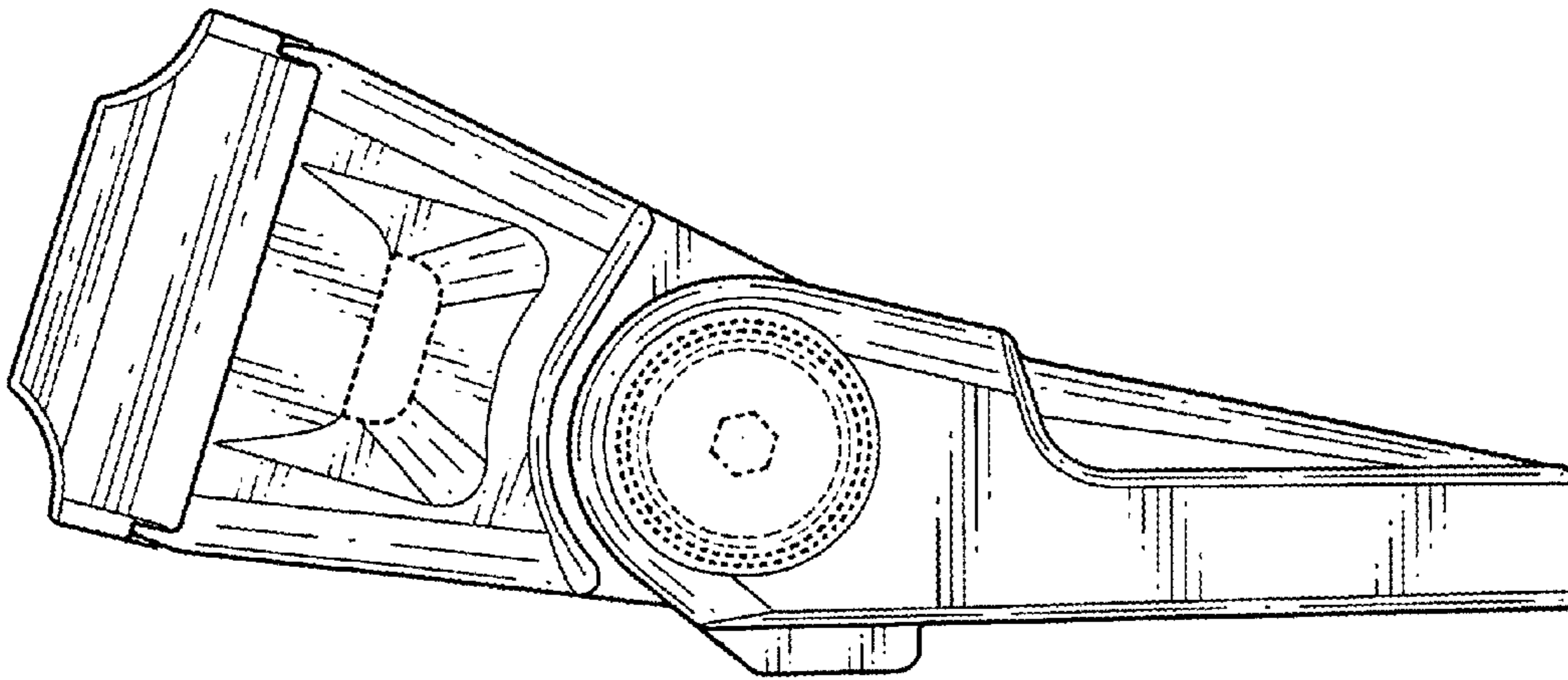


Fig. 3

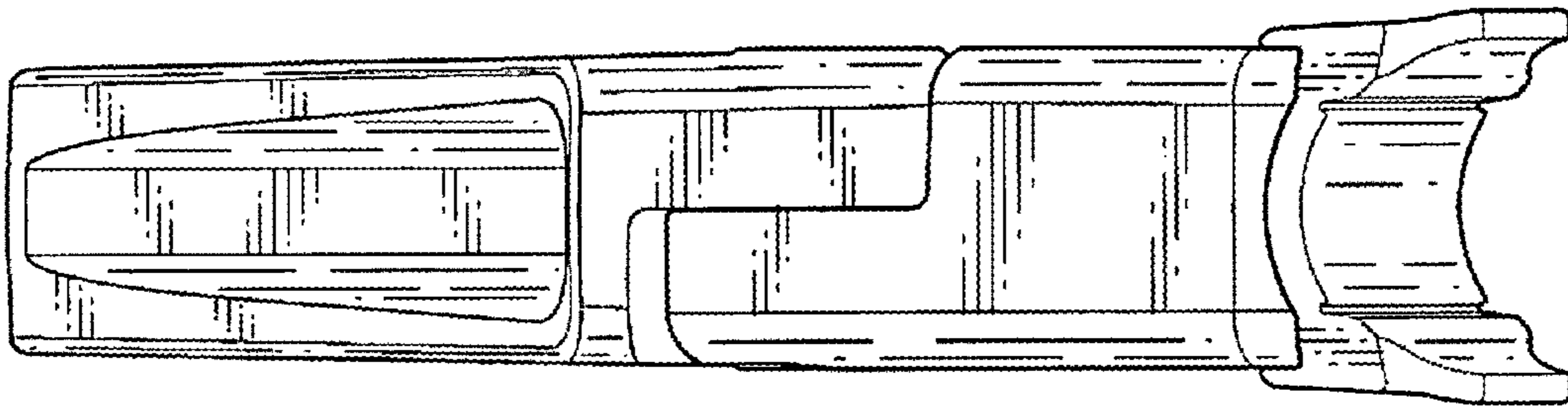


Fig. 4

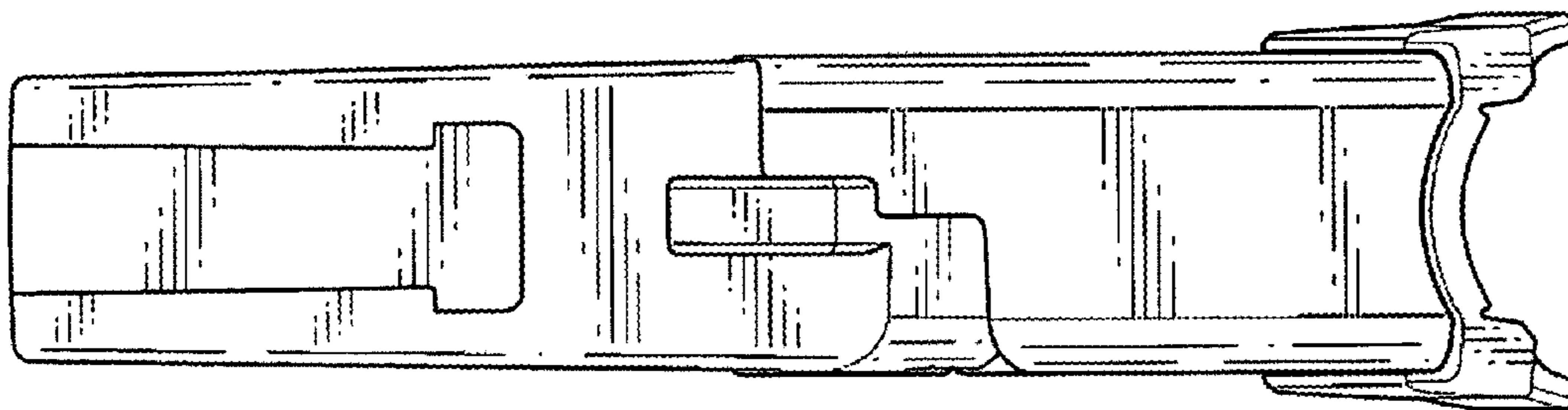


Fig. 5

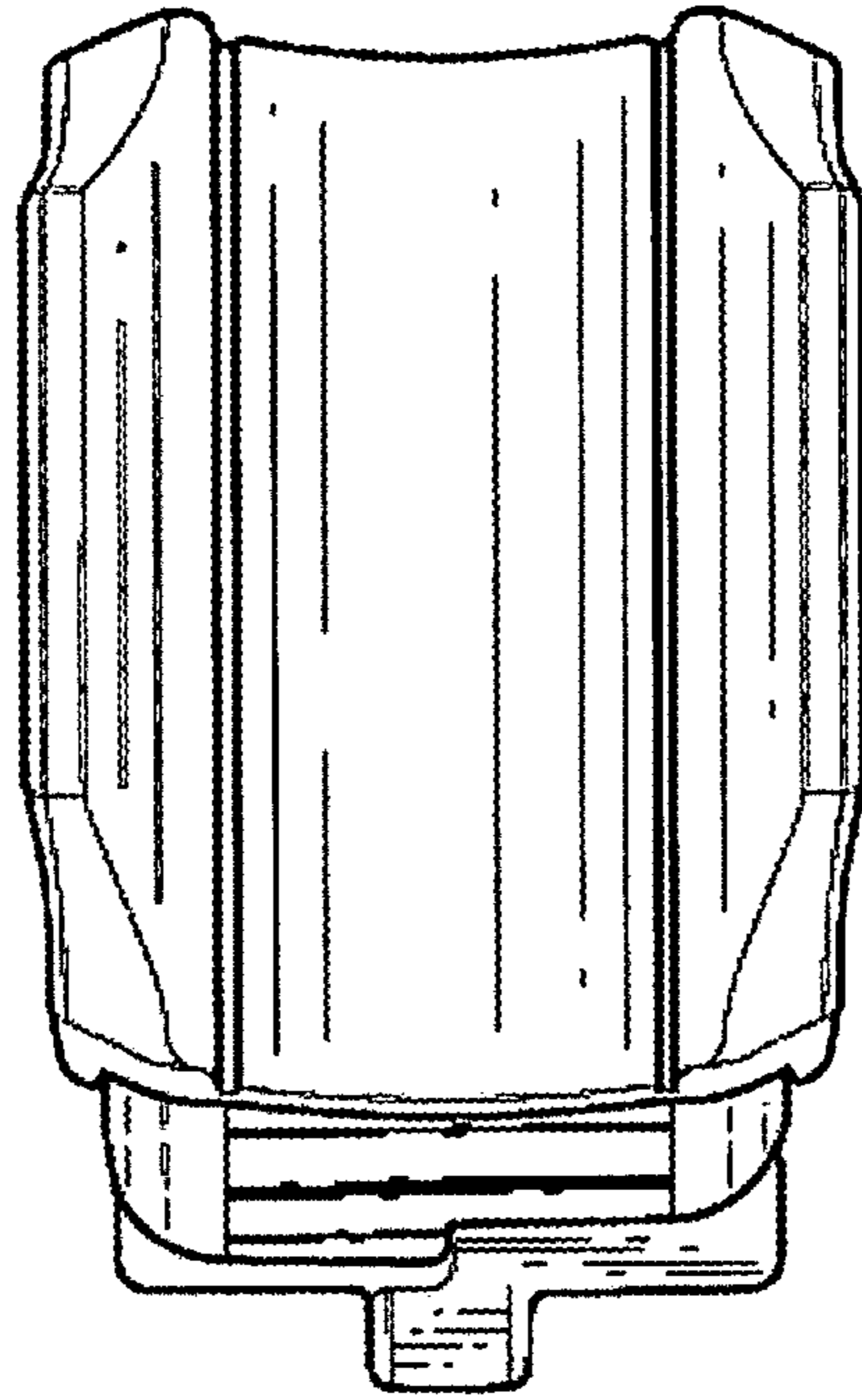


Fig. 6

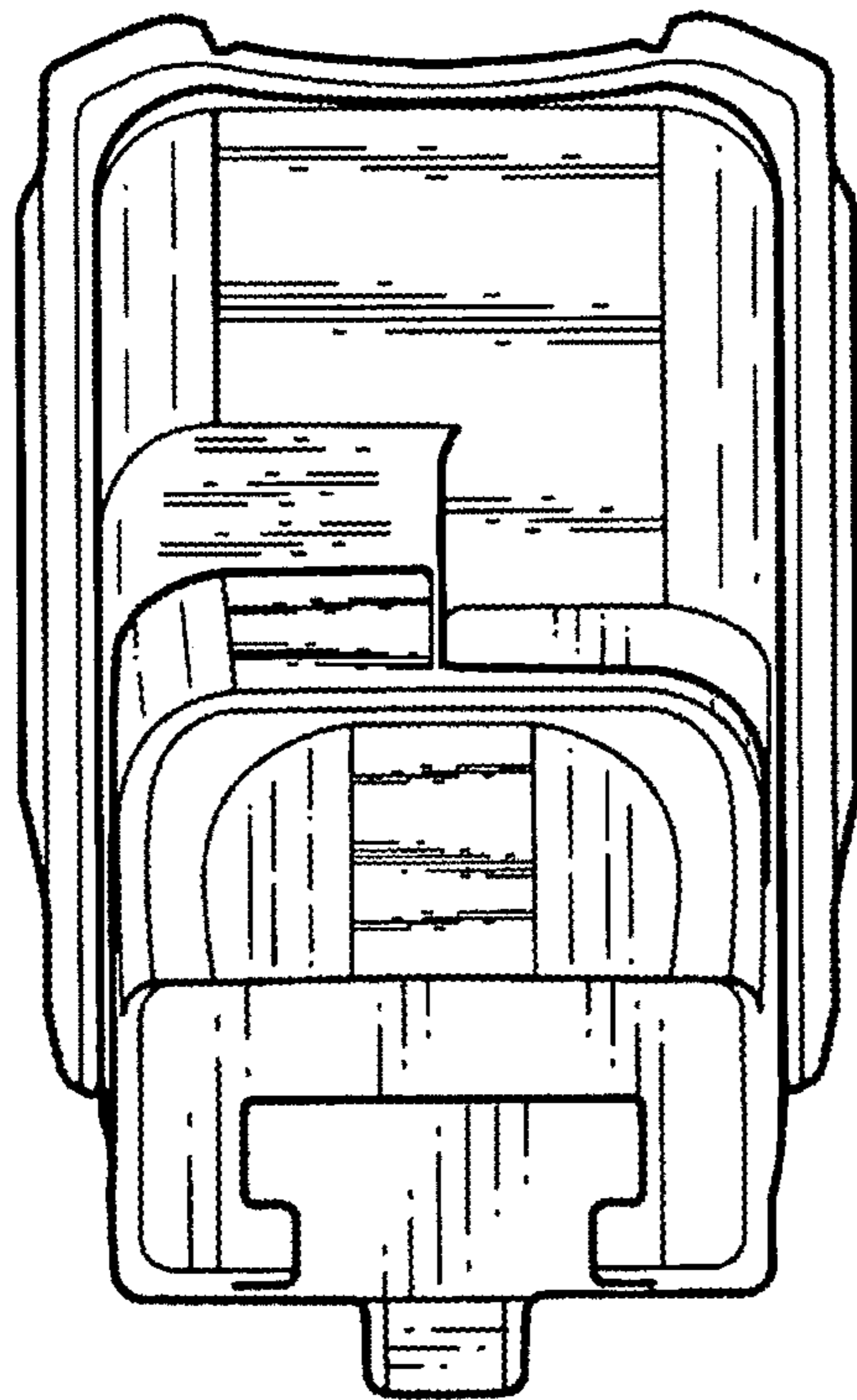


Fig. 7