



US00D768540S

(12) **United States Design Patent**
Ji et al.

(10) **Patent No.:** **US D768,540 S**
(45) **Date of Patent:** **** Oct. 11, 2016**

- (54) **UNMANNED FLYING ROBOT**
- (71) Applicant: **BY ROBOT CO., LTD.**, Suwon-si, Gyeonggi-do (KR)
- (72) Inventors: **Sangki Ji**, Yongin-si (KR); **Sehwa Hong**, Uiwang-si (KR)
- (73) Assignee: **BY ROBOT CO., LTD.**, Suwon-si (KR)
- (**) Term: **15 Years**
- (21) Appl. No.: **29/536,663**
- (22) Filed: **Aug. 18, 2015**
- (30) **Foreign Application Priority Data**

Apr. 14, 2015 (KR) 30-2015-0018915

- (51) **LOC (10) Cl.** **12-07**
- (52) **U.S. Cl.**
USPC **D12/16.1**
- (58) **Field of Classification Search**
USPC D12/16.1, 319-345; D21/436, 438, D21/440, 442, 443, 446-451, 453; D9/438
CPC B64C 39/024; B64C 27/32; B64C 2201/024; B64C 27/12; B64C 39/00; B64C 27/08

See application file for complete search history.

(56) **References Cited**

U.S. PATENT DOCUMENTS

D189,462 S *	12/1960	Vogt	D12/329
D197,038 S *	12/1963	Howard	D12/329
D465,196 S *	11/2002	Dammar	D12/328
D628,658 S *	12/2010	Wurm	D21/442
D691,514 S *	10/2013	Wang	D12/16.1
D710,453 S *	8/2014	Barajas	D12/16.1
D710,454 S *	8/2014	Barajas	D12/16.1
8,967,029 B1 *	3/2015	Calvert	F41H 13/00 239/171
8,973,861 B2 *	3/2015	Zhou	A63H 27/12 244/17.23
9,061,763 B1 *	6/2015	Christensen	A63H 17/28
9,099,902 B2 *	8/2015	Chen	H02K 5/225
D741,751 S *	10/2015	Klaptocz	D12/16.1
D741,779 S *	10/2015	Hsiao	D12/16.1
2014/0263823 A1 *	9/2014	Wang	B64C 39/028 244/17.23
2014/0339355 A1 *	11/2014	Olm	B64C 27/08 244/17.23

2015/0051755 A1 *	2/2015	Erhart	A63H 27/12 701/2
2015/0060606 A1 *	3/2015	Wang	B64C 39/024 244/17.5
2015/0129711 A1 *	5/2015	Caubel	B64C 27/08 244/17.23
2015/0321755 A1 *	11/2015	Martin	B64C 27/50 244/17.23
2015/0321758 A1 *	11/2015	Sarna, II	B64C 39/024 244/63
2015/0321759 A1 *	11/2015	Caubel	B64C 39/024 244/17.23
2015/0336670 A1 *	11/2015	Zhang	B64C 1/00 244/119
2016/0001879 A1 *	1/2016	Johannesson	B64C 27/50 416/142
2016/0031275 A1 *	2/2016	Monroe	B60F 3/0007 244/2
2016/0068261 A1 *	3/2016	Niederberger	A47L 1/02 244/2
2016/0107094 A1 *	4/2016	Ji	A63H 30/02 463/2

OTHER PUBLICATIONS

ByRobotDrone by Petrone dated 2015. found online [Apr. 26, 2016]
<http://www.petroneplay.com/#!english/seyyx>.*

* cited by examiner

Primary Examiner — Robert M Spear

Assistant Examiner — Marissa J Cash

(74) *Attorney, Agent, or Firm* — Hauptman Ham, LLP

(57) **CLAIM**

The ornamental design for an unmanned flying robot, as shown and described.

DESCRIPTION

FIG. 1 is a perspective view of an unmanned flying robot showing our new design;
FIG. 2 is a front elevational view thereof;
FIG. 3 is a rear elevational view thereof;
FIG. 4 is a left side elevational view thereof;
FIG. 5 is a right side elevational view thereof;
FIG. 6 is a top plane view thereof; and,
FIG. 7 is a bottom plan view thereof.

1 Claim, 5 Drawing Sheets

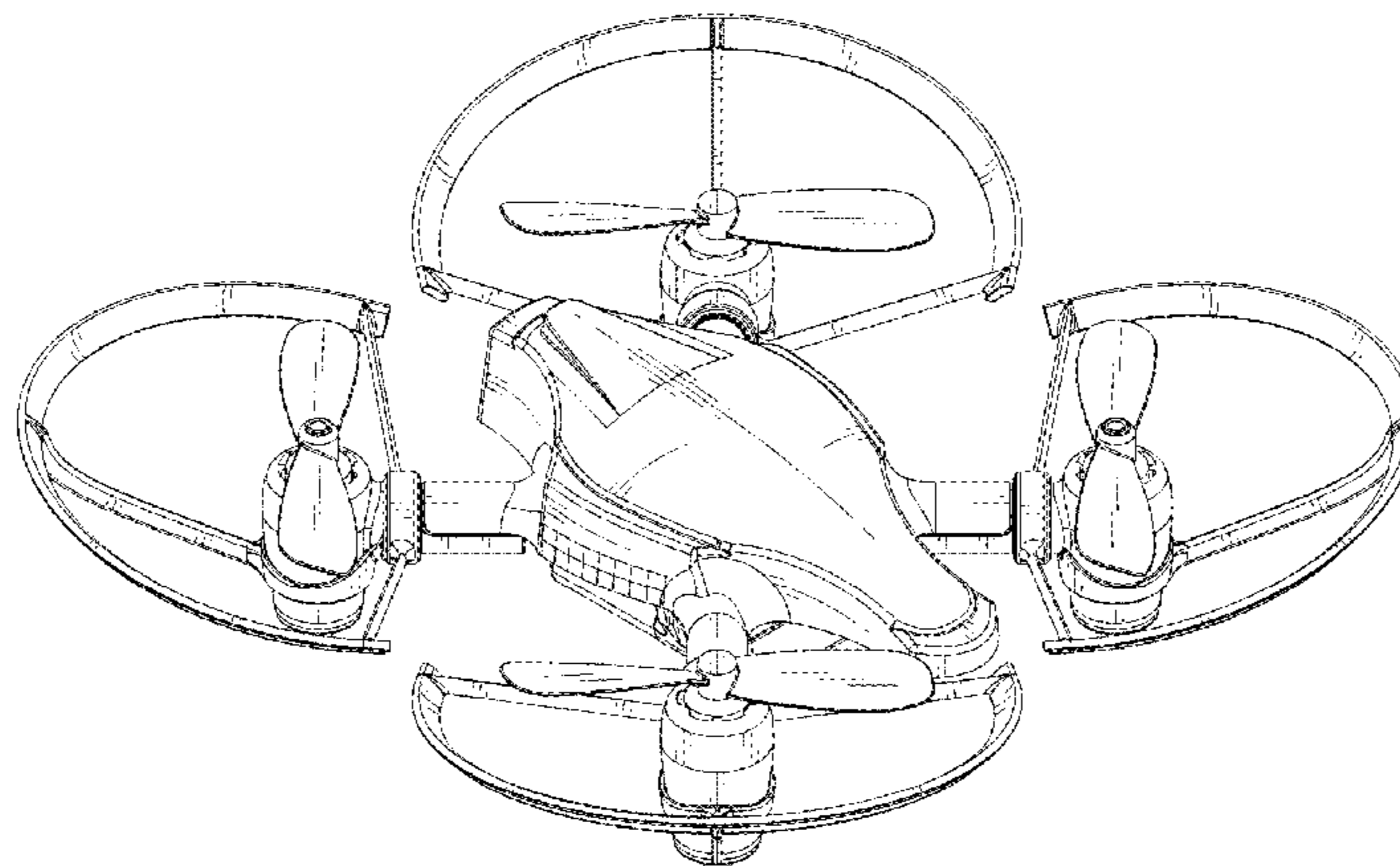


FIG. 1

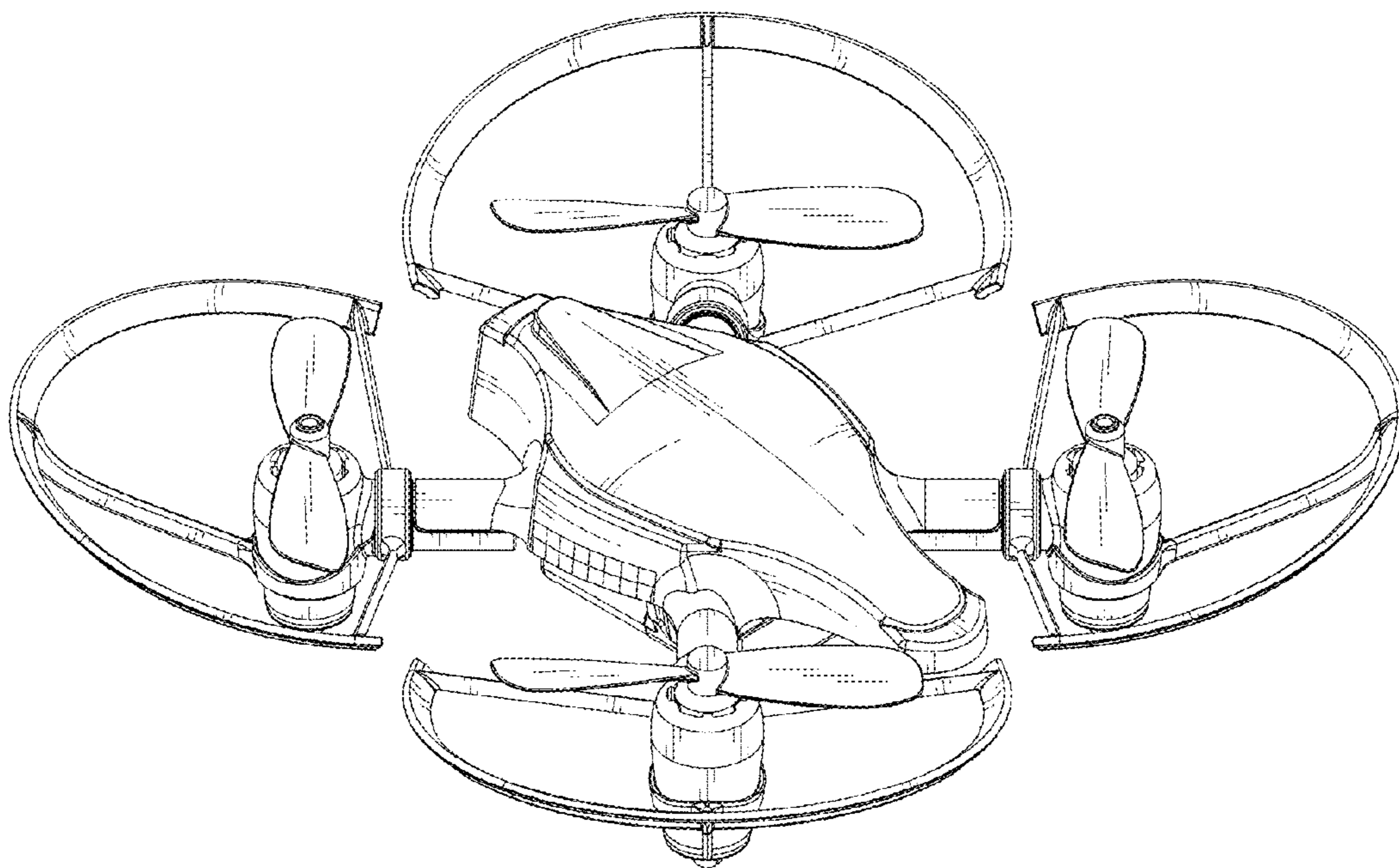


FIG. 2

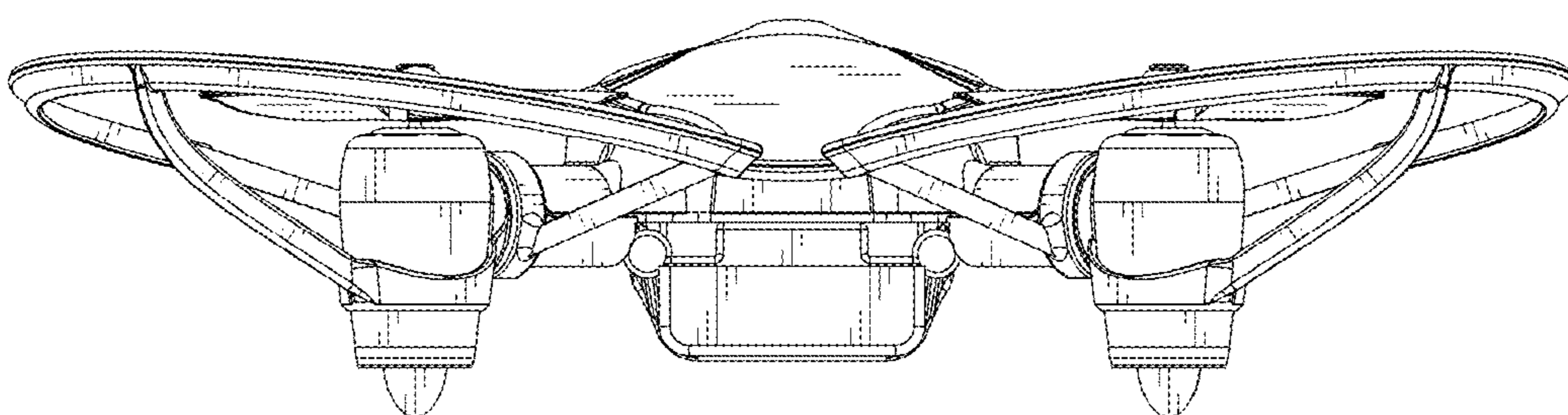


FIG. 3

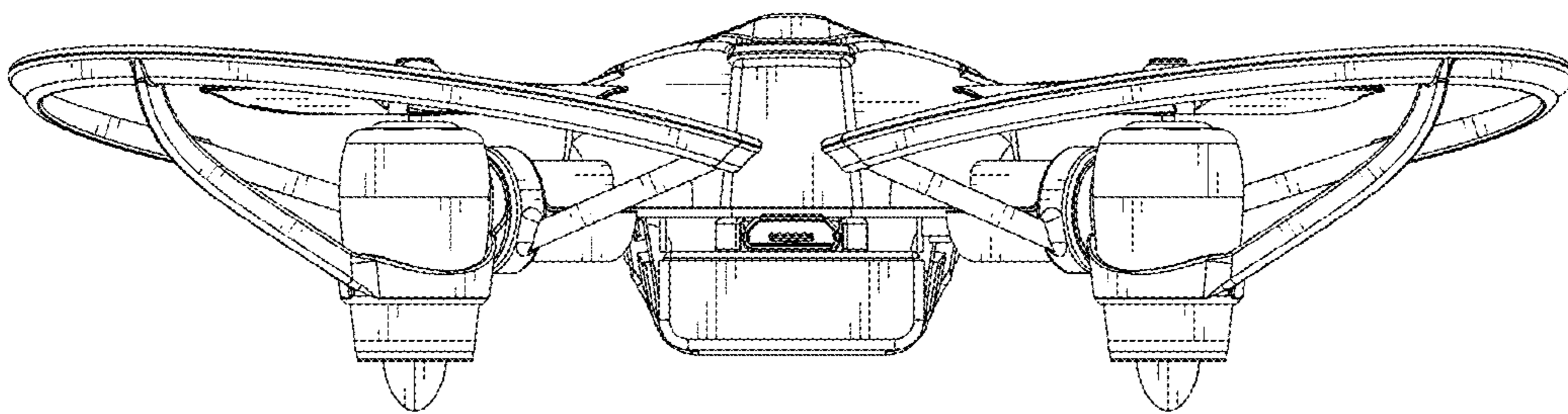


FIG. 4

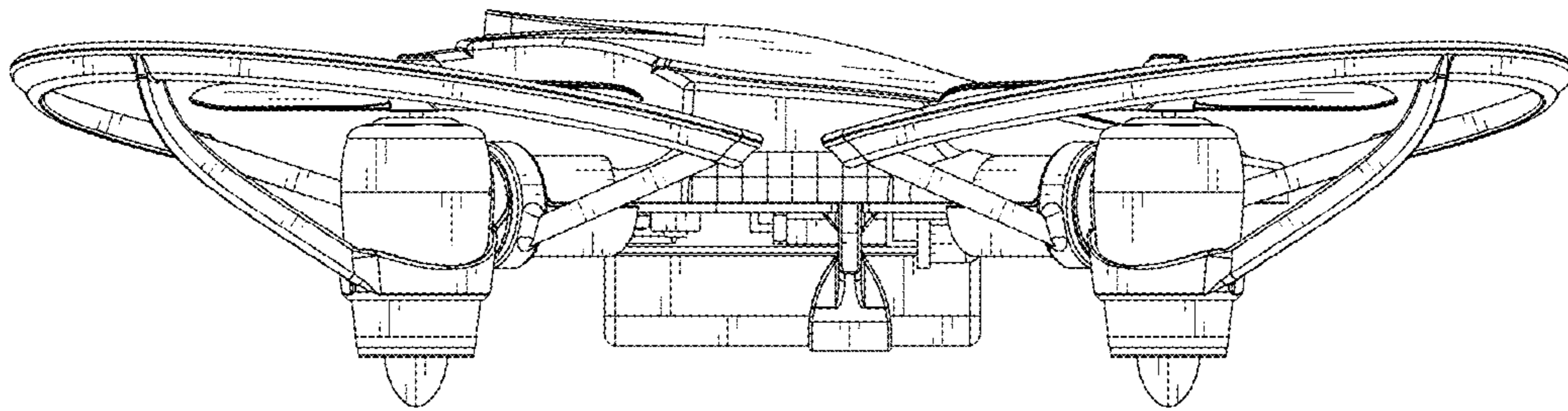


FIG. 5

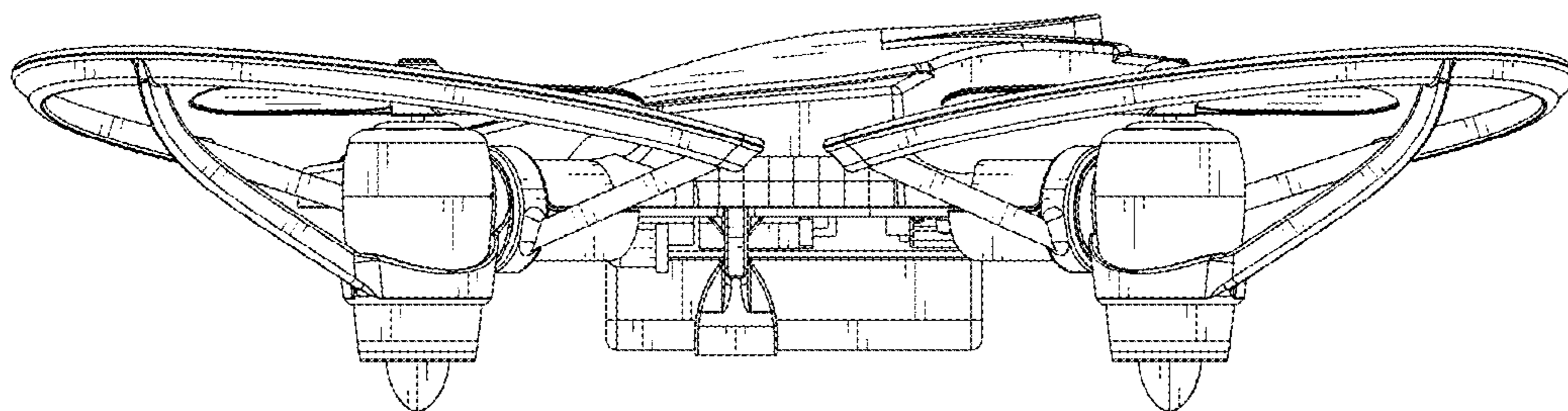


FIG. 6

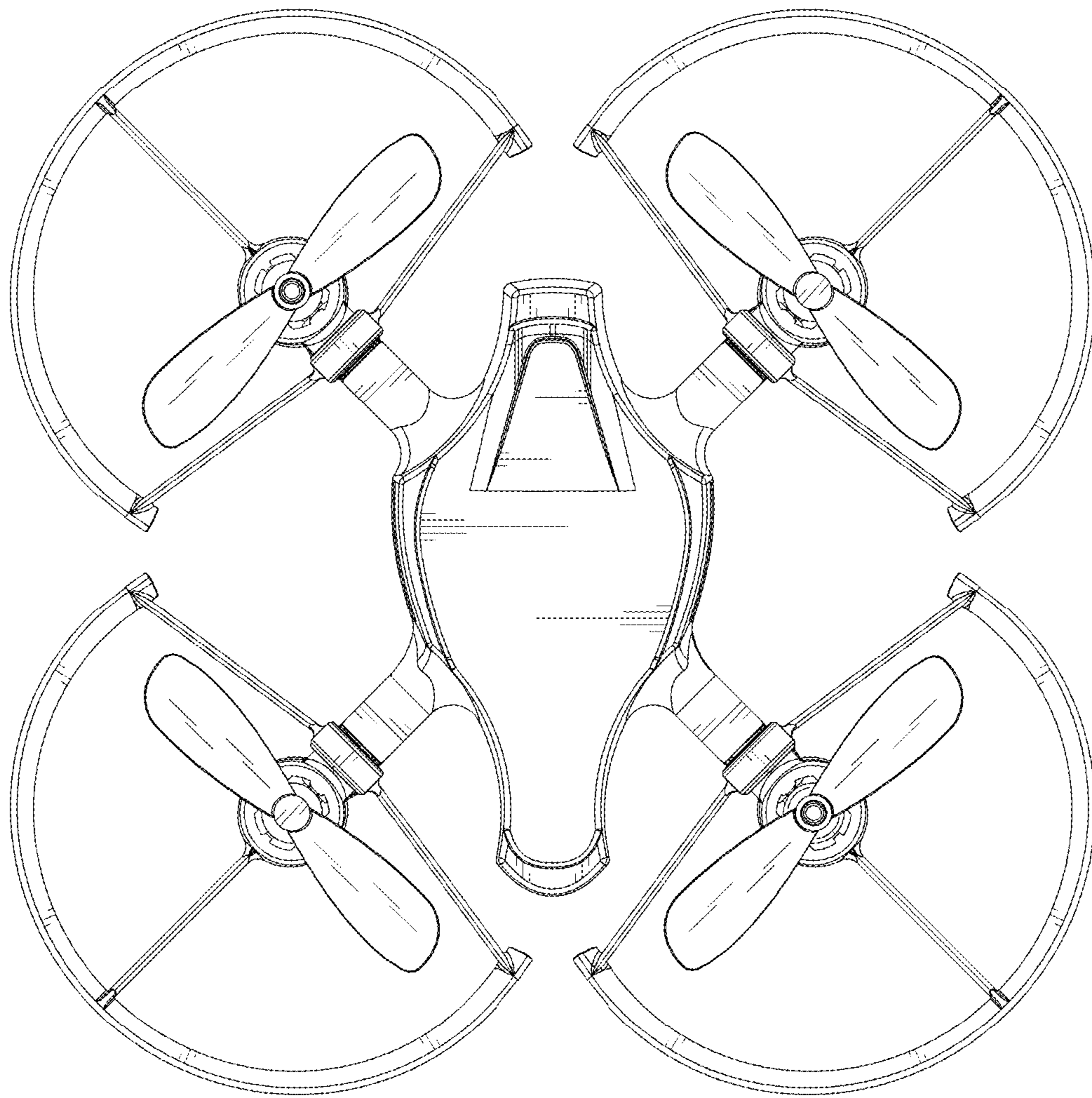


FIG. 7

