



US00D768534S

(12) **United States Design Patent**  
**Wilturner**

(10) **Patent No.:** **US D768,534 S**  
(45) **Date of Patent:** **\*\* Oct. 11, 2016**

(54) **HOLDER FOR A MATCH WITH AN INCENSE FLAG ATTACHMENT**

(71) Applicant: **Derrick Wilturner**, Pearland, TX (US)

(72) Inventor: **Derrick Wilturner**, Pearland, TX (US)

(\*\*) Term: **14 Years**

(21) Appl. No.: **29/525,269**

(22) Filed: **Apr. 28, 2015**

(51) **LOC (10) Cl.** ..... **11-02**

(52) **U.S. Cl.**  
USPC ..... **D11/131.1; D11/131; D11/142**

(58) **Field of Classification Search**  
USPC ..... D11/131, 131.1, 142, 164; D9/414, D9/418, 431, 538, 559, 516; D27/173, D27/190, 172, 174, 193, 102, 103, 125, D27/129; D34/1, 7; 229/400, 186, 189, 4.5; 220/62, 62.1, 908, 910, 911; 206/96, 206/265; 131/239, 242  
CPC ..... B65D 5/2047; B65D 5/00; B65D 5/008; B65D 5/18; B65D 5/2057; B65D 5/3607; B65F 2210/104  
See application file for complete search history.

(56) **References Cited**

**U.S. PATENT DOCUMENTS**

1,027,719	A *	5/1912	Fordon et al.	.....	B65D 3/08
					229/106
1,364,556	A *	1/1921	Hurff	.....	A24F 19/0064
					131/231
2,078,038	A *	4/1937	Stephens	.....	B65D 5/3685
					229/102.5
2,340,754	A *	2/1944	Inman	.....	B65D 5/2047
					229/117.21
2,343,563	A *	3/1944	McCabe	.....	A47G 23/03
					215/394
D178,945	S *	10/1956	Arnold	.....	D11/142
2,950,853	A *	8/1960	Weiss	.....	B65D 5/2047
					229/110
3,150,812	A *	9/1964	Sabol	.....	B65D 5/0005
					206/216

(Continued)

**OTHER PUBLICATIONS**

Incense Burner and Dishes, available Jan. 22, 2008, [online], [site visited Jul. 22, 2016]. Available from internet, <URL: https://www.flickr.com/photos/gio\_origami/2212037002.\*

(Continued)

*Primary Examiner* — Cathron Brooks

*Assistant Examiner* — Teddy Falloway

(74) *Attorney, Agent, or Firm* — Andrew W. Chu; Craft Chu PLLC

(57) **CLAIM**

The ornamental design for a holder for a match with an incense flag attachment, as shown and described.

**DESCRIPTION**

FIG. 1 is an upper perspective view of the holder for a match with an incense flag attachment showing my design in an opened configuration.

FIG. 2 is a front elevation view thereof;

FIG. 3 is a back elevation view thereof;

FIG. 4 is a side elevation view thereof;

FIG. 5 is an opposite side elevation view thereof;

FIG. 6 is a top plan view thereof;

FIG. 7 is a bottom plan view thereof; and

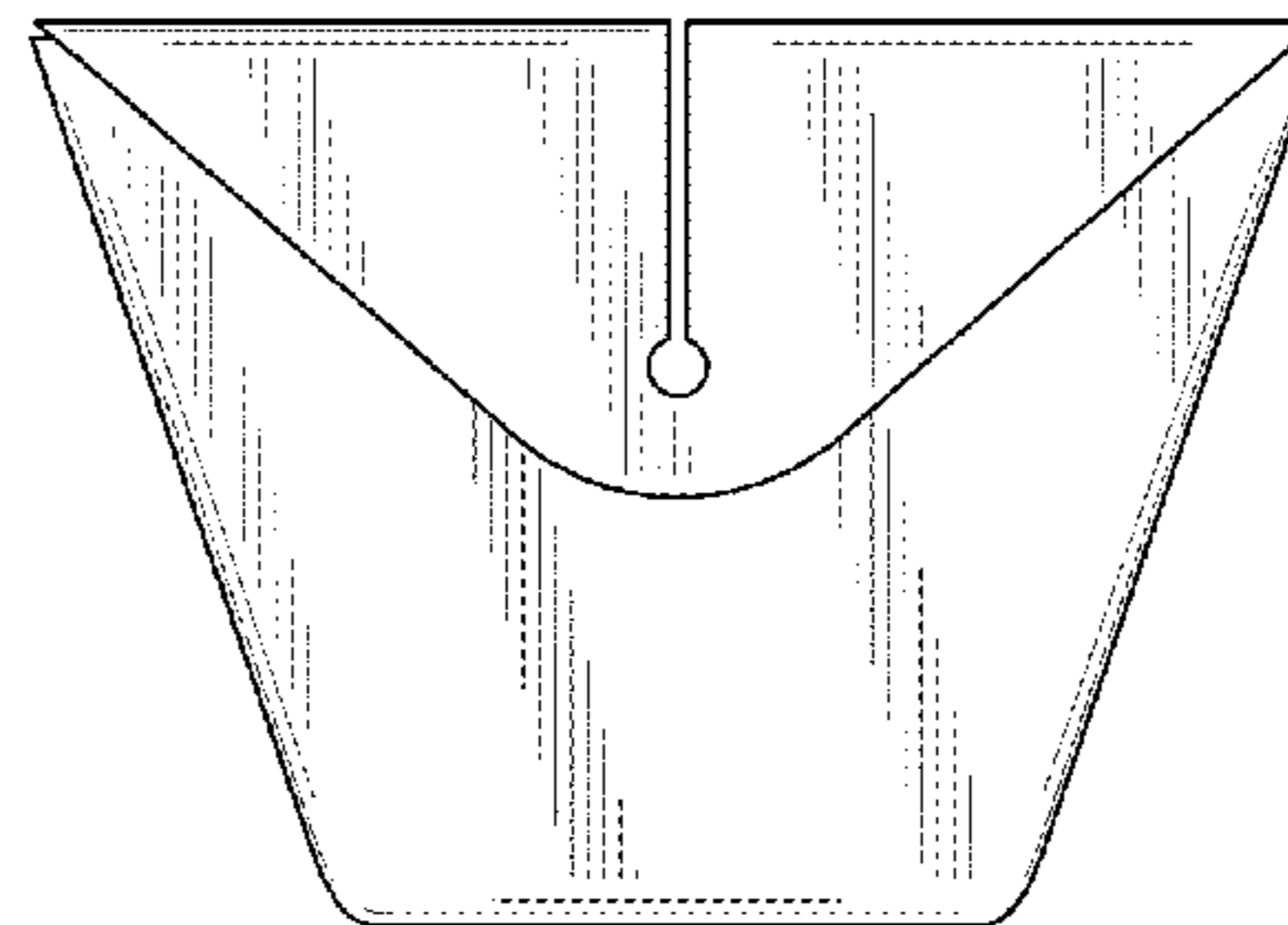
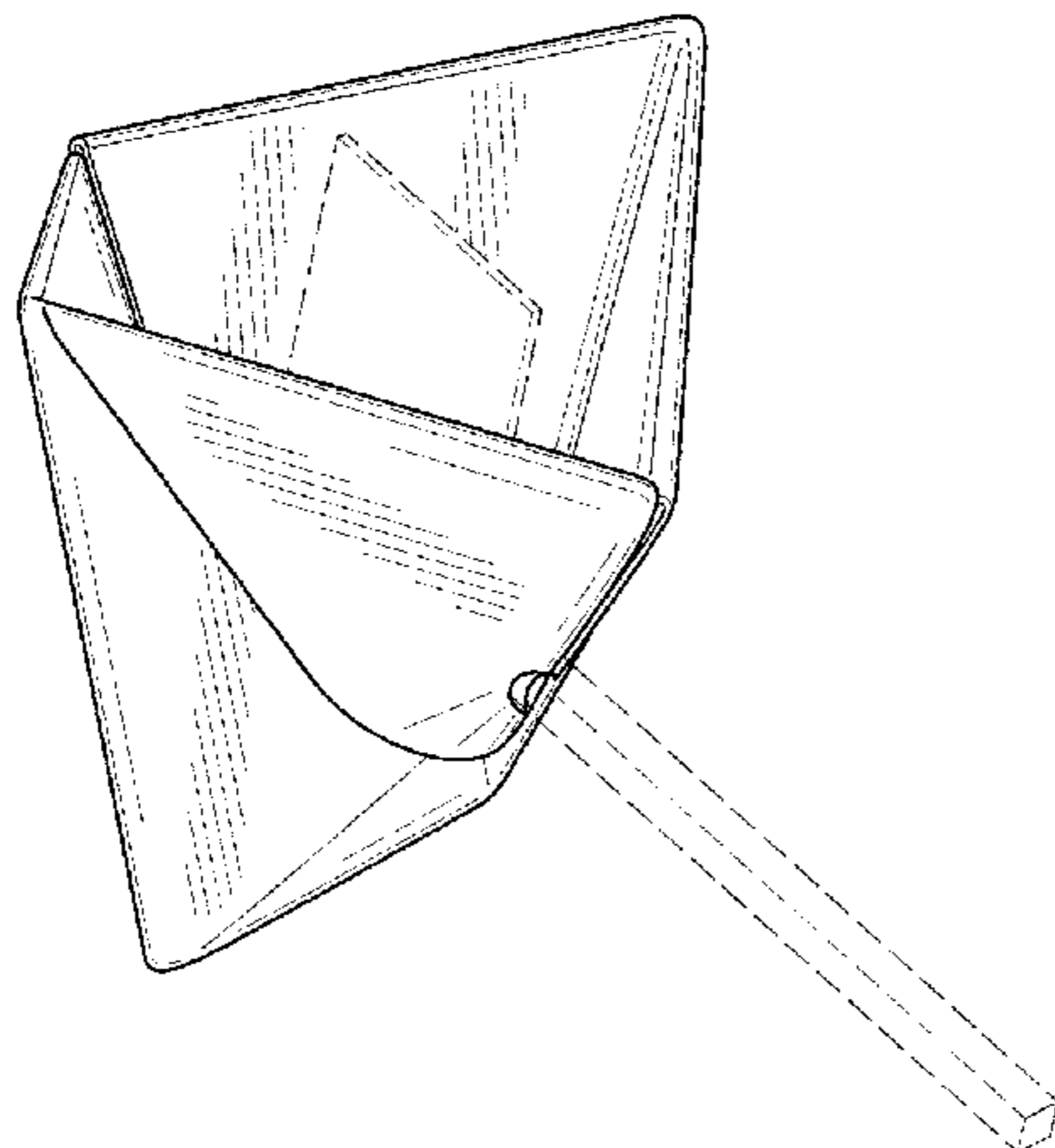
FIG. 8 is another upper perspective view thereof, showing placement of the match with an incense flag attachment in broken lines;

FIG. 9 is front elevation view thereof in a closed configuration; and,

FIG. 10 is a side elevation view thereof in the closed configuration.

The holder for a match with an incense flag attachment retains the ashes of the incense flag attachment as the match burns in the holder. The broken lines in FIG. 8 showing a match with an incense flag illustrate environmental structure that form no part of the claimed design.

**1 Claim, 3 Drawing Sheets**



(56)

References Cited

U.S. PATENT DOCUMENTS

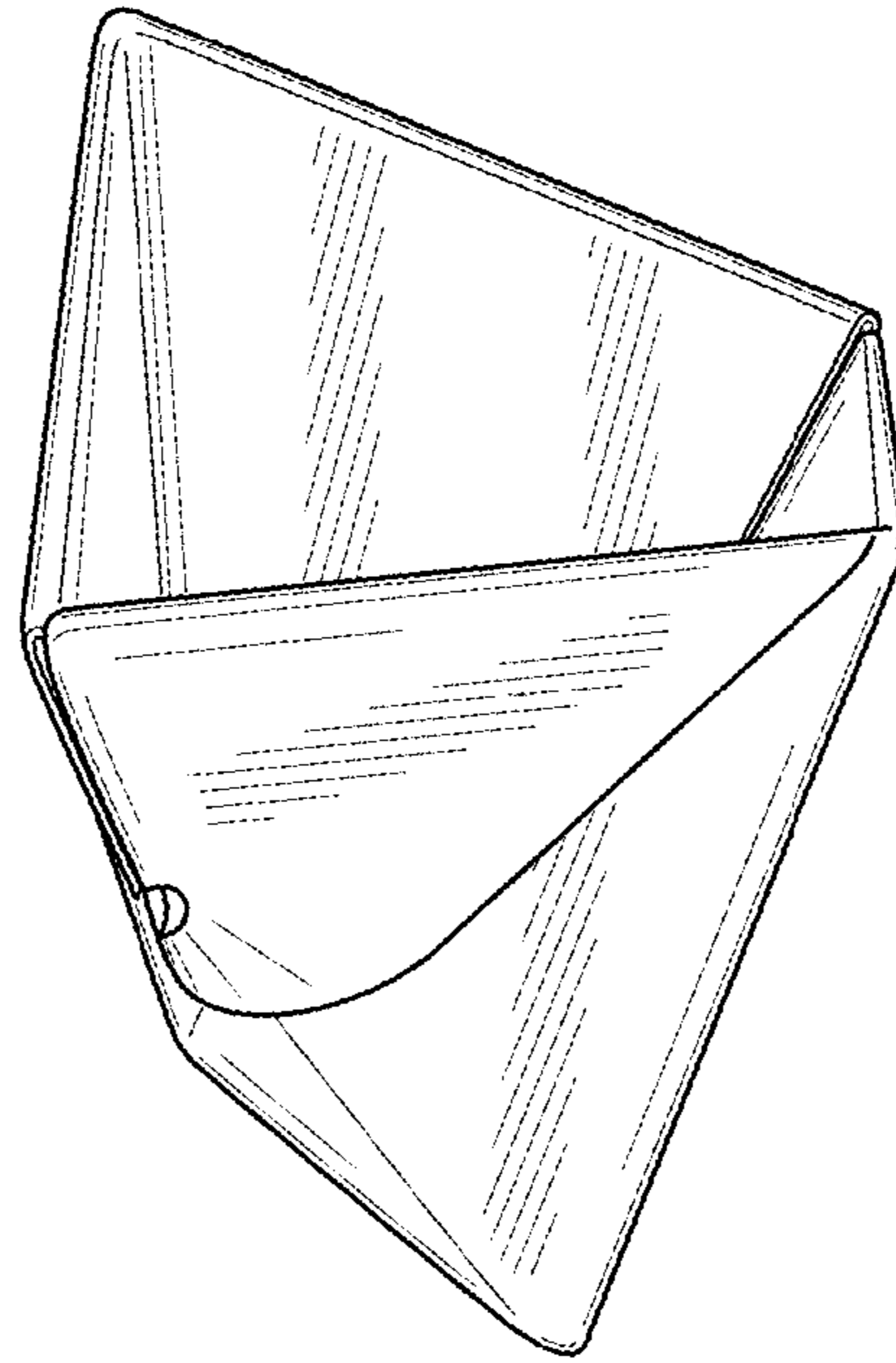
3,342,317 A \* 9/1967 Barron ..... A24F 19/0028  
131/231  
3,561,453 A \* 2/1971 Kline ..... A24F 19/025  
131/241  
3,726,469 A \* 4/1973 Koehler ..... B65D 5/3685  
229/110  
3,844,470 A \* 10/1974 Rohde ..... B65D 5/029  
229/116  
3,885,266 A \* 5/1975 Nafziger ..... E01H 1/1206  
206/577  
3,913,823 A \* 10/1975 Lin ..... B65D 5/248  
229/126  
D237,675 S \* 11/1975 Cameron ..... D34/1  
D241,419 S \* 9/1976 Wilson et al. .... D9/418  
3,992,810 A \* 11/1976 Kimball ..... A01G 9/104  
206/423  
D242,639 S 12/1976 Patel  
D245,229 S \* 8/1977 Hanson ..... D9/418  
D245,992 S 10/1977 Gruber  
D246,440 S \* 11/1977 Hanson ..... D9/418  
4,063,679 A \* 12/1977 Henry ..... B65D 5/3614  
229/108  
D246,910 S 1/1978 Patel  
4,269,348 A \* 5/1981 Young ..... B65D 5/4616  
229/115  
D287,466 S \* 12/1986 Gardner ..... D9/414  
4,772,280 A \* 9/1988 Rooyakkers ..... A61F 13/471  
604/349  
4,901,739 A \* 2/1990 Benavente ..... A24F 19/0028  
131/174  
D319,940 S \* 9/1991 Ehlebracht ..... D6/705  
5,370,138 A \* 12/1994 Mou ..... A24F 19/0028  
131/231  
5,460,324 A \* 10/1995 Vinther ..... B65D 5/3678  
229/117.05  
5,476,215 A \* 12/1995 Baroud ..... A47G 21/001  
229/101  
5,799,863 A \* 9/1998 Capy ..... B65D 5/3685  
229/104

6,119,930 A \* 9/2000 Lunstra ..... B65D 5/008  
229/116  
D444,732 S 7/2001 McLeish et al.  
D445,721 S 7/2001 McLeish et al.  
D450,900 S \* 11/2001 Truszkowski ..... D34/1  
D451,390 S \* 12/2001 Bozlee ..... D9/434  
D465,650 S \* 11/2002 Horne ..... D3/303  
D527,625 S \* 9/2006 Beutler ..... D9/414  
7,637,417 B2 \* 12/2009 Fite, IV ..... A47G 19/02  
229/186  
D610,013 S \* 2/2010 Mendelson ..... D9/435  
D657,950 S \* 4/2012 Herman ..... D3/202  
D690,135 S \* 9/2013 Alkandari ..... D6/662  
D708,808 S \* 7/2014 Carlos ..... D34/5  
D739,262 S \* 9/2015 Rosen ..... D9/702  
D747,036 S \* 1/2016 Wiltturner ..... D11/166  
2001/0033811 A1 \* 10/2001 Stanley, III ..... A01N 25/20  
422/126  
2004/0074787 A1 \* 4/2004 Donos ..... A24F 19/0028  
206/120  
2006/0054521 A1 \* 3/2006 Tchira ..... B65D 85/505  
206/423  
2008/0121243 A1 \* 5/2008 Galoyan ..... A24F 15/18  
131/231  
2013/0105504 A1 \* 5/2013 Bowman ..... B65D 5/46024  
220/752  
2013/0105563 A1 \* 5/2013 Lee ..... B65D 5/24  
229/186  
2014/0027501 A1 \* 1/2014 Mills ..... B65D 5/18  
229/126

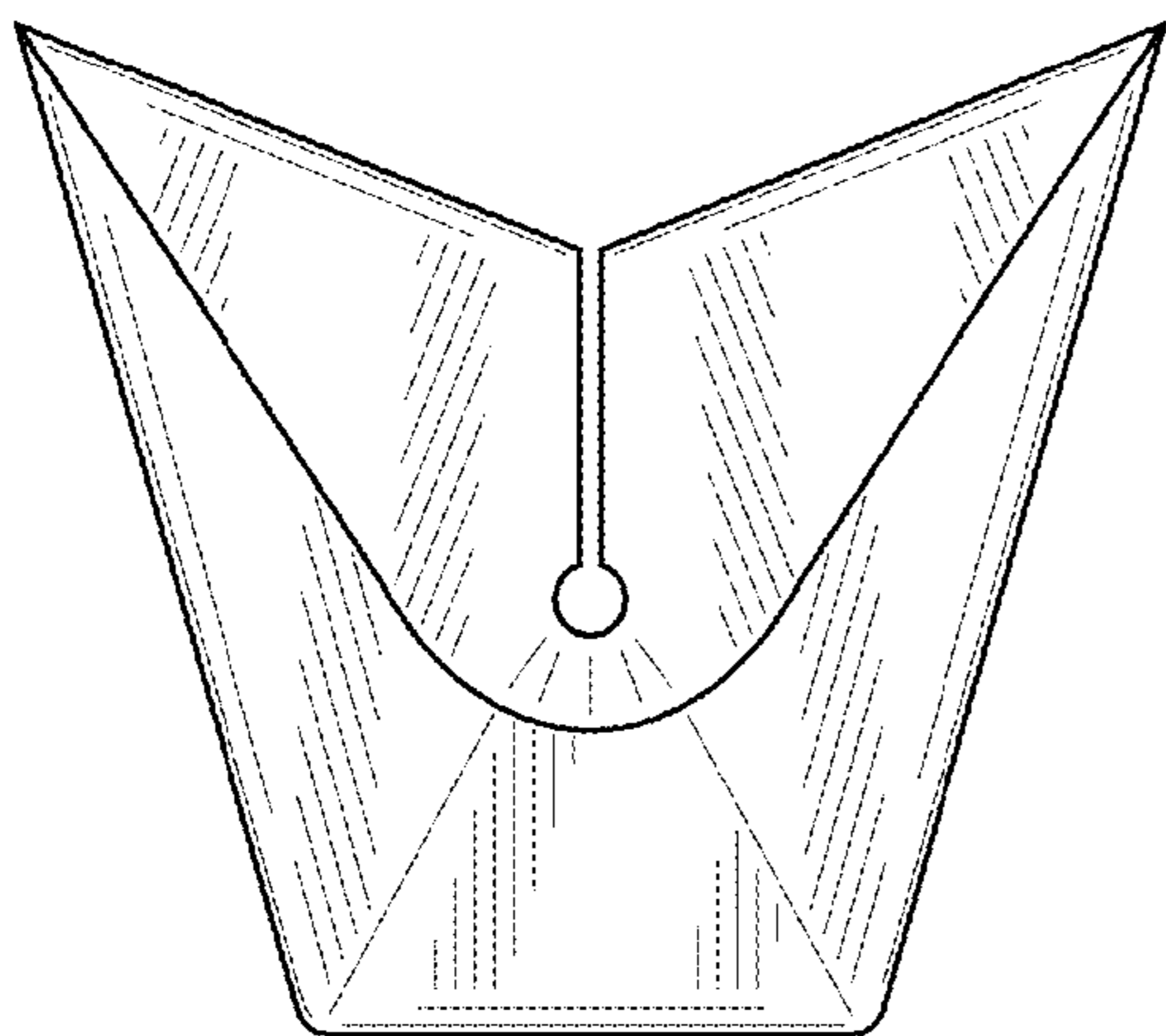
OTHER PUBLICATIONS

Incense Burner, available Mar. 5, 2011, [online], [site visited Jul. 22, 2016]. Available from internet, <URL: <http://www.wonko.info/365origami/?p=415>>.\*  
Origami Ashtray (YouTube), available Nov. 10, 2014, [online], [site visited Jul. 22, 2016]. Video available from internet, <URL: <https://www.youtube.com/watch?v=vVv1z1Fu8xY>>.\*

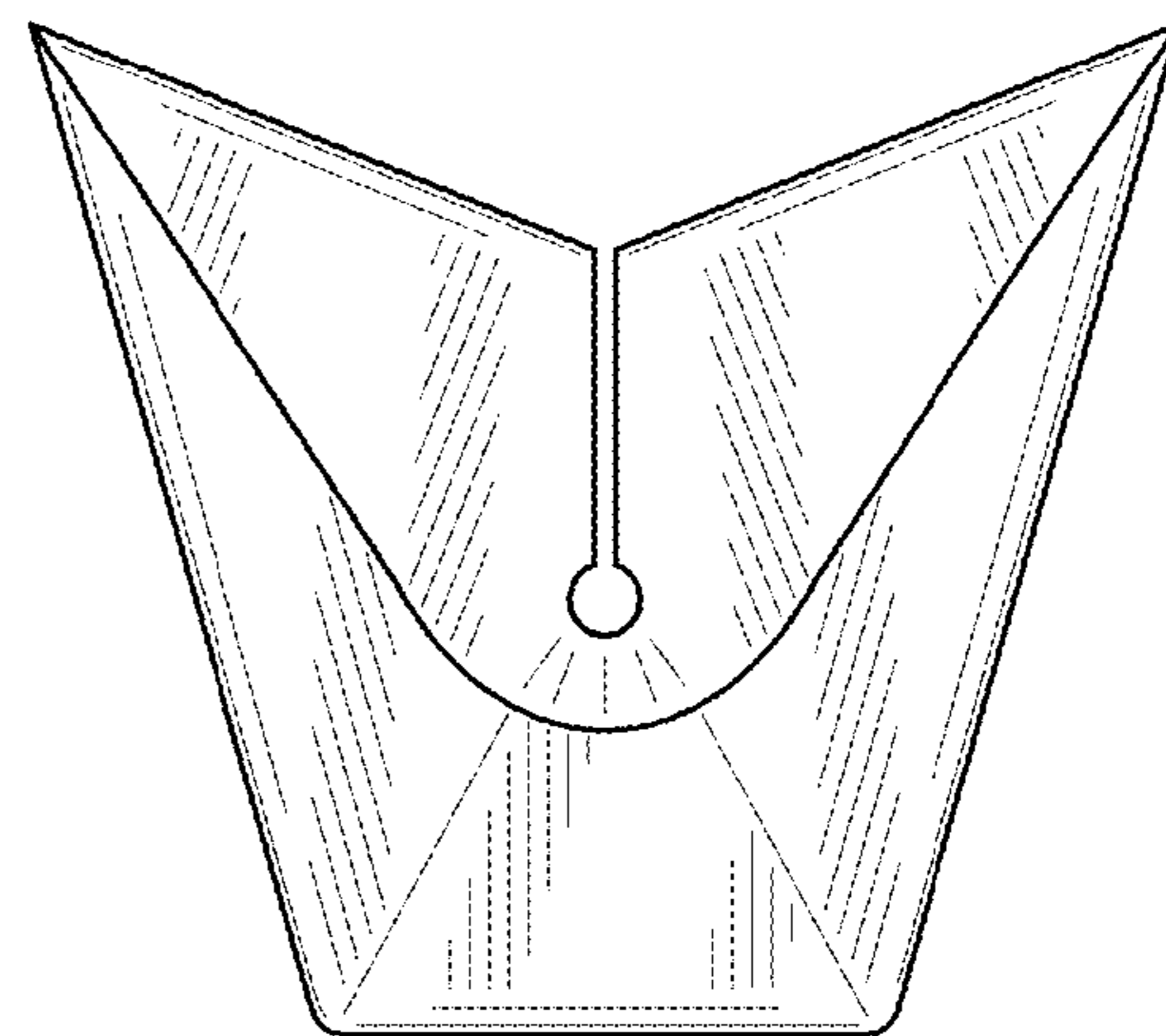
\* cited by examiner



*FIG. 1*



*FIG. 2*



*FIG. 3*

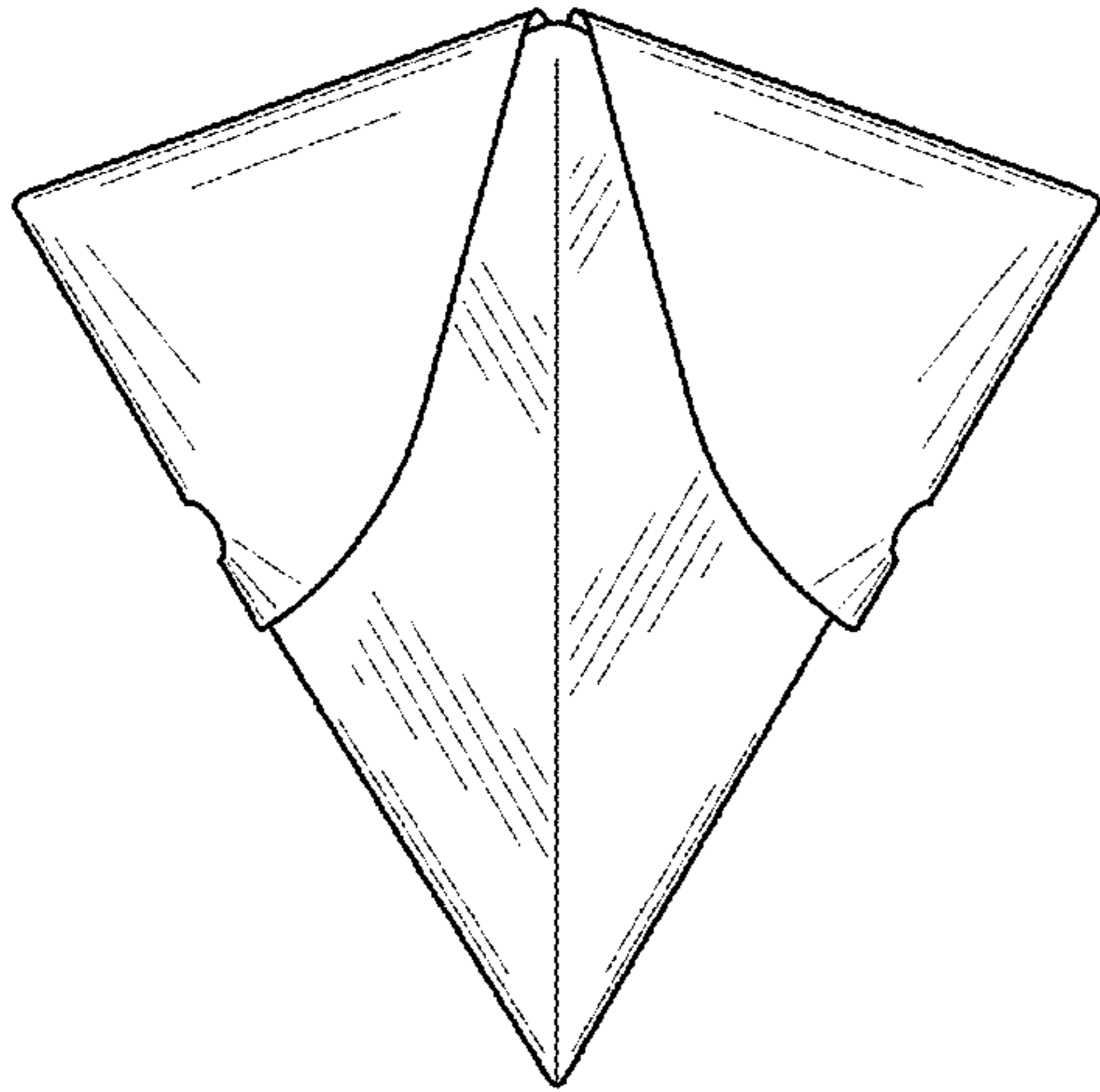


FIG. 4

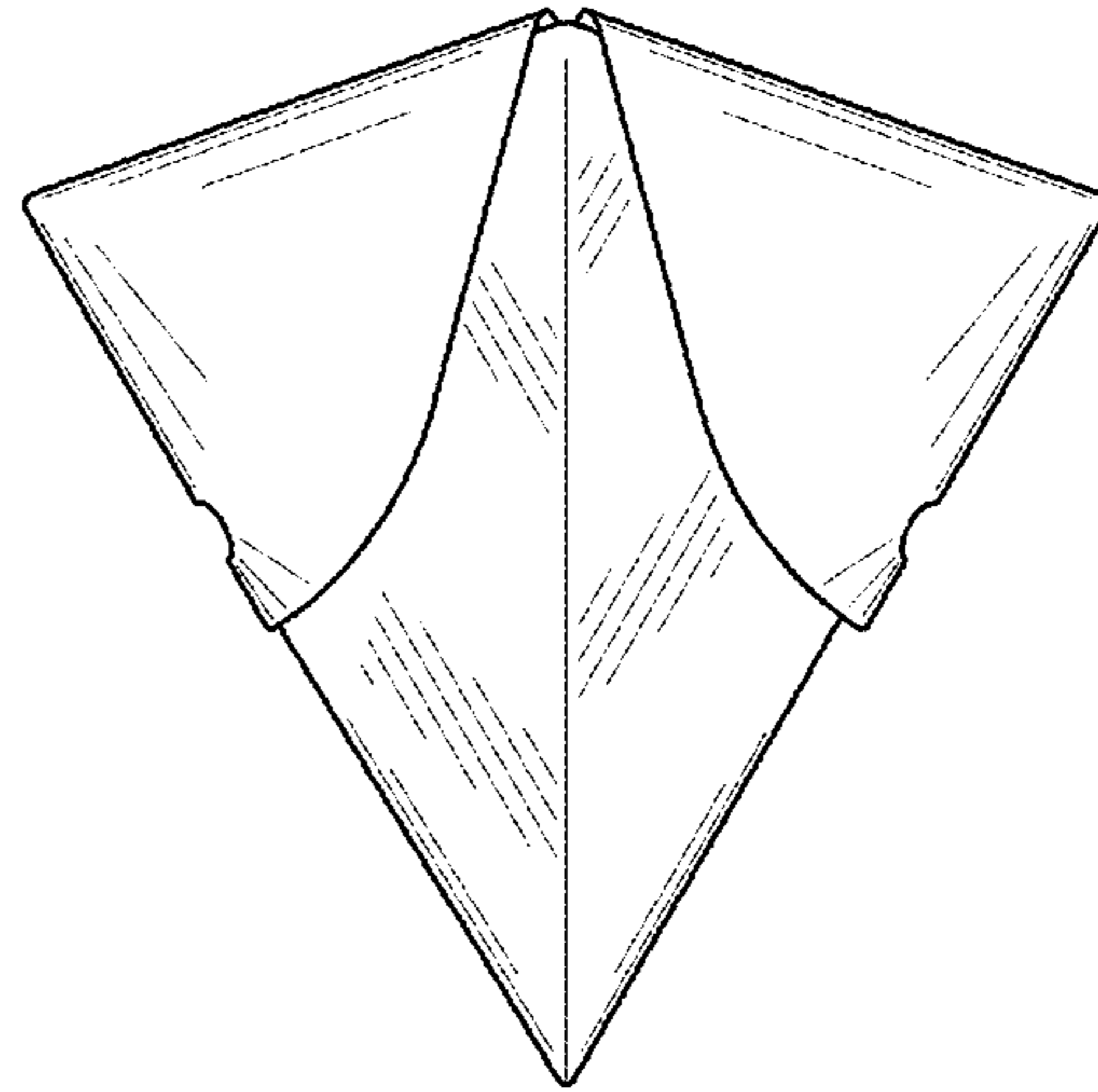


FIG. 5

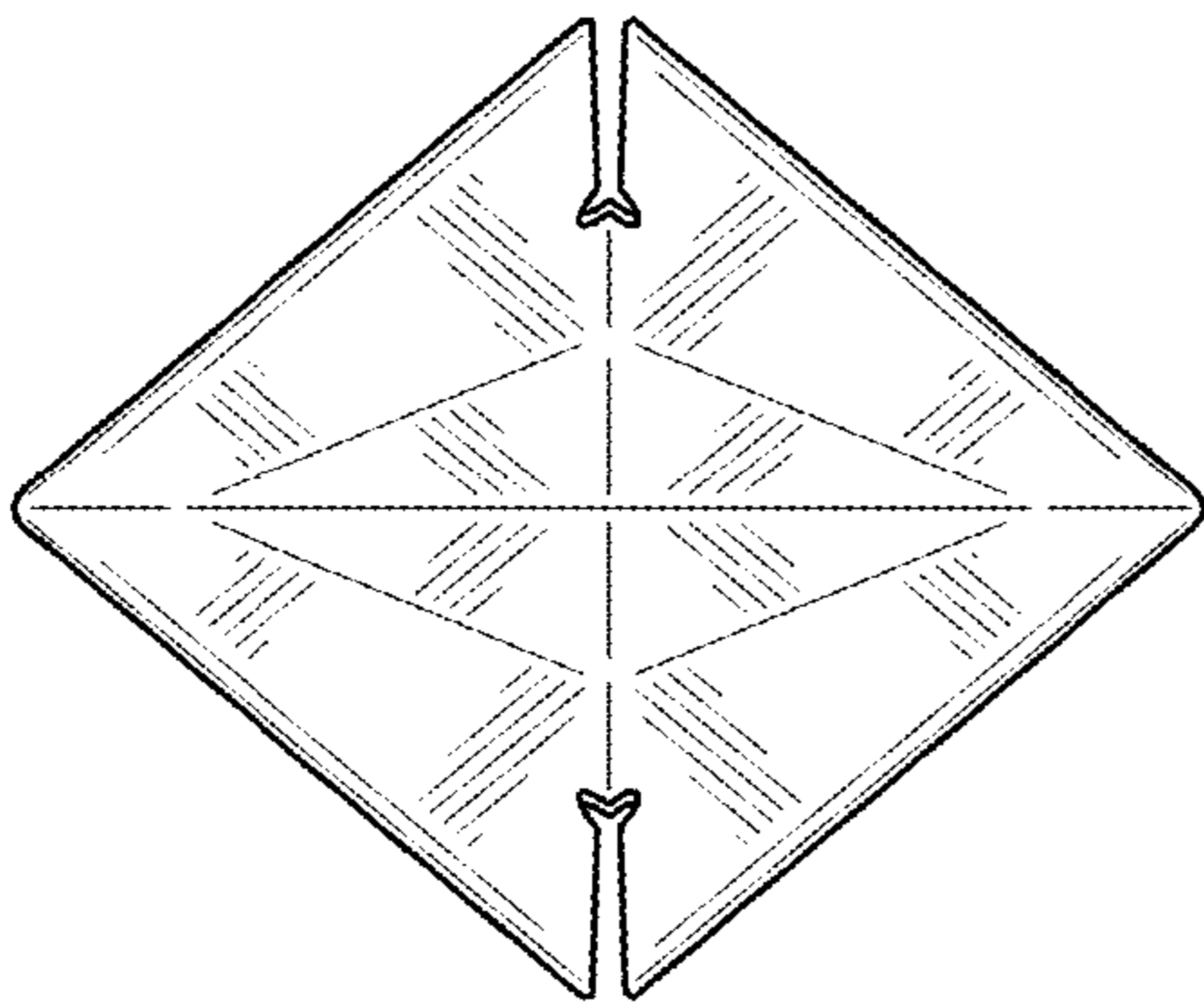


FIG. 6

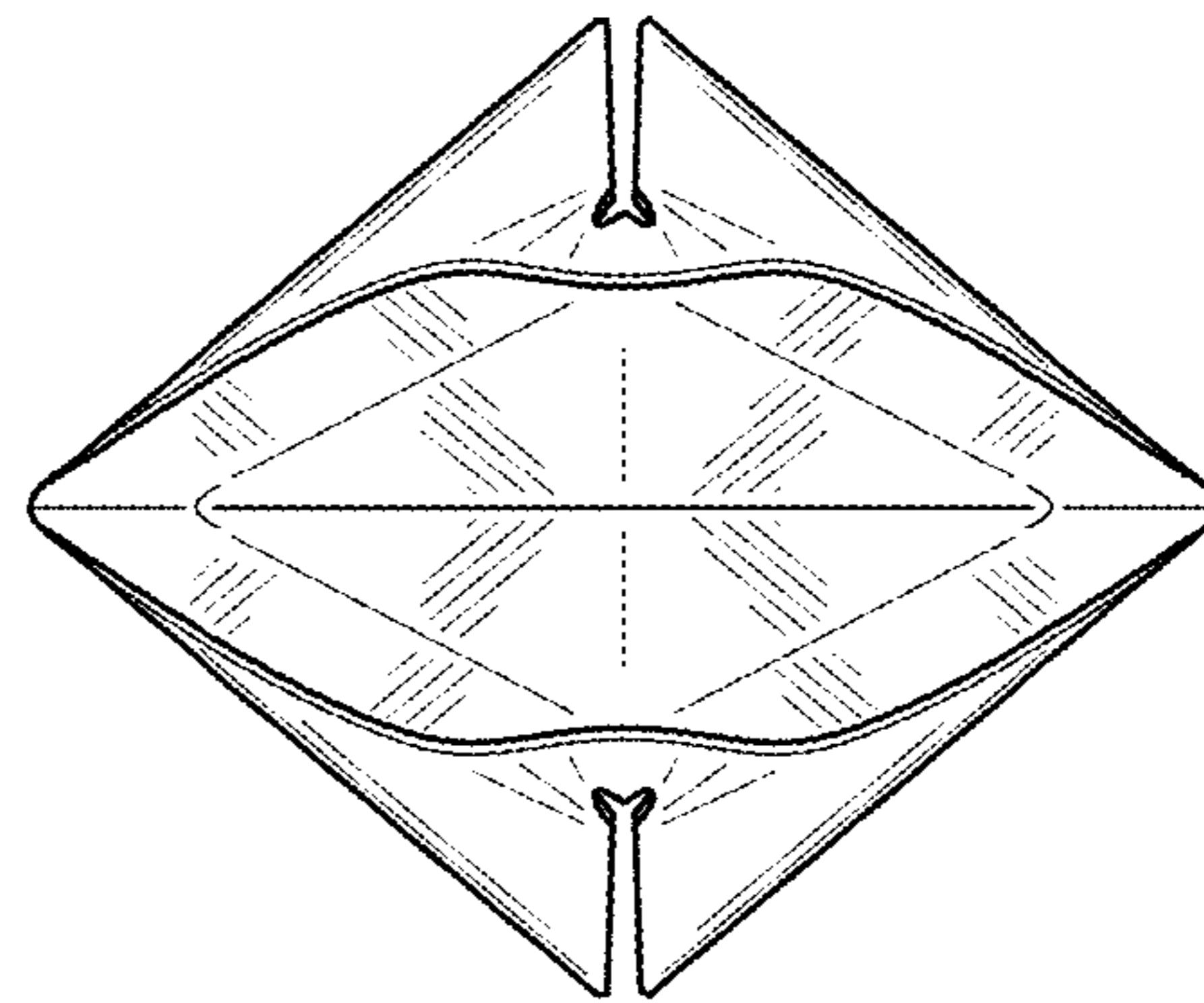


FIG. 7

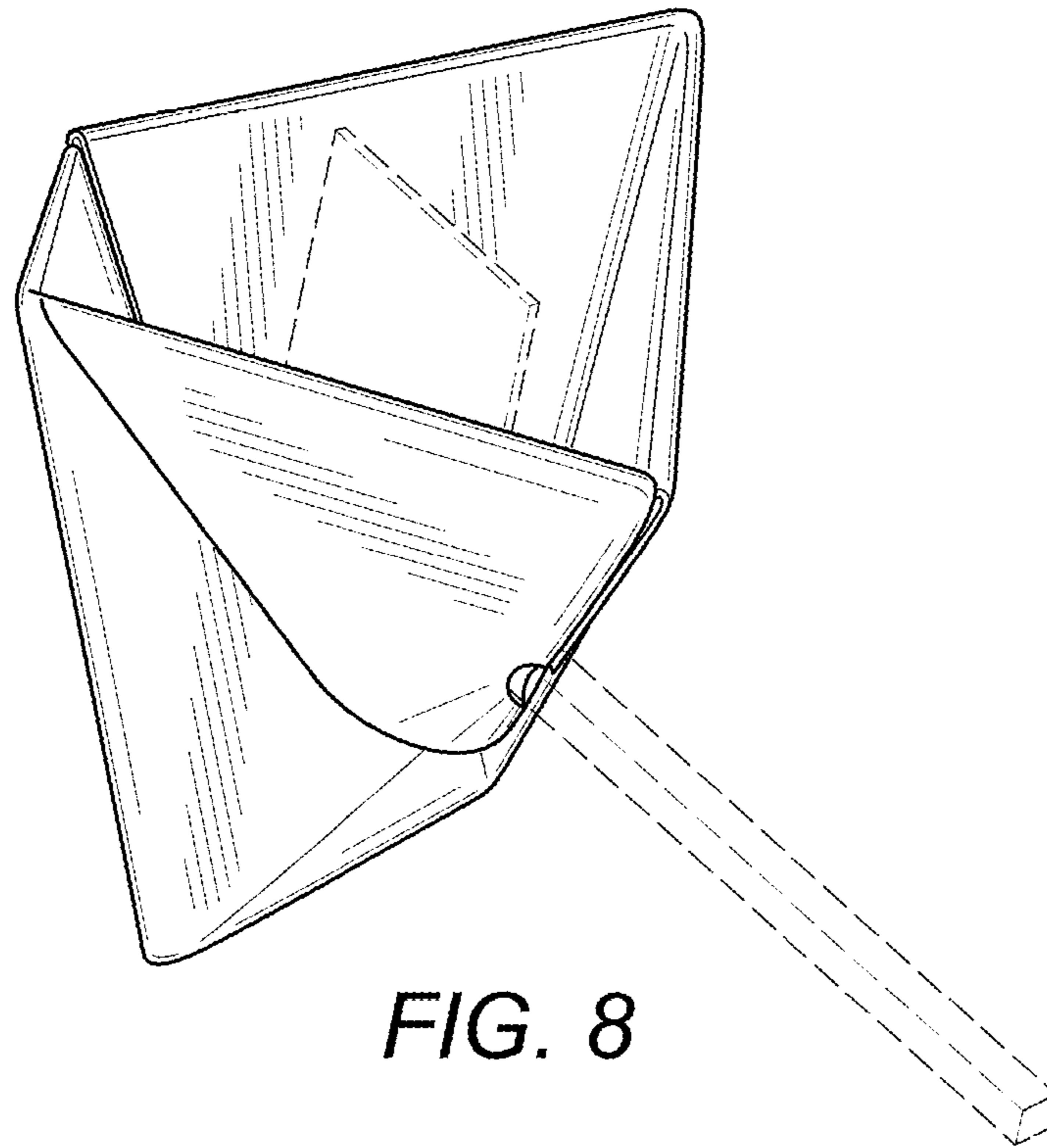


FIG. 8

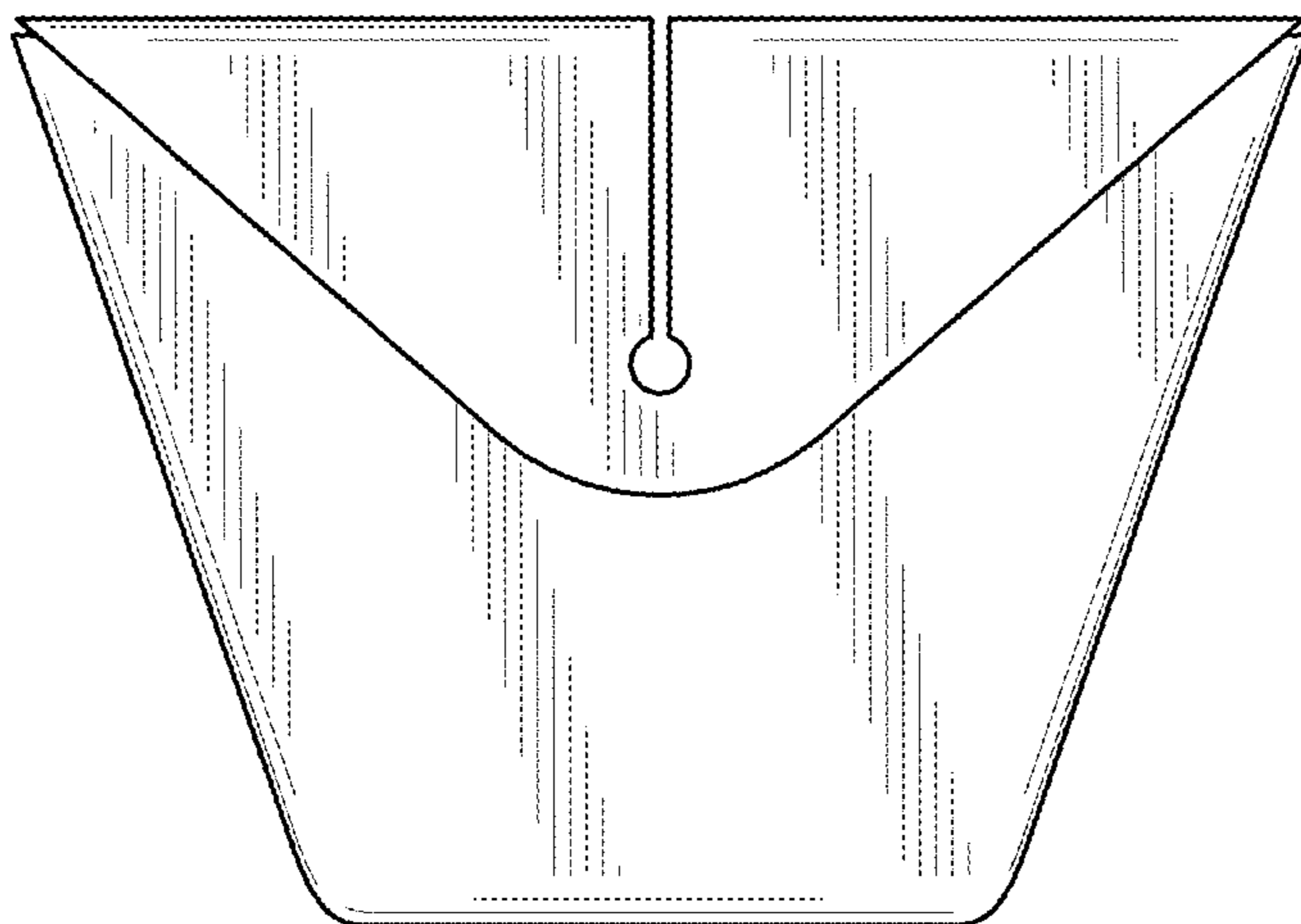


FIG. 9



FIG. 10