



US00D768527S

(12) **United States Design Patent** (10) **Patent No.:** **US D768,527 S**
Monachon (45) **Date of Patent:** **** Oct. 11, 2016**

(54) **DIAL**

D722,901 S * 2/2015 Cerrato D10/126
D724,464 S * 3/2015 Behling D10/126
2005/0232085 A1* 10/2005 Scheufele G04B 19/2536
368/37

(71) Applicant: **OMEGA LTD.**, Biel/Bienne (CH)

(72) Inventor: **Jean-Claude Monachon**, Bevaix (CH)

(73) Assignee: **OMEGA LTD.**, Biel/Bienne (CH)

(**) Term: **15 Years**

(21) Appl. No.: **29/538,987**

(22) Filed: **Sep. 10, 2015**

(30) **Foreign Application Priority Data**

Mar. 10, 2015 (WO) DM/085 820

(51) **LOC (10) Cl.** **10-07**

(52) **U.S. Cl.**
USPC **D10/126**

(58) **Field of Classification Search**
USPC D10/30-39, 122-132, 1-29
CPC G04B 19/00; G04B 19/06; G04B 19/065;
G04B 19/08; G04B 19/10; G04B 19/106;
G04B 19/26; G04B 19/262; G04B 19/268
See application file for complete search history.

(56) **References Cited**

U.S. PATENT DOCUMENTS

D178,091 S * 6/1956 Sparks D10/39
D634,651 S * 3/2011 Jorst D10/39
D648,638 S * 11/2011 Monachon D10/39
D650,705 S * 12/2011 Blank D10/32

OTHER PUBLICATIONS

Omega Watches Globemaster Annual Calendar, as posted as OmegaWatches [online], posting date not available [site visited Jun. 17, 2016]. Available from the Internet, <URL: <https://www.omegawatches.com/watches/baselworld2016/globemaster-annualcalendar/>>.*

* cited by examiner

Primary Examiner — Catheri Oliver-Garcia

Assistant Examiner — Rebekah A Caruso

(74) *Attorney, Agent, or Firm* — Donald J. Ranft; Collen IP

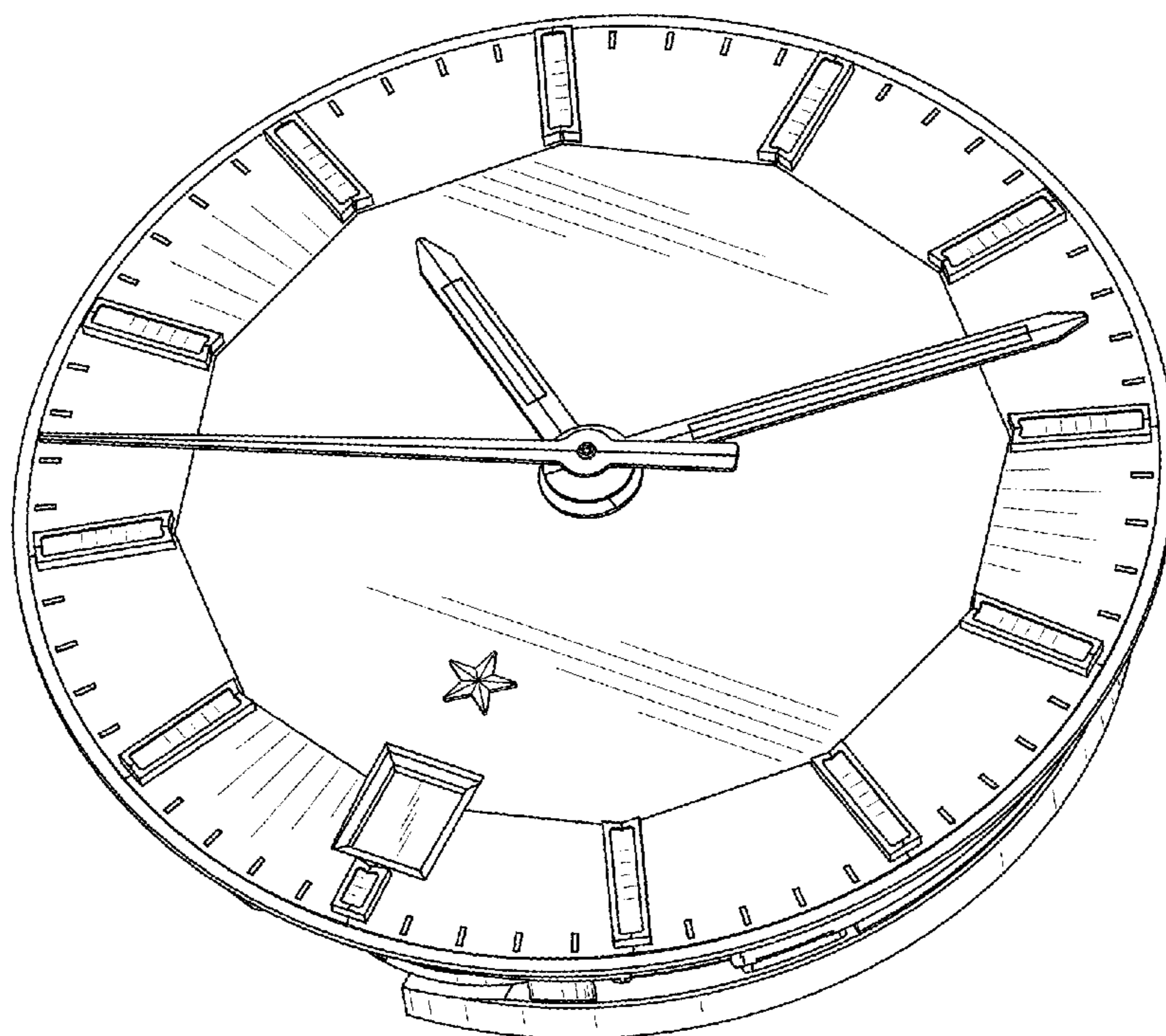
(57) **CLAIM**

The ornamental design for a dial, as shown and described.

DESCRIPTION

FIG. 1 is a front right perspective view of a dial showing my new design;
FIG. 2 is a front view thereof;
FIG. 3 is a rear view thereof;
FIG. 4 is a left side view thereof;
FIG. 5 is a right side view thereof;
FIG. 6 is a top view thereof;
FIG. 7 is a bottom view thereof; and,
FIG. 8 is a rear right perspective view thereof.
The portions of the dial shown in broken lines form no part of the claimed design.

1 Claim, 6 Drawing Sheets



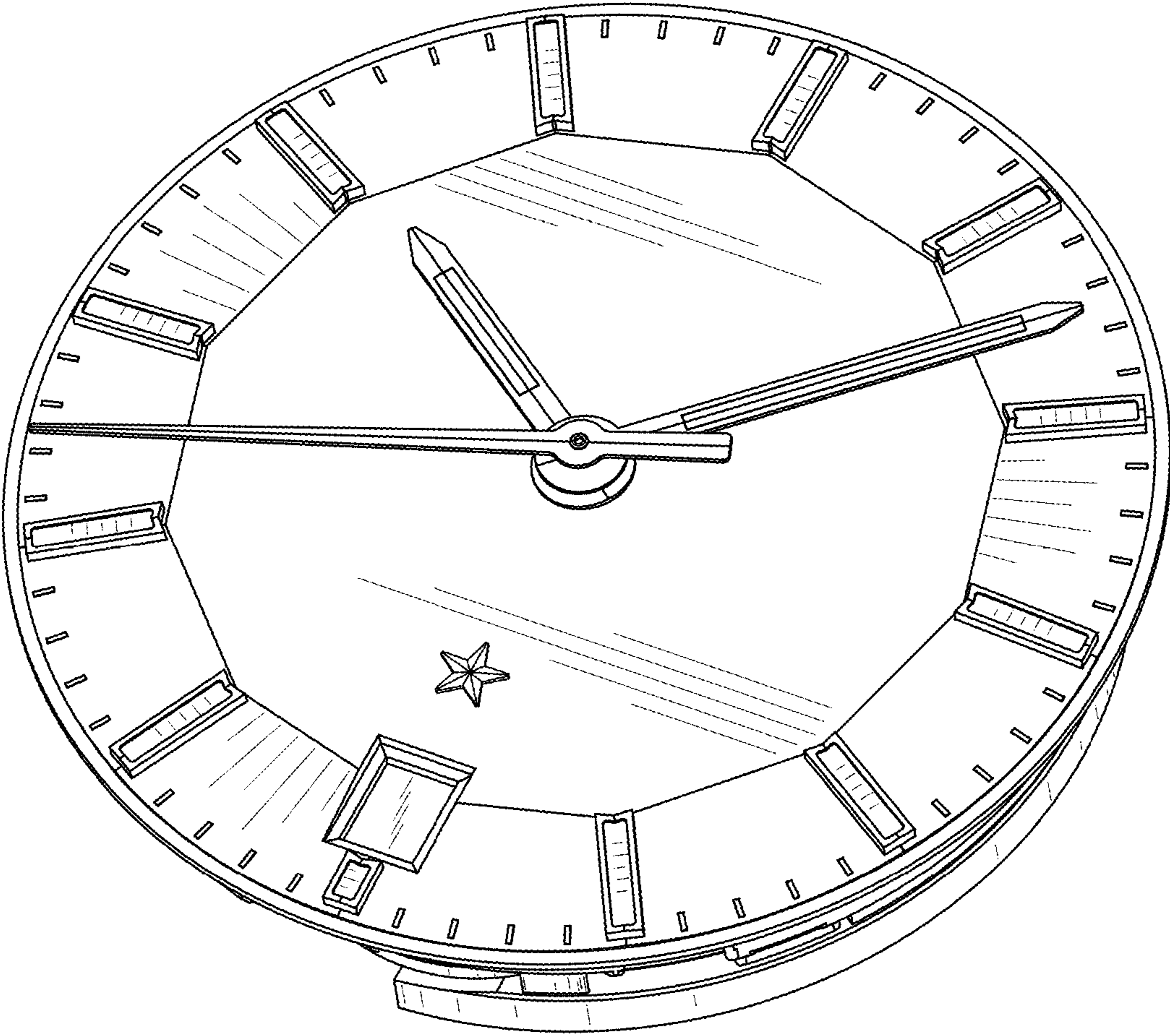


FIG. 1

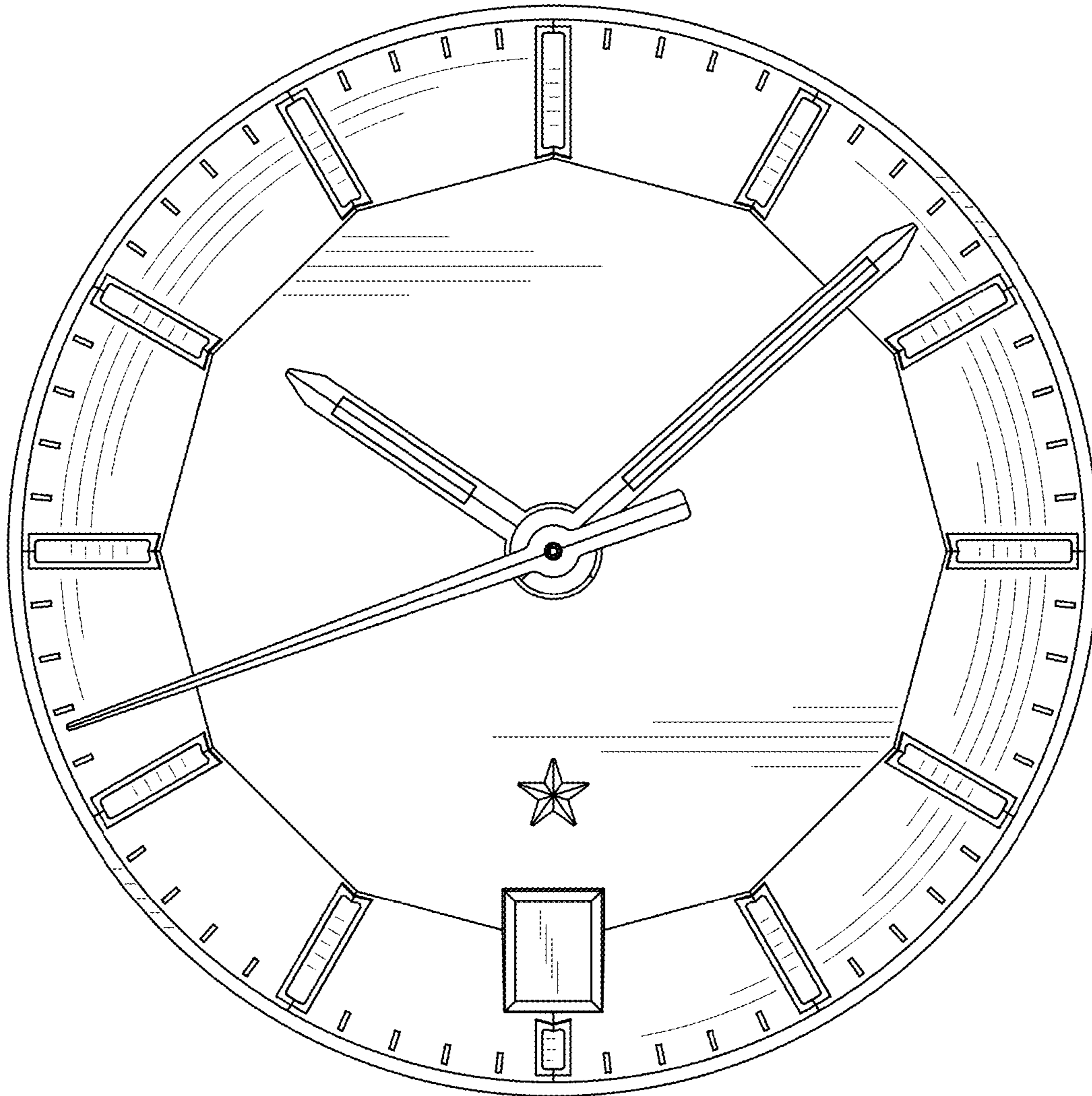


FIG. 2

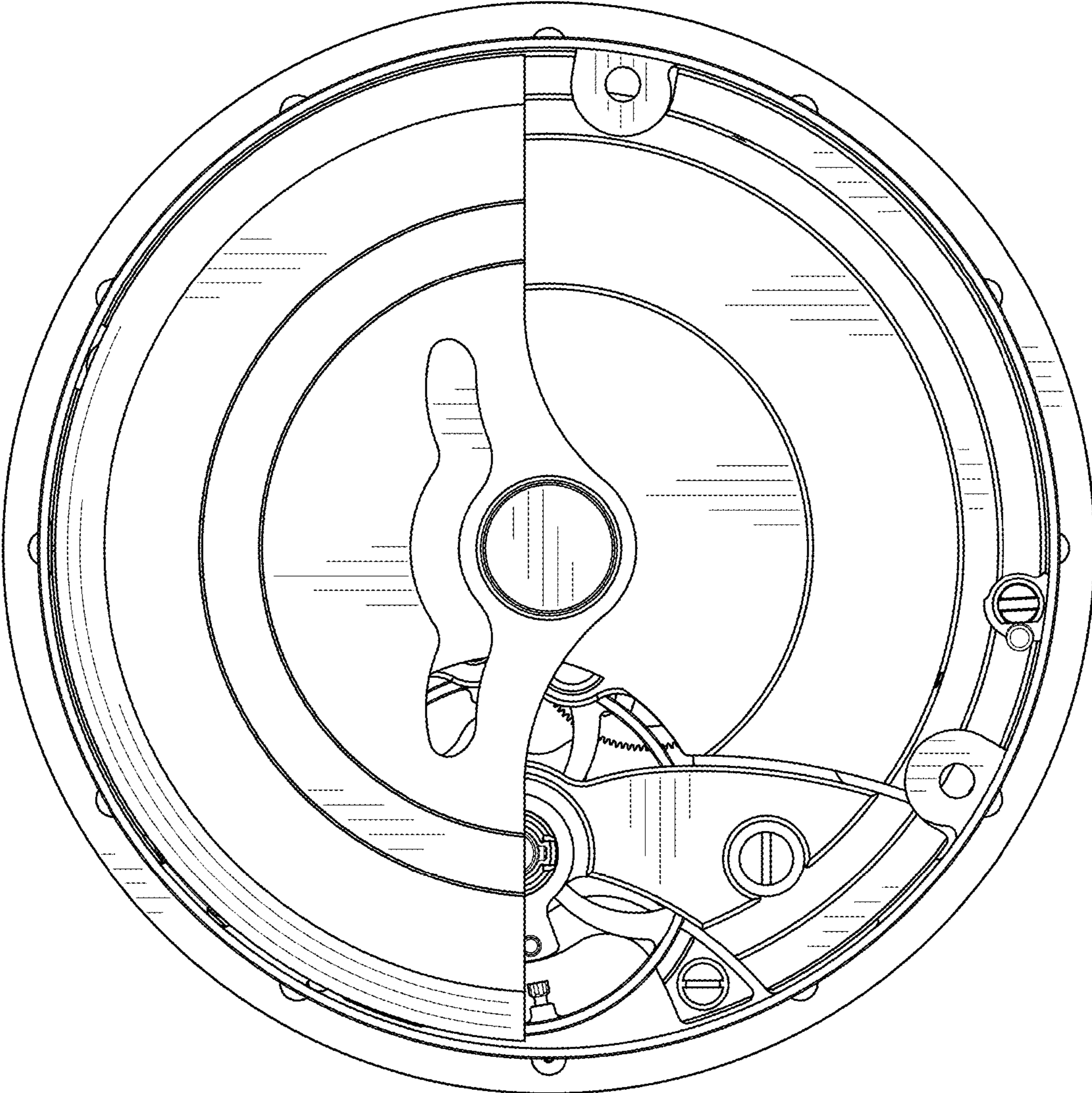


FIG. 3

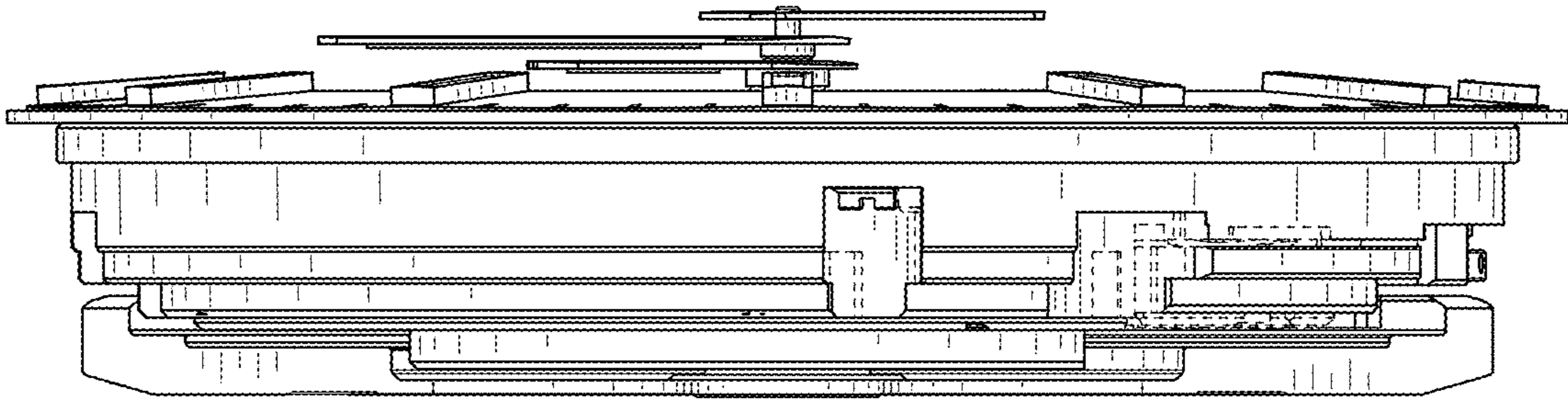


FIG. 4

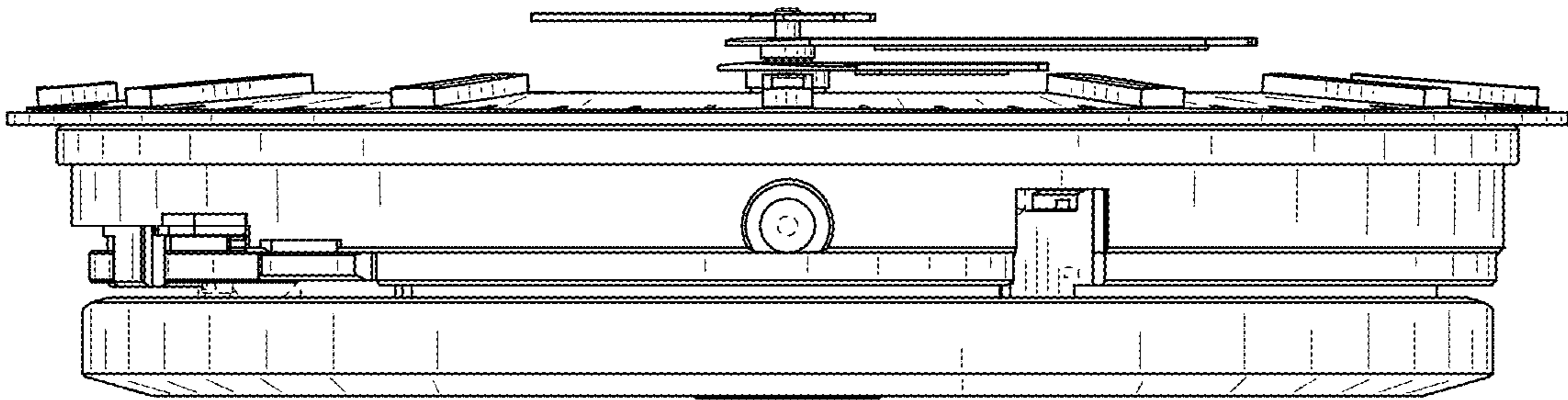


FIG. 5

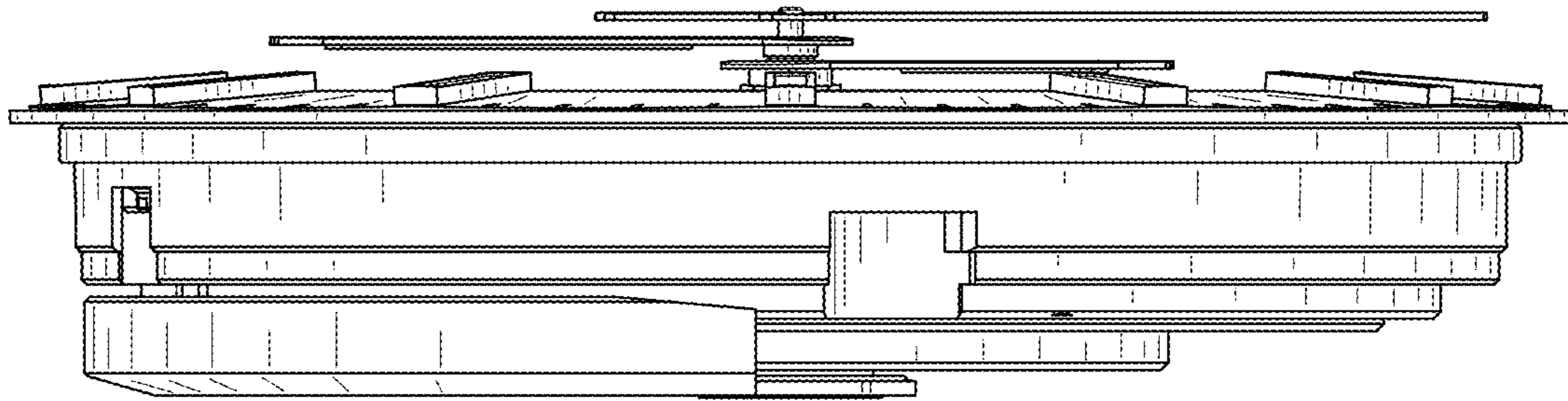


FIG. 6

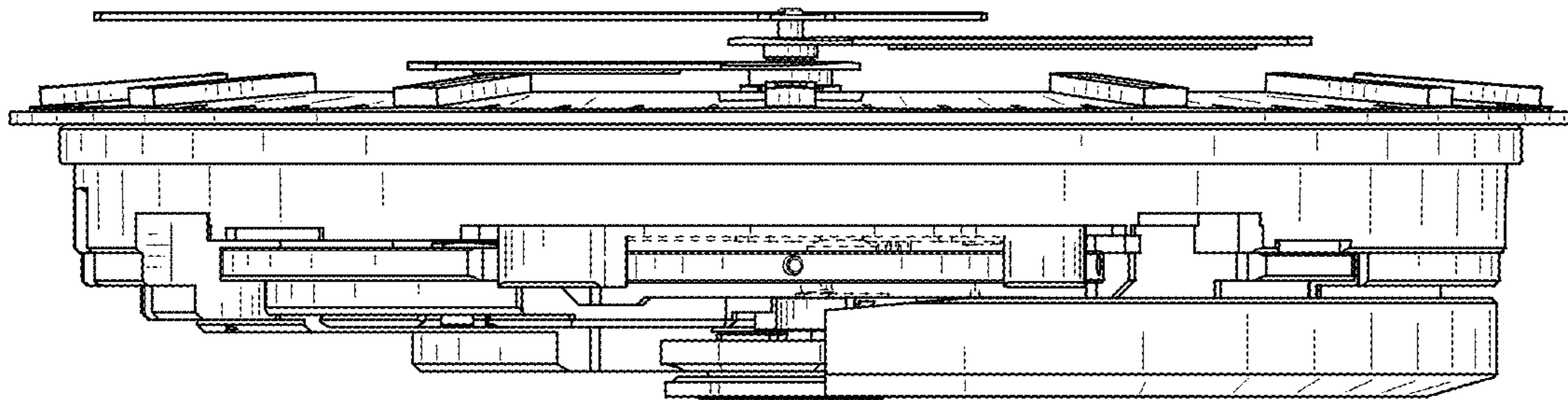


FIG. 7

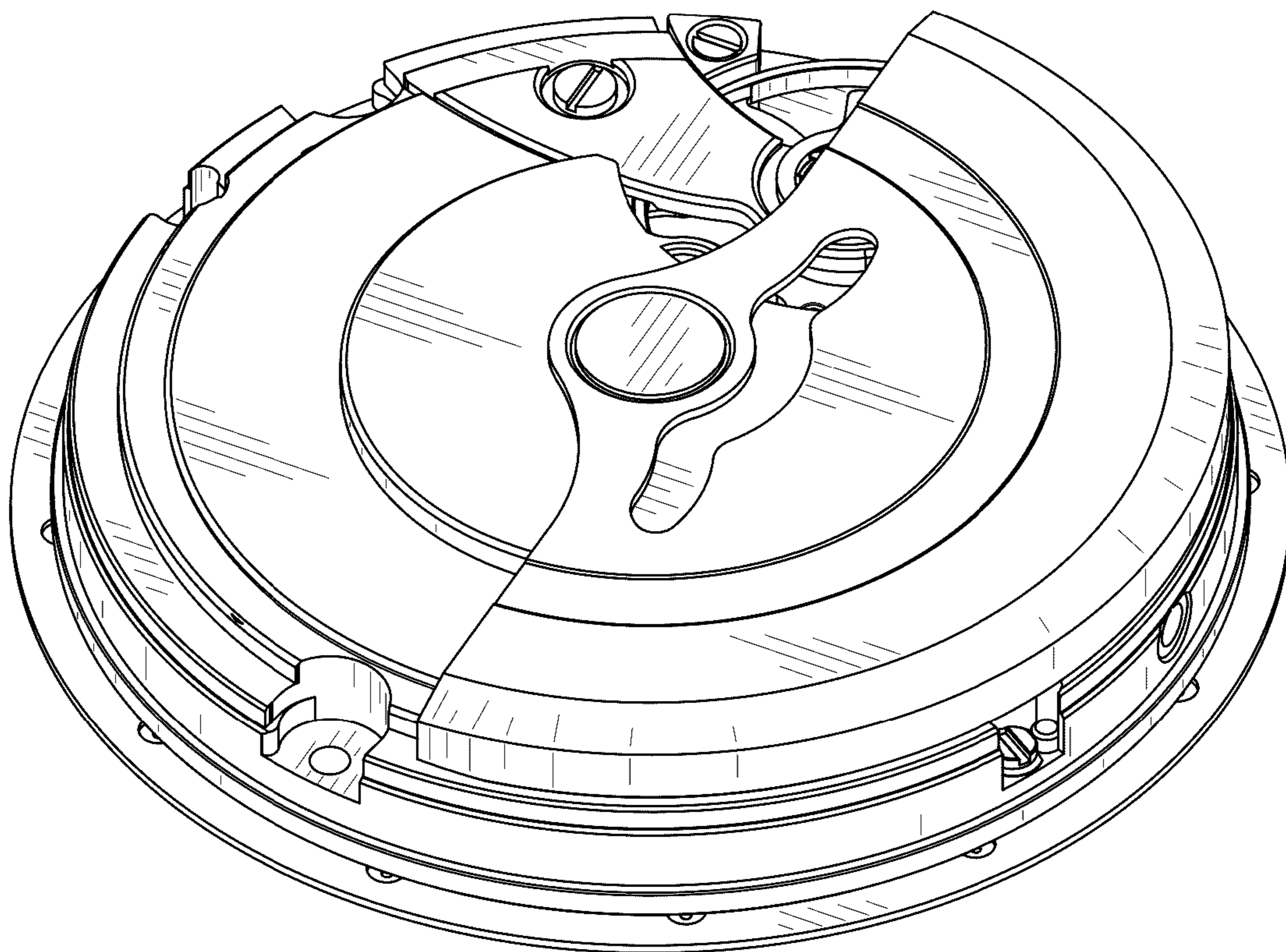


FIG. 8