



US00D768526S

(12) **United States Design Patent**  
**Cerrato**

(10) **Patent No.:** **US D768,526 S**

(45) **Date of Patent:** **\*\* Oct. 11, 2016**

(54) **WATCH DIAL**

(71) Applicant: **TUDOR WATCH U.S.A., LLC**, New York, NY (US)

(72) Inventor: **Davide Cerrato**, Geneva (CH)

(73) Assignee: **TUDOR WATCH U.S.A., LLC**, New York, NY (US)

(\*\*) Term: **15 Years**

(21) Appl. No.: **29/537,494**

(22) Filed: **Aug. 26, 2015**

(30) **Foreign Application Priority Data**

Feb. 26, 2015 (CH) ..... 141308

(51) **LOC (10) Cl.** ..... **10-07**

(52) **U.S. Cl.**  
USPC ..... **D10/126**

(58) **Field of Classification Search**  
USPC ..... D10/1-39, 122-130, 45; D11/44;  
368/20-21, 28, 223  
CPC ..... G04B 19/06; G04B 19/10; G04B 19/12;  
G04B 19/08; G04B 19/103; G04B 19/106;  
G04B 47/042; G04G 9/087  
See application file for complete search history.

(56) **References Cited**

**U.S. PATENT DOCUMENTS**

D367,240 S \* 2/1996 Svast ..... D10/126  
D378,201 S \* 2/1997 Svast ..... D10/126  
D514,974 S \* 2/2006 Andreatta ..... D10/126  
D531,536 S \* 11/2006 Lovegrove ..... D10/126  
D569,276 S \* 5/2008 Scheufele ..... D10/39  
D599,219 S \* 9/2009 Fontana ..... D10/39

D628,911 S \* 12/2010 Giannini ..... D10/32  
D644,943 S \* 9/2011 Crocco ..... D10/39  
D701,134 S \* 3/2014 Cerrato ..... D10/126  
D716,670 S \* 11/2014 Ghielmini ..... D10/32  
D722,901 S \* 2/2015 Cerrato ..... D10/126  
D723,963 S \* 3/2015 Gueit ..... D10/126  
D724,465 S \* 3/2015 Gueit ..... D10/126  
D732,985 S \* 6/2015 Cerrato ..... D10/39  
D743,827 S \* 11/2015 Prince ..... D10/122  
D746,713 S \* 1/2016 Cerrato ..... D10/126  
D748,501 S \* 2/2016 Cerrato ..... D10/30  
D750,505 S \* 3/2016 Cerrato ..... D10/30  
2011/0063953 A1\* 3/2011 Hasegawa ..... G04C 3/143  
368/80  
2013/0070573 A1\* 3/2013 Oshio ..... G04B 47/042  
368/235

\* cited by examiner

*Primary Examiner* — Rosemary K Tarcza

*Assistant Examiner* — James Thorn, Sr.

(74) *Attorney, Agent, or Firm* — Sughrue Mion, PLLC

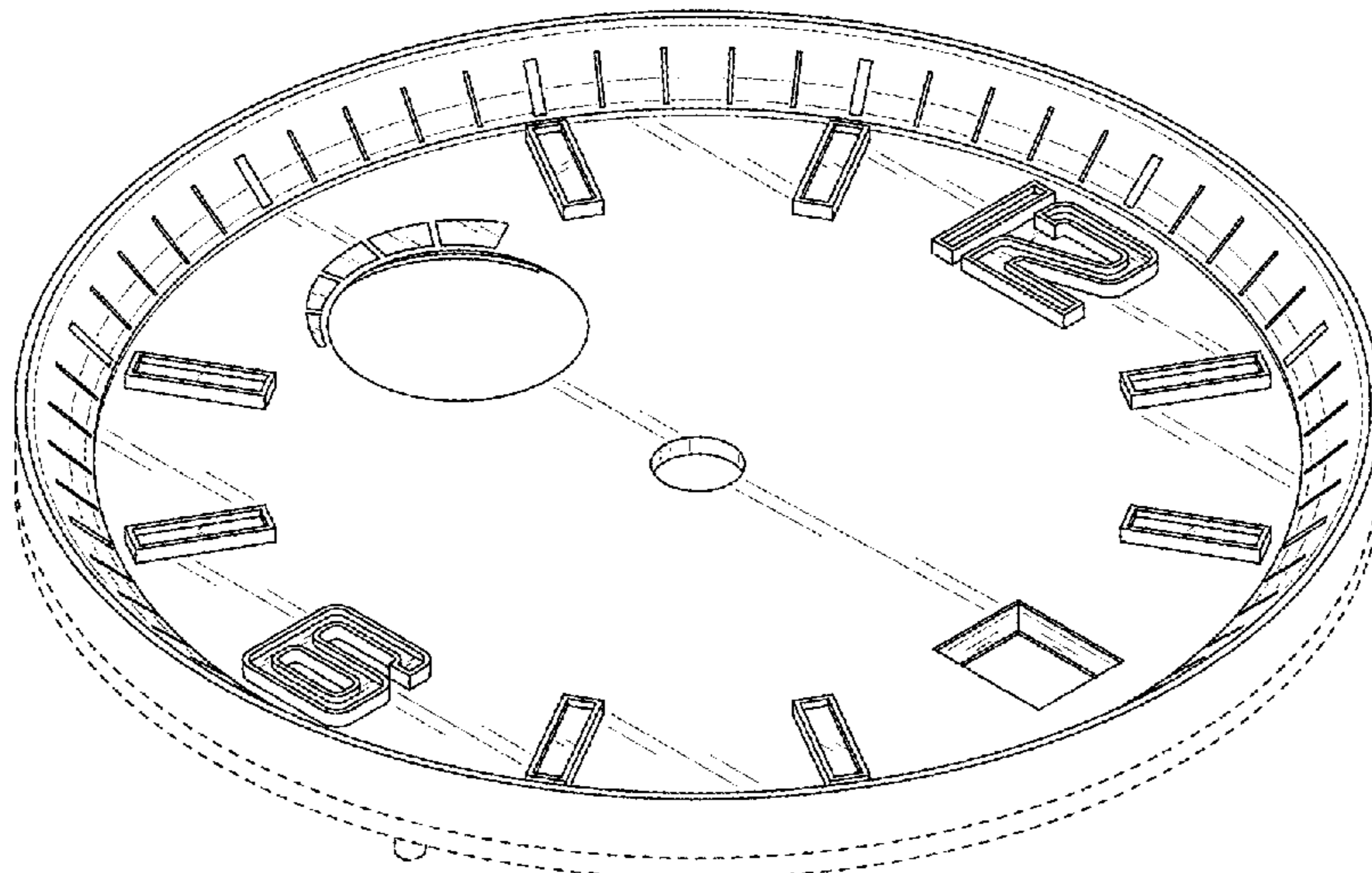
(57) **CLAIM**

The ornamental design for a watch dial, as shown and described.

**DESCRIPTION**

FIG. 1 is a perspective view of the watch dial according to my new design;  
FIG. 2 is a front view thereof;  
FIG. 3 is a rear view thereof;  
FIG. 4 is a left side view thereof;  
FIG. 5 is a right side view thereof;  
FIG. 6 is a top view thereof; and,  
FIG. 7 is a bottom view thereof.  
The features shown in dash-dash broken lines form no part of the claimed design.

**1 Claim, 5 Drawing Sheets**



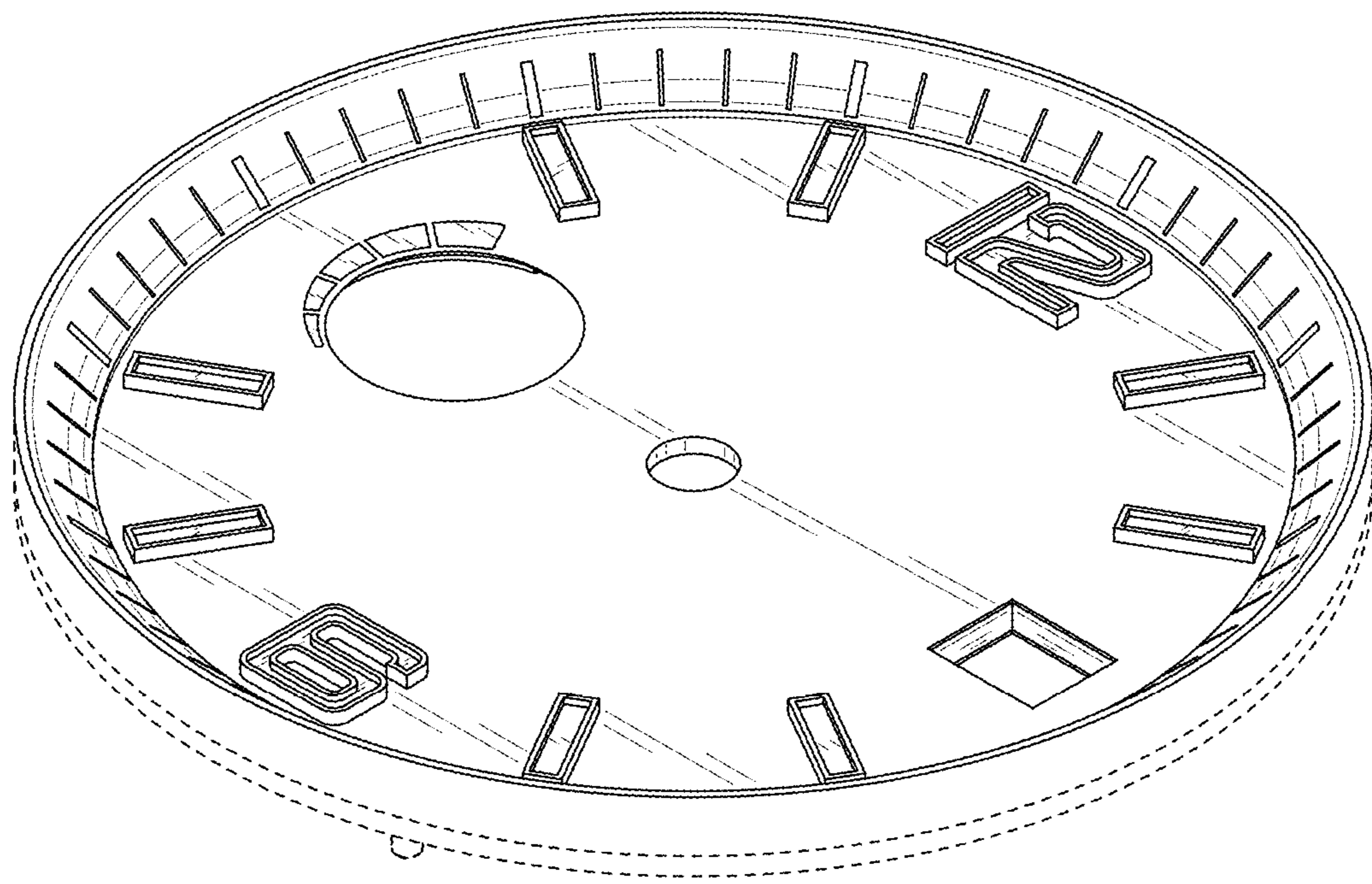


FIG. 1

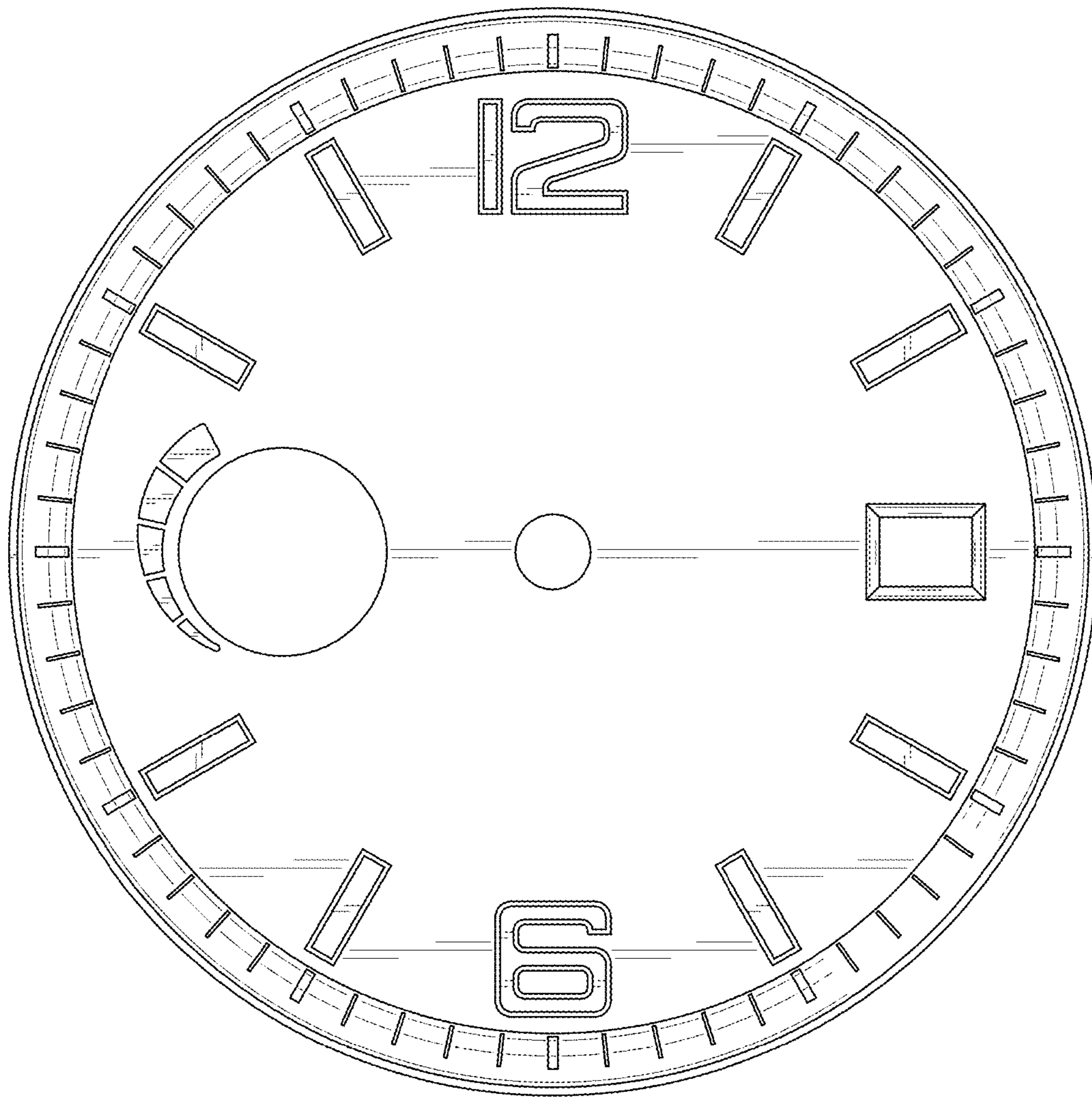


FIG. 2

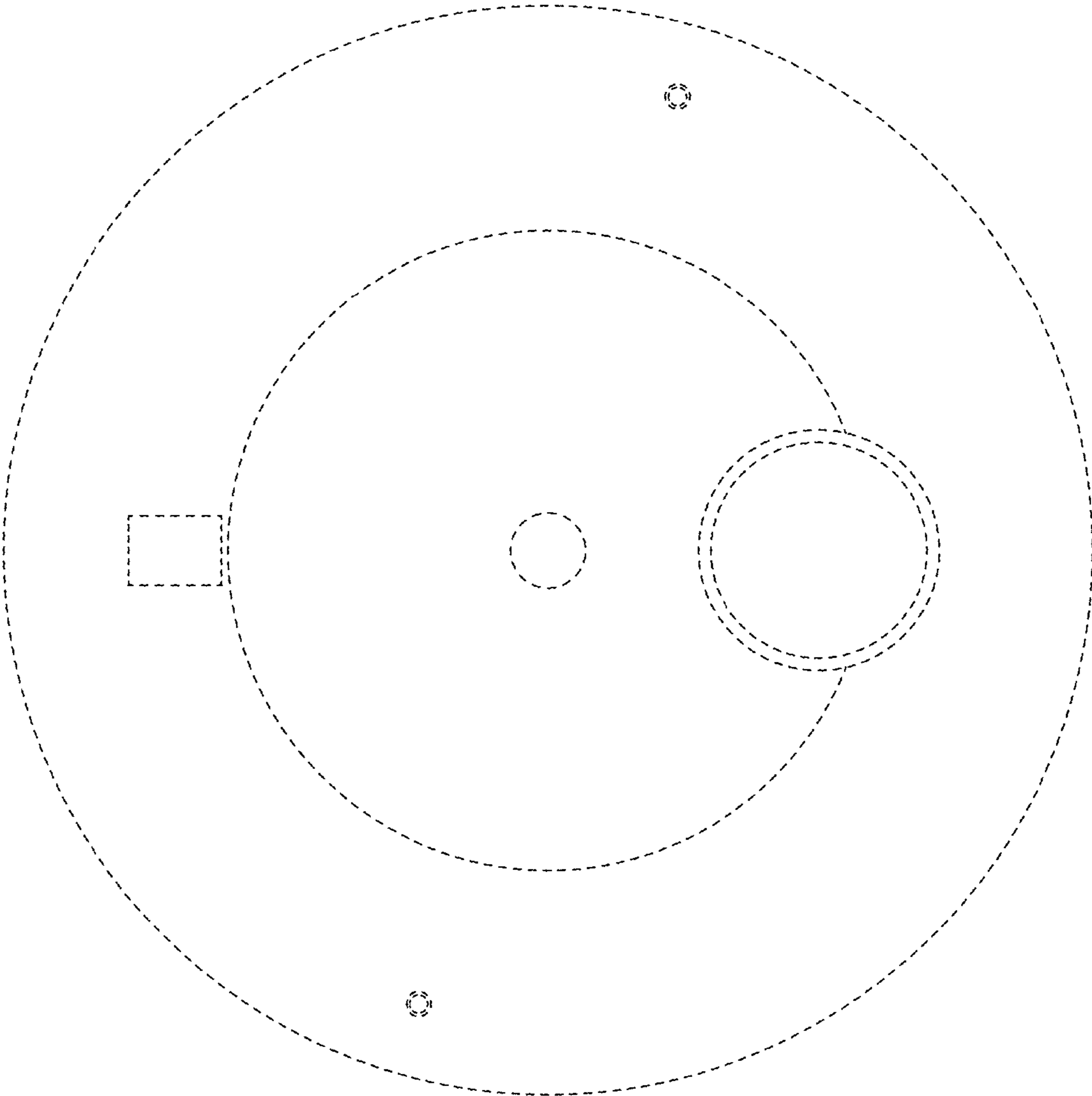


FIG. 3

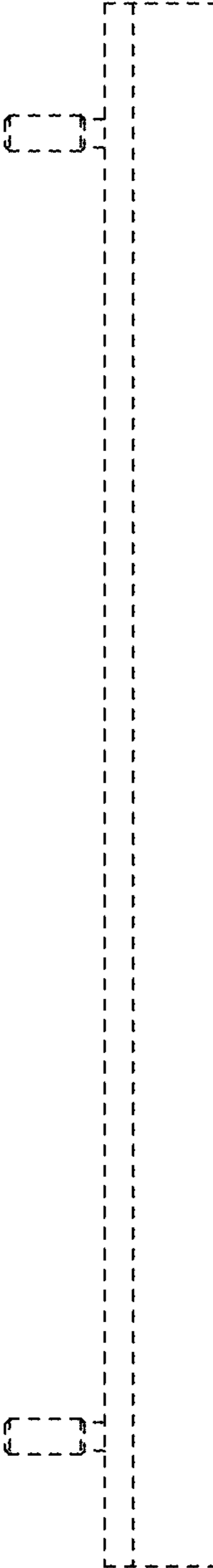


FIG. 4

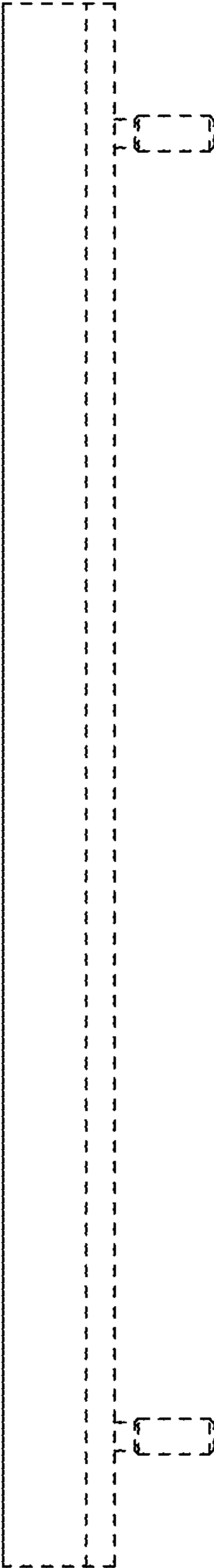


FIG. 5

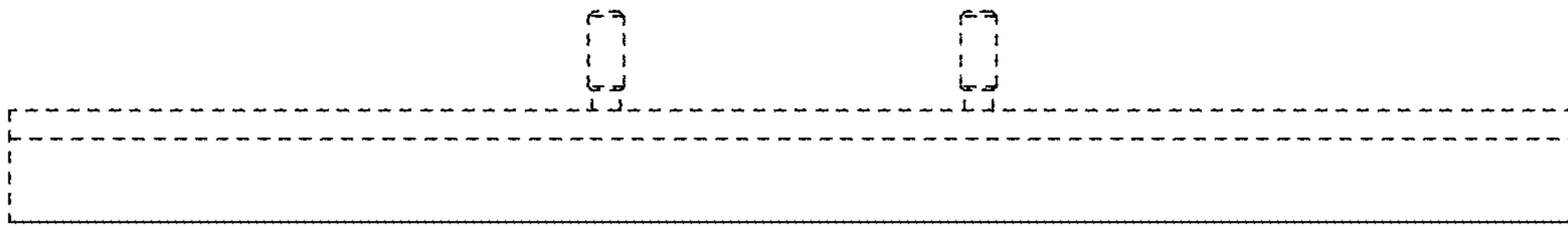


FIG. 6

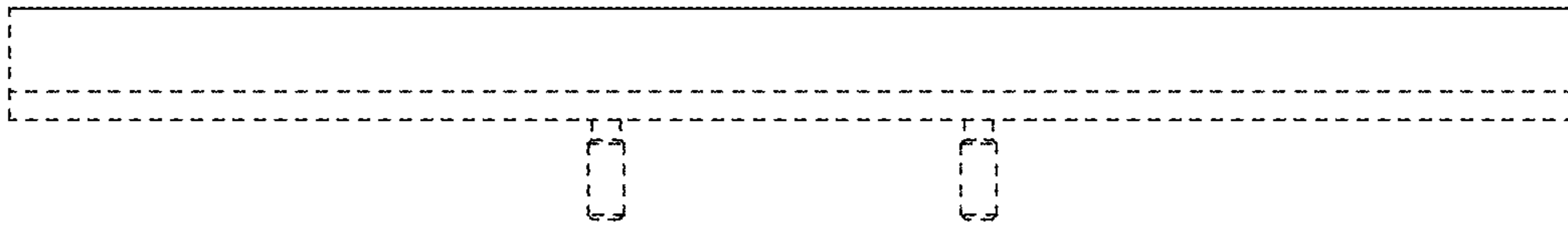


FIG. 7