



US00D768522S

(12) **United States Design Patent**  
**Liang**

(10) **Patent No.:** **US D768,522 S**

(45) **Date of Patent:** **\*\* Oct. 11, 2016**

(54) **SOLAR POWERED LAMP**

*Primary Examiner* — Marcus Jackson

(71) Applicant: **Qinghui Liang**, Fujian Province (CN)

(72) Inventor: **Qinghui Liang**, Fujian Province (CN)

(57) **CLAIM**

(\*\*) Term: **15 Years**

The ornamental design for a solar powered lamp, as shown and described.

(21) Appl. No.: **29/533,302**

(22) Filed: **Jul. 16, 2015**

(51) **LOC (10) Cl.** ..... **10-05**

(52) **U.S. Cl.**

USPC ..... **D10/106.8**; D26/65

(58) **Field of Classification Search**

USPC ..... D26/61-68; D10/106.8; 340/521, 540,  
340/541, 542, 555, 556

CPC ..... H01J 5/48; H01J 5/50; H01J 19/54;  
F21V 5/00

See application file for complete search history.

**DESCRIPTION**

FIG. 1 is a front elevational view of a solar powered lamp showing my new design;

FIG. 2 is a rear elevational view thereof;

FIG. 3 is a left side view thereof;

FIG. 4 is a right side view thereof;

FIG. 5 is a top plan view thereof;

FIG. 6 is a bottom plan view thereof;

FIG. 7 is a perspective view thereof;

FIG. 8 is a perspective view thereof; and,

FIG. 9 is a perspective view thereof in a state of use.

(56) **References Cited**

**U.S. PATENT DOCUMENTS**

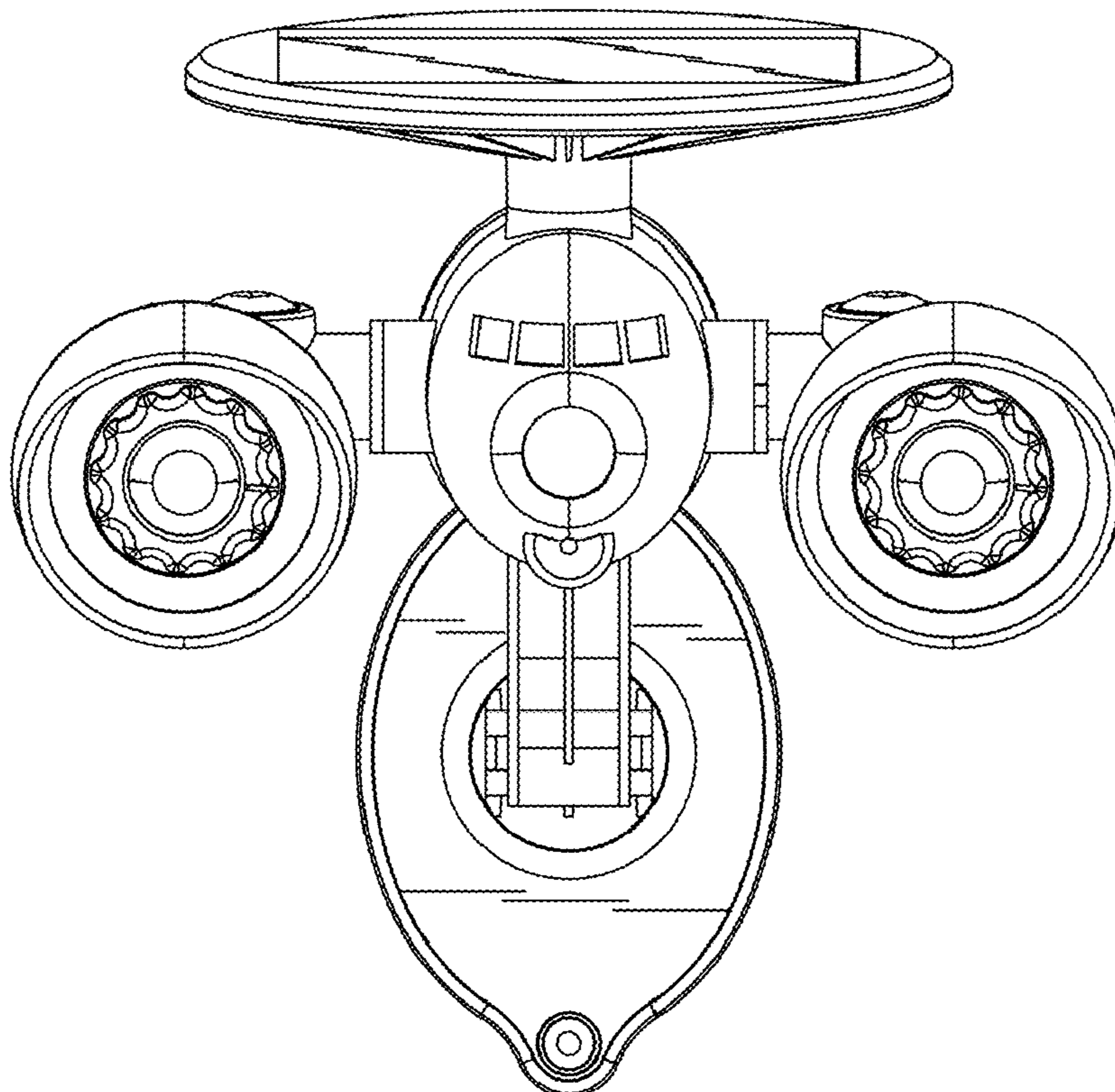
D360,960 S \* 8/1995 Wedell ..... D26/63

D392,065 S \* 3/1998 Morrow ..... D10/106.1

D424,727 S \* 5/2000 Greubel ..... D10/104.1

\* cited by examiner

**1 Claim, 6 Drawing Sheets**



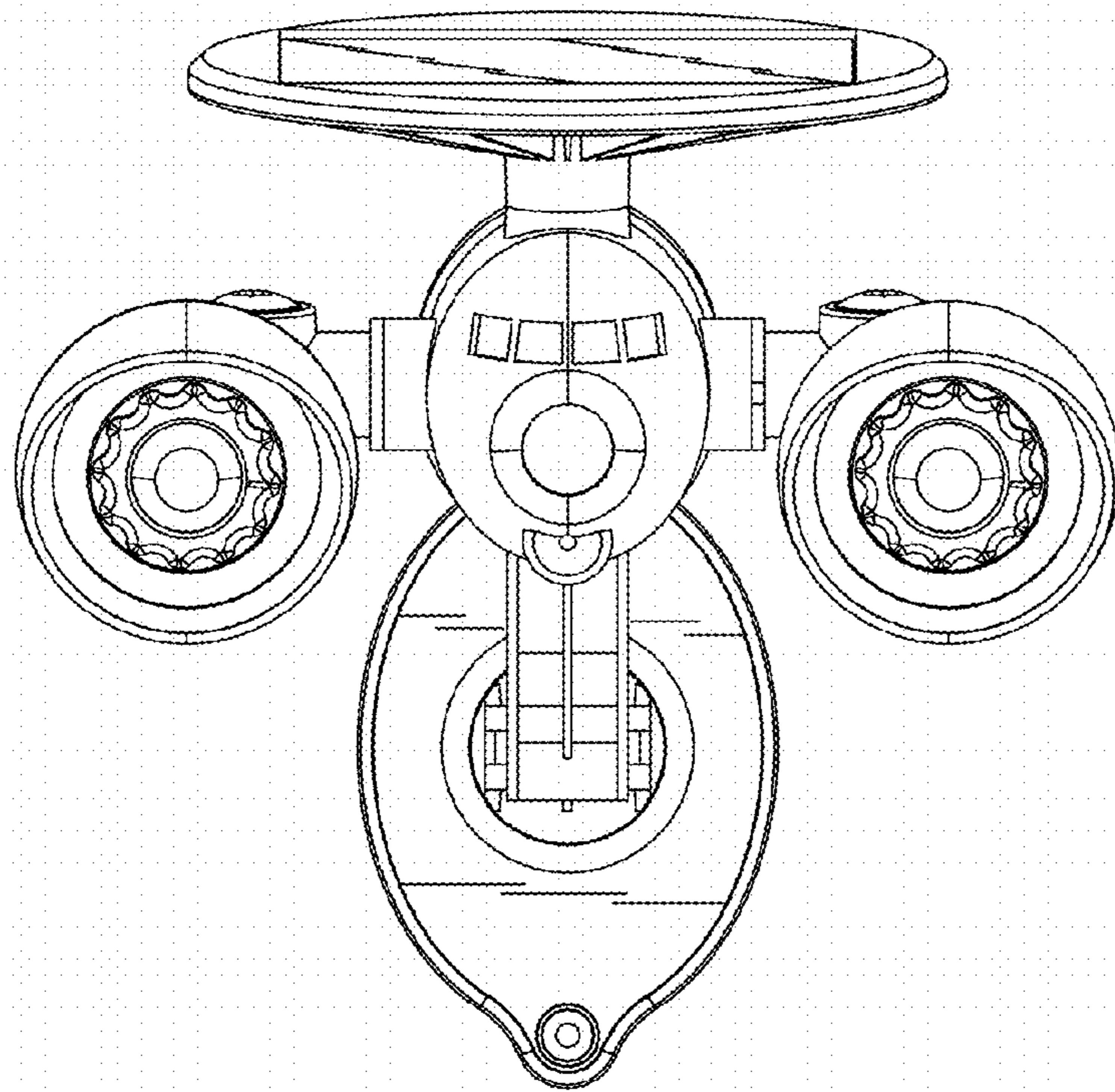


FIG. 1

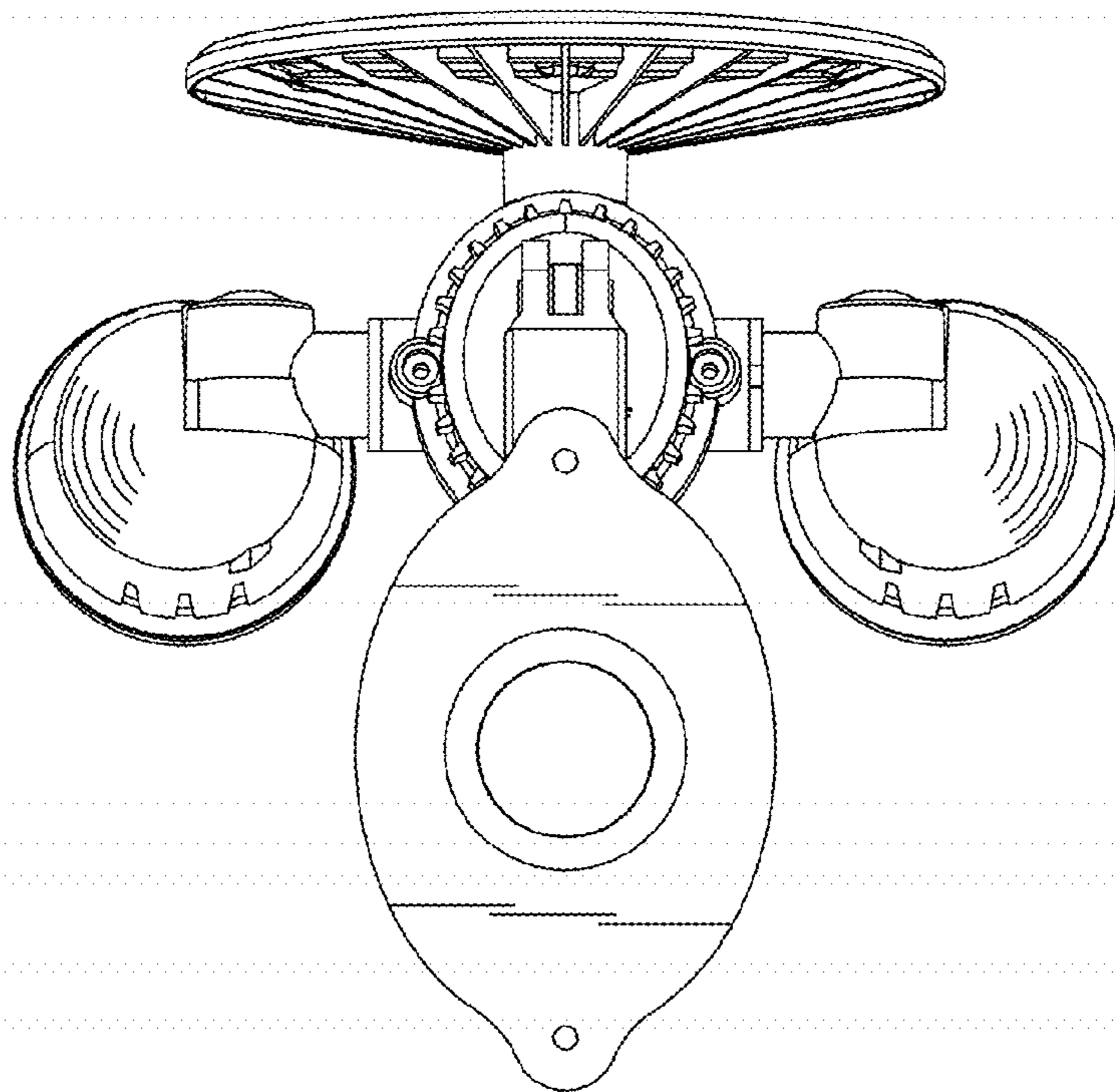


FIG. 2

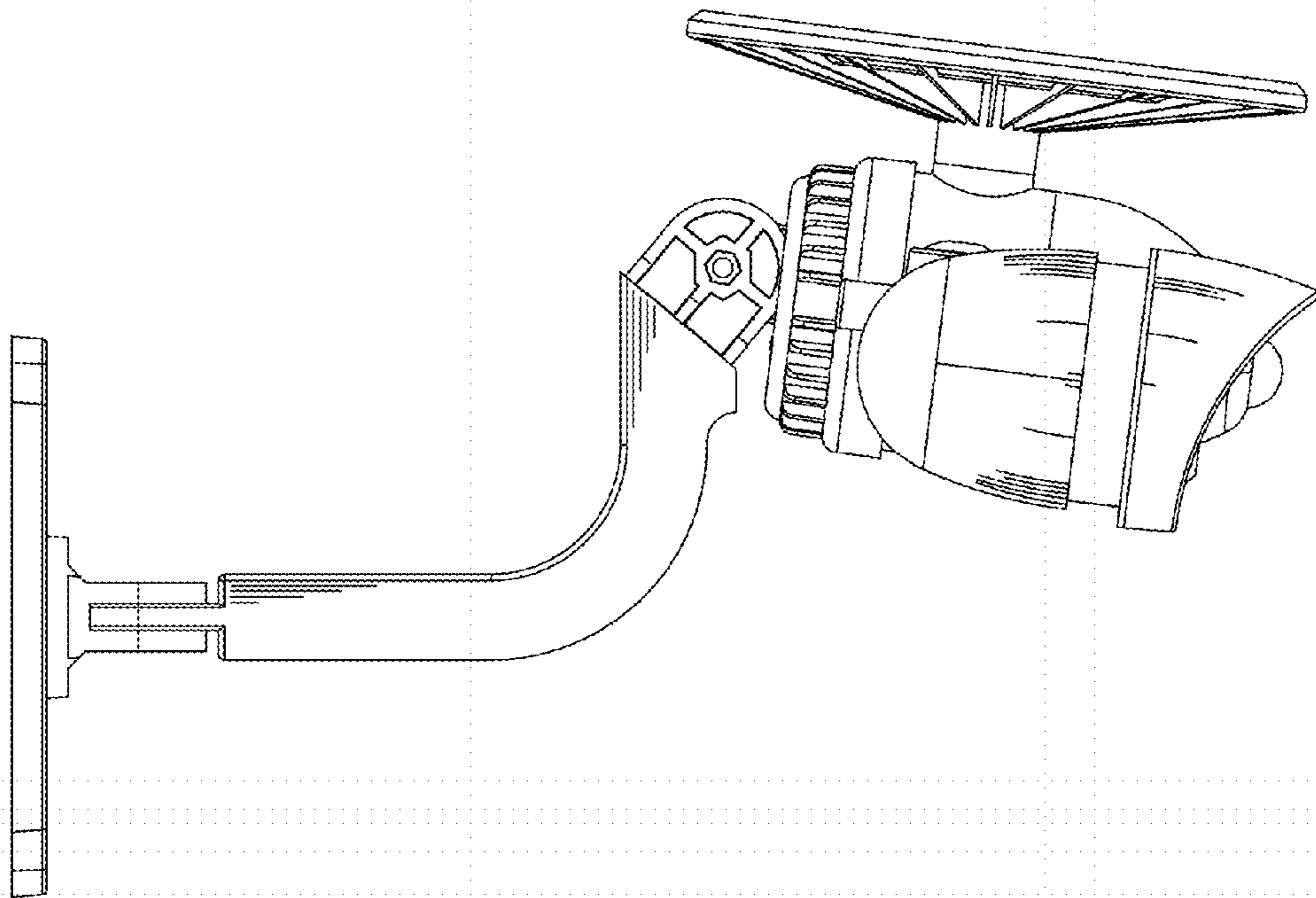


FIG. 3

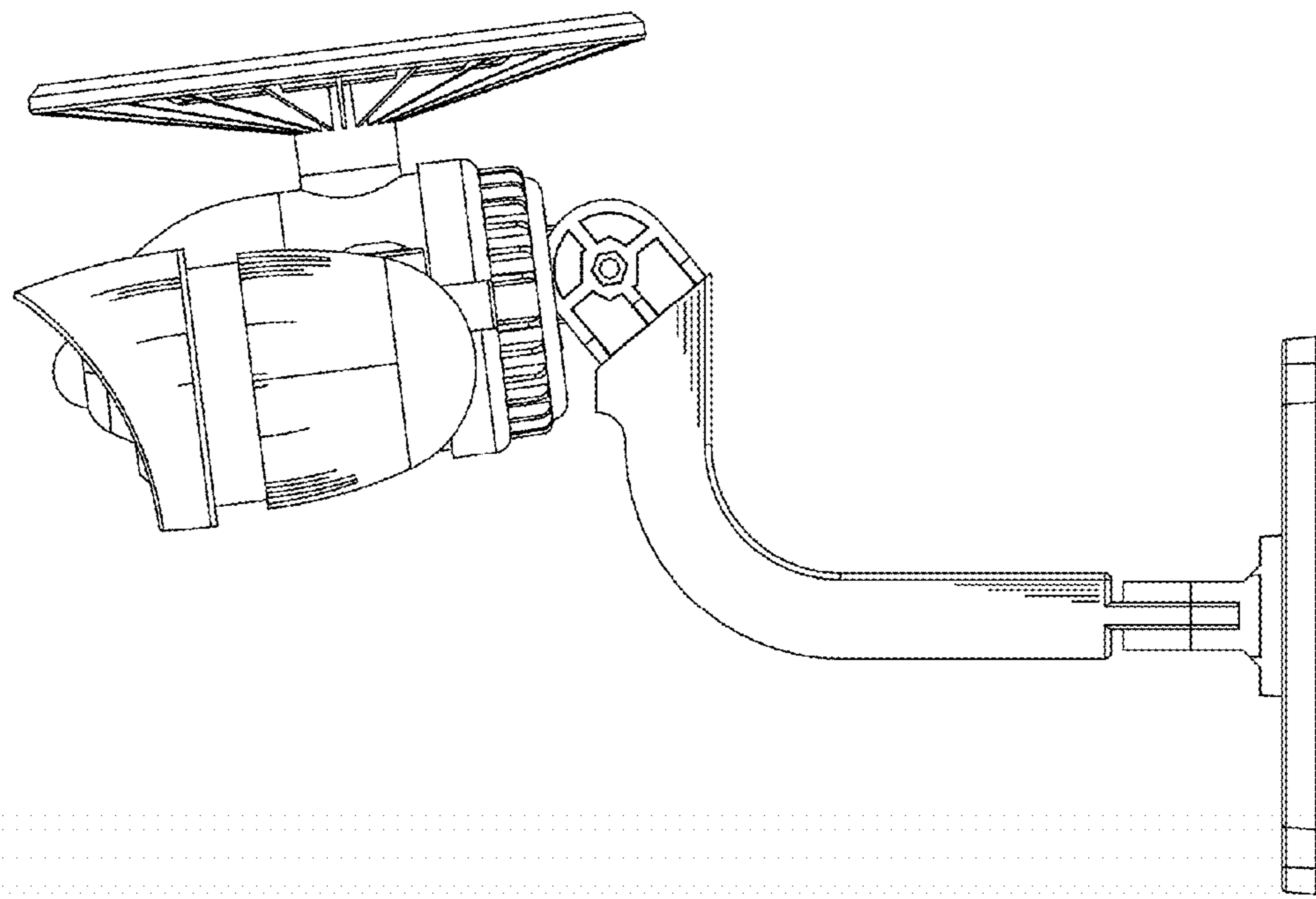


FIG. 4

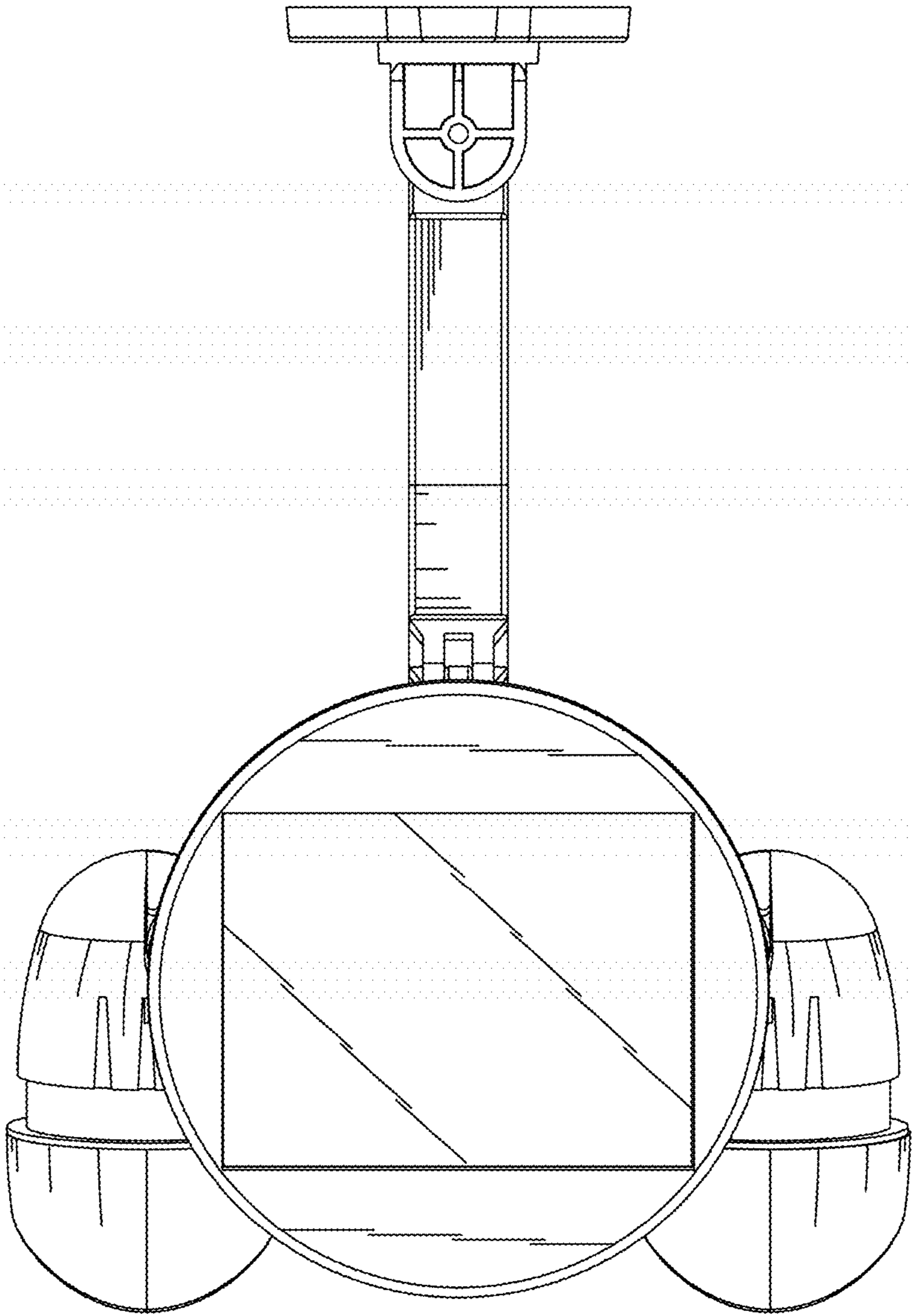


FIG. 5

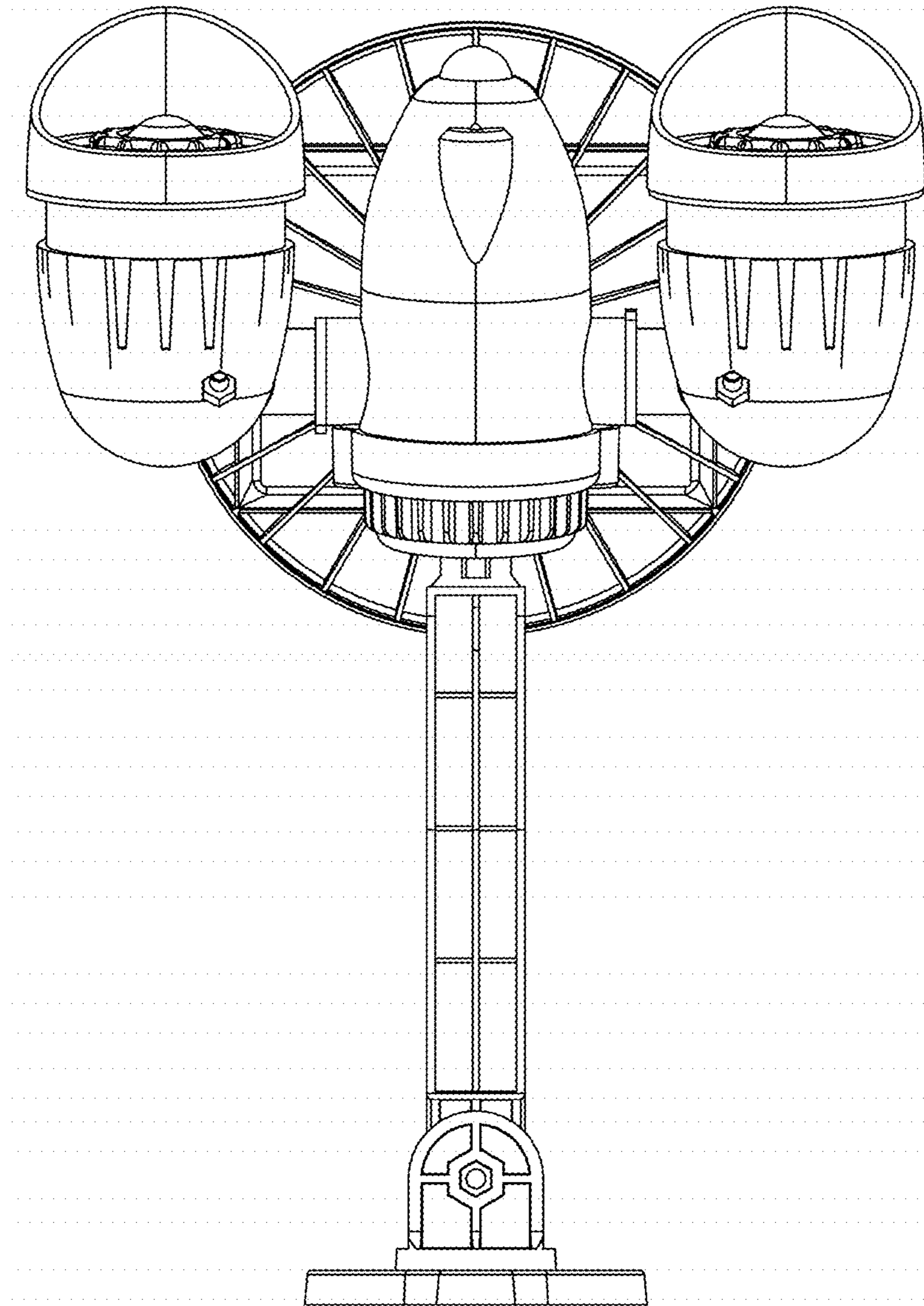


FIG. 6

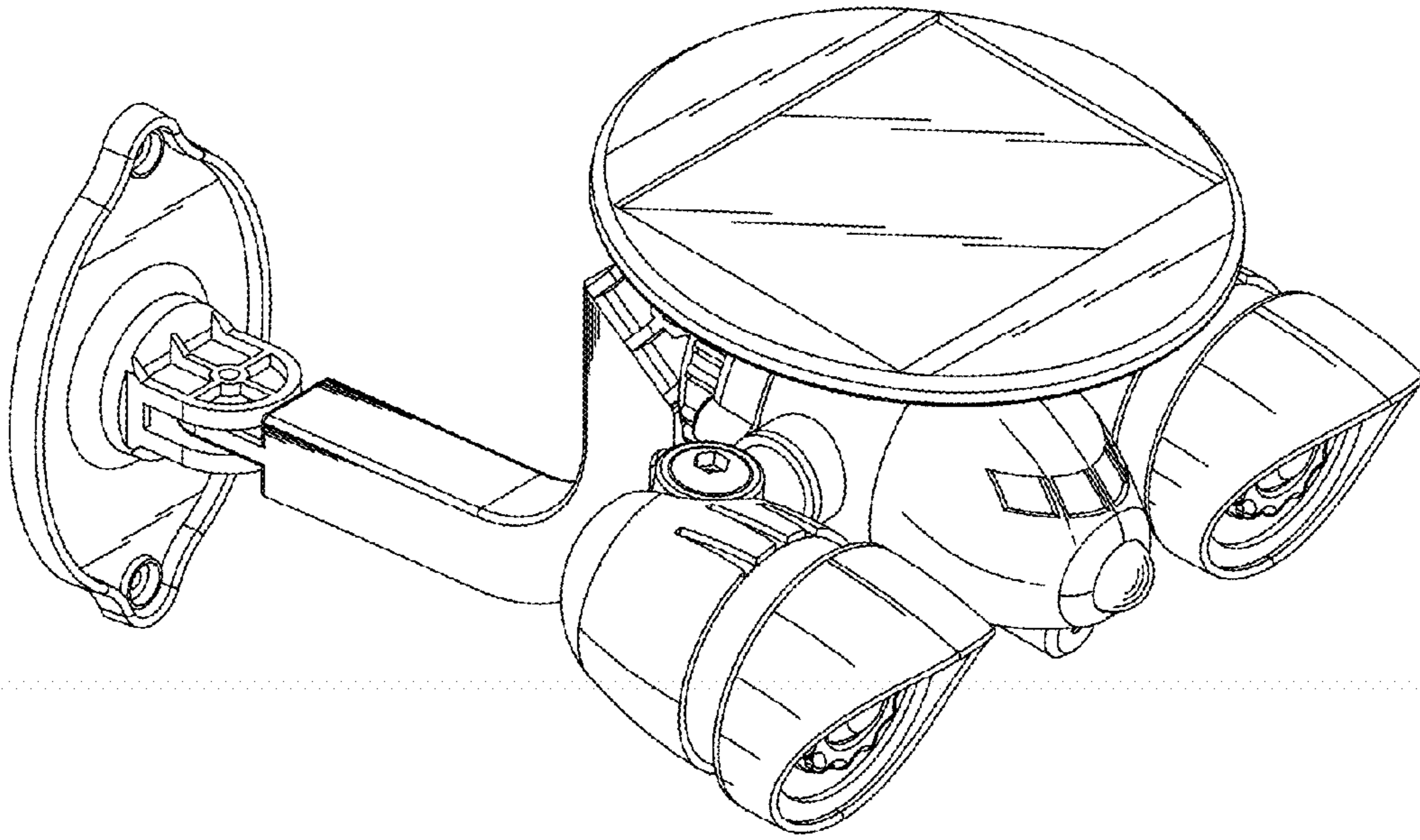


FIG. 7

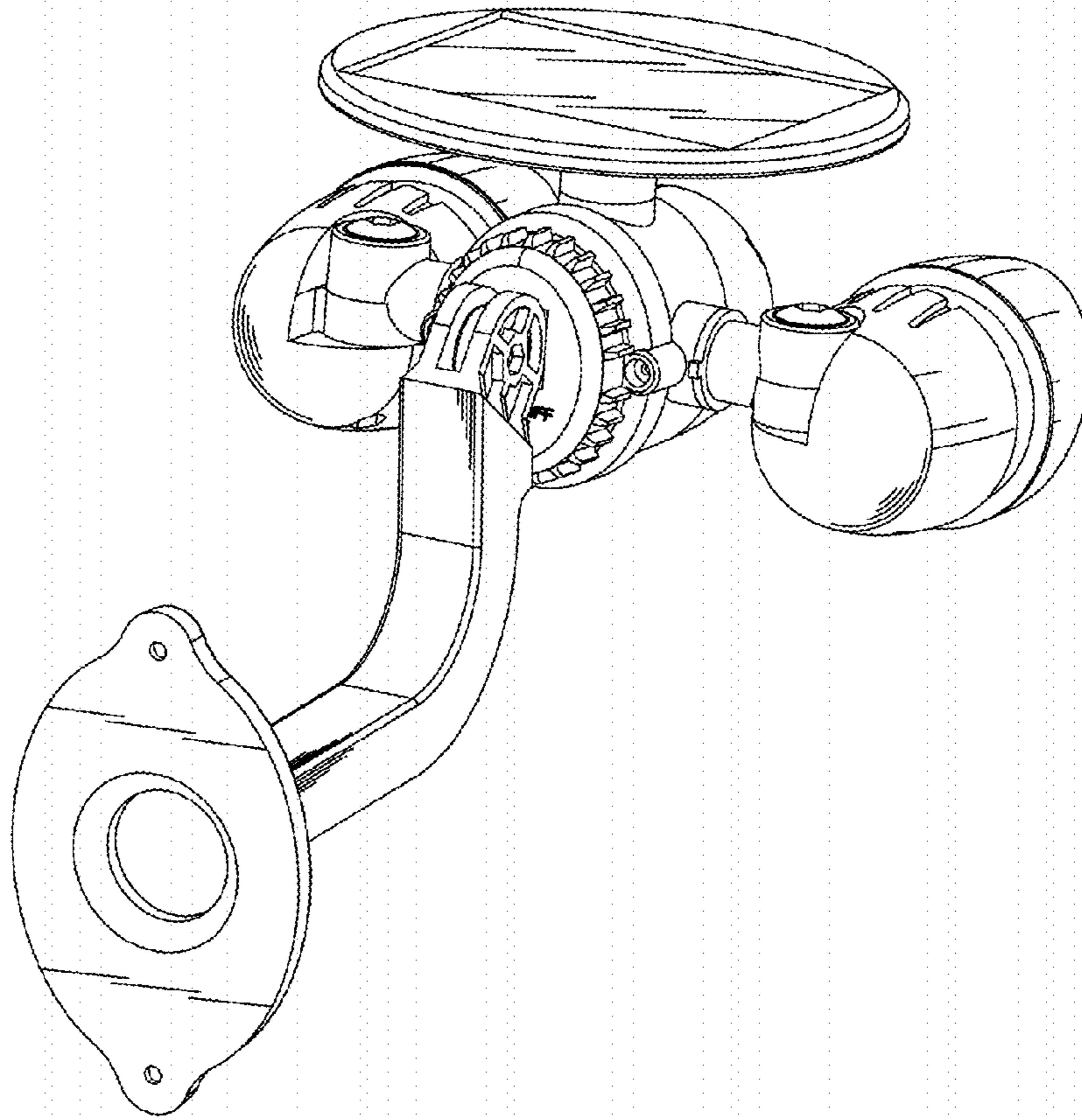


FIG. 8

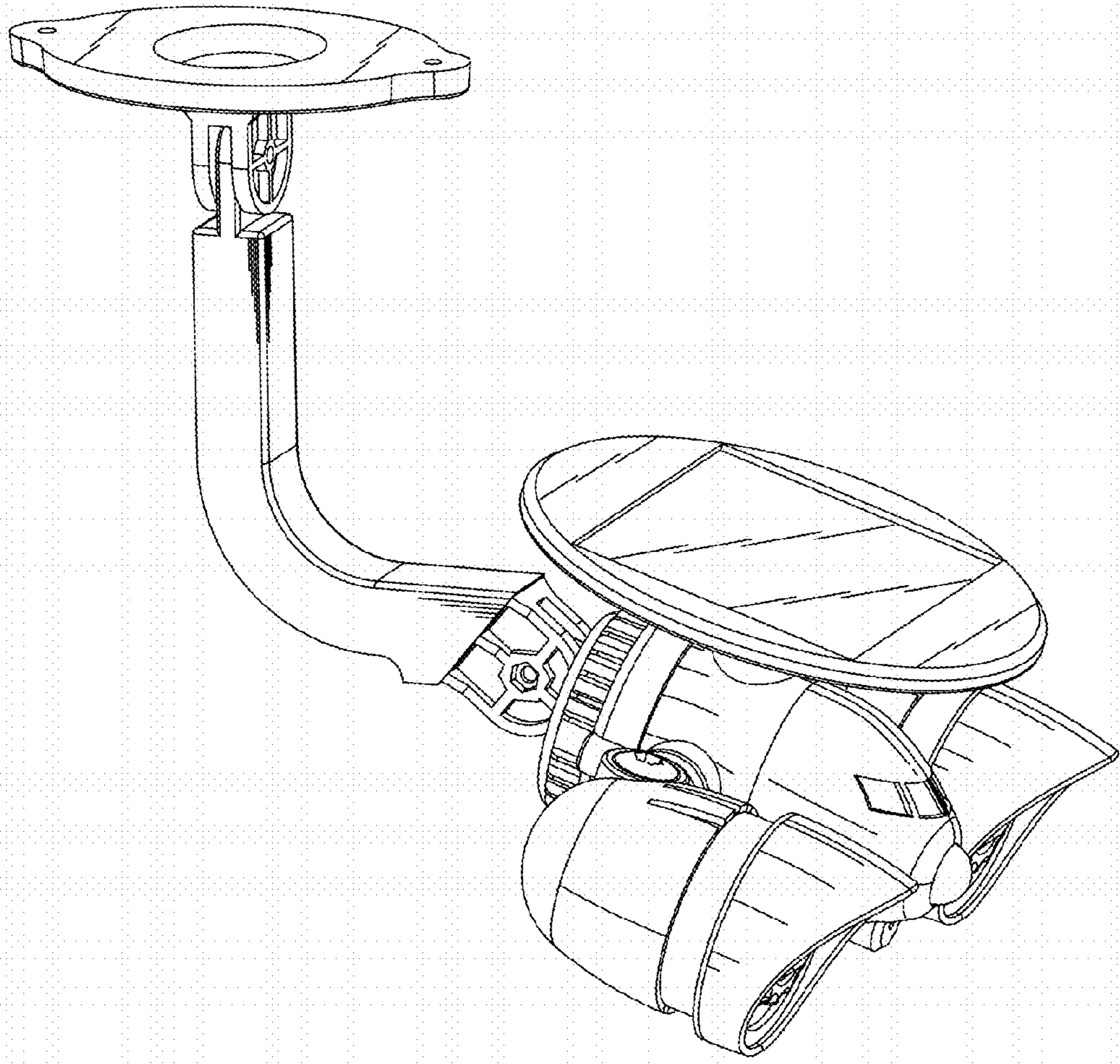


FIG. 9