



US00D768517S

(12) **United States Design Patent**
Chi

(10) **Patent No.:** **US D768,517 S**

(45) **Date of Patent:** **** Oct. 11, 2016**

(54) **SPIRIT LEVEL HAVING REFLECTION BUBBLE**

(71) Applicants: **HANGZHOU GREAT STAR TOOLS CO., LTD**, Hangzhou (CN);
HANGZHOU GREAT STAR INDUSTRIAL CO., LTD, Hangzhou (CN)

(72) Inventor: **Xiaoheng Chi**, Hangzhou (CN)

(73) Assignees: **Hangzhou Great Star Industrial Co., LTD (CN); Hangzhou Great Star Tools Co., LTD (CN)**

(**) Term: **15 Years**

(21) Appl. No.: **29/557,637**

(22) Filed: **Mar. 10, 2016**

Related U.S. Application Data

(62) Division of application No. 29/513,025, filed on Dec. 24, 2014, now Pat. No. Des. 754,552.

(51) **LOC (10) Cl.** **10-04**

(52) **U.S. Cl.**
USPC **D10/69**

(58) **Field of Classification Search**
USPC D10/69
CPC G01C 9/24; G01C 9/26; G01C 9/28;
G01C 9/30; G01C 9/32; G01C 9/34; G01C 9/36
See application file for complete search history.

(56) **References Cited**

U.S. PATENT DOCUMENTS

D116,941 S 10/1939 Kim
2,939,947 A * 6/1960 Schultz G01C 9/24
33/348

3,208,147 A 9/1965 Estes
D369,846 S * 5/1996 Jones D10/65
D587,900 S * 3/2009 Tosa D10/69
D601,443 S * 10/2009 Ciochetti D10/69
D645,366 S * 9/2011 Ryan D10/69
D649,884 S 12/2011 Guess
8,327,552 B2 * 12/2012 Scheyer G01C 9/32
33/348

OTHER PUBLICATIONS

“Spirit level,” Wikipedia, printed Dec. 22, 2014, (5 pages).
“Spirit level—Google Search,” printed Dec. 22, 2014, (2 pages).
U.S. Appl. No. 29/513,025, filed Dec. 21, 2015, Notice of Allowance.

* cited by examiner

Primary Examiner — Antoine D Davis

(74) *Attorney, Agent, or Firm* — Workman Nydegger

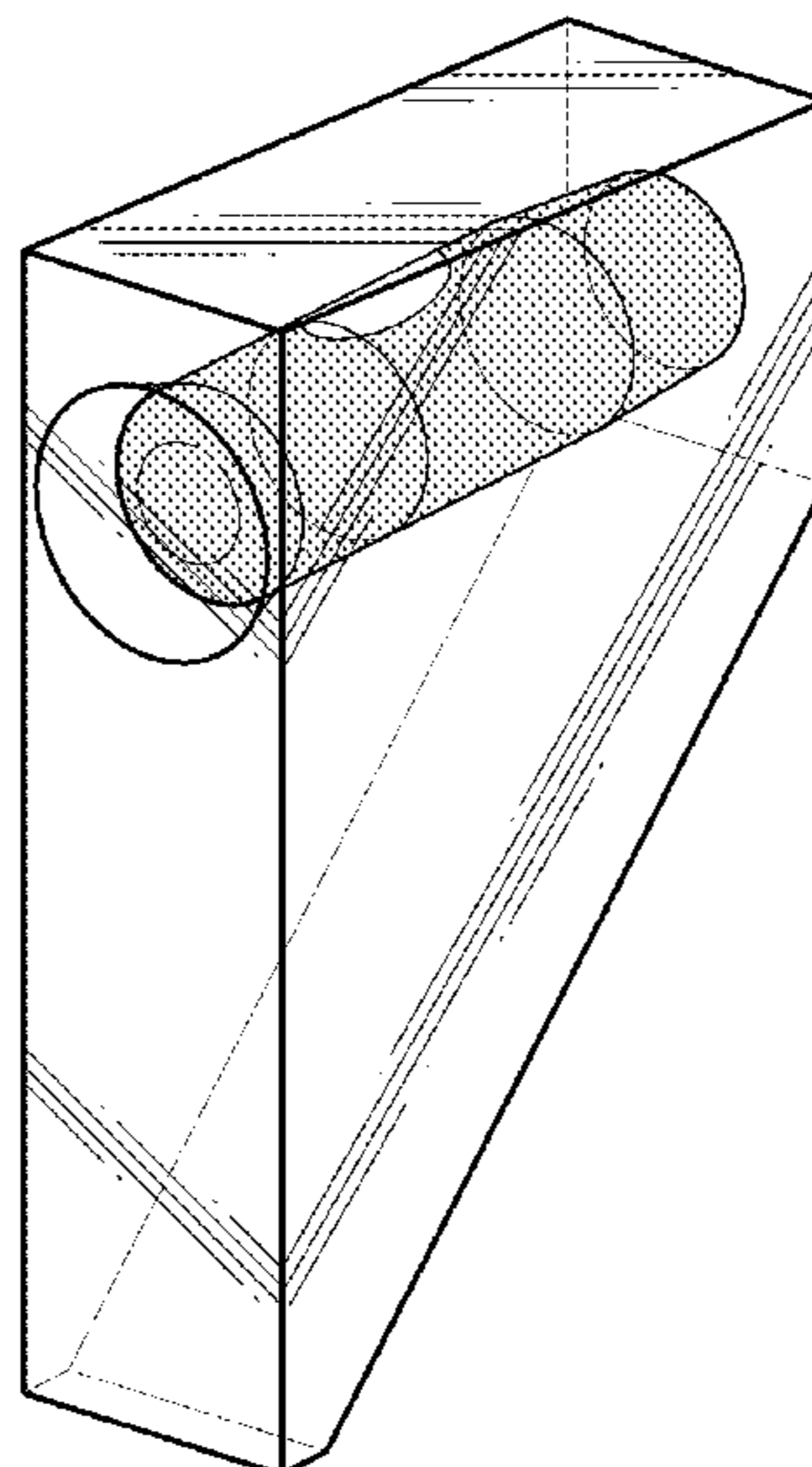
(57) **CLAIM**

The ornamental design of a spirit level having a reflection bubble, as shown and described.

DESCRIPTION

FIG. 1 is a perspective view of a spirit level;
FIG. 2 is a front elevational view of the spirit level of FIG. 1;
FIG. 3 is a left elevational view of the spirit level of FIG. 1;
FIG. 4 is a right elevational view of the spirit level of FIG. 1;
FIG. 5 is a top elevational view of the spirit level of FIG. 1;
FIG. 6 is a bottom elevational view of the spirit level of FIG. 1; and,
FIG. 7 is a rear elevational view of the spirit level of FIG. 1.

1 Claim, 3 Drawing Sheets



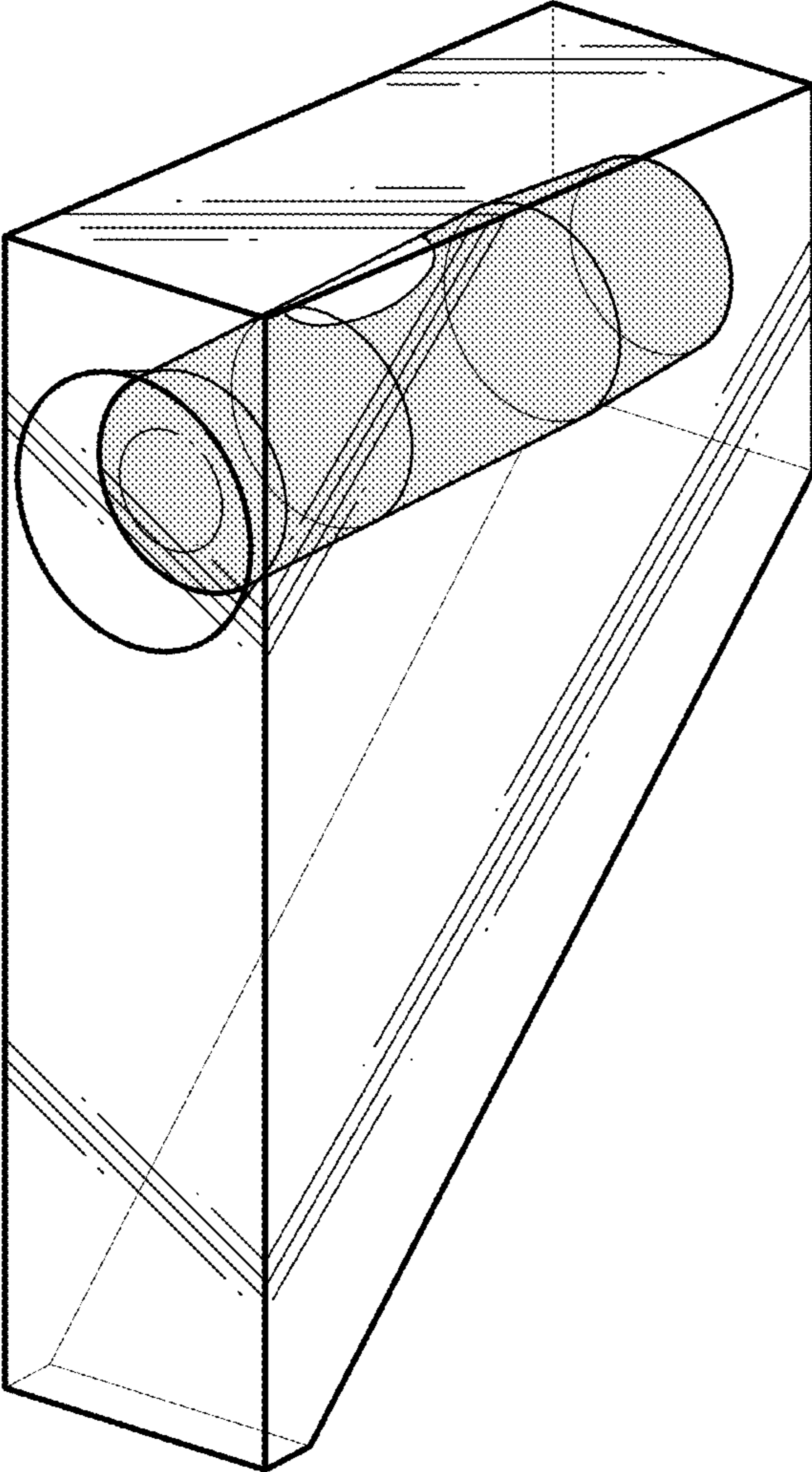


FIG. 1

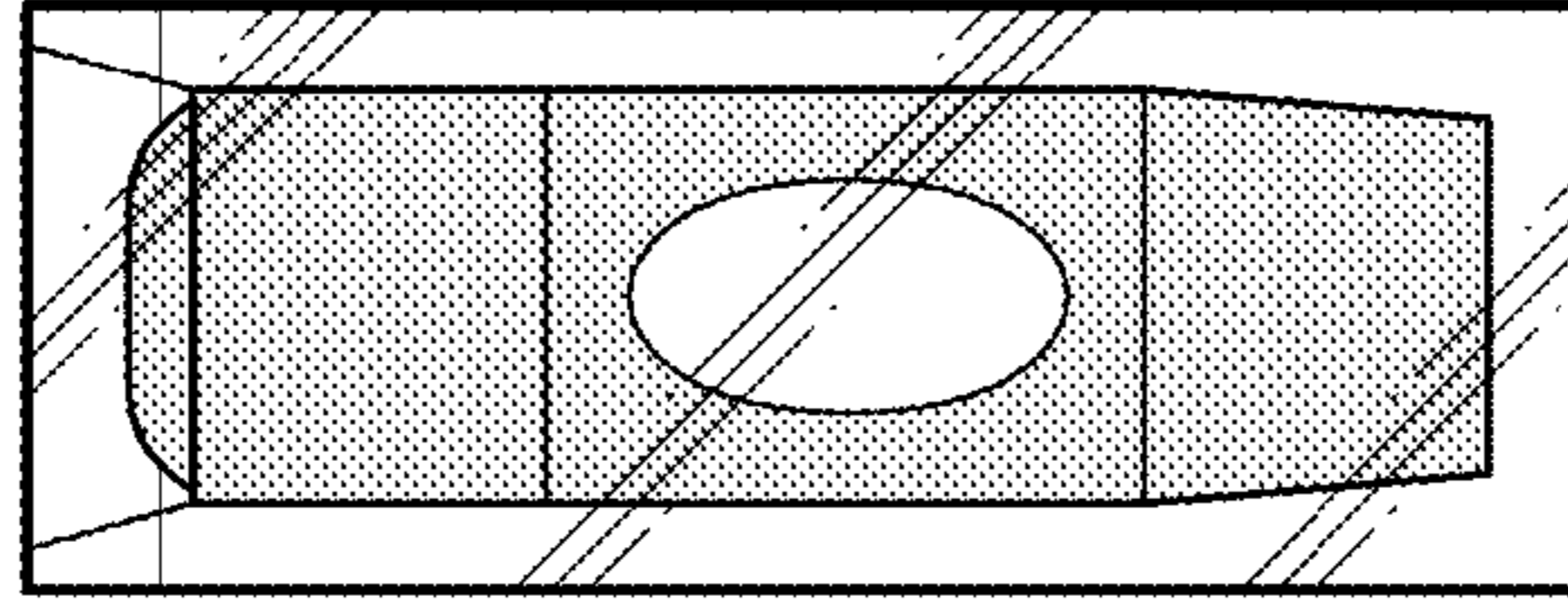


FIG. 5

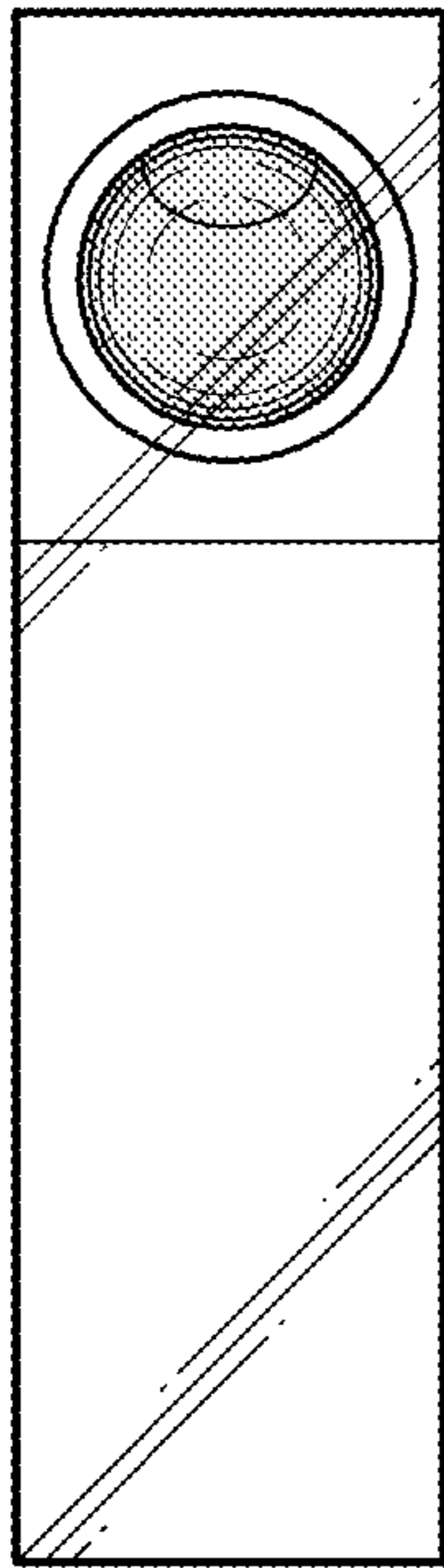


FIG. 3

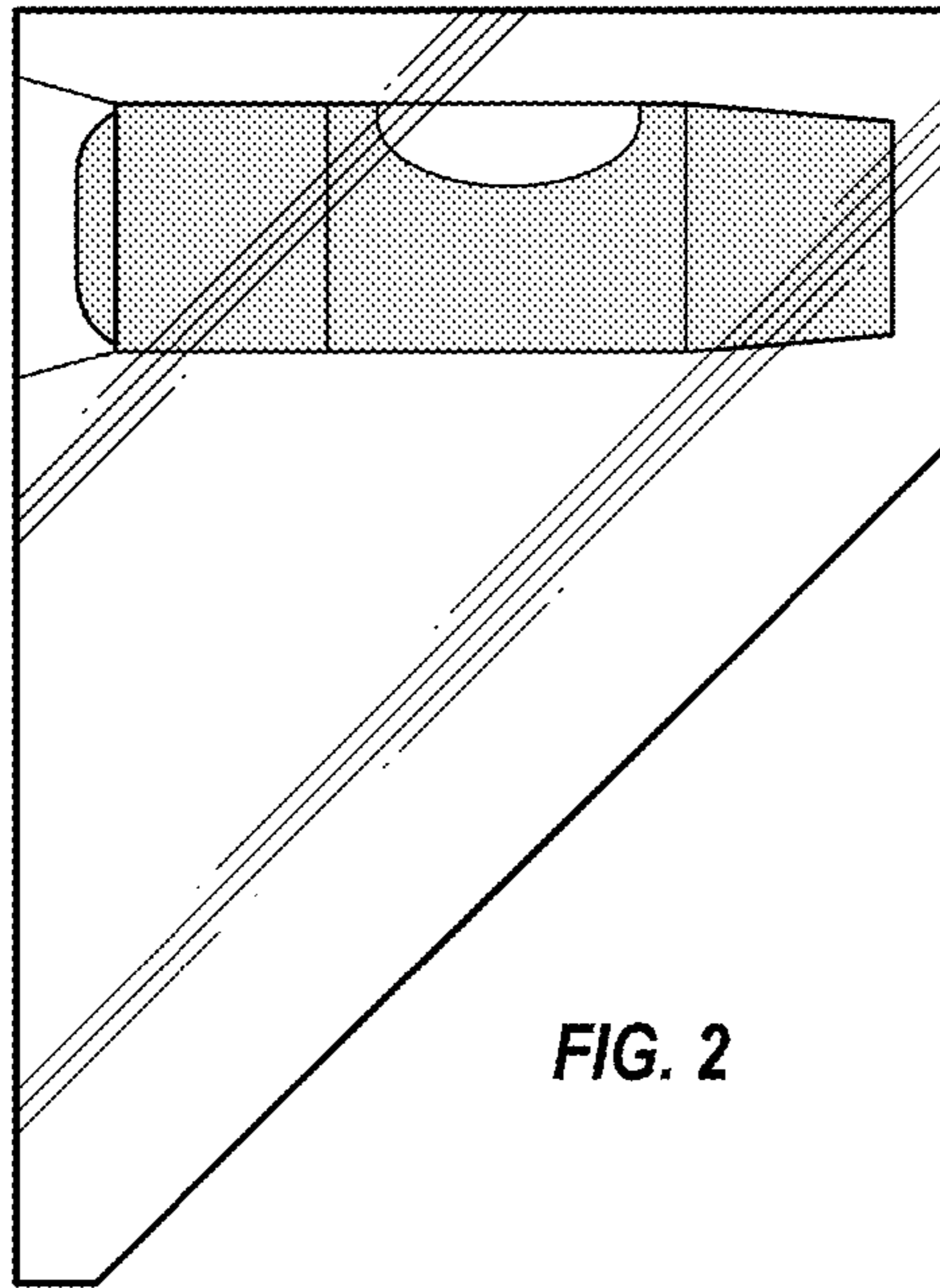


FIG. 2

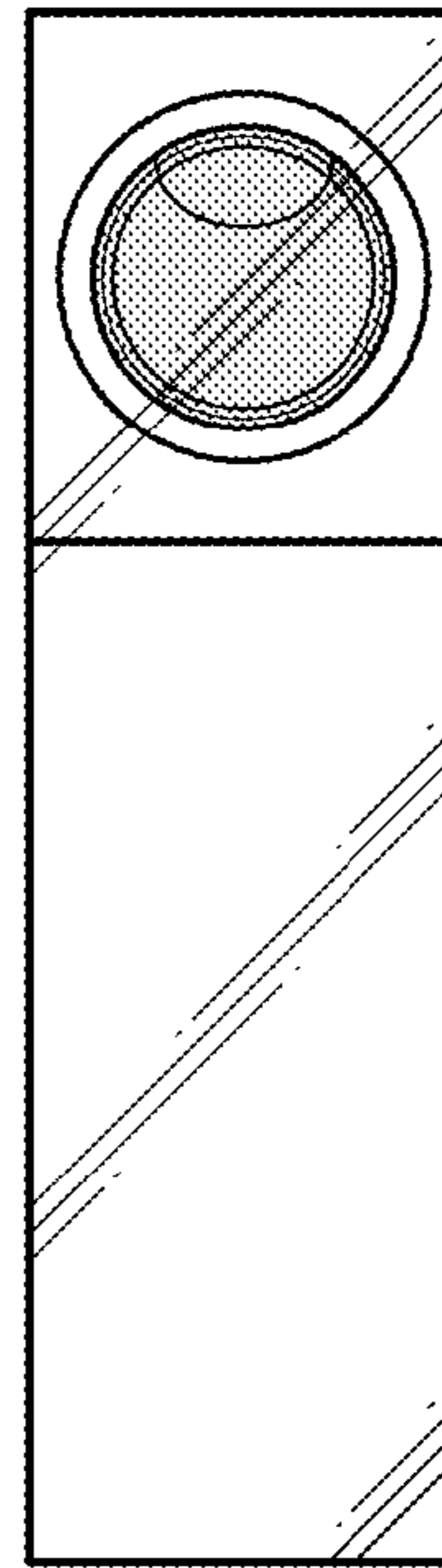


FIG. 4

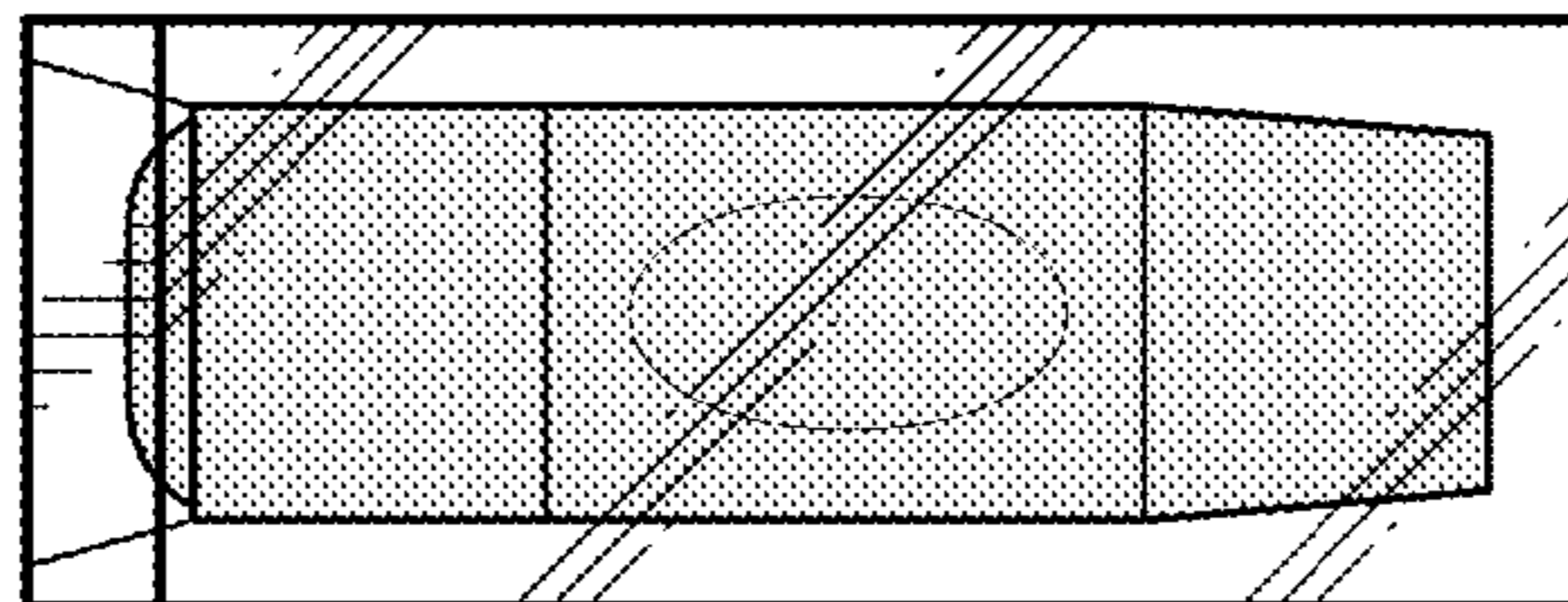


FIG. 6

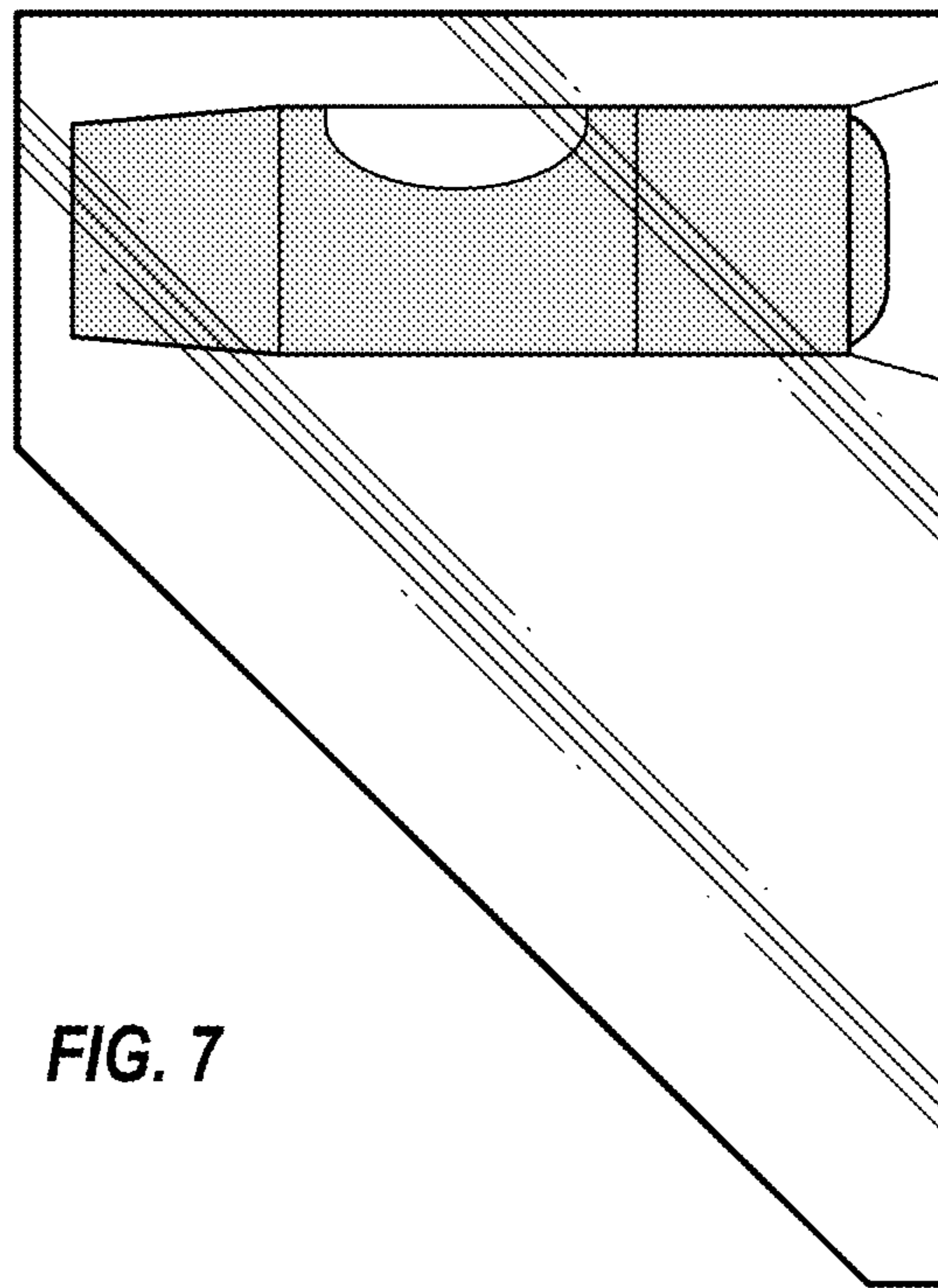


FIG. 7

UNITED STATES PATENT AND TRADEMARK OFFICE
CERTIFICATE OF CORRECTION

PATENT NO. : D768,517 S
APPLICATION NO. : 29/557637
DATED : October 11, 2016
INVENTOR(S) : Chi

Page 1 of 1

It is certified that error appears in the above-identified patent and that said Letters Patent is hereby corrected as shown below:

On the Title Page

Insert Item --(30) Foreign Application Priority Data Jun. 30, 2014 (CN) 2014 3 0212316--

Signed and Sealed this
Twenty-first Day of February, 2017



Michelle K. Lee
Director of the United States Patent and Trademark Office