



US00D768515S

(12) **United States Design Patent** (10) **Patent No.:** **US D768,515 S**
Weiss et al. (45) **Date of Patent:** **** Oct. 11, 2016**

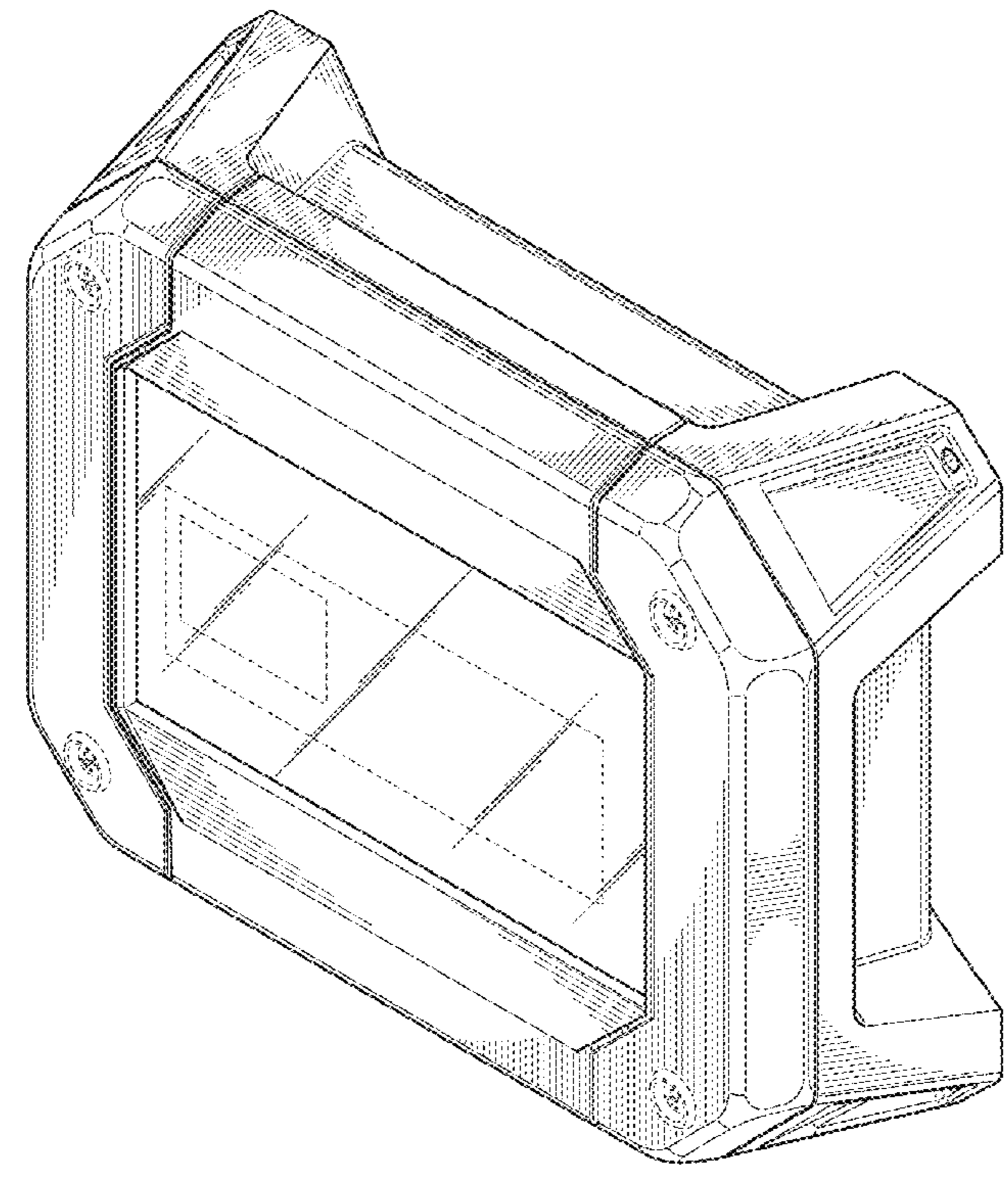
(54) **ANIMAL HOUSE CONTROLLER BOX**
(71) Applicant: **The GSI Group LLC**, Hesston, KS (US)
(72) Inventors: **Adam A. Weiss**, Forsyth, IL (US); **Jonathan Brodeur**, St-Jean sur Richelieu (CA); **Benoit R. Laberge**, St Hubert (CA); **Laurent Landrin**, Cowansville (CA); **Yvon Gaudreau**, St Hubert (CA)
(73) Assignee: **The GSI Group, LLC.**, Assumption, IL (US)
(**) Term: **15 Years**
(21) Appl. No.: **29/529,047**
(22) Filed: **Jun. 3, 2015**
(51) **LOC (10) Cl.** **10-04**
(52) **U.S. Cl.**
USPC **D10/49**; D13/177
(58) **Field of Classification Search**
USPC D10/49, 75, 78, 50; D13/162, 162.1, D13/177
CPC F23N 5/20; F23N 5/203; F23N 5/206; F23N 5/18; F23N 5/184; F23N 5/187; F23N 5/22; F23N 2025/12; F23N 2041/02; F24F 11/00; F24F 11/0012; F24F 11/0009; F24F 11/001; F24F 2011/0057; F24F 2011/0073; F24F 2011/0091
See application file for complete search history.

(56) **References Cited**
U.S. PATENT DOCUMENTS
D541,685 S * 5/2007 Bradford D10/78
D580,800 S * 11/2008 Hauk D10/49
D678,083 S * 3/2013 Breuer D10/49
D725,505 S * 3/2015 Arensmeier D10/49
D725,519 S * 3/2015 Drew D10/75
D739,277 S * 9/2015 Martel D10/78
* cited by examiner
Primary Examiner — Antoine D Davis

(57) **CLAIM**
The ornamental design for an animal house controller box, as shown and described.

DESCRIPTION
FIG. 1 is a perspective view of an animal house controller embodying our design;
FIG. 2 is a left elevation view thereof;
FIG. 3 is a right elevation view thereof;
FIG. 4 is a front elevation view thereof;
FIG. 5 is a rear elevation view thereof;
FIG. 6 is a top plan view thereof; and,
FIG. 7 is a bottom view thereof.
The broken lines are directed to environment and/or are for illustrative purposes only. None of the broken lines form part of the claimed design.

1 Claim, 5 Drawing Sheets



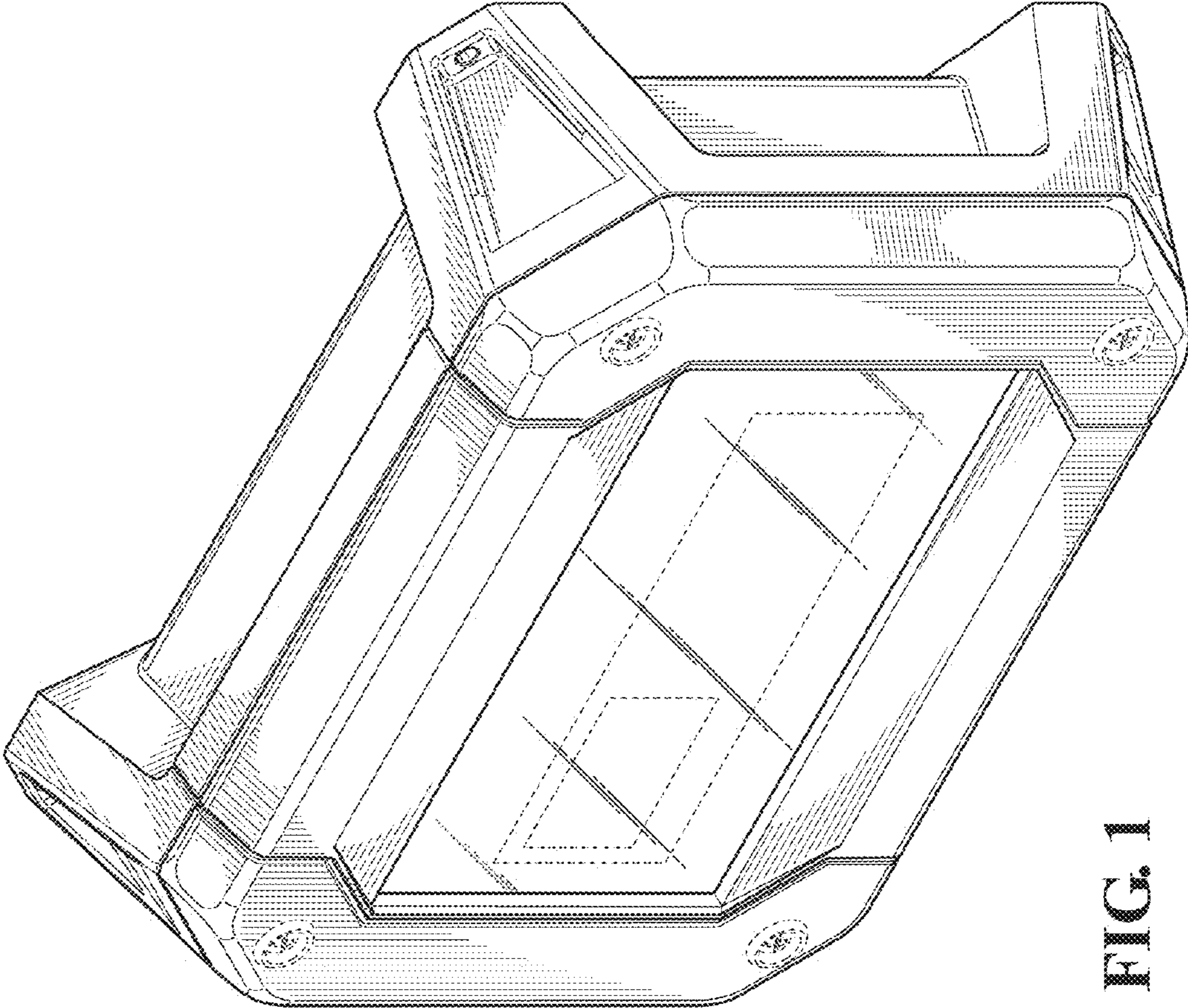


FIG. 1

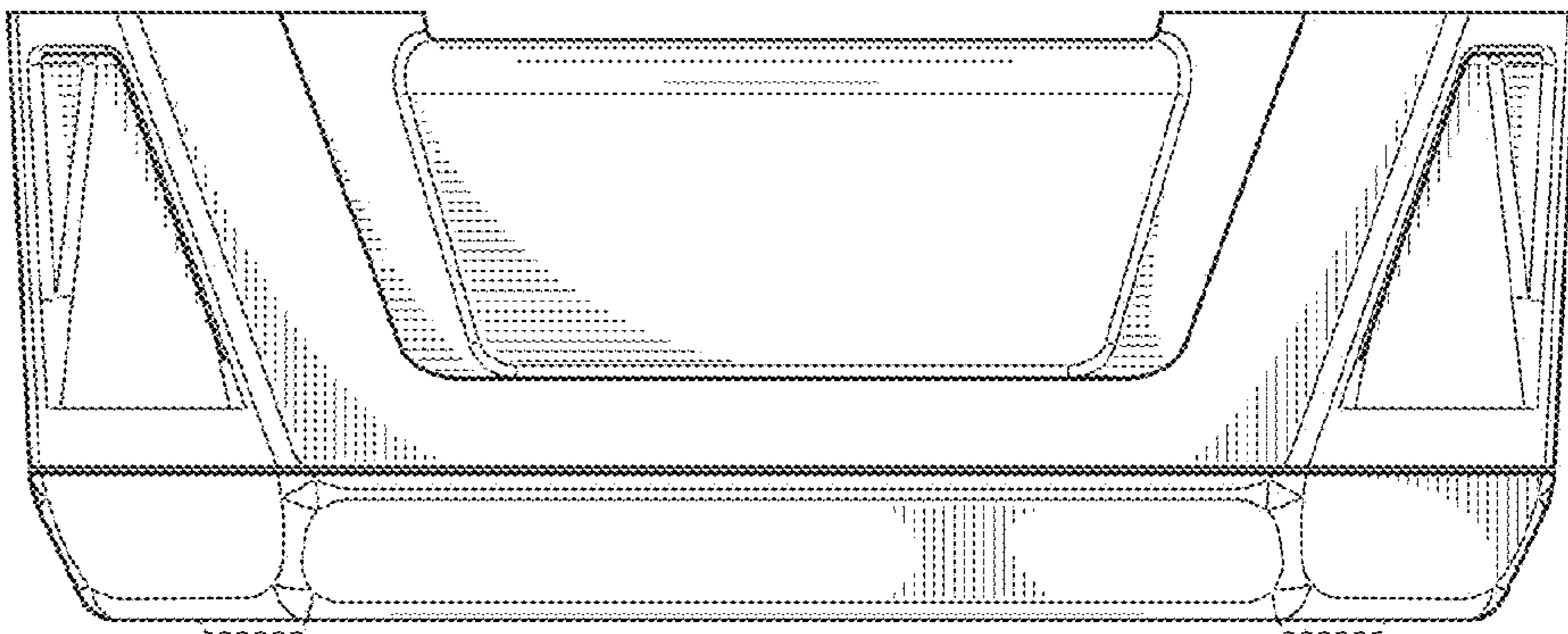


FIG. 3

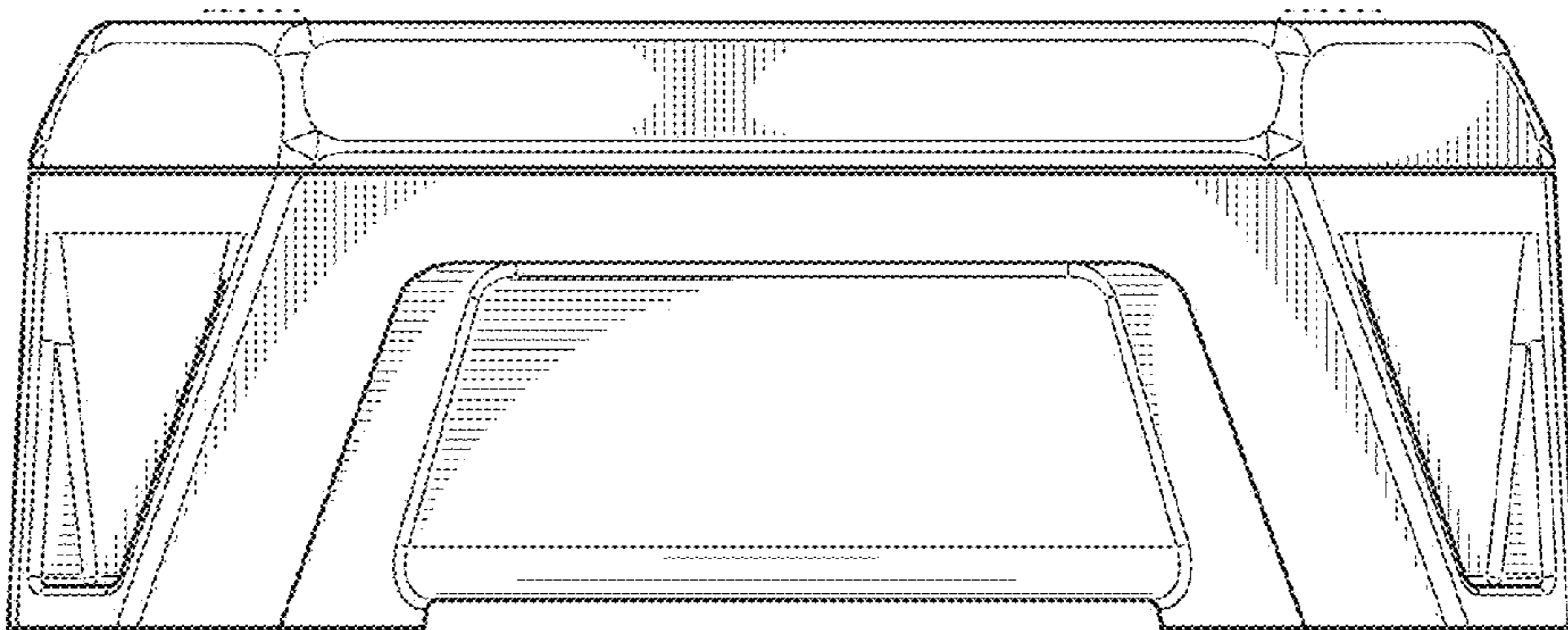


FIG. 2

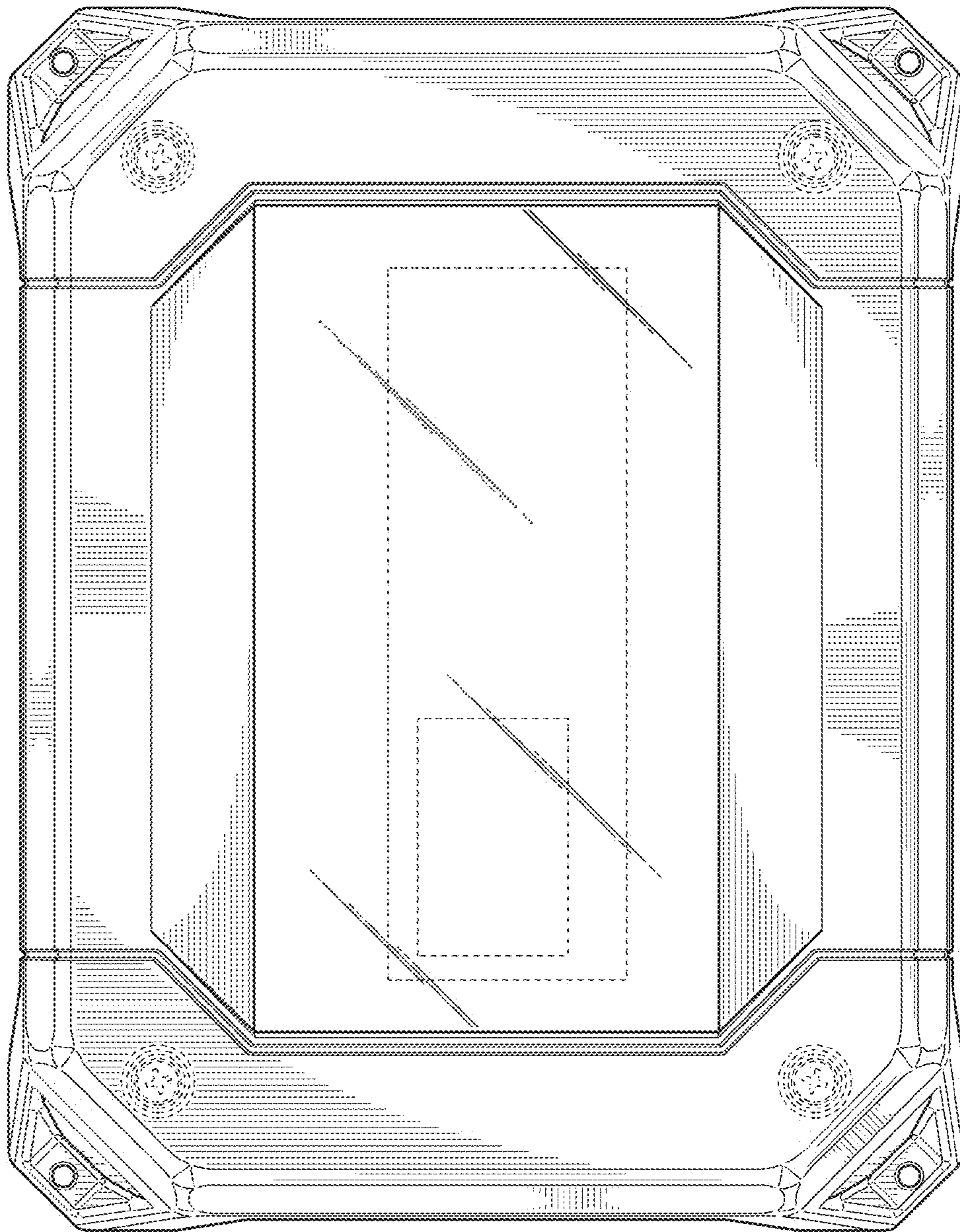


FIG. 4

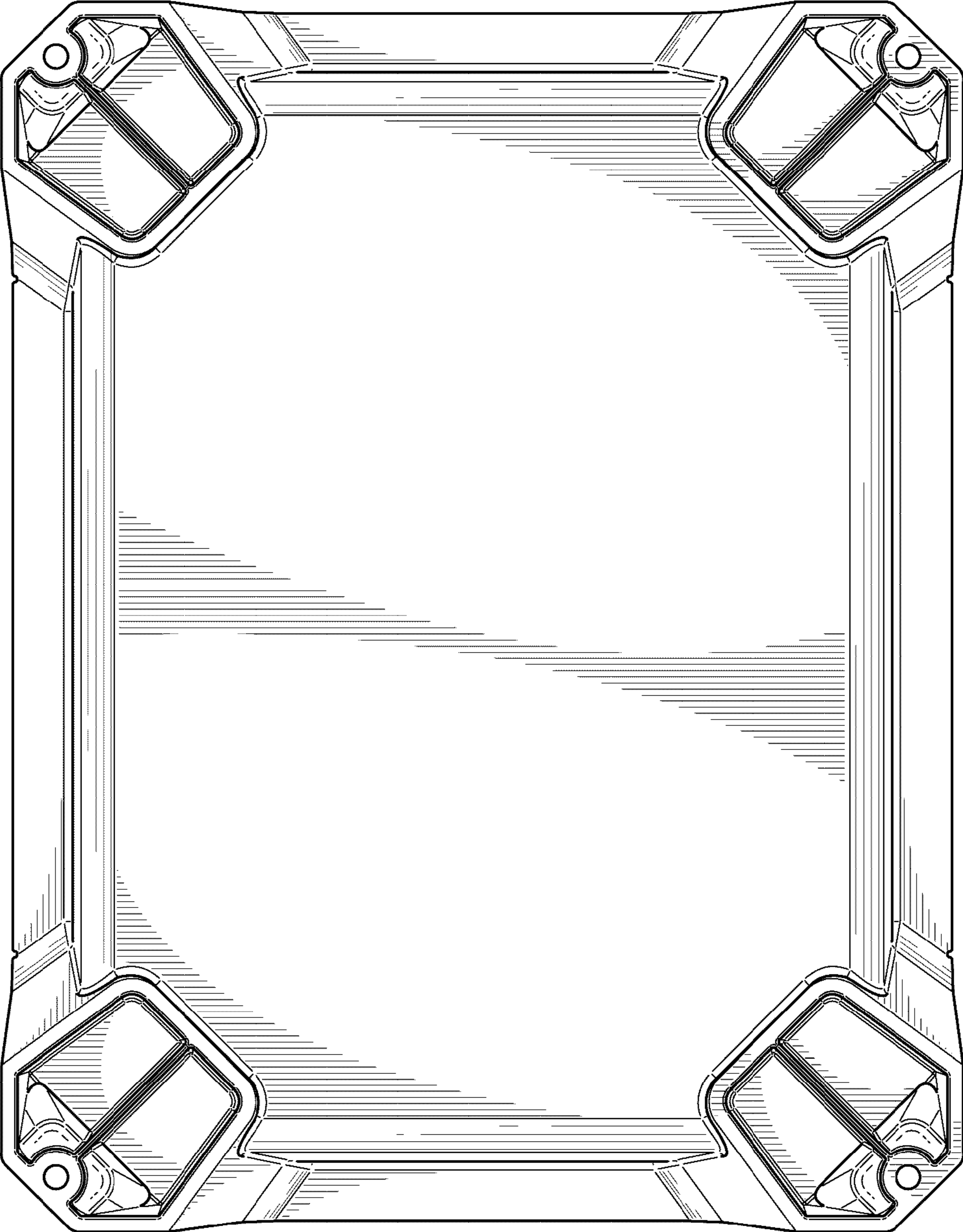


FIG. 5

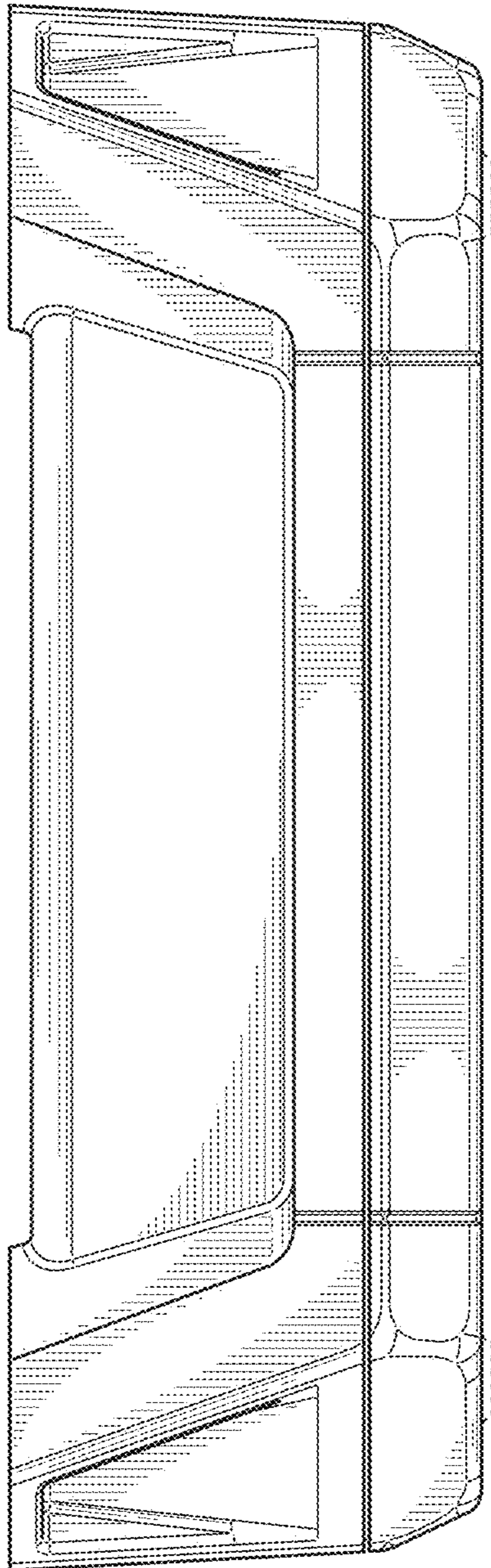


FIG. 6

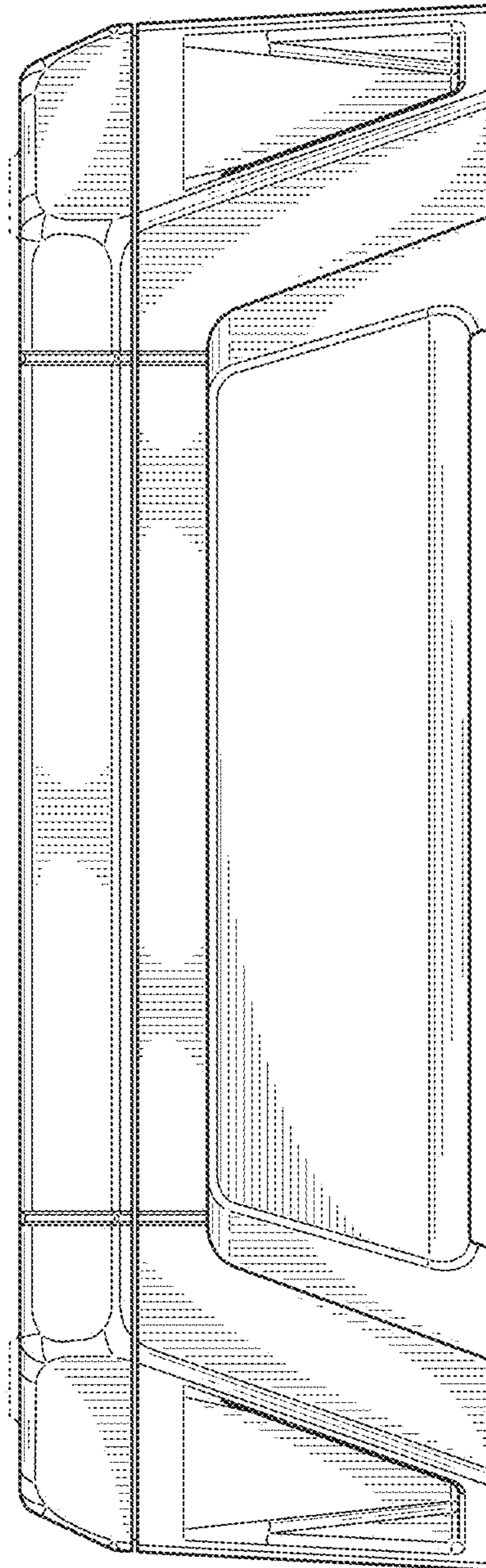


FIG. 7