



US00D768512S

(12) **United States Design Patent** (10) **Patent No.:** **US D768,512 S**
Ruffieux (45) **Date of Patent:** **** Oct. 11, 2016**

(54) **WATCH CASE**
(71) Applicant: **Montblanc-Simplo GmbH**, Hamburg (DE)
(72) Inventor: **Leila Ruffieux**, Neuchâtel (CH)
(73) Assignee: **Montblanc-Simplo GmbH**, Hamburg (DE)
(**) Term: **14 Years**
(21) Appl. No.: **29/514,872**
(22) Filed: **Jan. 16, 2015**
(51) **LOC (10) Cl.** **10-01**
(52) **U.S. Cl.**
USPC **D10/32**
(58) **Field of Classification Search**
USPC D10/1–29, 30–39, 122–132; 248/114; 224/165; 368/80, 223, 228, 232, 276, 368/281, 282, 288–290, 308, 319
CPC G04B 19/06; G04B 19/10; G04B 19/12; G04B 19/08; G04B 19/103; G04B 19/106; G04B 47/042
See application file for complete search history.

(56) **References Cited**

U.S. PATENT DOCUMENTS

D247,741 S * 4/1978 Danz D10/23
D270,523 S * 9/1983 Mox D10/22
D326,416 S * 5/1992 Sugano D10/126
D354,010 S * 1/1995 Pistilli D10/24
D382,815 S * 8/1997 Riley D10/30
6,031,791 A * 2/2000 Thoni G04B 19/10
368/223
D547,211 S * 7/2007 Dias D10/39
D608,223 S * 1/2010 Salanitro D10/38
D624,443 S * 9/2010 Cerrato D10/38
D645,361 S * 9/2011 Parmigiani D10/38
D649,890 S * 12/2011 Favre D10/38
D656,414 S * 3/2012 Parmigiani D10/38
D659,554 S * 5/2012 Yurman D10/32
D678,081 S * 3/2013 Cabiddu D10/38
8,964,513 B2 * 2/2015 Derrrey C03C 17/04
368/232

D748,501 S * 2/2016 Cerrato D10/30
D750,505 S * 3/2016 Cerrato D10/30
2005/0083788 A1 * 4/2005 Ogletree A44C 5/0069
368/282
2011/0085424 A1 * 4/2011 El Kadiri G04B 3/043
368/288
2013/0094333 A1 * 4/2013 Ito G04C 10/02
368/239
2013/0155821 A1 * 6/2013 Tsuji G04B 37/0008
368/281
2015/0117165 A1 * 4/2015 Stotz G04F 8/006
368/228

OTHER PUBLICATIONS

Mont Blanc [online] Retrieved on May 11, 2016 from URL: <http://www.montblanc.com/en-us/collection/watches/montblanc-collection-villeret-1858/109150-ExoTourbillon-Chronographe.html>.
Mont Blanc [online] Retrieved on May 11, 2016 from URL: <http://www.montblanc.com/en-us/collection/watches/montblanc-collection-villeret-1858/107343-timewriter-ii-chronographe-bi-frequence-1000.html>.

* cited by examiner

Primary Examiner — Manpreet Matharu
Assistant Examiner — Keith Wilson
(74) *Attorney, Agent, or Firm* — Taft Stettinius & Hollister LLP

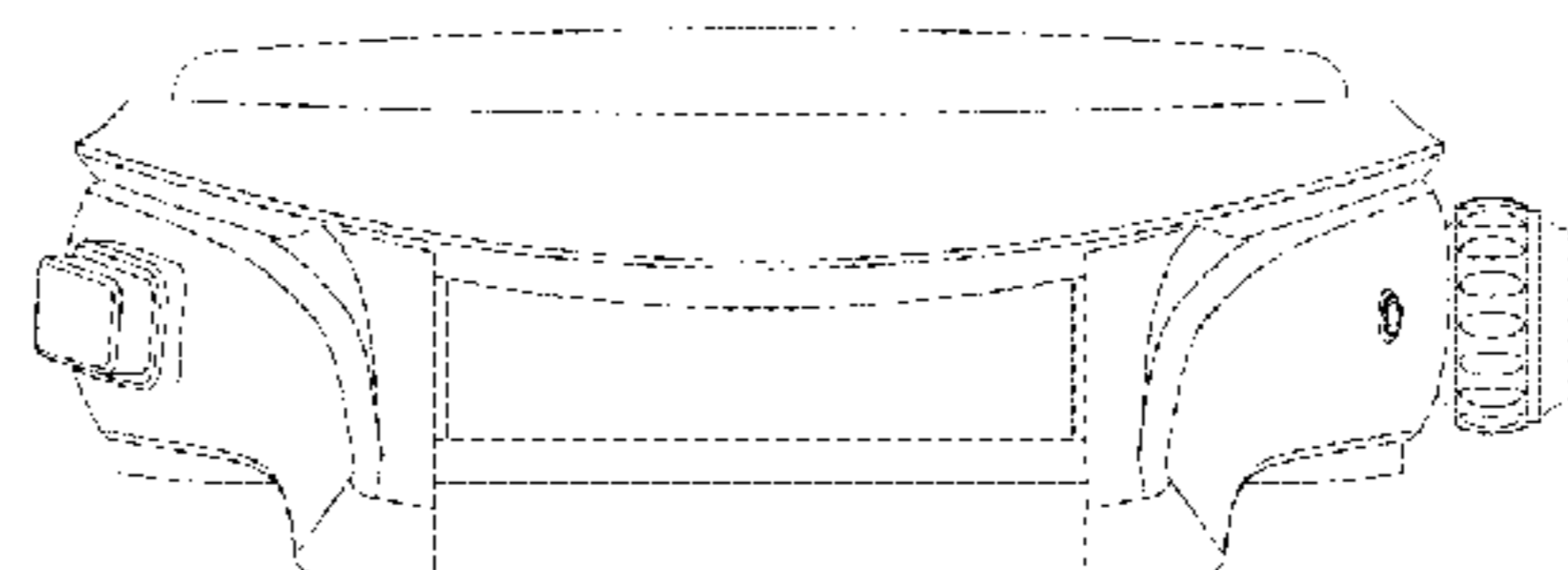
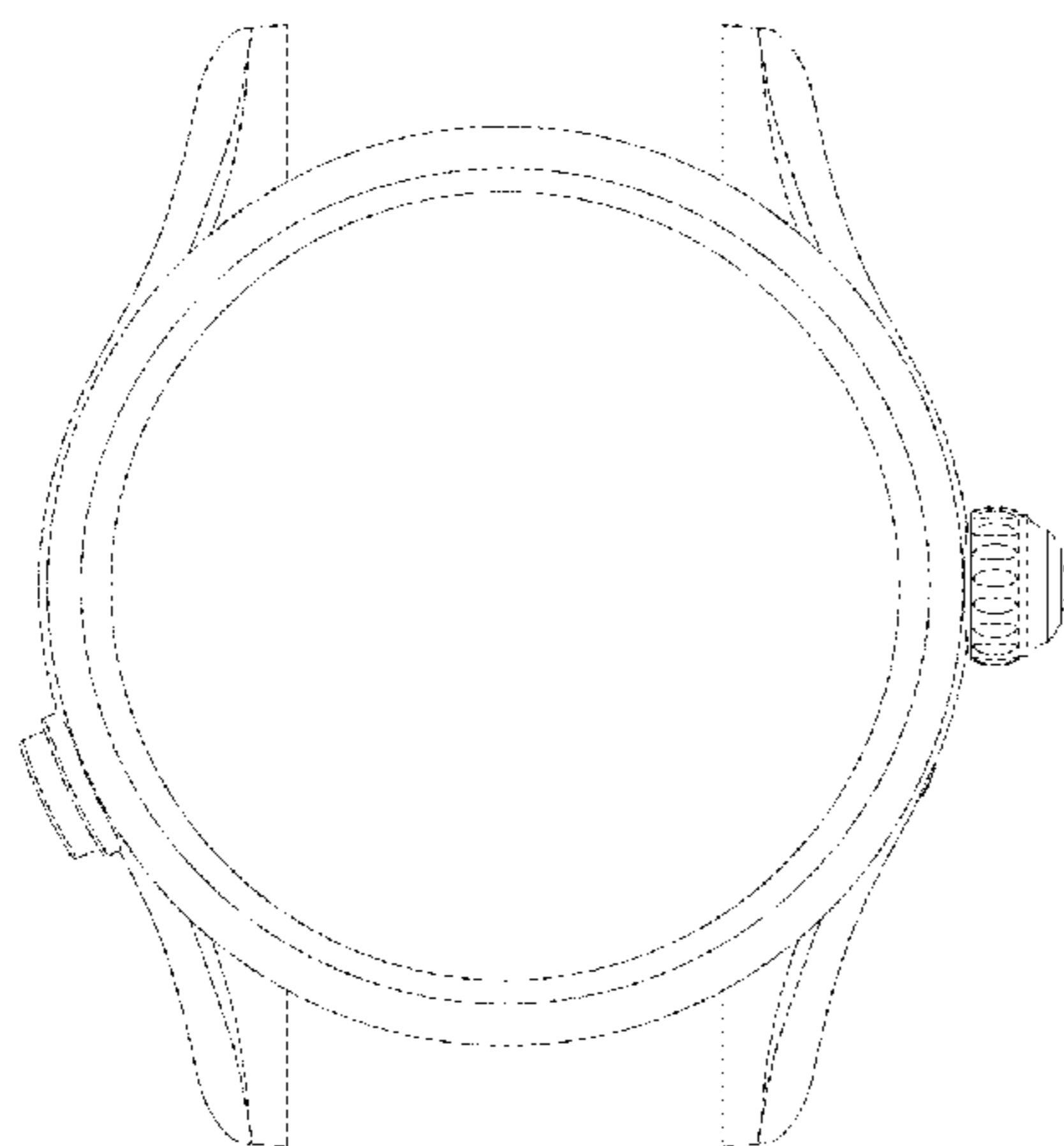
(57) **CLAIM**

The ornamental design for a watch case, as shown and described.

DESCRIPTION

FIG. 1 is a front view of a watch case of the present invention.
FIG. 2 is a rear view of the watch case of FIG. 1.
FIG. 3 is a bottom view of the watch case of FIG. 1.
FIG. 4 is a top view of the watch case of FIG. 1.
FIG. 5 is a right side view of the watch case of FIG. 1.
FIG. 6 is a left side view of the watch case of FIG. 1; and, FIG. 7 is a right-side perspective view of the watch case of FIG. 1.

1 Claim, 4 Drawing Sheets



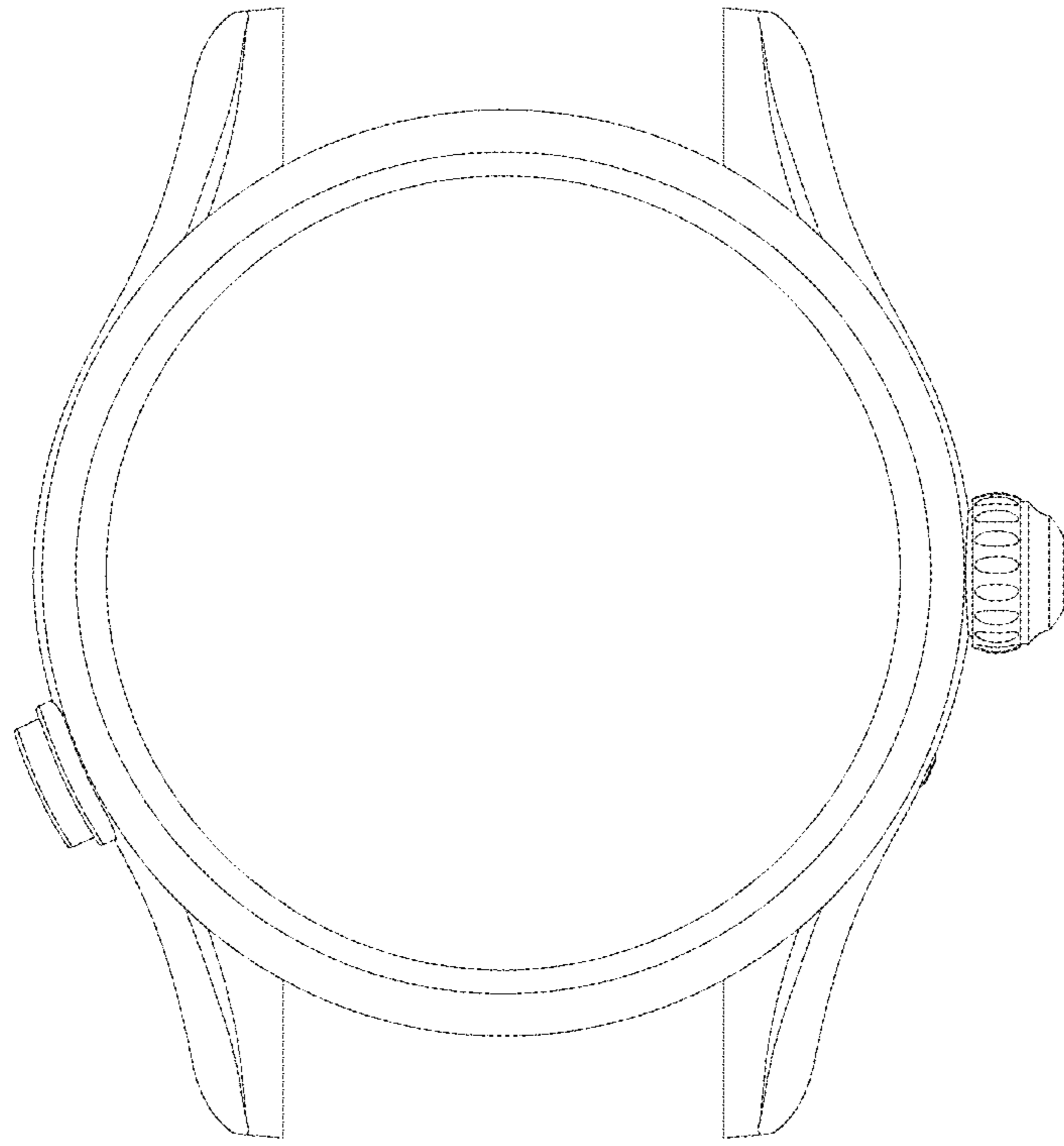


FIG. 1

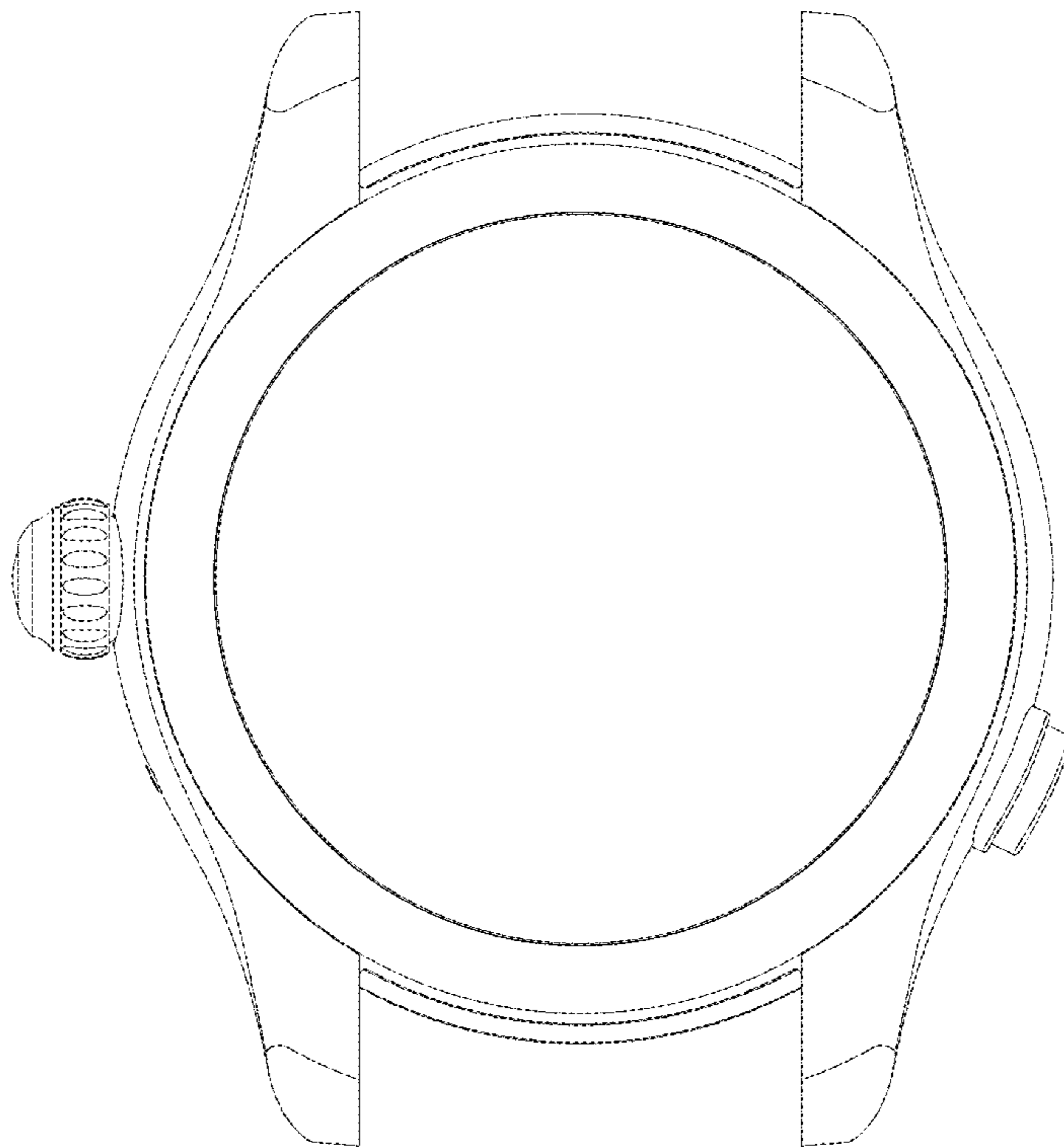


FIG. 2

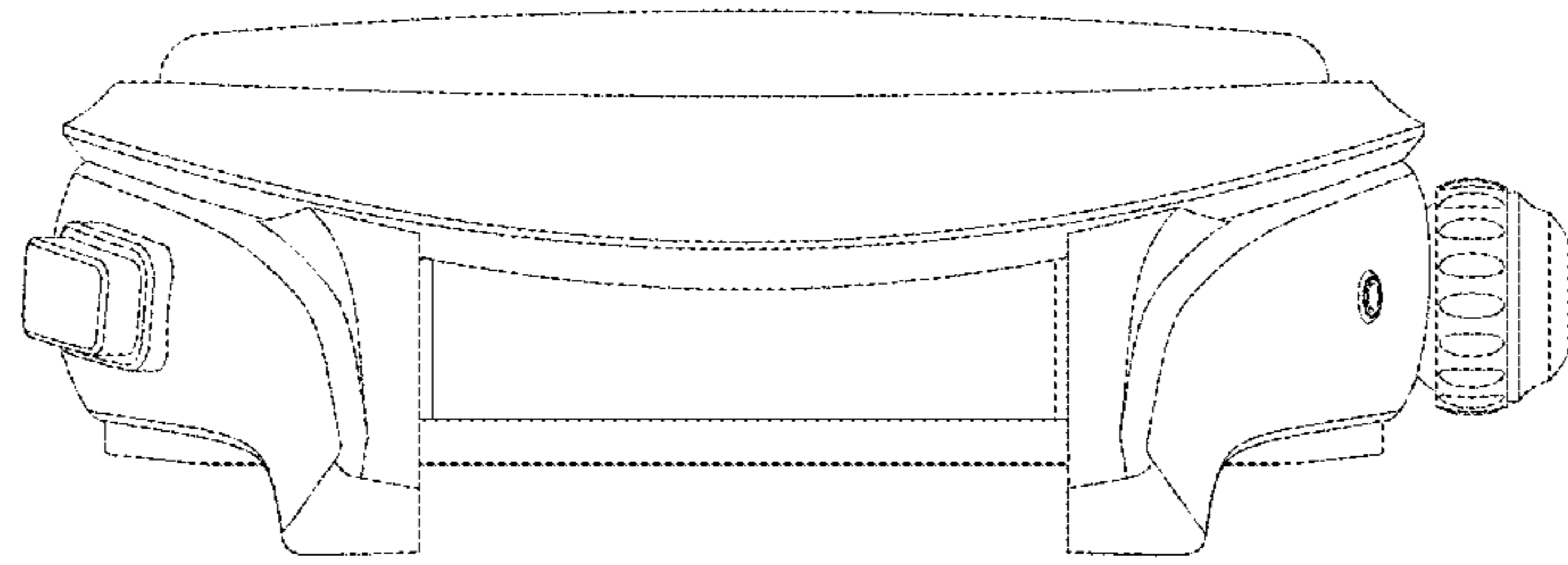


FIG. 3

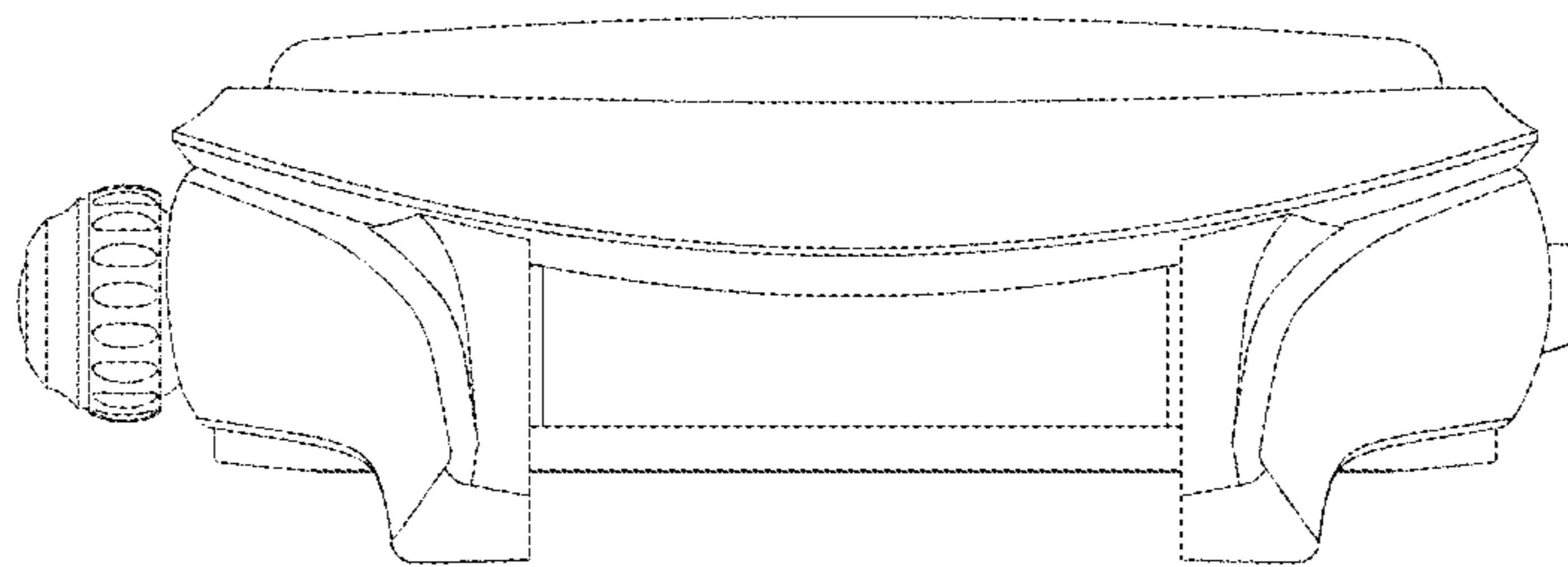


FIG. 4

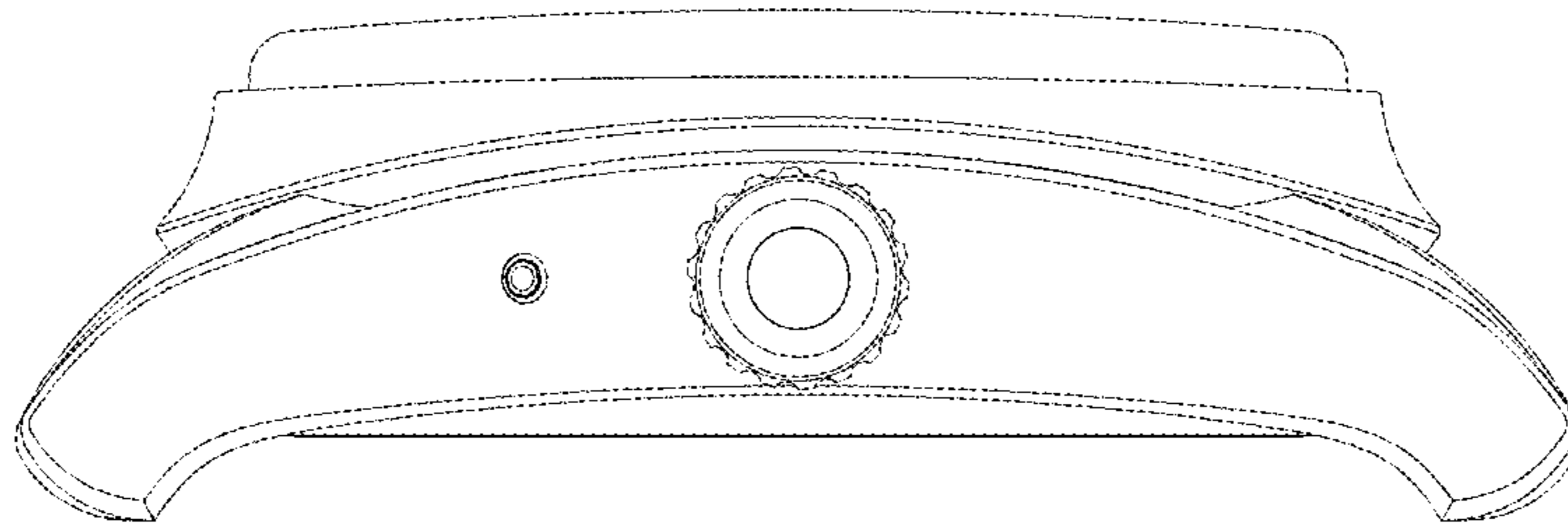


FIG. 5

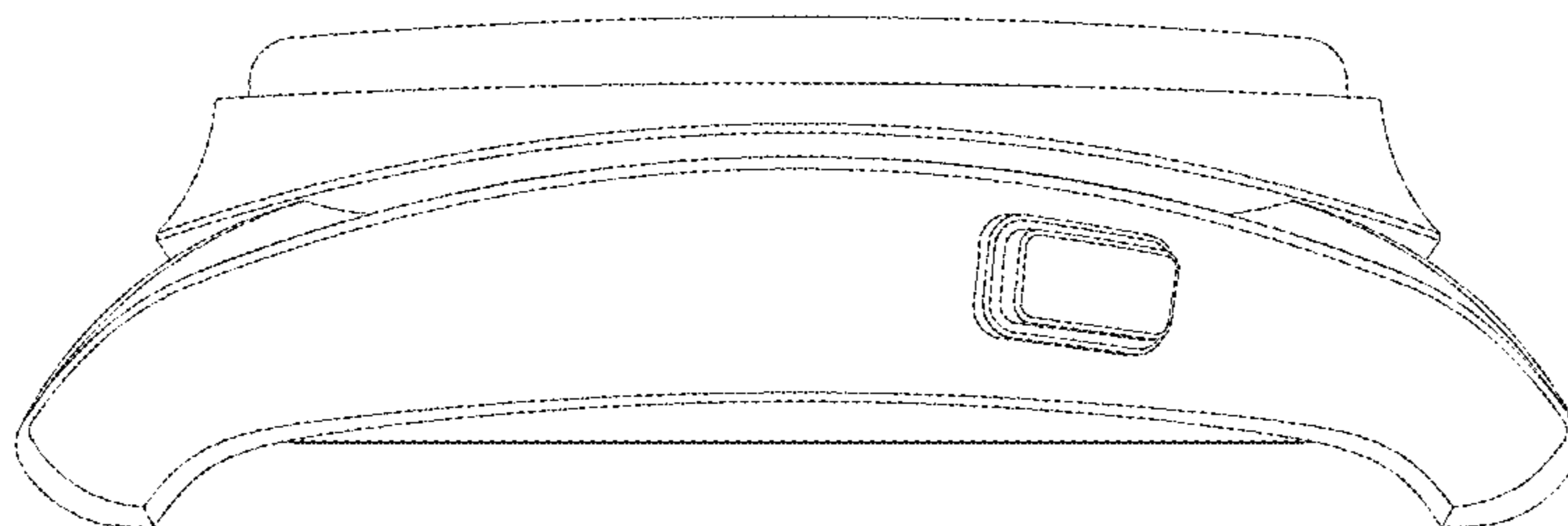


FIG. 6

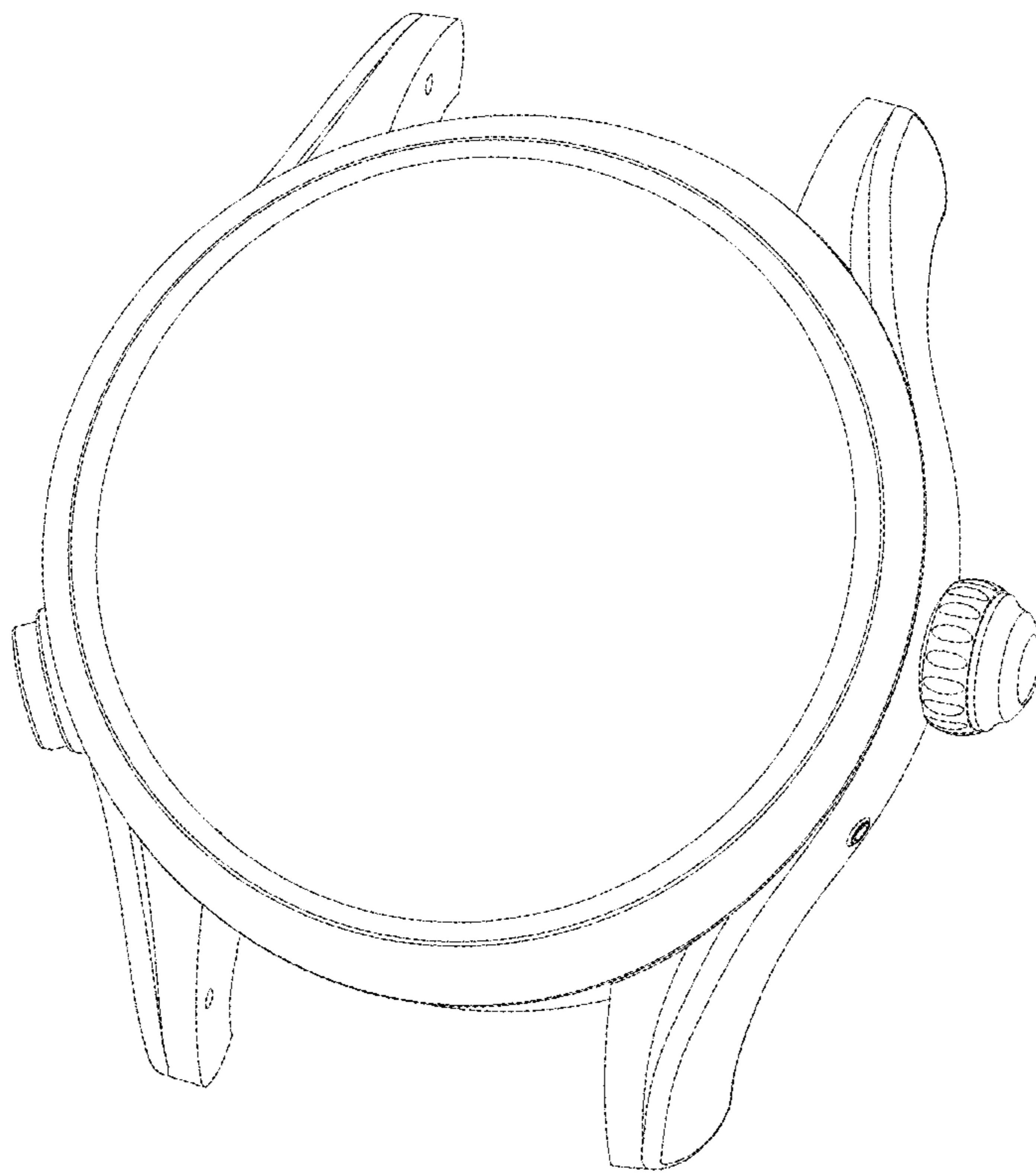


FIG. 7