



US00D768509S

(12) **United States Design Patent** (10) **Patent No.:** **US D768,509 S**  
**Church et al.** (45) **Date of Patent:** **\*\* Oct. 11, 2016**

(54) **PACKAGING ASSEMBLY**

(71) Applicant: **PolyOne Designed Structures and Solutions LLC**, Avon Lake, OH (US)  
 (72) Inventors: **John Roy Church**, Neshkoro, WI (US); **Christopher Patrick Bray**, Lake St. Louis, MO (US); **Joy Marie Christensen**, St. Louis, MO (US)  
 (73) Assignee: **PolyOne Designed Structures and Solutions LLC**, Avon Lake, OH (US)

(\*\*) Term: **14 Years**

(21) Appl. No.: **29/507,854**

(22) Filed: **Oct. 31, 2014**

(51) **LOC (10) Cl.** ..... **09-03**

(52) **U.S. Cl.**  
USPC ..... **D9/761; D9/756**

(58) **Field of Classification Search**  
 USPC ..... D9/737, 738, 741, 743, 747, 749, 756, D9/759, 761, 337, 414, 424, 425, 426, 430, D9/432, 416, 428, 429, 431; D7/550, D7/550.1, 553, 553.1, 554.1, 555, 557, D7/601, 602, 541, 513; D3/201, D3/203.1–203.1, 304, 310, 313, 318, 319; D24/118, 207, 227; 215/325; 222/92, 222/95, 102, 145.1, 183, 215; 206/532, 206/528, 534.1, 538, 519, 526, 541, 561, 206/564; 220/23.8, 359.2, 359.1, 500, 555, 220/657, 659, 904, 23.6; 426/115, 119, 426/128; 434/259; 273/293; 229/125.35, 229/406, 246, 123.1, 5.5, 200–203, 404, 229/120.1; D30/130; D6/530; D32/53.1  
 CPC .... B65D 1/30; B65D 21/02; B65D 21/0202; B65D 21/0231; B65D 2543/00296; B65D 2577/2083; B65D 43/162; B65D 5/009; B65D 75/327; B65D 75/527; B65D 75/5888; B65D 81/361; G09B 1/36

See application file for complete search history.

(56) **References Cited**

U.S. PATENT DOCUMENTS

3,511,433 A \* 5/1970 Andrews ..... B65D 43/162  
 220/4.23  
 3,567,013 A \* 3/1971 Tannebaum ..... B65D 75/225  
 206/538  
 3,673,987 A \* 7/1972 Fletcher ..... B65D 1/30  
 119/490  
 3,845,574 A \* 11/1974 Majewski ..... G09B 1/36  
 273/293  
 D241,622 S \* 9/1976 Smith ..... D9/760  
 4,067,475 A \* 1/1978 Pinkau ..... B65D 81/361  
 206/504  
 D261,465 S \* 10/1981 Minchew ..... D30/130  
 D273,765 S \* 5/1984 Cillario ..... D9/425

(Continued)

OTHER PUBLICATIONS

New Package Design by PolyOne, available Mar. 7, 2016, [online], [site visited Mar. 7, 2016]. Available from internet, <URL: <http://www.polyone.com/idea/new-packaging-design-delivers-space-savings-and-efficiency>>.\*

(Continued)

*Primary Examiner* — Cathron Brooks  
*Assistant Examiner* — Teddy Falloway  
 (74) *Attorney, Agent, or Firm* — Michael J. Sambrook

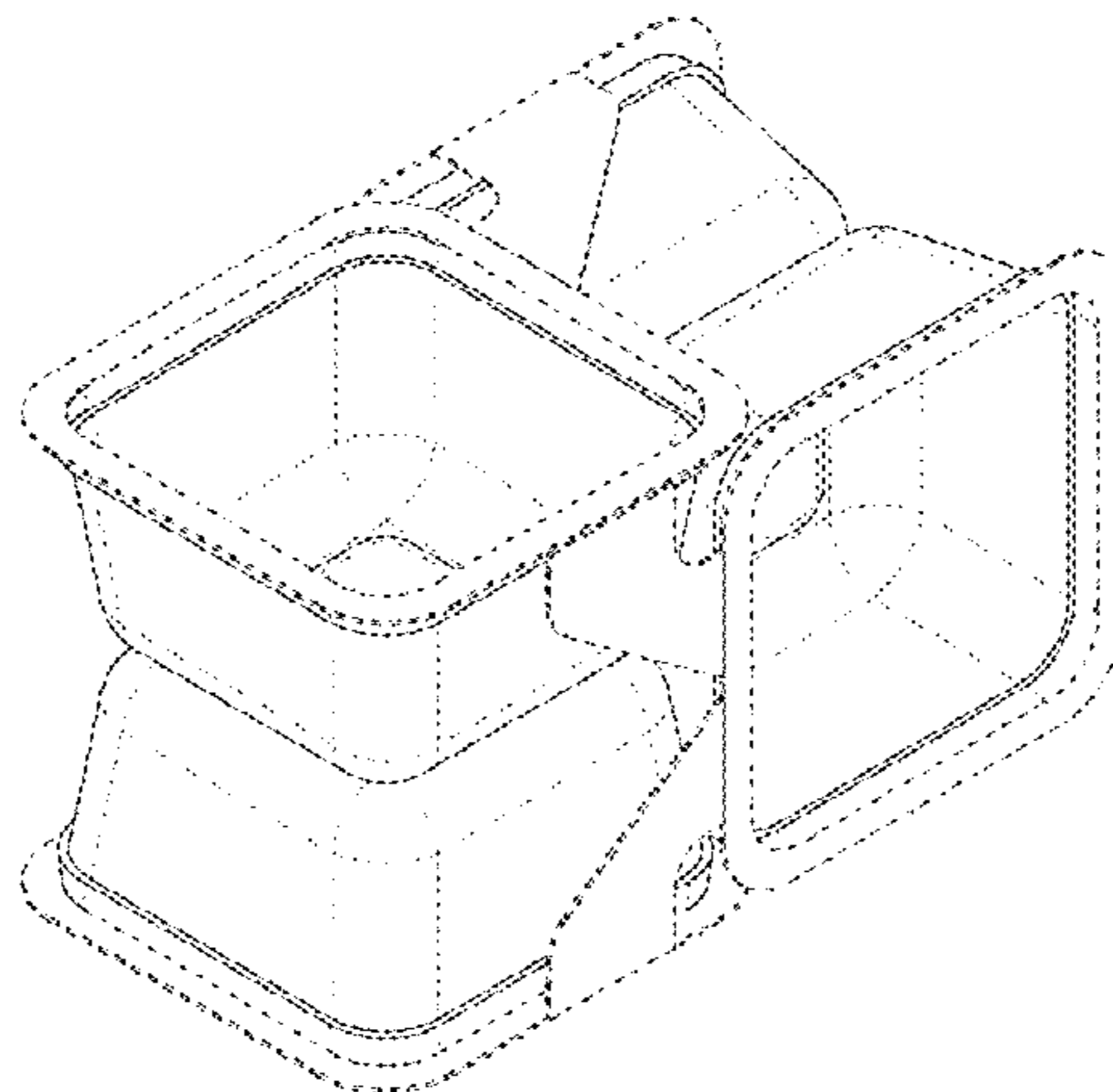
(57) **CLAIM**

The ornamental design for a packaging assembly, as shown and described.

**DESCRIPTION**

FIG. 1 is a perspective view of a packaging assembly showing our new design  
 FIG. 2 is a front view thereof;  
 FIG. 3 is a back view thereof;  
 FIG. 4 is a right side view thereof;  
 FIG. 5 is a left side view thereof;  
 FIG. 6 is a top view thereof; and,  
 FIG. 7 is a bottom view thereof.  
 The broken lines in the drawings show portions of the packaging assembly that form no part of the claimed design.

**1 Claim, 7 Drawing Sheets**



(56)

References Cited

U.S. PATENT DOCUMENTS

D316,971 S \* 5/1991 Kearnes ..... D9/424  
 5,310,071 A \* 5/1994 Rivlin ..... B65D 81/361  
 206/509  
 5,409,127 A \* 4/1995 Stratford ..... B65D 1/30  
 220/23.4  
 D365,272 S \* 12/1995 Krupa ..... D9/420  
 D378,894 S \* 4/1997 Mello ..... D9/415  
 5,810,187 A \* 9/1998 Woodring ..... B65D 67/02  
 206/504  
 D411,768 S \* 7/1999 Woodring ..... D3/314  
 D417,785 S \* 12/1999 Daniels ..... D3/313  
 D448,130 S \* 9/2001 Wagner ..... D32/53.1  
 D456,707 S \* 5/2002 Agarwal ..... D9/717  
 D485,942 S \* 1/2004 McLeish ..... D28/8.1  
 D530,626 S \* 10/2006 Tanja ..... D9/416  
 7,205,016 B2 4/2007 Garwood  
 D543,452 S \* 5/2007 Gehring ..... D9/759  
 D575,148 S \* 8/2008 Sagel ..... D9/761  
 D591,174 S \* 4/2009 Larson ..... D9/425  
 D596,954 S \* 7/2009 Jimenez ..... D9/423  
 D659,023 S \* 5/2012 Hsu ..... D9/737  
 D679,863 S \* 4/2013 Sunder ..... D28/8.1

D687,715 S \* 8/2013 Schill ..... D9/414  
 D700,016 S \* 2/2014 Filbrun ..... D7/553.1  
 D713,741 S \* 9/2014 Wilmers ..... D9/424  
 9,038,820 B2 \* 5/2015 Ashry ..... B65D 5/009  
 206/216  
 D745,825 S \* 12/2015 Bushida ..... D9/429  
 D747,959 S \* 1/2016 Graham ..... D9/414  
 D750,974 S \* 3/2016 McSweeney ..... D9/426  
 2004/0195255 A1 10/2004 Tucker et al.  
 2006/0051463 A1 3/2006 Lopez-Garcia  
 2006/0086640 A1 \* 4/2006 Luciano, Jr. .... A61J 7/0069  
 206/534  
 2011/0000812 A1 \* 1/2011 Laupie ..... B65D 1/20  
 206/503  
 2014/0054194 A1 \* 2/2014 Ting ..... B65D 81/022  
 206/523

OTHER PUBLICATIONS

Boulder Brands, Inc., "Photo Release—Boulder Brands Introduces Innovative Packaging; Smart Balance & Earth Balance Spreads Switch to Square Packaging From Round; Move Saves 50 percent in Dairy Case & Warehouse Space," Press Release, May 15, 2013.

\* cited by examiner

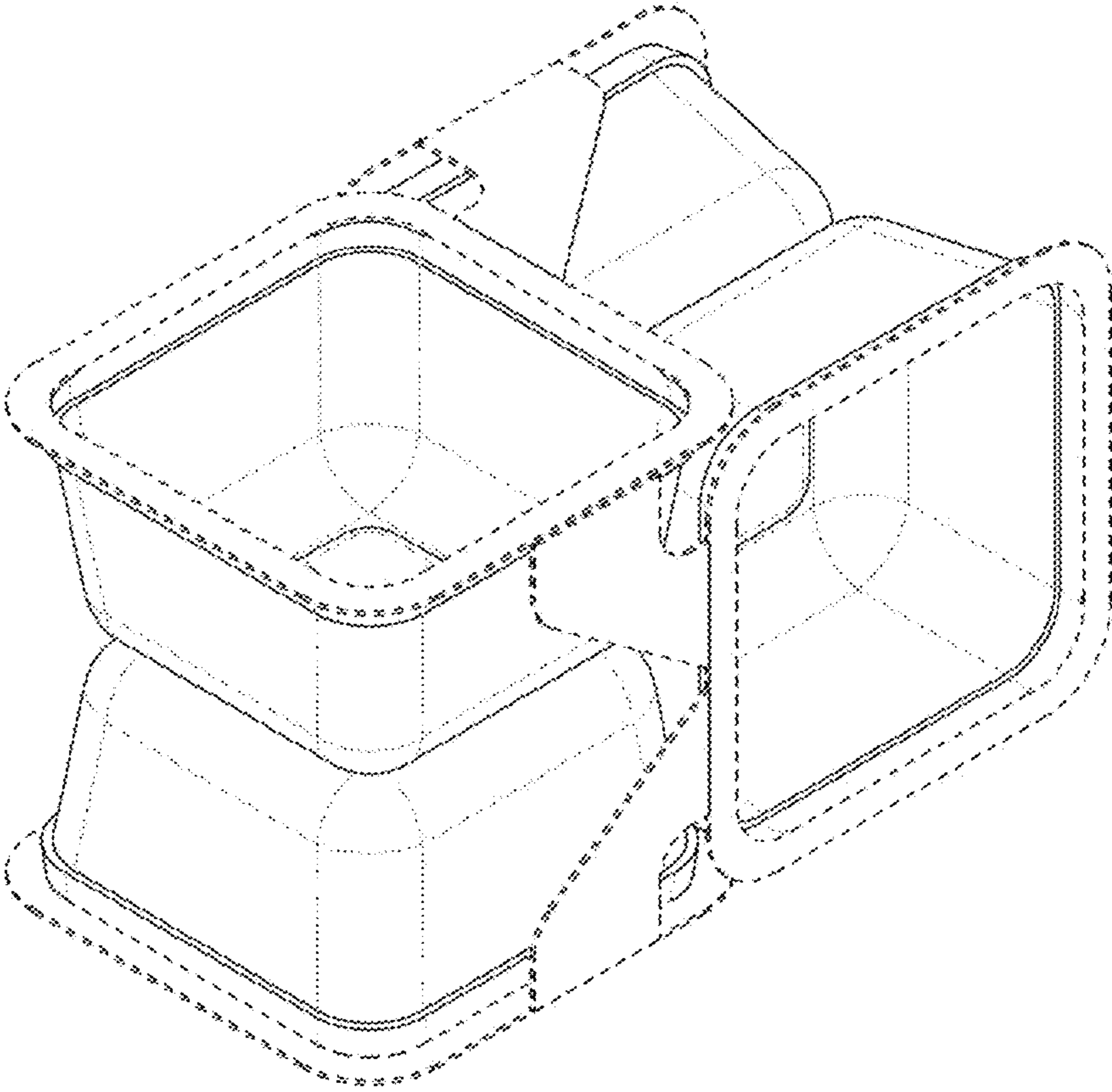


Fig. 1

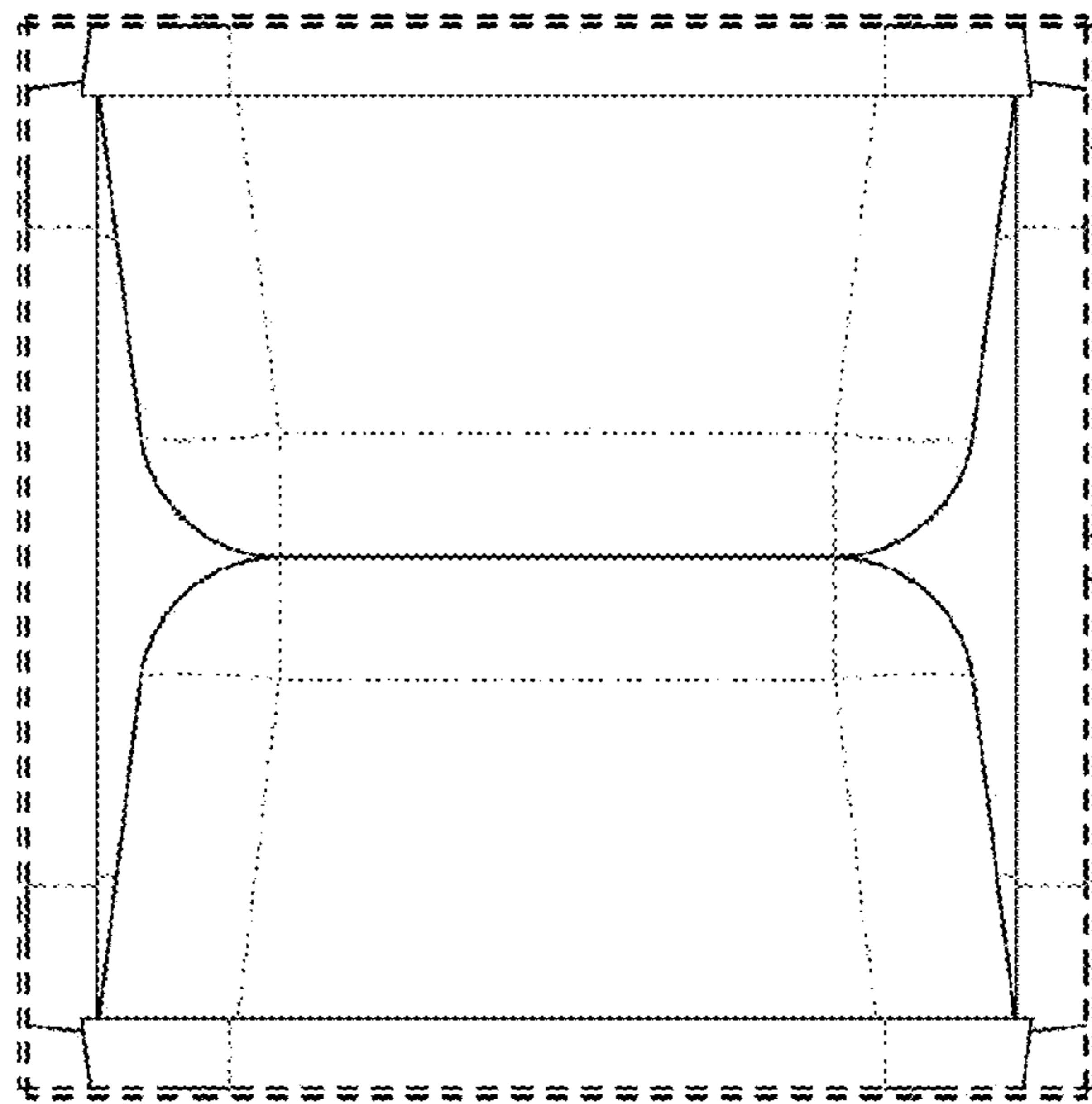


Fig. 2

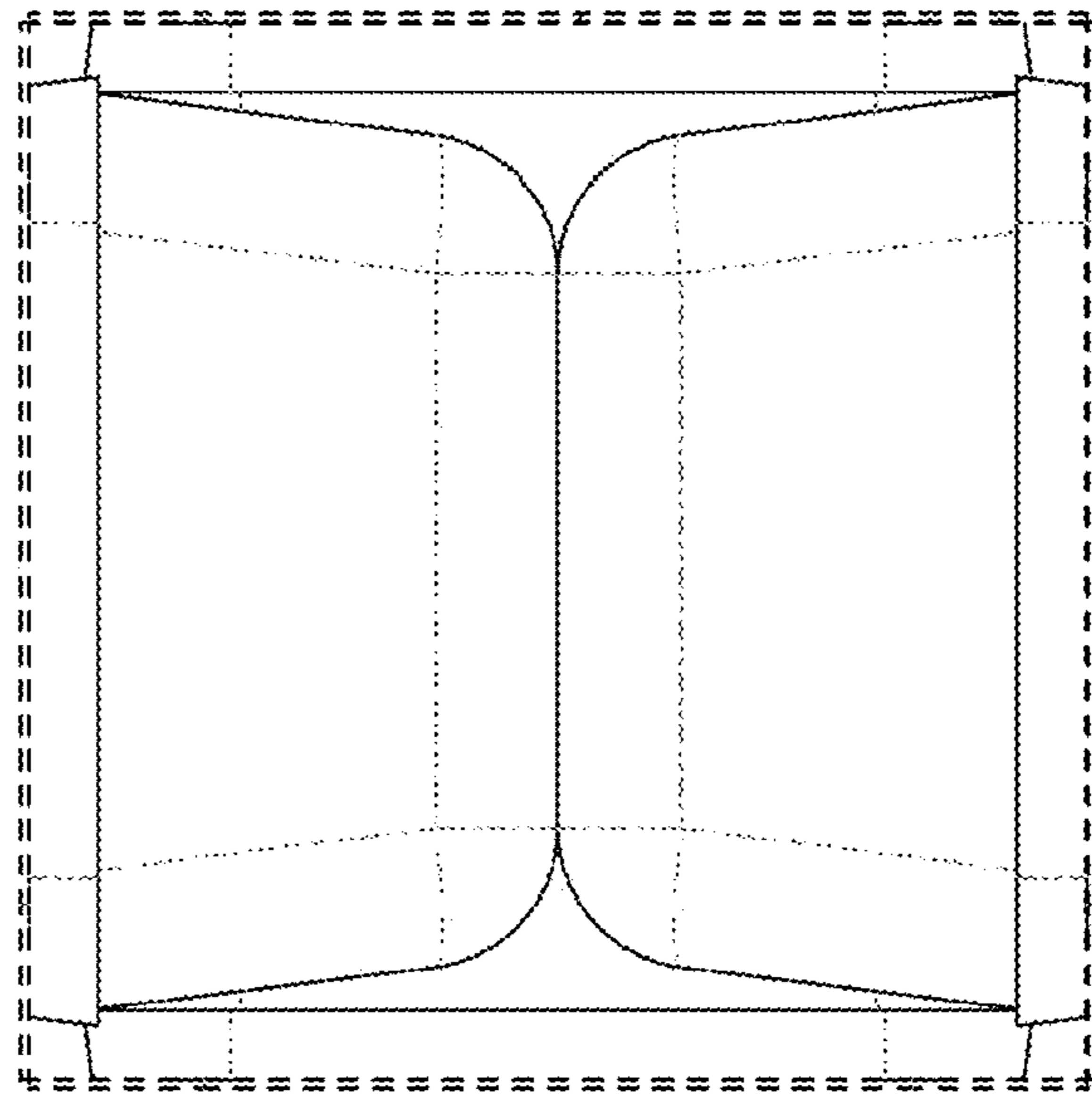


Fig. 3

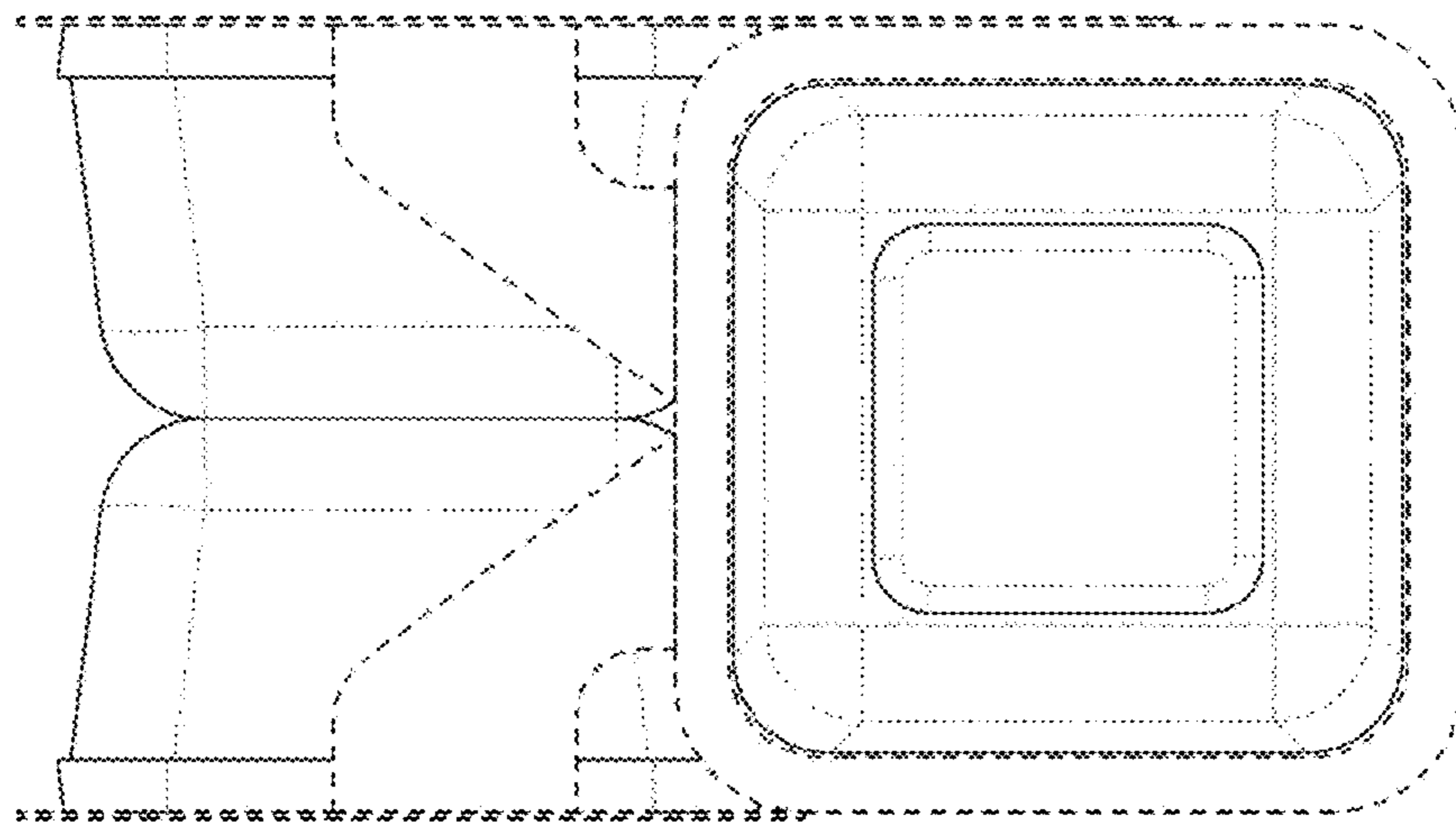


Fig. 4

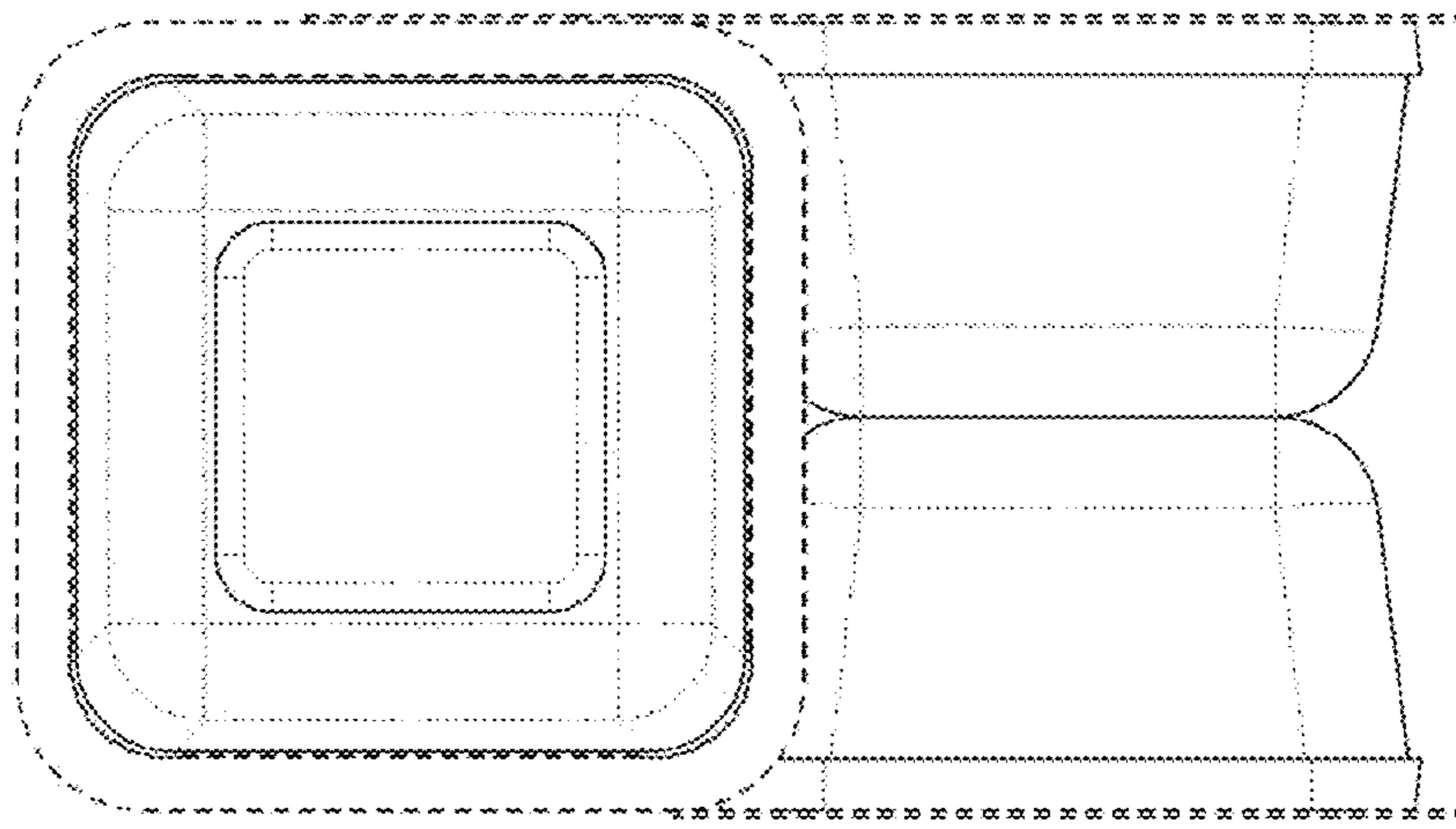


Fig. 5

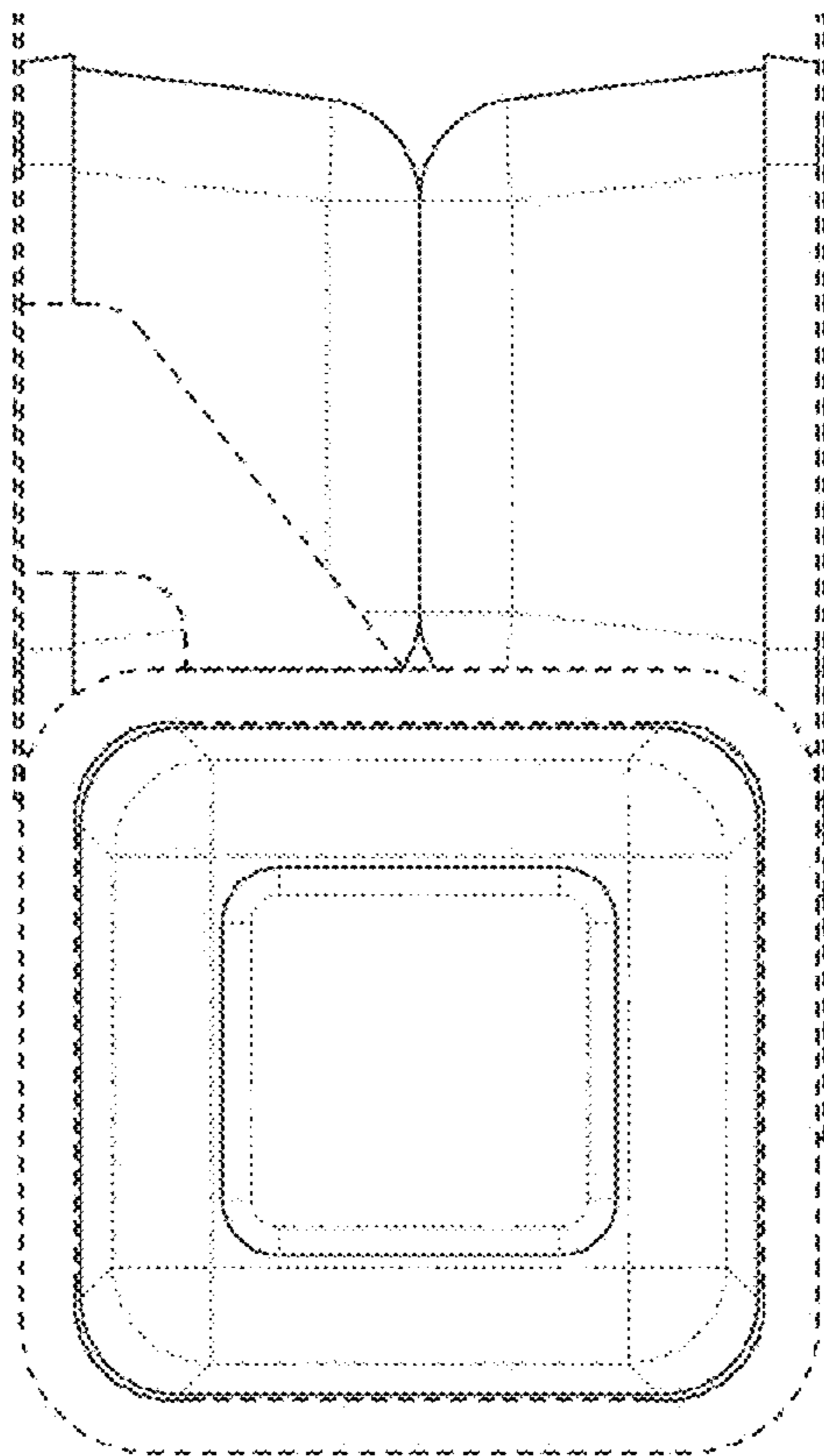


Fig. 6



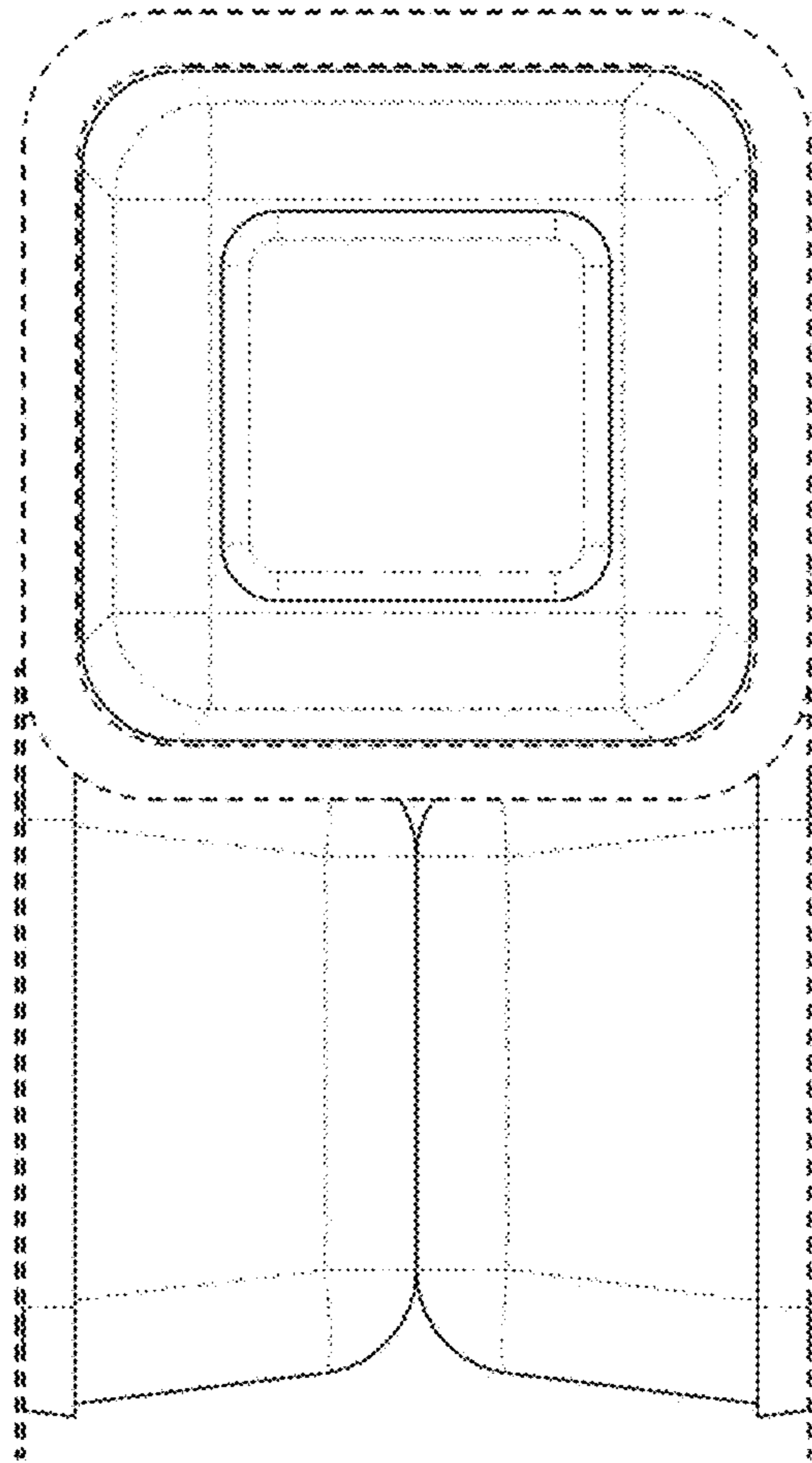


Fig. 7