



US00D768507S

(12) **United States Design Patent**
Hotell

(10) **Patent No.:** **US D768,507 S**

(45) **Date of Patent:** **** Oct. 11, 2016**

(54) **MODULAR FLUID DRINKING BOTTLE**

(71) Applicant: **Nice Reusables, Inc.**, Carlsbad, CA (US)

(72) Inventor: **Chris Hotell**, Carlsbad, CA (US)

(73) Assignee: **Nice Reusables, Inc.**, Carlsbad, CA (US)

(**) Term: **14 Years**

(21) Appl. No.: **29/526,704**

(22) Filed: **May 12, 2015**

(51) **LOC (10) Cl.** **09-01**

(52) **U.S. Cl.**

USPC **D9/738**; D9/746

(58) **Field of Classification Search**

USPC D9/529, 503, 551, 543, 504, 500, 541, D9/542, 570, 574, 747, 539, 569, 544, 573, D9/686, 715, 716, 719, 721, 737, 738, 743, D9/751, 752, 761, 741, 746, 744; D7/509-511, 563, 573, 513, 300, 308, D7/312, 315, 601, 602, 619.1, 622, 629, D7/608, 305; 206/434, 426, 427, 429, 430, 206/485, 485.1, 499, 508, 431; 229/117.3, 229/185, 121, 122, 200, 207, 236, 87.01; 220/23.83, 660, 662, 669, 675, 212; 215/379, 381-384, 228

CPC B65D 81/3205; B65D 1/16; B65D 1/48; B65D 25/20; A45F 3/20

See application file for complete search history.

(56) **References Cited**

U.S. PATENT DOCUMENTS

- 36,131 A * 8/1862 Zettle B65D 45/28
215/290
- D39,857 S * 3/1909 Kelley D7/608
- 924,969 A 6/1909 DeWolf
- 1,107,700 A 8/1914 Pick

- 1,748,483 A 2/1930 Hyde
- D96,566 S 8/1935 Straus
- D105,943 S 9/1937 Fuerst
- D176,321 S 12/1955 Guild et al.
- D176,324 S 12/1955 Guild et al.
- D176,372 S 12/1955 Noyack
- D177,787 S 5/1956 Wolff
- 2,782,614 A 2/1957 Currie
- D180,176 S 4/1957 Cortney

(Continued)

OTHER PUBLICATIONS

Alex Bottle, available Dec. 16, 2010, [online], [site visited May 13, 2016]. Available from internet, <URL: <http://www.alexbottle.com/shop/>>.*

(Continued)

Primary Examiner — Cathron Brooks

Assistant Examiner — Teddy Falloway

(74) *Attorney, Agent, or Firm* — James A. Sheridan; Sheridan Law, LLC

(57)

CLAIM

The ornamental design for a modular fluid drinking bottle, as shown and described.

DESCRIPTION

FIG. 1 is a perspective view of a fluid drinking bottle, showing my new design, with a cap portion attached to an upper bottle portion, which is in turn attached to a lower bottle portion;

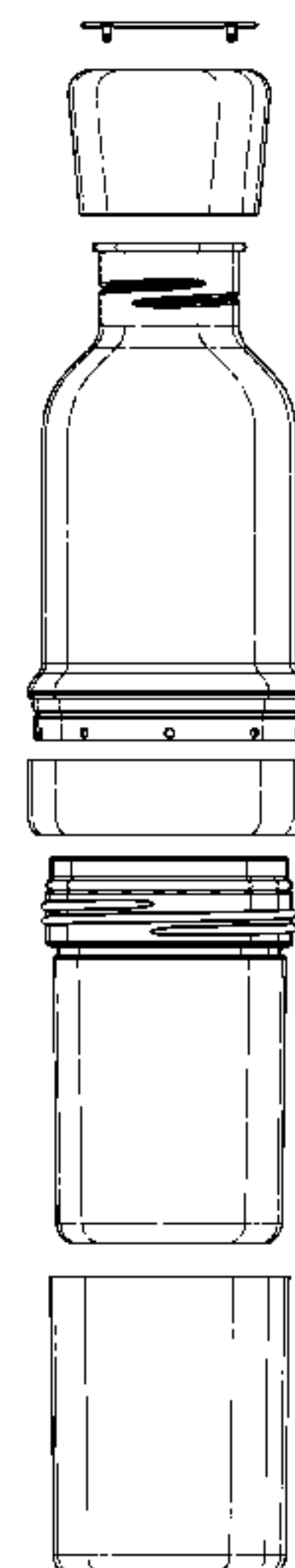
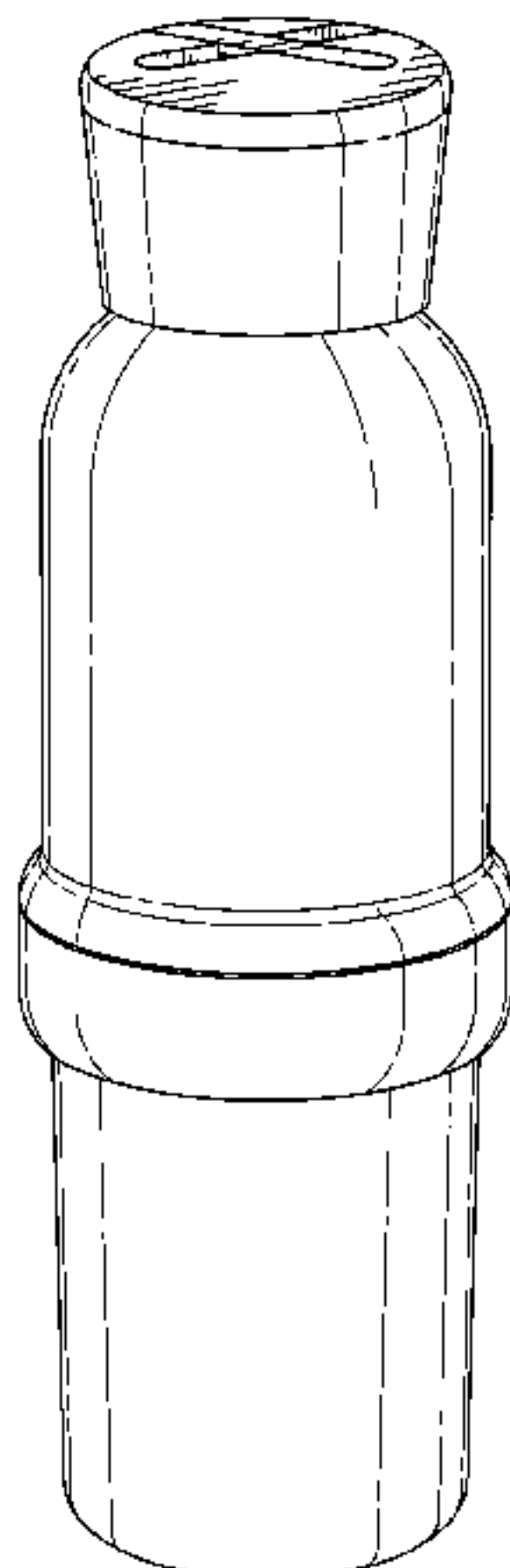
FIG. 2 is an elevational view thereof and illustrates a front elevational view, a rear elevational view, a left side elevational view, and a right side elevational view;

FIG. 3 is a top plan view thereof;

FIG. 4 is a bottom plan view thereof; and,

FIG. 5 is an exploded view thereof, and illustrates screw thread connectors configured to connect each of the segments of the modular components.

1 Claim, 4 Drawing Sheets



(56)

References Cited

U.S. PATENT DOCUMENTS

D185,339 S 5/1959 Wolff
 D189,302 S 11/1960 Skupien
 D196,413 S 9/1963 McCormick
 D232,048 S 7/1974 Bannberger
 3,940,013 A * 2/1976 Bonnett B65D 1/16
 206/510
 D246,858 S * 1/1978 Larson D24/199
 D250,314 S 11/1978 Elliott et al.
 D278,796 S * 5/1985 Fortuna D9/428
 4,852,757 A 8/1989 Gold
 5,373,940 A 12/1994 Hillelson
 D354,909 S * 1/1995 Blanche D7/596
 D370,089 S 5/1996 Faverio
 D547,123 S 7/2007 Sandberg
 D552,798 S 10/2007 Py et al.
 D562,137 S 2/2008 Florio
 D573,406 S 7/2008 Thurmond, Jr.
 7,537,136 B2 5/2009 Hechmati
 D594,708 S 6/2009 Silverstein et al.
 D595,091 S 6/2009 Poindexter et al.
 D601,852 S 10/2009 Newman
 D605,522 S * 12/2009 Jaeger D9/449
 D611,772 S 3/2010 Silverstein et al.
 D623,460 S 9/2010 Krasner
 D623,961 S * 9/2010 Maccario D9/428
 D627,601 S 11/2010 Eyal
 D634,162 S 3/2011 Holscher
 D635,397 S 4/2011 Hollis et al.
 D639,117 S 6/2011 Jonsson
 D644,066 S 8/2011 Hotell et al.

D644,879 S 9/2011 Hadley
 D645,700 S 9/2011 Hadley
 D647,369 S * 10/2011 Bryman D7/507
 D654,752 S * 2/2012 Krasner D30/132
 D662,767 S 7/2012 Hotell et al.
 D689,332 S * 9/2013 Krasner D30/132
 8,596,480 B2 * 12/2013 Arjomand B65D 7/04
 206/218
 D722,503 S * 2/2015 Smith D9/516
 9,061,795 B2 * 6/2015 Girardot B65D 23/001
 D742,699 S * 11/2015 Boroski D7/608
 D752,391 S * 3/2016 Hatherell D7/510
 D753,442 S * 4/2016 Weernink D7/507
 2009/0134111 A1 * 5/2009 Schroeder B65D 5/4212
 215/10
 2009/0188884 A1 * 7/2009 Nelson A61J 9/008
 215/6
 2011/0204048 A1 * 8/2011 Carino A45F 3/18
 220/4.03
 2012/0193316 A1 * 8/2012 Starks B65D 81/3205
 215/6

OTHER PUBLICATIONS

Alex Bottle (via cool hunting), available Dec. 7, 2010, [online], [site visited May 13, 2016]. Available from internet, <URL <http://www.coolhunting.com/design/alex-bottle>>.*
 999Bottle (via inhabitat), available May 1, 2012, [online], [site visited May 13, 2016]. Available from internet, <URL <http://inhabitat.com/999bottles-reusable-water-bottle-keeps-track-of-the-disposable-bottles-you-dont-buy/>>.*

* cited by examiner

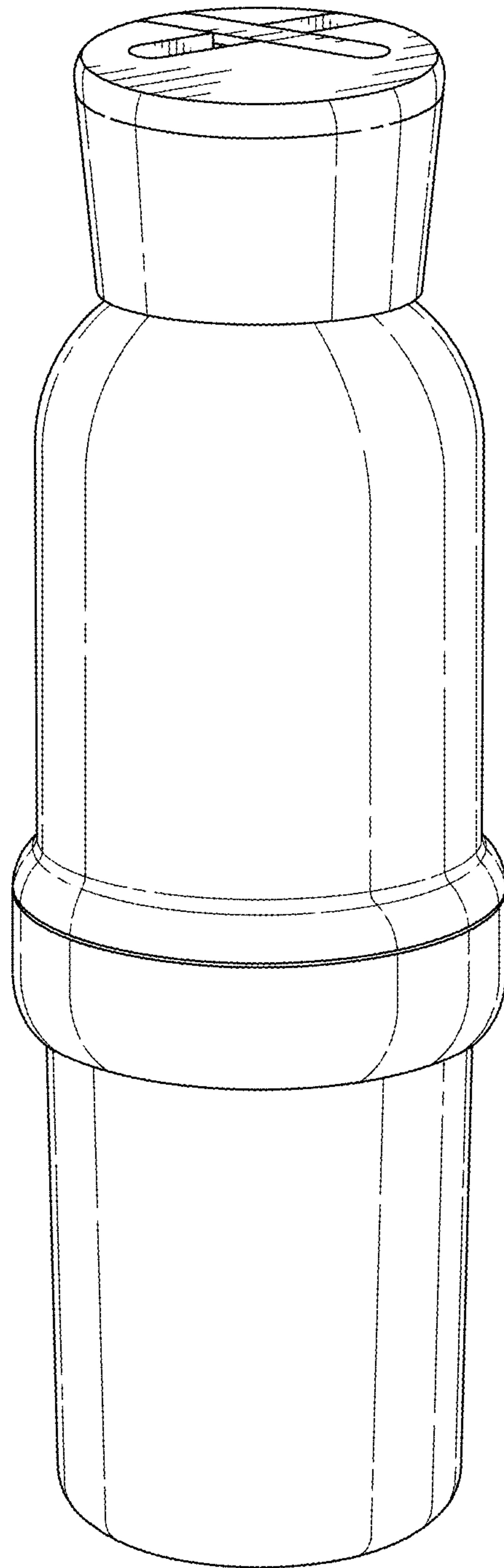


FIG. 1

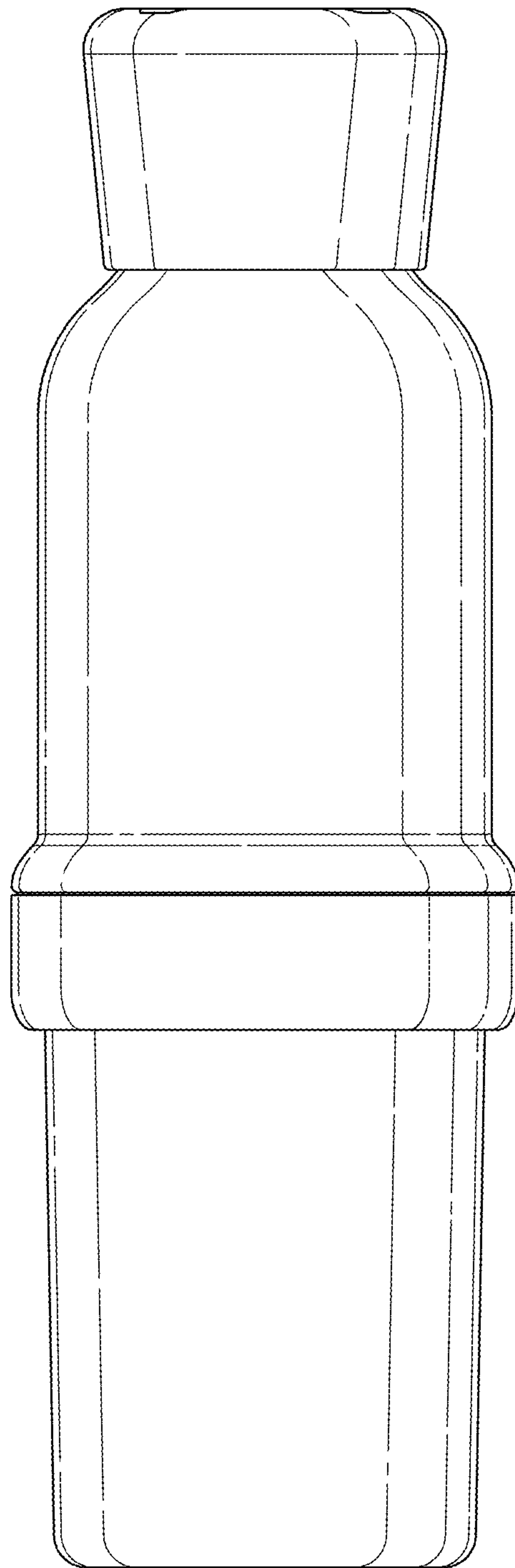


FIG. 2

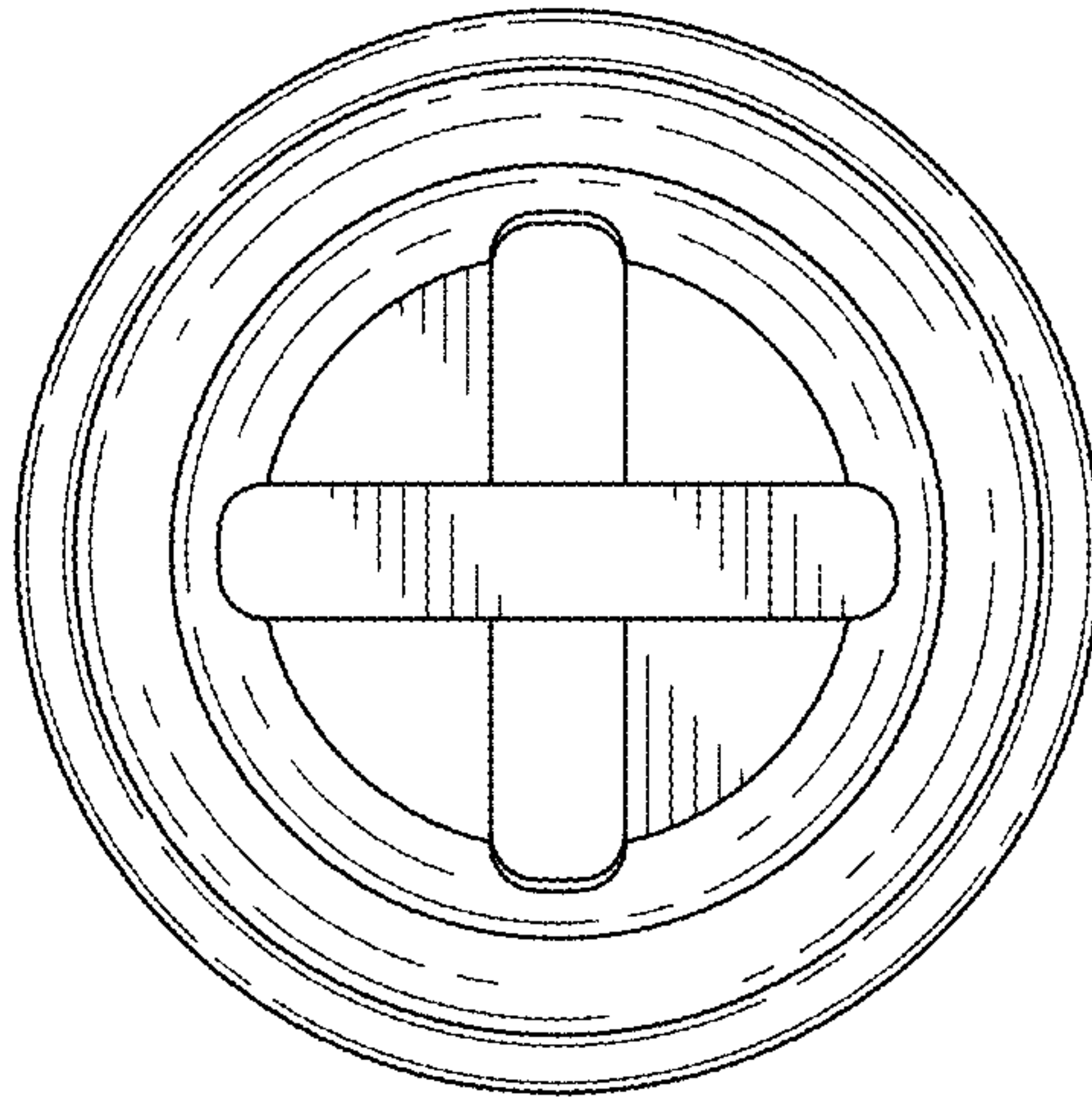


FIG. 3

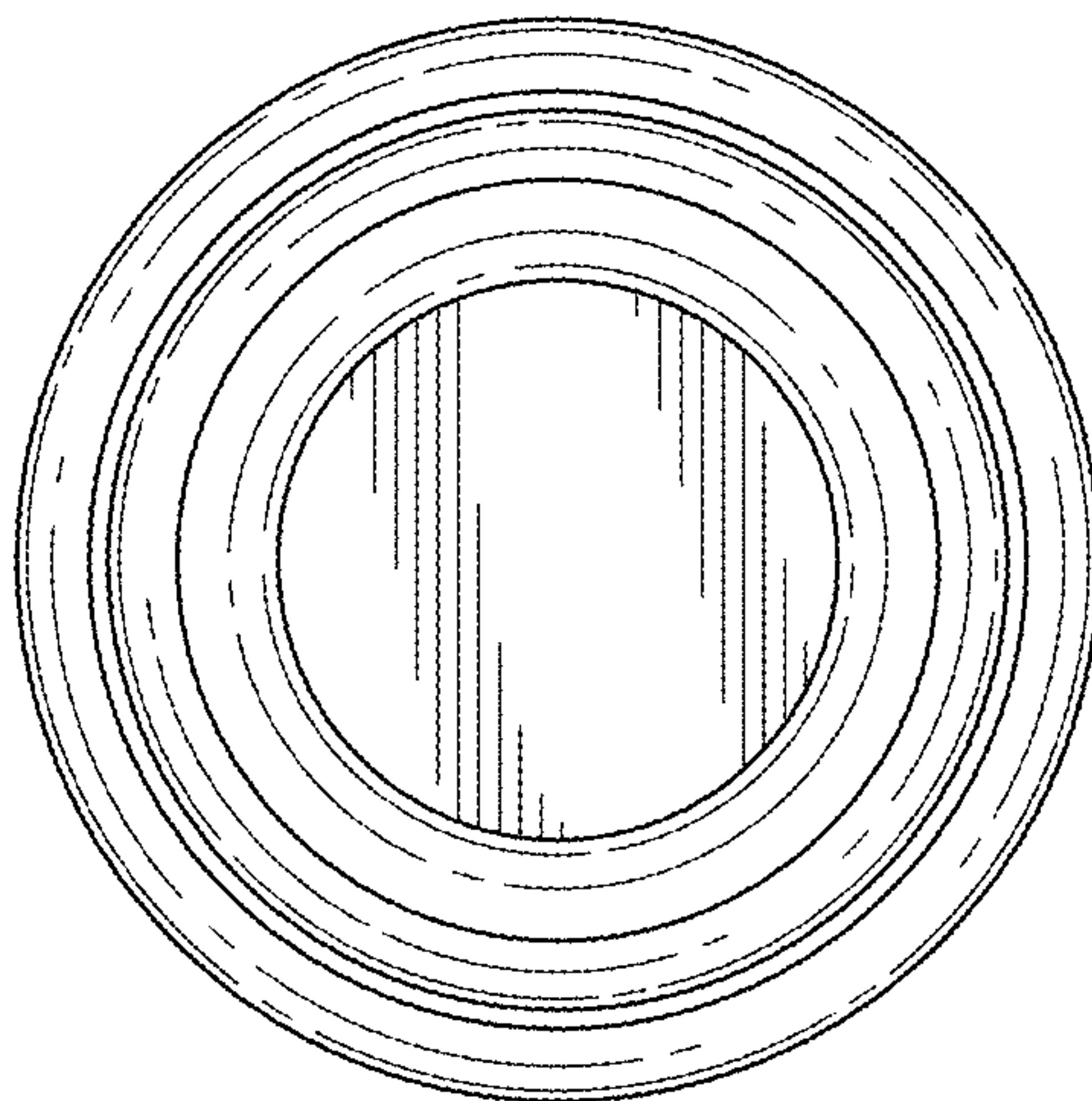


FIG. 4

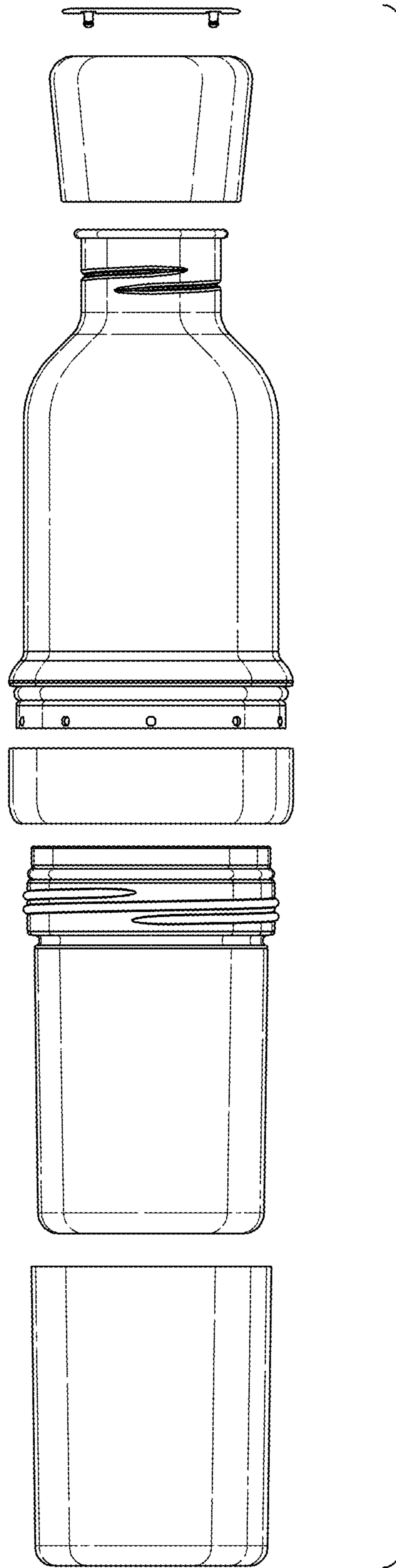


FIG. 5