



US00D768506S

(12) **United States Design Patent**
Hua

(10) **Patent No.:** **US D768,506 S**
(45) **Date of Patent:** **** Oct. 11, 2016**

(54) **LIQUID BOTTLE**

(71) Applicant: **Jian Hua**, Shenzhen (CN)

(72) Inventor: **Jian Hua**, Shenzhen (CN)

(**) Term: **15 Years**

(21) Appl. No.: **29/527,510**

(22) Filed: **May 20, 2015**

(51) **LOC (10) Cl.** **09-01**

(52) **U.S. Cl.**
USPC **D9/724**

(58) **Field of Classification Search**
USPC D9/454, 544–546, 549, 723–727;
D19/66, 71; D24/115, 119; 206/823;
215/270, 271, 329, 381; 221/303;
222/206, 212, 213, 215; 401/196, 202,
401/209–220
CPC A45D 34/04; A45D 34/042; A45D 40/00;
A45D 40/26; A45D 40/262; B65D 1/023;
B65D 41/02; B65D 47/18; B65D 2203/00
See application file for complete search history.

(56) **References Cited**

U.S. PATENT DOCUMENTS

D264,939 S * 6/1982 Stock D24/115
D312,768 S * 12/1990 Eastman D9/447

D337,259 S * 7/1993 Curtis D24/110
D352,875 S * 11/1994 Story D18/18
5,678,729 A * 10/1997 Raymond B65D 1/023
215/230
D409,303 S * 5/1999 Oepping D24/108
D531,205 S * 10/2006 Okino D18/43
D696,592 S * 12/2013 Ueta D9/723

* cited by examiner

Primary Examiner — Ian Simmons

Assistant Examiner — Janice Lim

(74) *Attorney, Agent, or Firm* — Novoclaims Patent
Services LLC; Mei Lin Wong

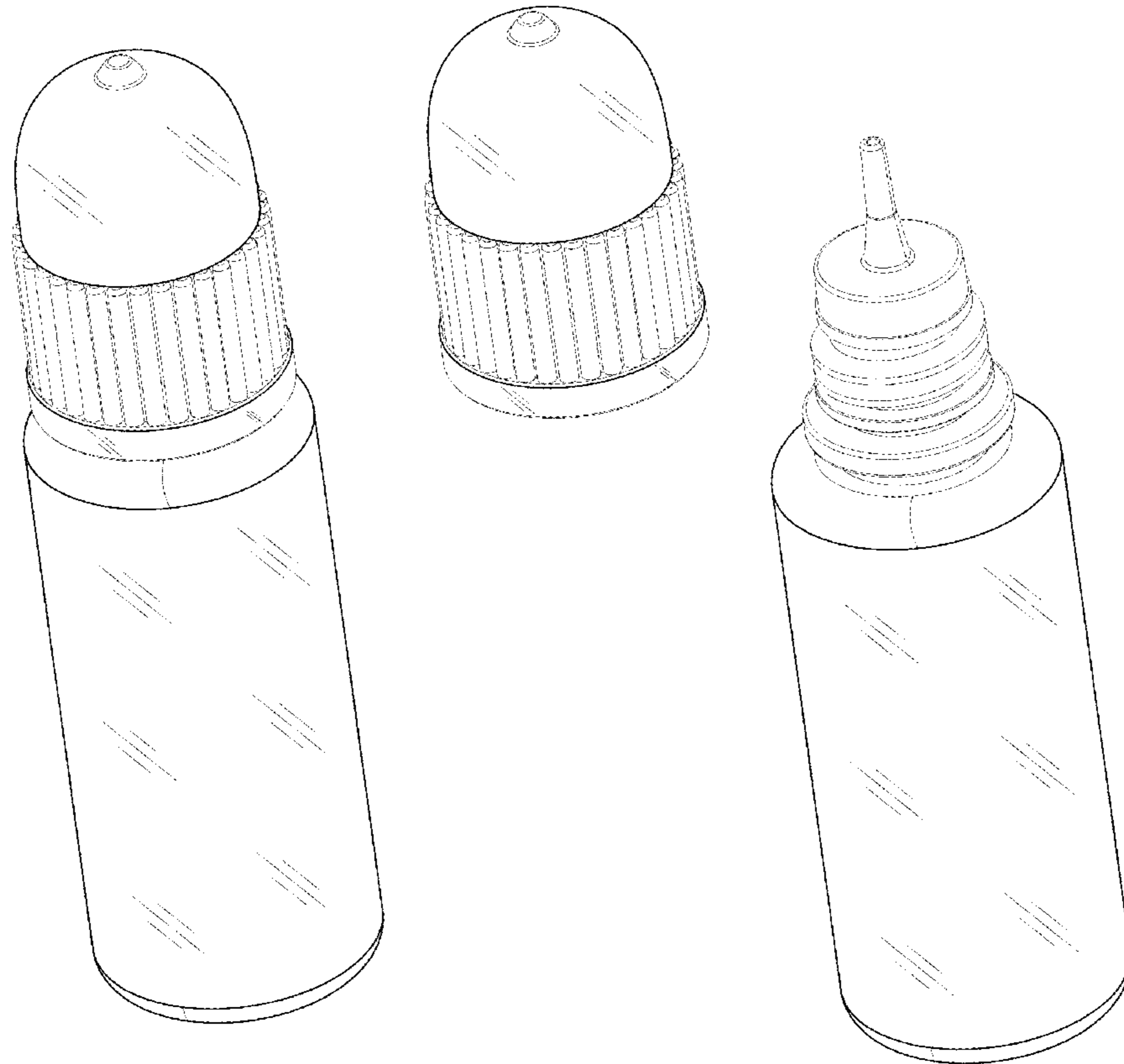
(57) **CLAIM**

The ornamental design for a liquid bottle, substantially as
shown and described.

DESCRIPTION

FIG. 1 is a perspective view of a liquid bottle, showing my
new design.
FIG. 2 is a front view thereof.
FIG. 3 is a rear view thereof.
FIG. 4 is a left side view thereof.
FIG. 5 is a right side view thereof.
FIG. 6 is a top plan view thereof.
FIG. 7 is a bottom plan view thereof; and,
FIG. 8 is another perspective view thereof, shown in opened
condition.

1 Claim, 8 Drawing Sheets



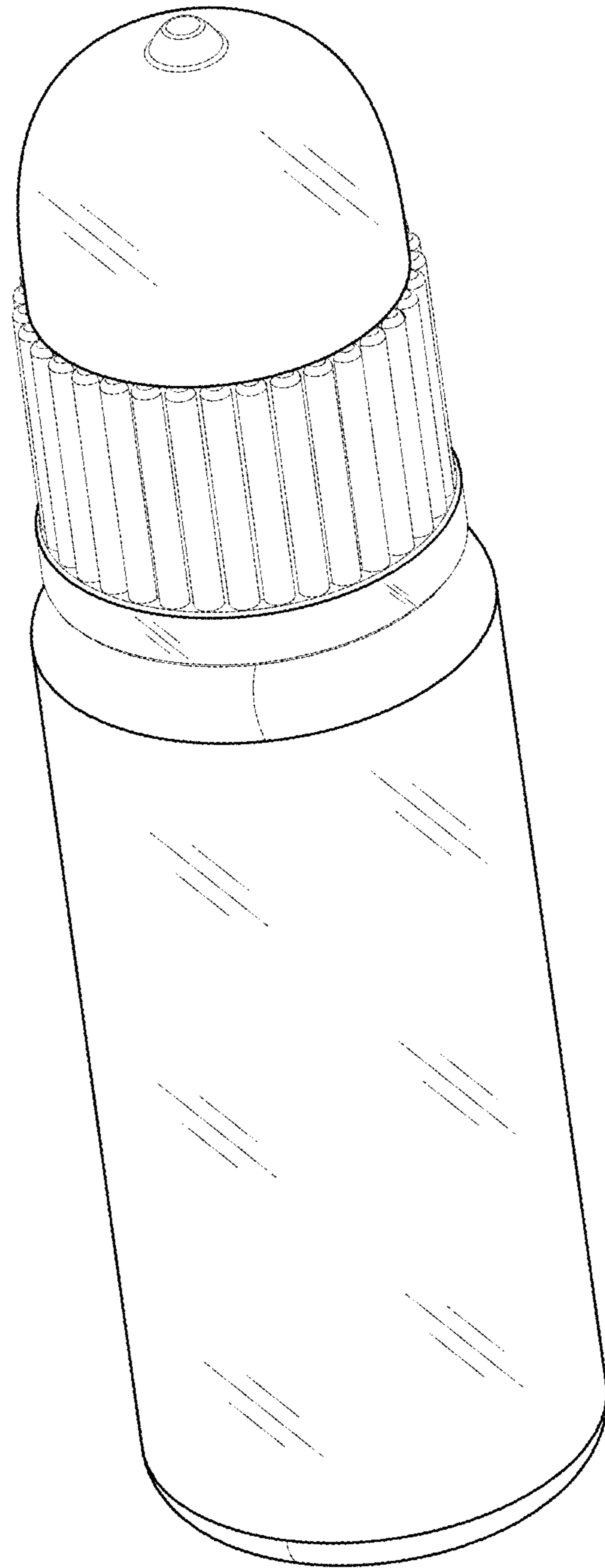


FIG. 1

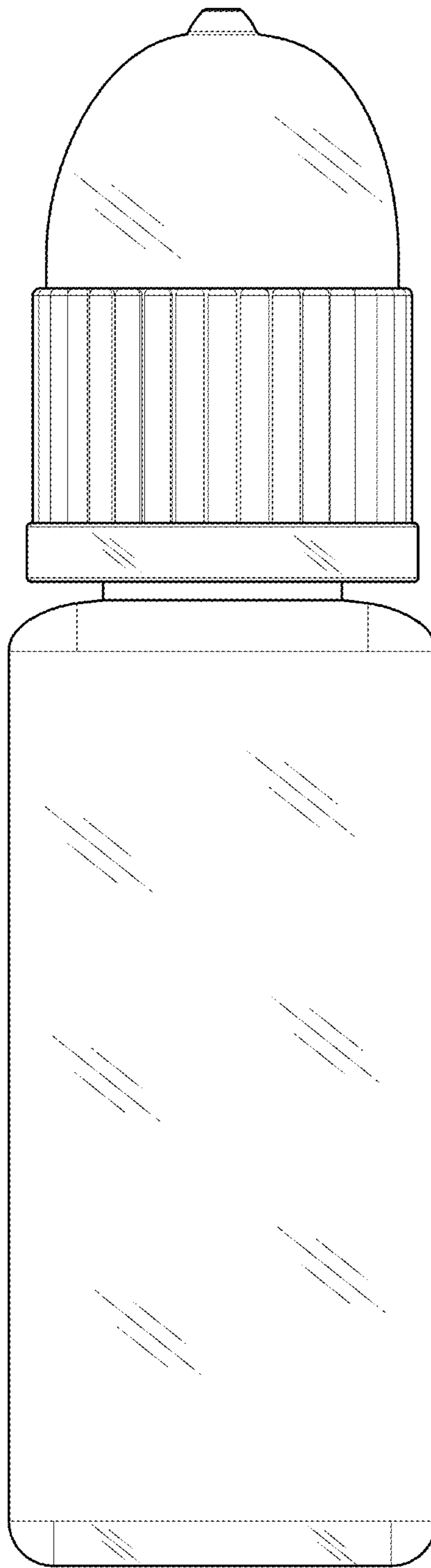


FIG. 2

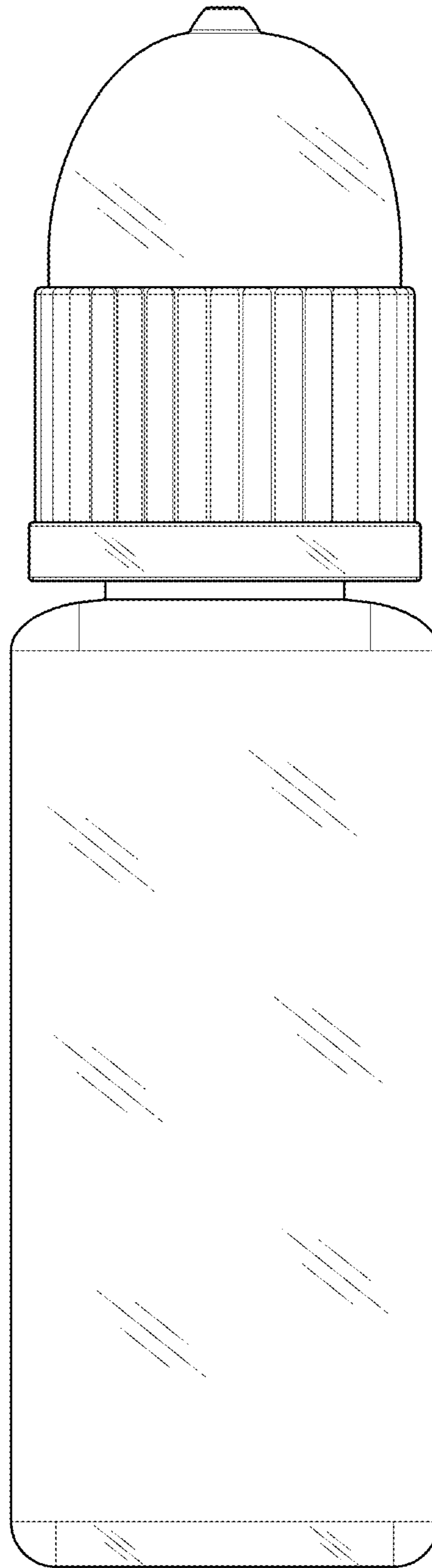


FIG. 3

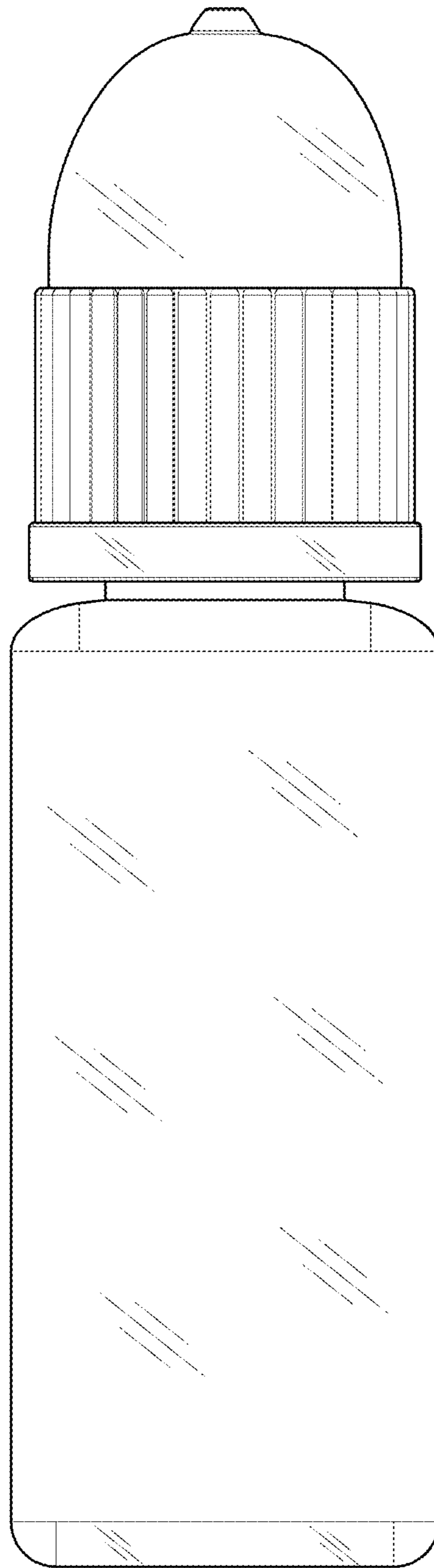


FIG. 4

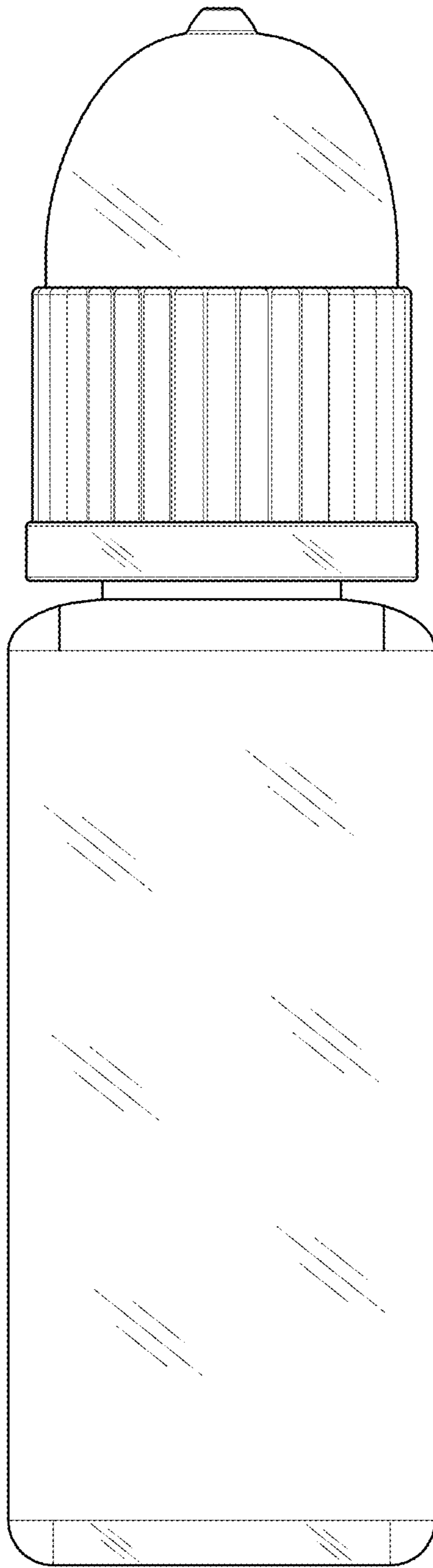


FIG. 5

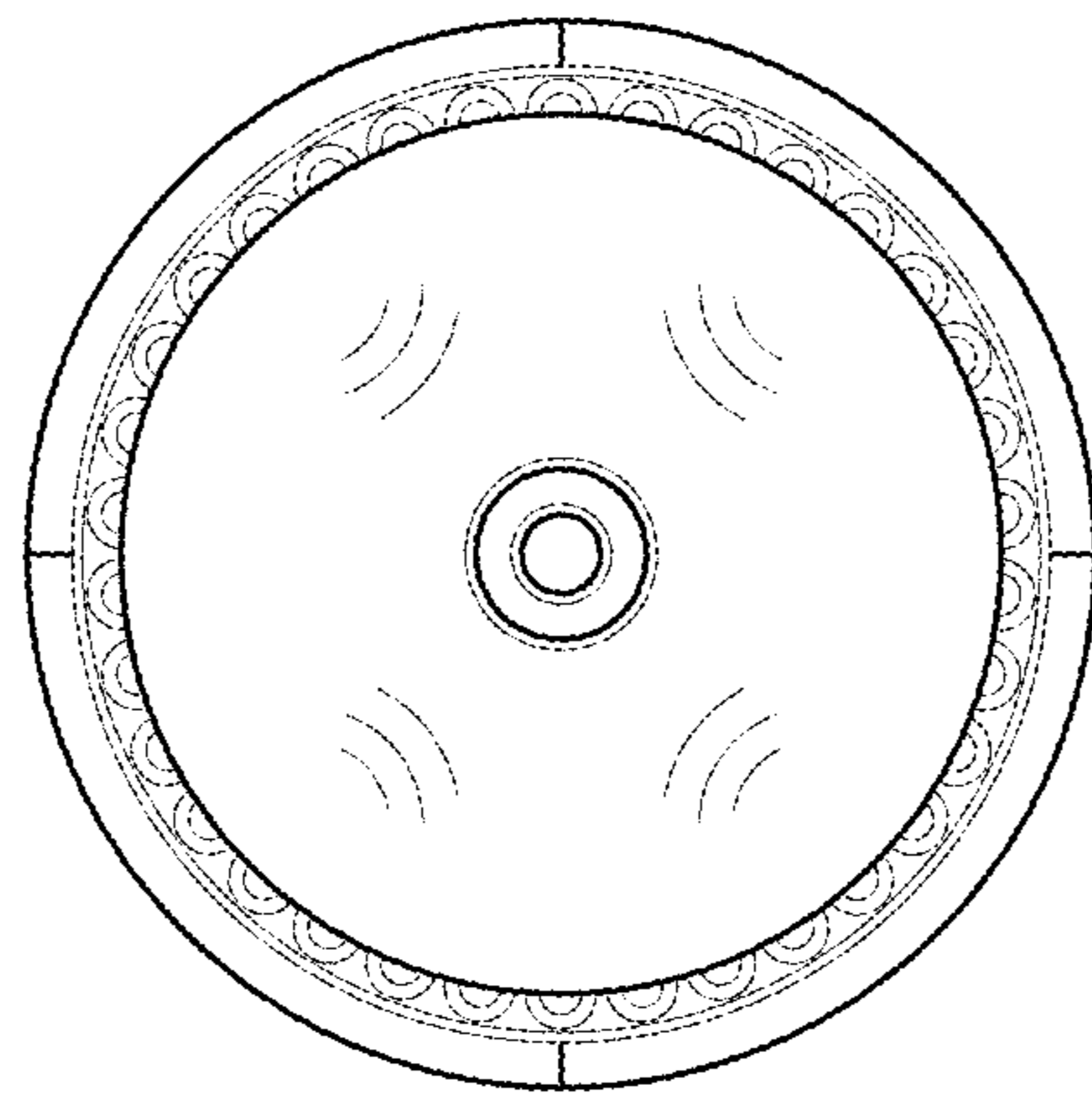


FIG. 6

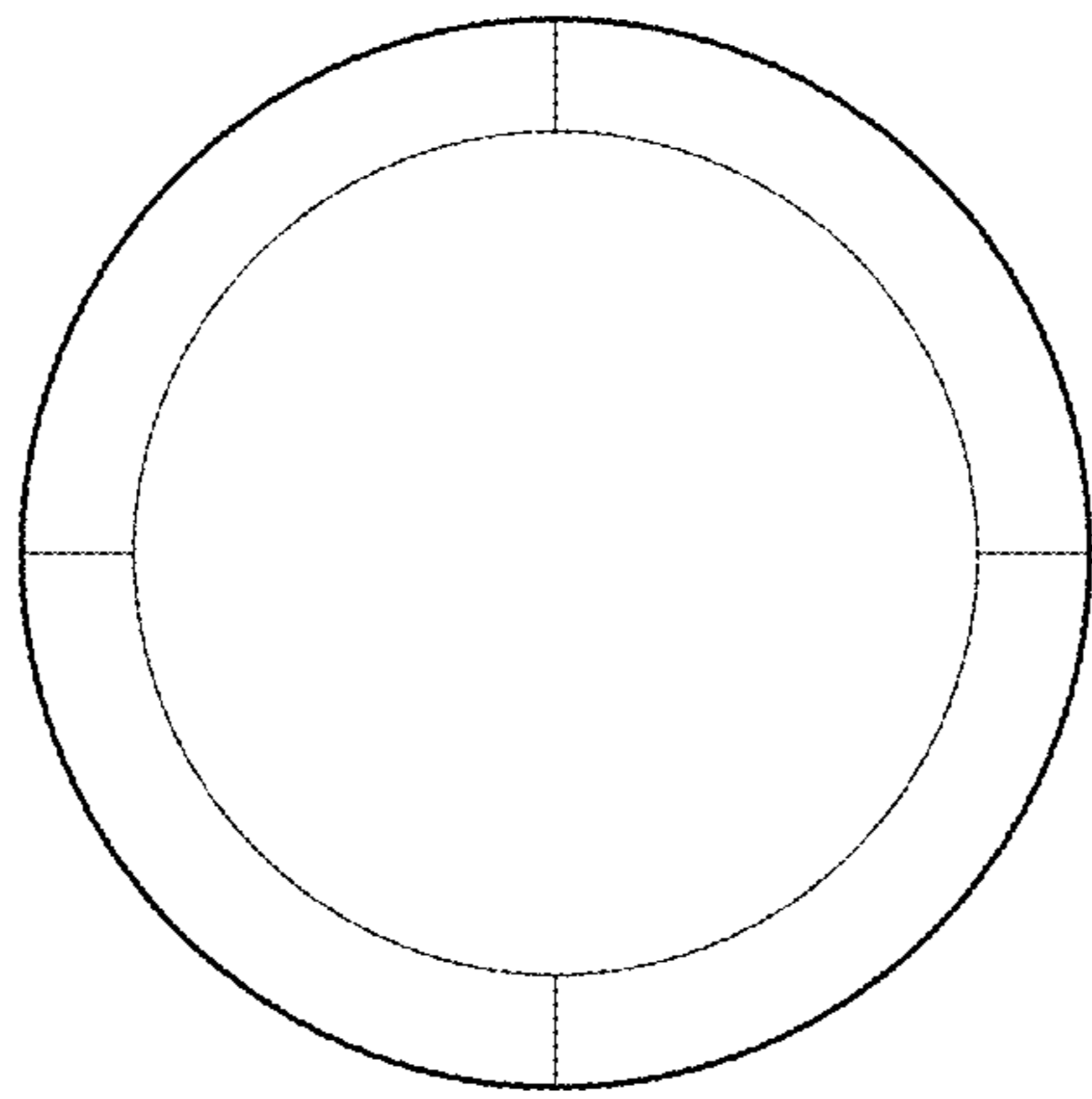


FIG. 7

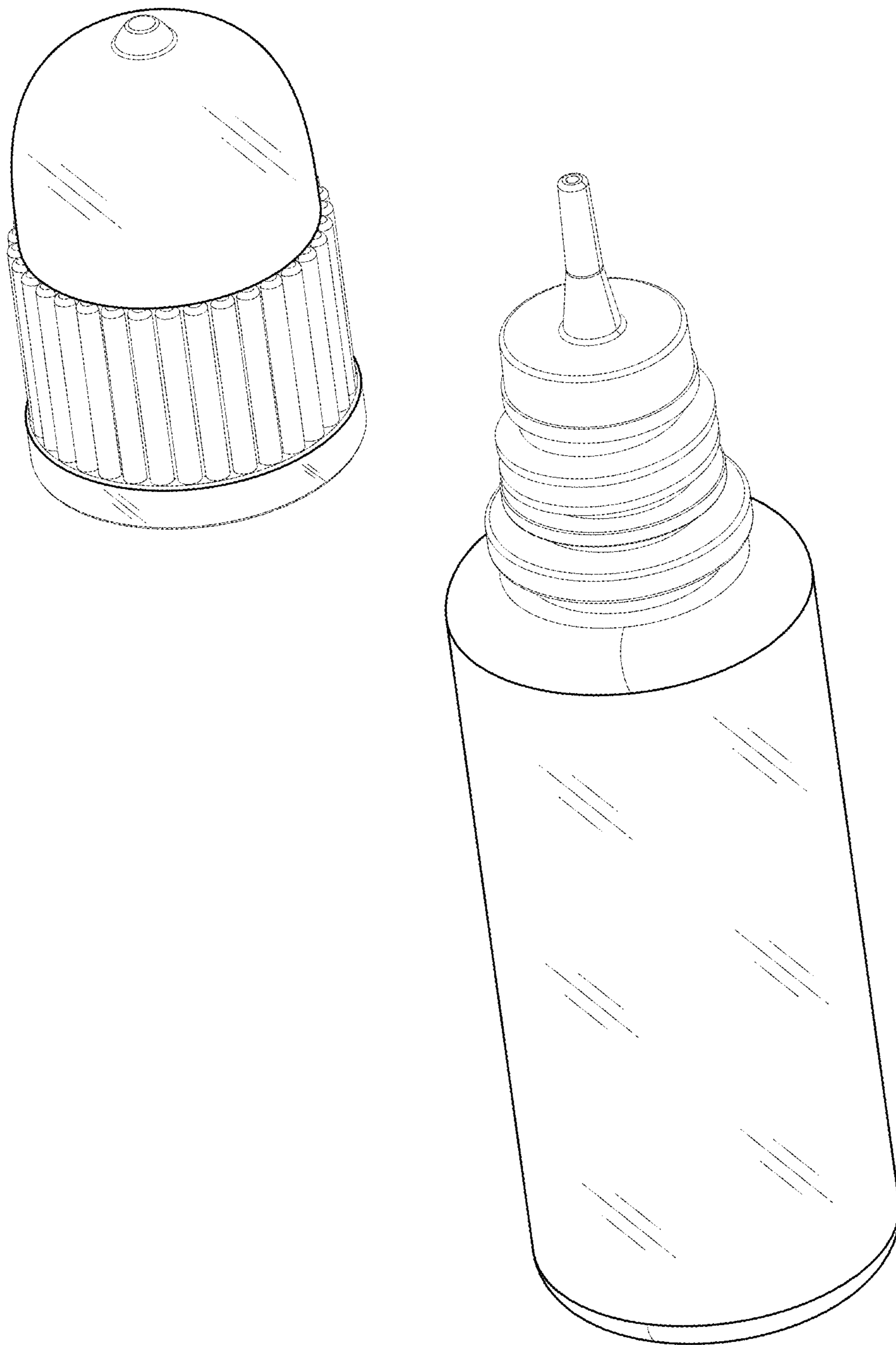


FIG. 8