

US00D768503S

(12) **United States Design Patent** (10) **Patent No.:** **US D768,503 S**
Kerr et al. (45) **Date of Patent:** **** Oct. 11, 2016**

(54) **FOAM DISPENSER**

(71) Applicant: **The Procter & Gamble Company,**
Cincinnati, OH (US)

(72) Inventors: **George Scott Kerr,** Mason, OH (US);
Lucio Frias, Maderia, OH (US); **Frank Ben Decker,** Lakeside Park, KY (US);
Jennifer Louise Searles, Mason, OH (US); **Peter Karl Patzak,** Darmstadt (DE)

(73) Assignee: **The Procter & Gamble Company,**
Cincinnati, OH (US)

(**) Term: **15 Years**

(21) Appl. No.: **29/548,043**

(22) Filed: **Dec. 10, 2015**

Related U.S. Application Data

(62) Division of application No. 29/486,416, filed on Mar. 28, 2014, now Pat. No. Des. 747,973.

(51) **LOC (10) Cl.** **09-01**

(52) **U.S. Cl.**

USPC **D9/686;** D9/682; D9/526; D9/723

(58) **Field of Classification Search**

USPC D9/434-436, 443, 444, 447-449, 455,
D9/516, 517, 526, 527, 540-543, 604,
D9/682-694, 715, 718, 719, 723; D7/589,
D7/590, 665; D8/2; D6/542; D4/114
CPC B65D 47/06; B65D 83/28; B65D 83/68;
B65D 11/04; B65D 11/10; B65D 25/42;
B65D 2501/0081

See application file for complete search history.

(56) **References Cited**

U.S. PATENT DOCUMENTS

D170,411 S 9/1953 Ishinger
D170,412 S 9/1953 Ishinger

D170,413 S	9/1953	Ishinger	
D194,715 S *	2/1963	Michel	D9/450
3,204,644 A	9/1965	McDougall-Kaley	
D213,542 S	3/1969	Douglas	
D249,099 S	8/1978	Taylor	
D250,546 S	12/1978	Pick	
D277,072 S *	1/1985	Czech	D9/447
D328,712 S *	8/1992	Butler	D9/526
D333,092 S	2/1993	Moshe	
D374,514 S	10/1996	Merino	
5,607,003 A	3/1997	Gray	
D381,580 S *	7/1997	Kokenge	D9/447

(Continued)

FOREIGN PATENT DOCUMENTS

WO WO2012059405 A1 5/2012

Primary Examiner — Ian Simmons

Assistant Examiner — Keith Frank

(74) *Attorney, Agent, or Firm* — James T. Fondriest

(57) **CLAIM**

The ornamental design for a foam dispenser, as shown and described.

DESCRIPTION

FIG. 1 is a front perspective view of a foam dispenser showing our new design;

FIG. 2 is a rear elevational view thereof;

FIG. 3 is a front elevational view thereof;

FIG. 4 is a bottom plan view thereof;

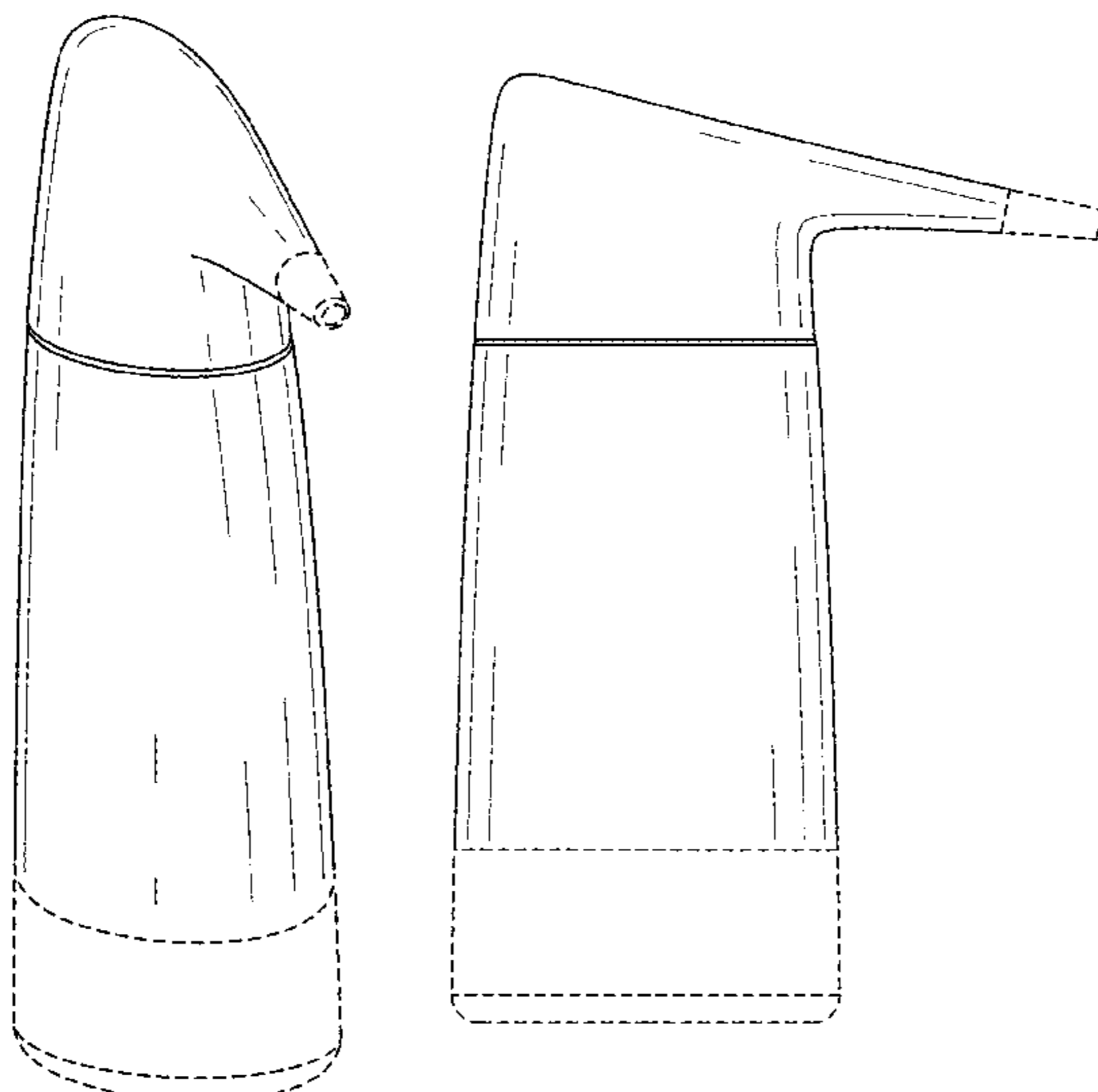
FIG. 5 is a top plan view thereof;

FIG. 6 is a left side elevational view thereof; and,

FIG. 7 is a right side elevational view thereof.

In the drawings, the broken lines depict unclaimed portions of the foam dispenser and form no part of the claimed design. The broken lines directly adjacent to the shaded surfaces represents the boundaries of the claimed design.

1 Claim, 3 Drawing Sheets



(56)

References Cited

U.S. PATENT DOCUMENTS

D399,601 S * 10/1998 Desnos D28/7
 6,688,500 B1 2/2004 Cheng
 7,191,920 B2 * 3/2007 Boll B05B 11/3057
 222/285
 D597,417 S 8/2009 Whittaker
 D612,736 S 3/2010 Pecora
 D659,452 S * 5/2012 Yang D6/542
 D662,832 S 7/2012 Dombrowski
 D671,412 S * 11/2012 Thurin D9/526
 D675,939 S 2/2013 Van Gogh
 D678,071 S * 3/2013 Handy D9/435
 8,388,696 B2 3/2013 Fujinuma
 D681,876 S * 5/2013 Murdock D28/7
 D682,589 S * 5/2013 Cheng D6/542
 8,622,252 B2 1/2014 Kerr
 8,632,611 B2 1/2014 Agostino
 D699,533 S * 2/2014 Best D8/45
 D704,069 S * 5/2014 Handy D9/685
 D717,173 S 11/2014 Wechsler
 D718,147 S 11/2014 Still
 D718,629 S * 12/2014 Still D9/500
 D720,236 S 12/2014 Doyle

8,991,660 B2 * 3/2015 Hair B65D 1/32
 222/211
 D736,069 S * 8/2015 Gilbert D8/363
 D755,059 S * 5/2016 Prada D9/685
 D755,361 S * 5/2016 Osborn D23/366
 2004/0026535 A1 2/2004 Conway
 2004/0161447 A1 8/2004 Paul
 2004/0213752 A1 10/2004 Fujinuma
 2007/0029344 A1 2/2007 Schymitzek
 2007/0137669 A1 6/2007 Hamilton
 2009/0314807 A1 12/2009 Stoloski
 2010/0251488 A1 * 10/2010 Fujinuma A61K 8/046
 8/405
 2010/0313905 A1 * 12/2010 Fujinuma A61K 8/046
 132/208
 2011/0284587 A1 * 11/2011 Galazka B05B 7/0037
 424/70.1
 2013/0277397 A1 * 10/2013 Erickson B65D 83/22
 222/153.11
 2013/0284195 A1 10/2013 Murdock
 2013/0284196 A1 * 10/2013 Murdock A45D 19/02
 132/200
 2014/0110438 A1 4/2014 Madison
 2014/0216495 A1 8/2014 Bureiko

* cited by examiner

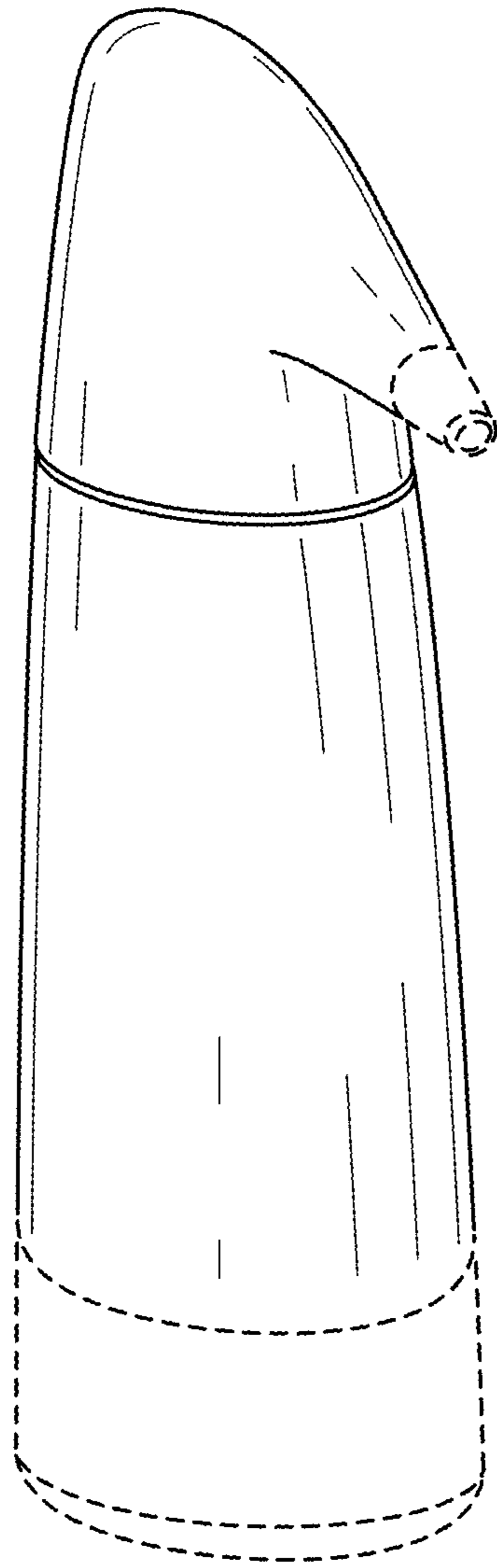


Fig. 1

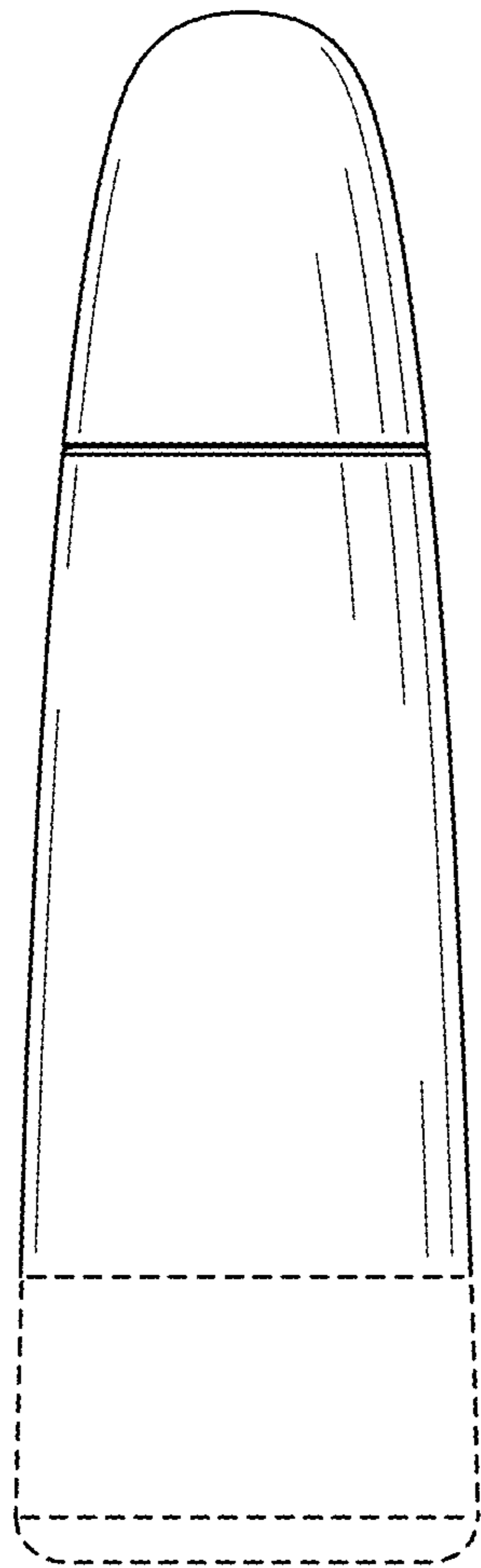


Fig. 2

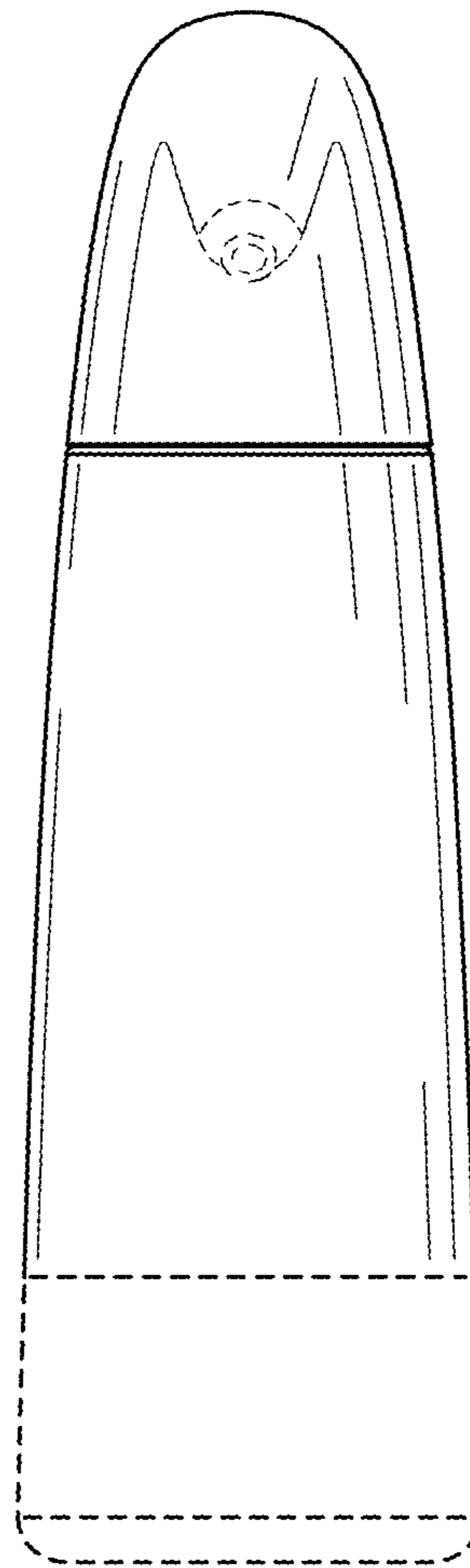


Fig. 3

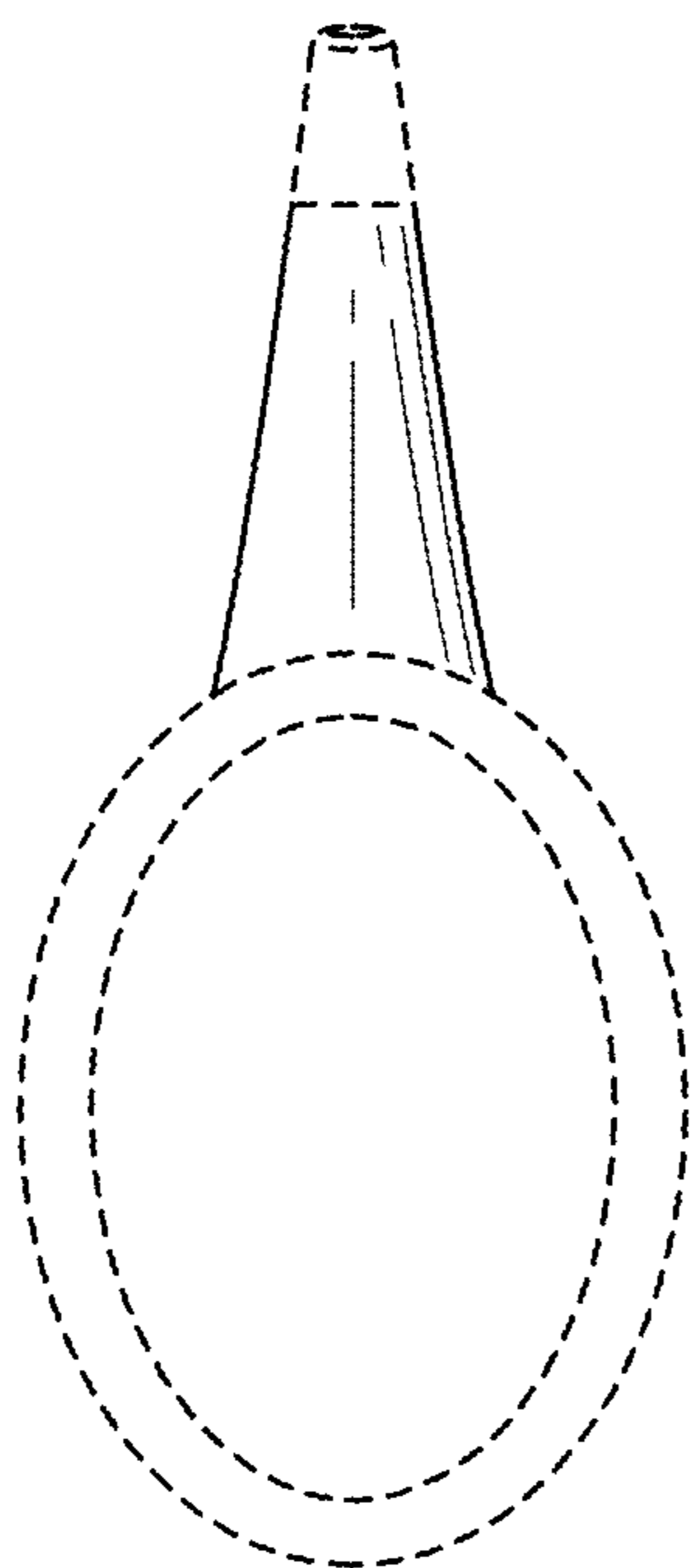


Fig. 4

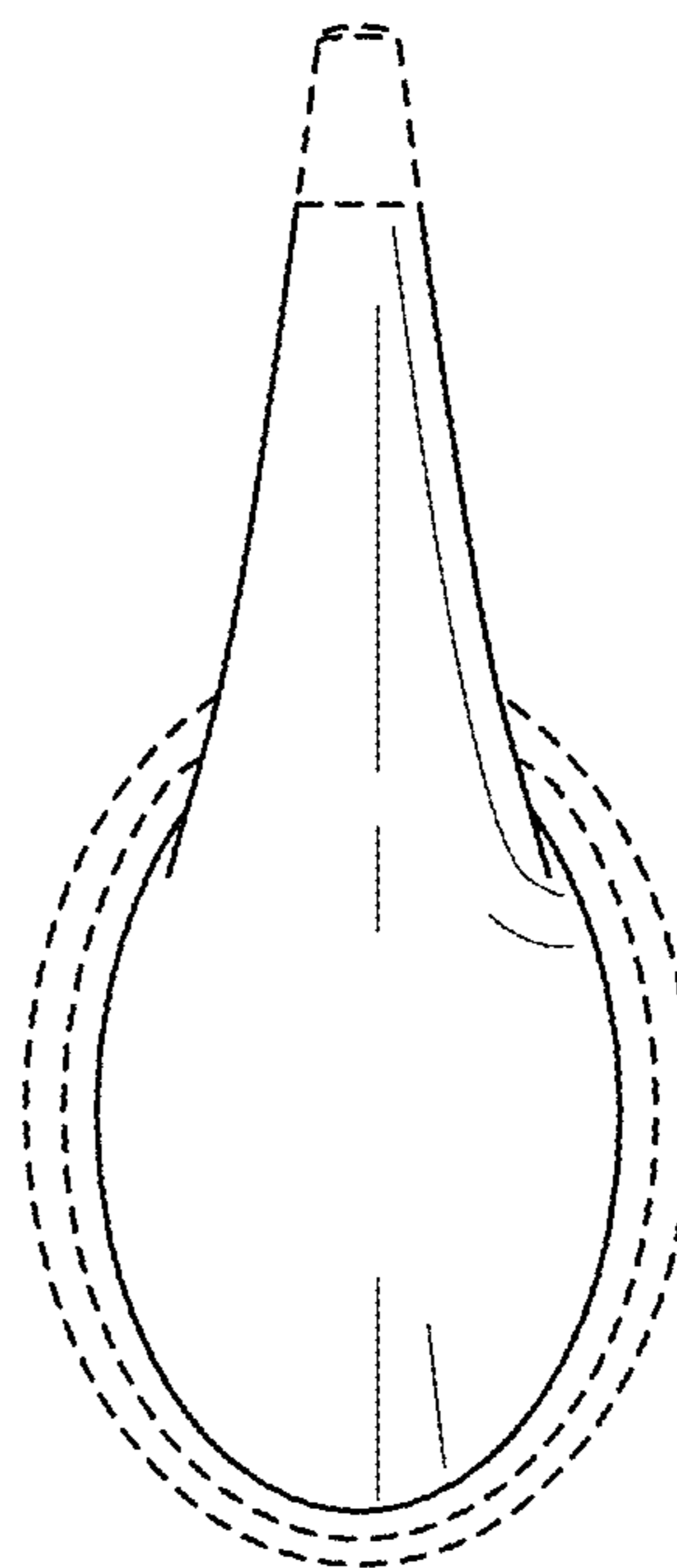


Fig. 5

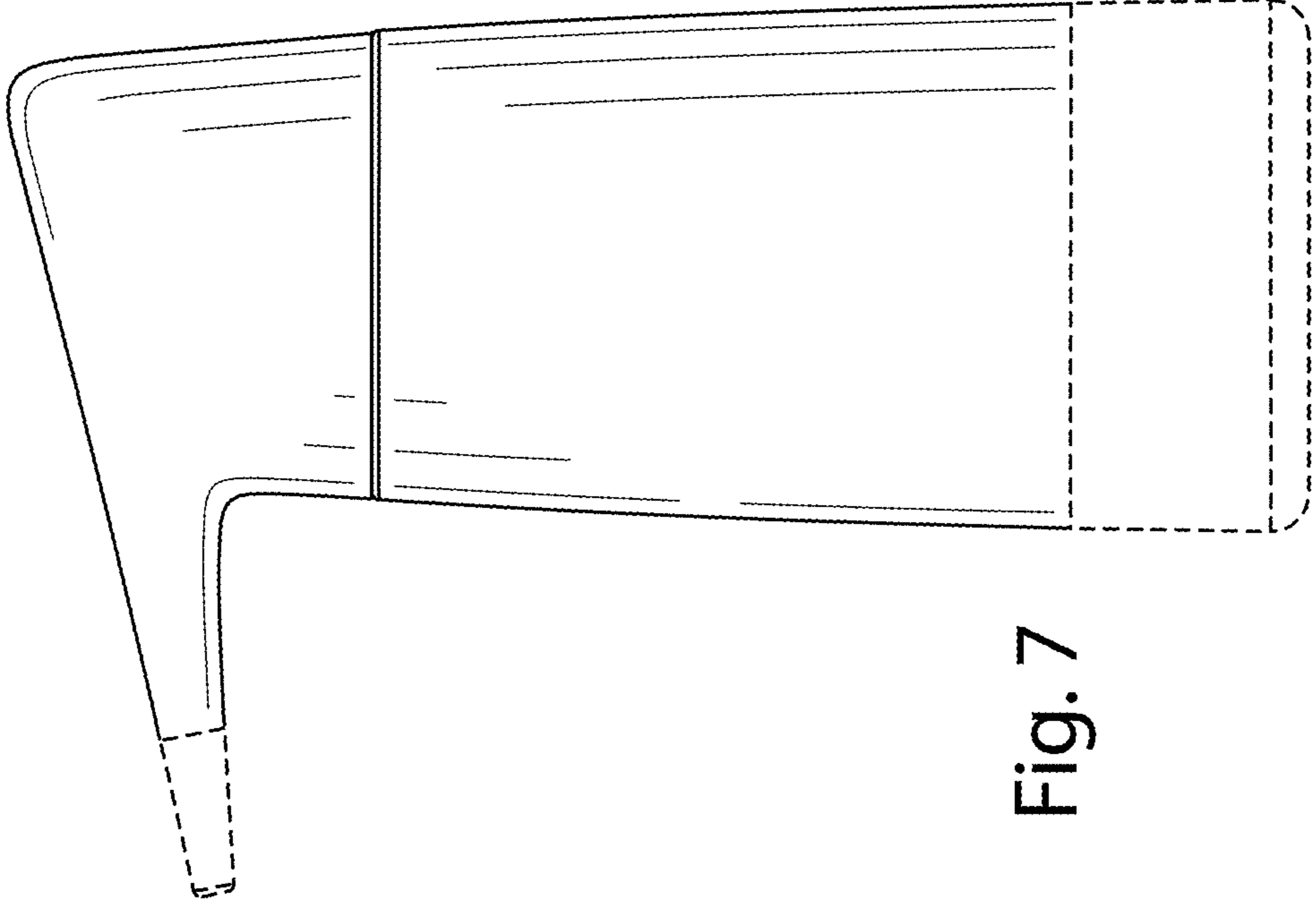


Fig. 7

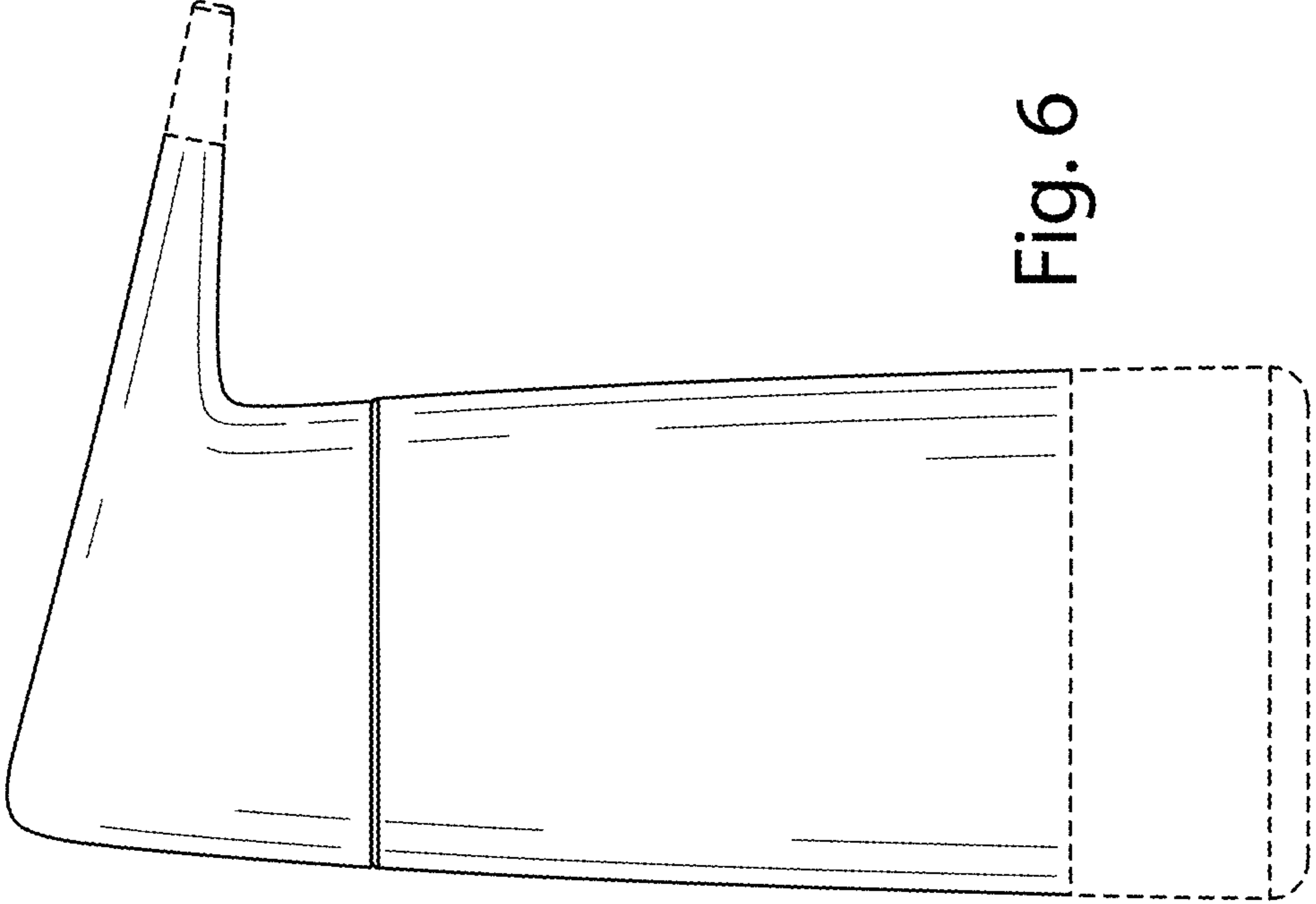


Fig. 6

UNITED STATES PATENT AND TRADEMARK OFFICE
CERTIFICATE OF CORRECTION

PATENT NO. : D768,503 S
APPLICATION NO. : 29/548043
DATED : October 11, 2016
INVENTOR(S) : Kerr et al.

Page 1 of 1

It is certified that error appears in the above-identified patent and that said Letters Patent is hereby corrected as shown below:

On the Title Page

In item (62), in "Related U.S. Application Data", in Column 1, Line 2, delete "Des. 747,973." and insert --D747,973.--, therefor

Signed and Sealed this
Second Day of January, 2018



Joseph Matal
*Performing the Functions and Duties of the
Under Secretary of Commerce for Intellectual Property and
Director of the United States Patent and Trademark Office*