



US00D768497S

(12) **United States Design Patent**  
**Schneider**

(10) **Patent No.:** **US D768,497 S**  
(45) **Date of Patent:** **\*\* Oct. 11, 2016**

(54) **CONTAINER**

FOREIGN PATENT DOCUMENTS

(71) Applicant: **Sanner GmbH**, Bensheim (DE)

EM 001268304-0004 \* 4/2011

(72) Inventor: **Matthias Schneider**, Heidesheim (DE)

OTHER PUBLICATIONS

(73) Assignee: **Sanner GmbH**, Bensheim (DE)

<http://www.packagingeurope.com/Packaging-Europe-News/41358/Safe-all-round-New-Sanner-desiccant-capsules.html> Posted Aug. 6, 2011.\*

(\*\*) Term: **14 Years**

[http://www.manufacturingchemist.com/news/article\\_page/Berlin\\_Packaging\\_to\\_sell\\_Sanner\\_desiccant\\_product\\_in\\_US/80610](http://www.manufacturingchemist.com/news/article_page/Berlin_Packaging_to_sell_Sanner_desiccant_product_in_US/80610) Posted Aug. 31, 2012.\*

(21) Appl. No.: **29/464,176**

<http://berlinpackaging.com/en/news/berlin-packaging-sanner-usa-partner-to-sell-new-sanner-360-degree-desiccant-capsule-in-us> Posted Jul. 17, 2012.\*

(22) Filed: **Aug. 14, 2013**

(30) **Foreign Application Priority Data**

\* cited by examiner

Feb. 26, 2013 (EM) ..... 1362198-0001-0002

(51) **LOC (10) Cl.** ..... **09-01**

*Primary Examiner* — Susan Bennett Hattan

(52) **U.S. Cl.**

*Assistant Examiner* — Leanne Was

USPC ..... **D9/554**

(74) *Attorney, Agent, or Firm* — Paul Vincent

(58) **Field of Classification Search**

(57) **CLAIM**

USPC ..... D7/509, 538, 560, 561, 601, 602,  
D7/619.1; D9/414, 424, 427, 428, 504,  
D9/516, 517, 518, 519, 549, 554, 555, 567,  
D9/568, 738, 751, 759, 763, 767, 772, 773,  
D9/780; 53/420; 96/117.5, 118; 206/18;  
215/379, 381-384; 220/87.1, 506, 574,  
220/575, 660, 662, 665, 669-673, 675, 677

The ornamental design for a container, as shown and described.

See application file for complete search history.

**DESCRIPTION**

(56) **References Cited**

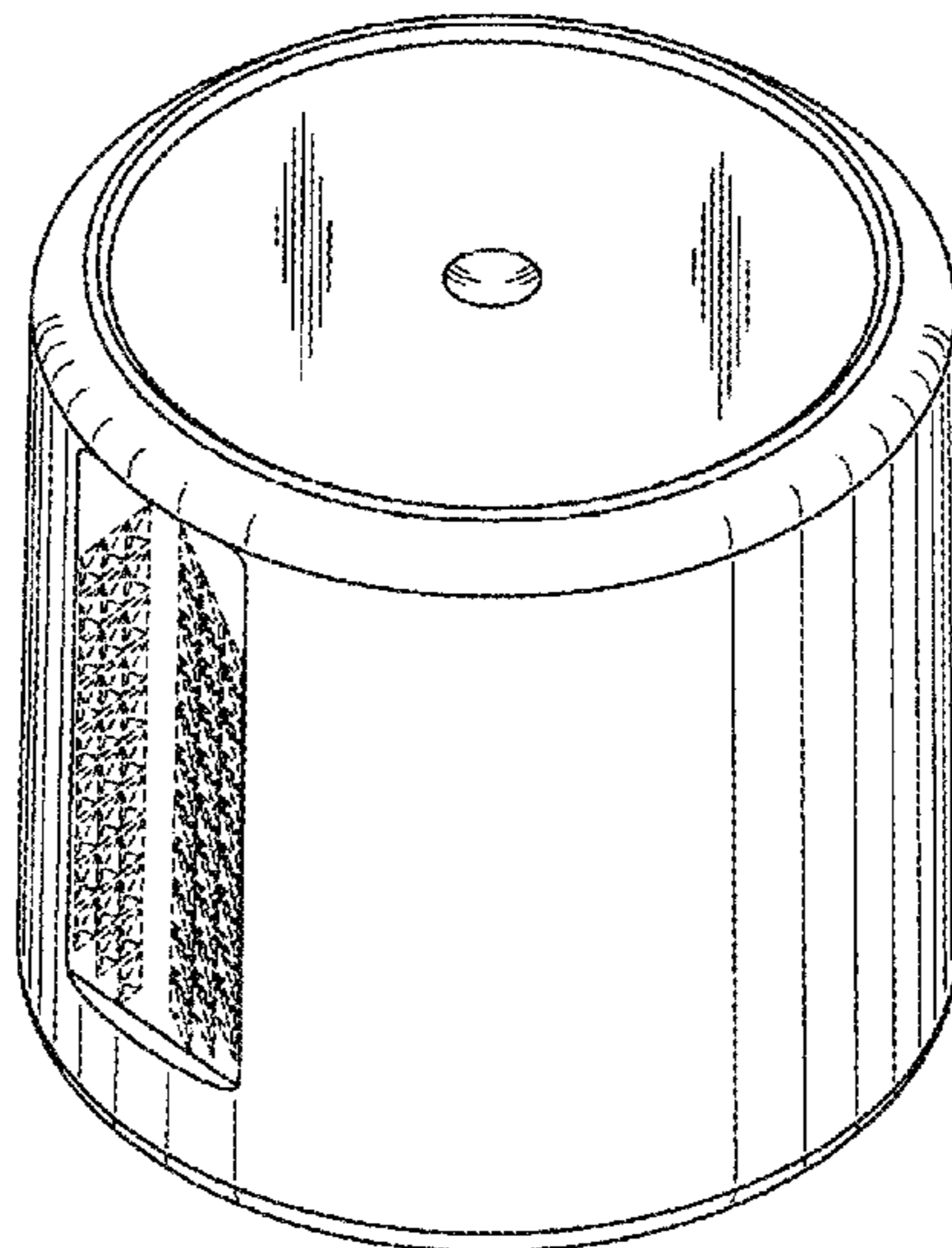
FIG. 1 shows an upper perspective view of an embodiment of a container in accordance with the invention;  
FIG. 2 shows a lower perspective view of the container in accordance with the invention;  
FIG. 3 shows a front and rear view of the container in accordance with the invention;  
FIG. 4 shows a right and left side view of the container in accordance with the invention;  
FIG. 5 shows a top view of the container in accordance with the invention; and,  
FIG. 6 shows a bottom view of the container in accordance with the invention.

U.S. PATENT DOCUMENTS

3,722,188 A \* 3/1973 Cullen ..... 96/14  
D321,318 S \* 11/1991 Gunter ..... D9/780  
D440,676 S \* 4/2001 Petruzzi ..... D26/38  
D622,554 S \* 8/2010 Carreno ..... D7/629  
D629,657 S \* 12/2010 Carreno ..... D7/629  
D660,084 S \* 5/2012 Gilbert ..... D7/538  
D697,802 S \* 1/2014 Lane ..... D9/500  
2012/0154151 A1 \* 6/2012 Kuhn et al. .... 340/572.1

The broken lines depict portions of the container that form no part of the claimed design.

**1 Claim, 6 Drawing Sheets**



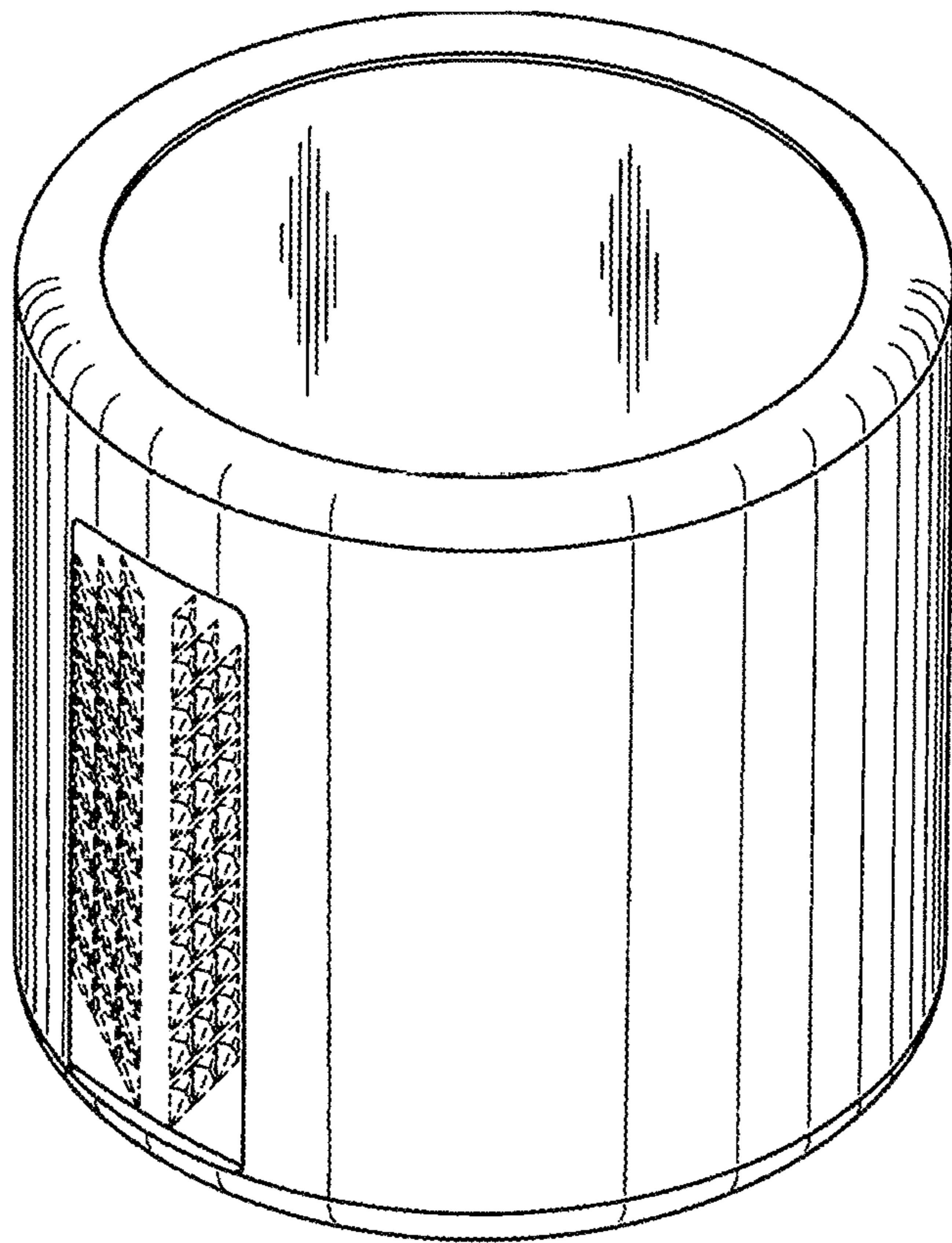


Fig. 1

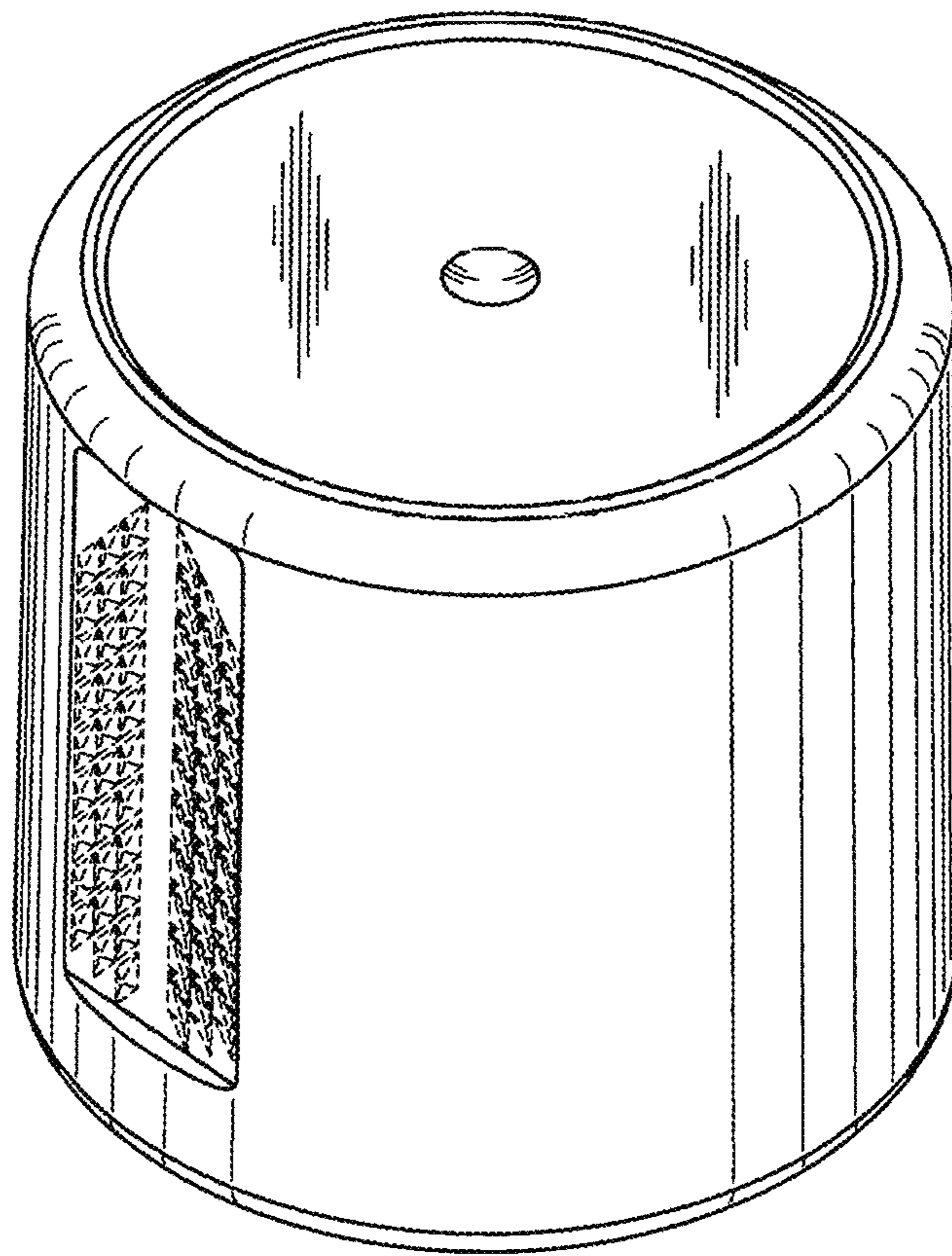


Fig. 2

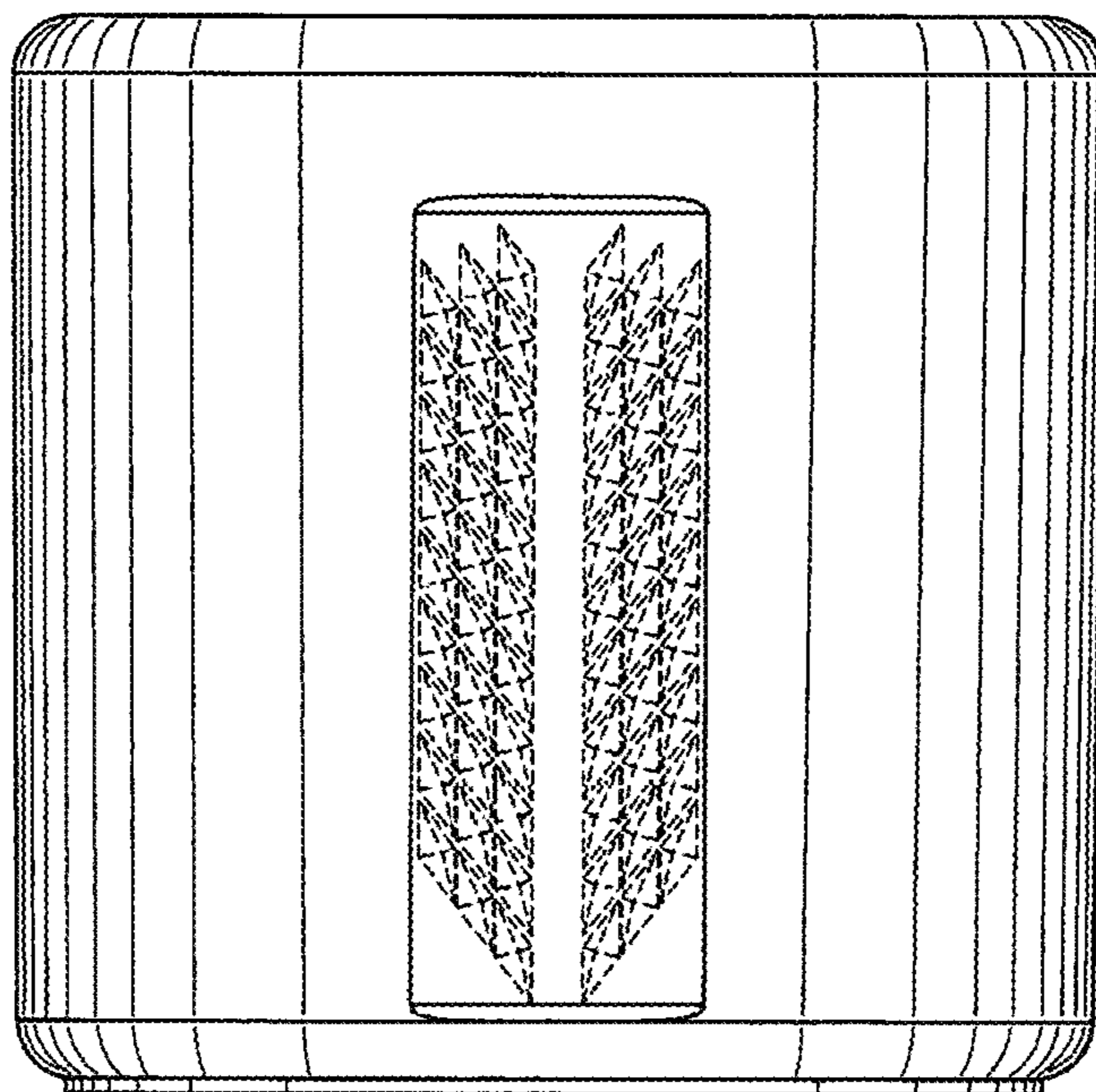


Fig. 3

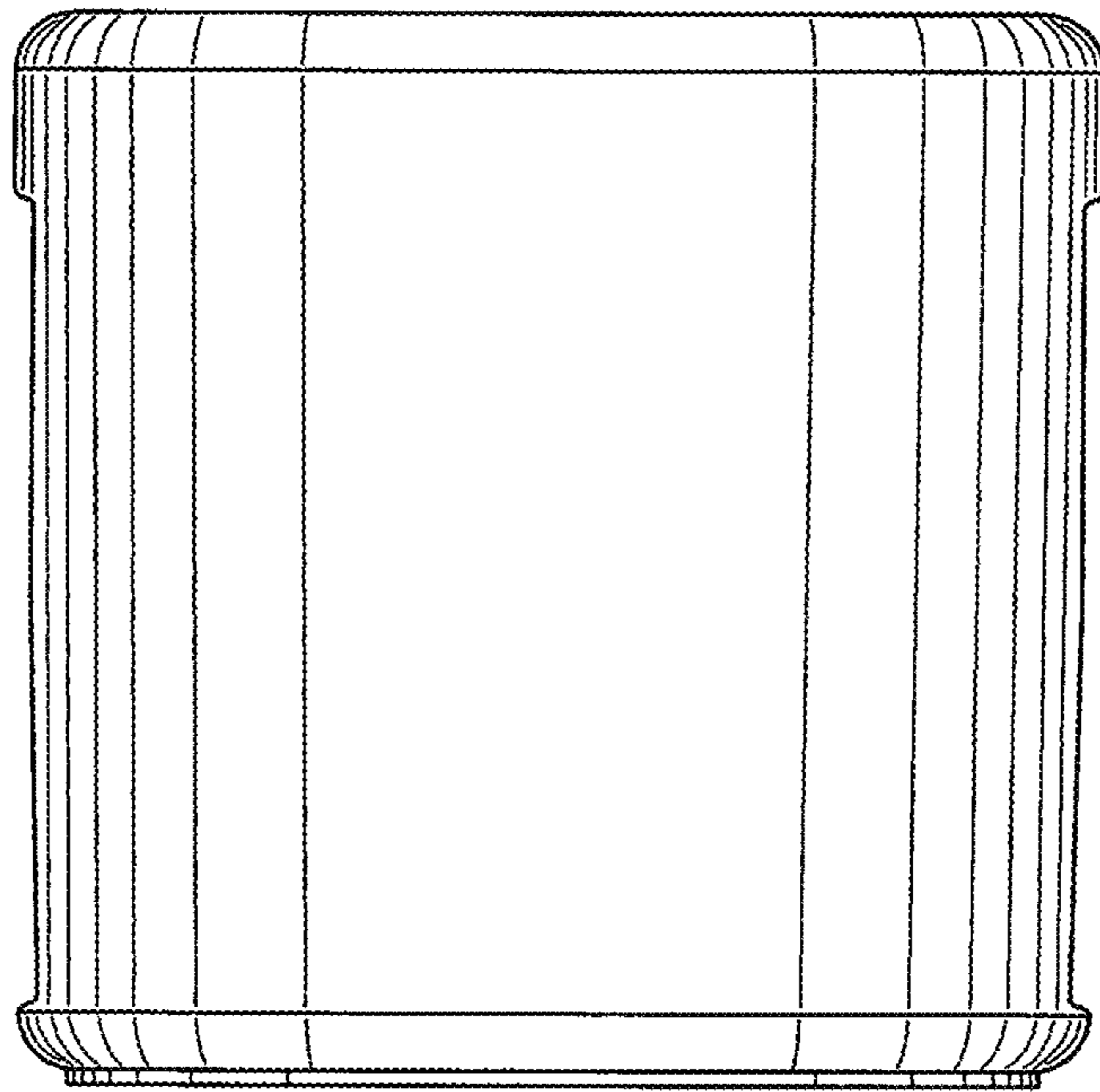


Fig. 4

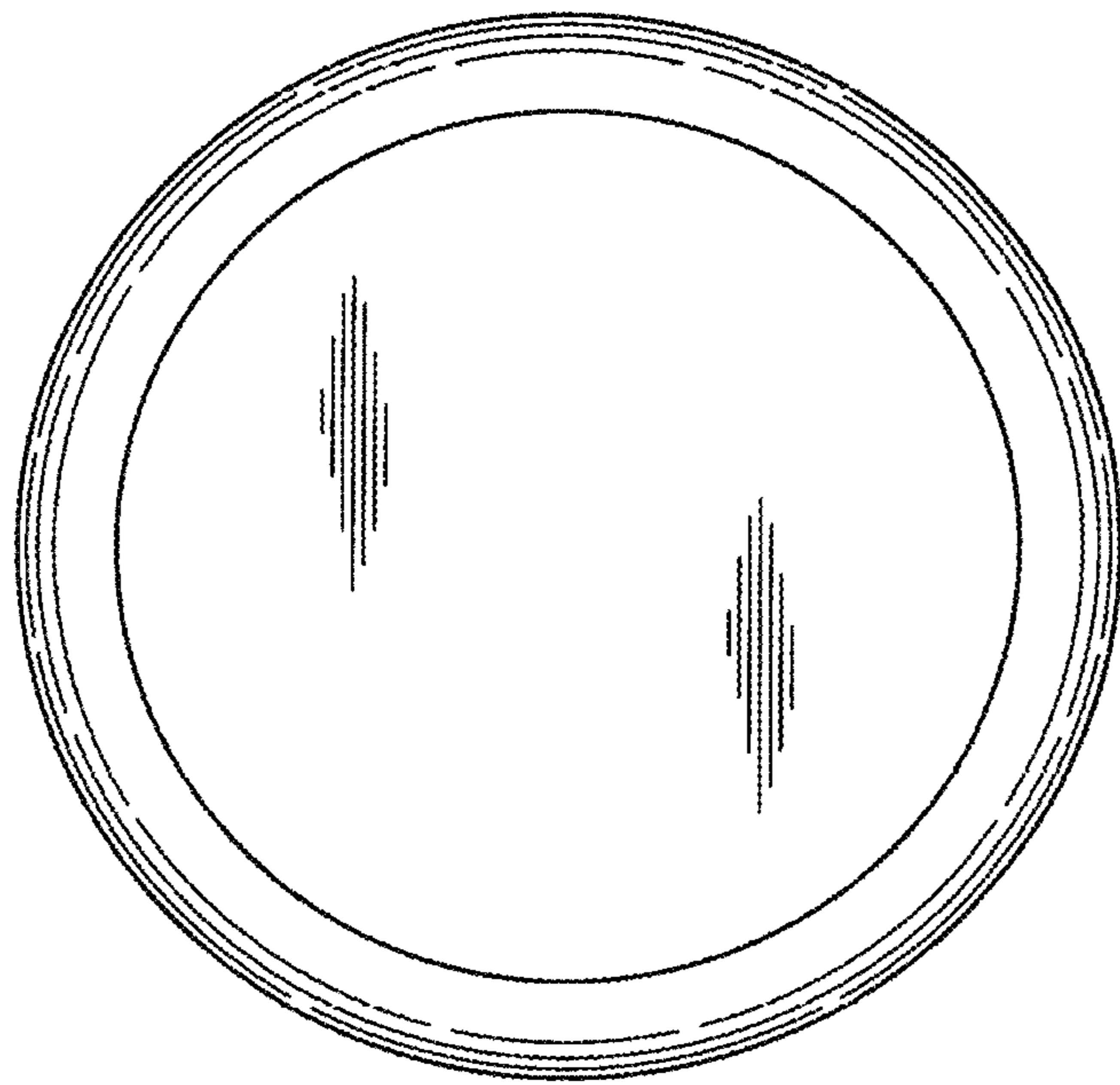


Fig. 5

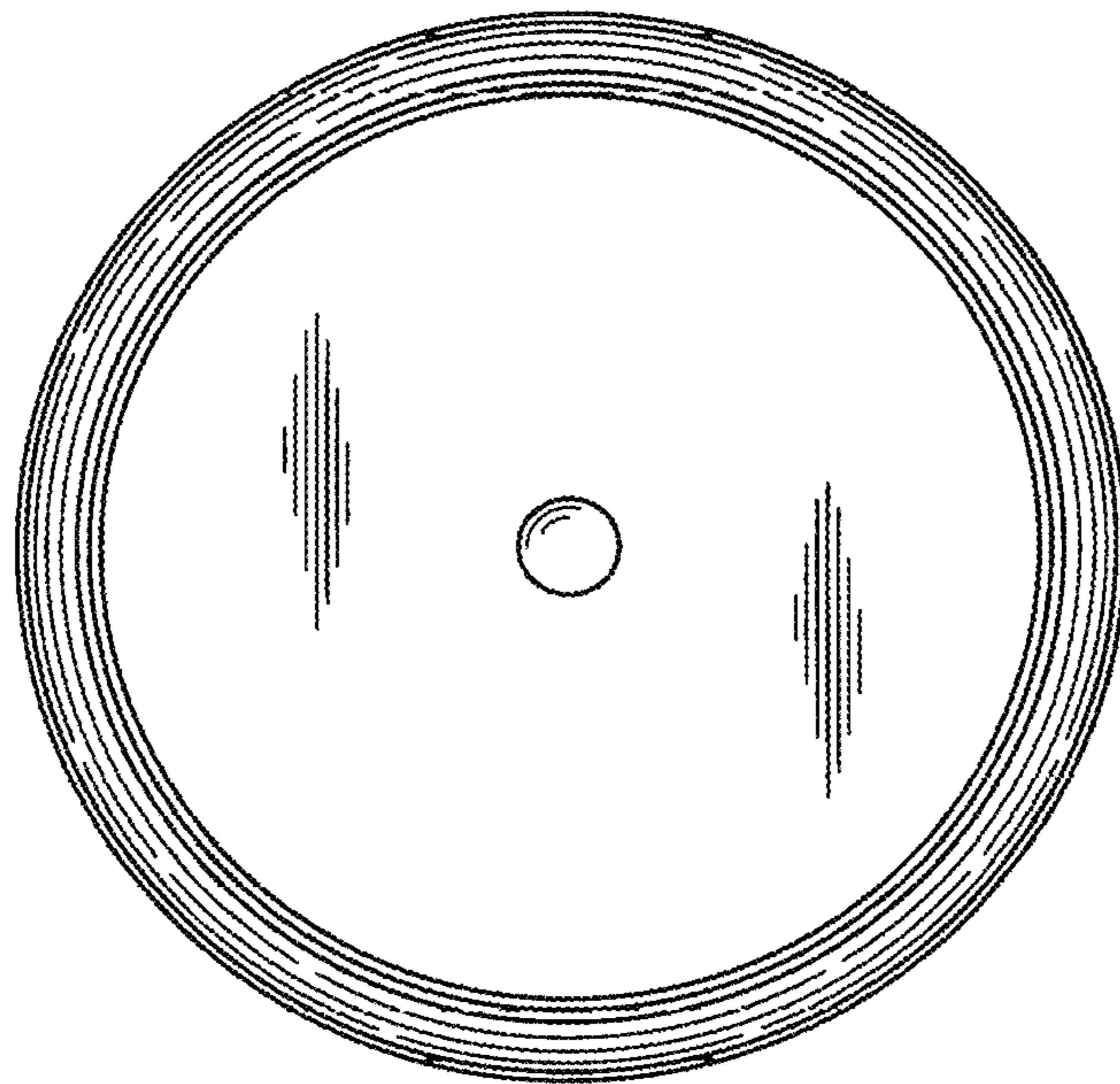


Fig. 6