



US00D768495S

(12) **United States Design Patent**
Staab

(10) **Patent No.:** **US D768,495 S**

(45) **Date of Patent:** **** Oct. 11, 2016**

- (54) **BOTTLE**
- (71) Applicant: **MARY KAY INC.**, Addison, TX (US)
- (72) Inventor: **Jenny DeMarco Staab**, Frisco, TX (US)
- (73) Assignee: **Mary Kay Inc.**, Addison, TX (US)
- (**) Term: **14 Years**
- (21) Appl. No.: **29/512,953**
- (22) Filed: **Dec. 23, 2014**

D212,525 S	10/1968	Kneapler	D9/500
D258,201 S	2/1981	Cassini	D9/669
D263,281 S	3/1982	Smith	D9/529
D263,564 S	3/1982	Smith et al.	D9/544
D268,009 S	2/1983	Hirsh	D9/504
D268,988 S	5/1983	Hirsh	D9/504
D270,238 S	8/1983	Vilval	D9/504
D271,082 S	10/1983	Jackson	D9/651
D277,455 S	2/1985	Tordjman	D9/546
D277,456 S	2/1985	Kanoui	D9/529
D278,032 S	3/1985	De Mourgues	D9/561
D280,294 S	8/1985	Resnick	D9/629
D283,981 S	5/1986	Culbreath	D9/529
D284,942 S	8/1986	Dinand	D9/542
D284,980 S	8/1986	Yoshida	D19/41
D285,053 S	8/1986	Marchetti	D9/544
D286,018 S	10/1986	O'Reilly	D9/661

(Continued)

Related U.S. Application Data

- (62) Division of application No. 29/426,340, filed on Jul. 3, 2012, now Pat. No. Des. 722,880.
- (51) **LOC (10) Cl.** **09-01**
- (52) **U.S. Cl.**
USPC **D9/529; D9/558; D9/559; D9/519;**
D9/452; D9/454
- (58) **Field of Classification Search**
USPC **D9/500-505, 516, 519, 529-530,**
D9/537-539, 541-542, 549, 556, 558,
D9/559-560, 574-575, 444-445,
D9/452-454; 215/381-384
See application file for complete search history.

Primary Examiner — Carol P Rademaker

(74) *Attorney, Agent, or Firm* — Norton Rose Fulbright US LLP

(57) **CLAIM**

The ornamental design for a bottle, as shown and described.

DESCRIPTION

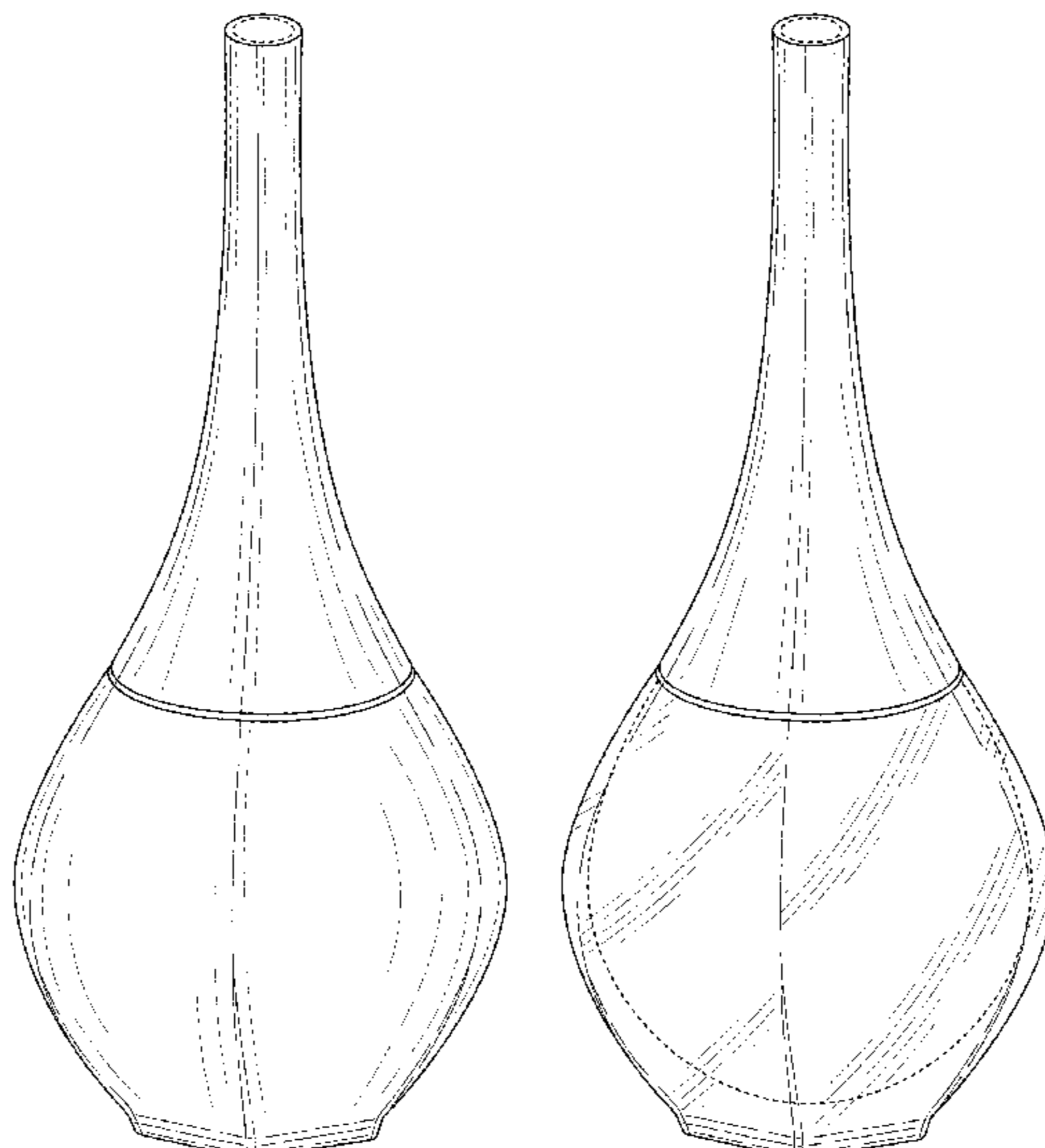
FIG. 1 is a top, rear and right side perspective view of a first embodiment of a bottle;
 FIG. 2 is a front elevational view thereof;
 FIG. 3 is a left side elevational view thereof;
 FIG. 4 is top plan view thereof;
 FIG. 5 is a bottom plan view thereof;
 FIG. 6 is a top, rear and right side perspective view of a second embodiment of the bottle;
 FIG. 7 is a front elevational view thereof;
 FIG. 8 is a left side elevational view thereof;
 FIG. 9 is top plan view thereof; and,
 FIG. 10 is a bottom plan view thereof.
 The broken lines shown in the drawing views are included for the purpose of illustrating portions of the design that form no part of the claimed design.

(56) **References Cited**

U.S. PATENT DOCUMENTS

D33,631 S	12/1900	Klumpp et al.	D9/505
D52,952 S *	2/1919	Green	D9/556
D66,395 S	1/1925	Andrew	D9/538
D87,167 S *	6/1932	Noble	D9/559
D89,141 S *	1/1933	Wilson	D9/559
D97,600 S *	11/1935	Fuerst	D9/545
D111,229 S *	9/1938	Spence	D7/531
D183,939 S	11/1958	Loewy	D9/545
D187,960 S *	5/1960	Mariana	D9/546
D196,985 S	11/1963	Schnering	D9/644

1 Claim, 6 Drawing Sheets



(56)

References Cited

U.S. PATENT DOCUMENTS

D286,022 S	10/1986	O'Reilly	D9/544	D406,241 S	3/1999	Dinand	D9/523
D286,858 S	11/1986	Giorgio	D9/519	D407,319 S	3/1999	Maddy	D9/544
D286,982 S	12/1986	Durand	D9/529	D407,651 S	4/1999	Perrin	D9/572
D286,983 S	12/1986	Durand	D9/545	D411,458 S	6/1999	De Baschmakoff	D9/544
D286,985 S	12/1986	Durand	D9/542	D412,276 S	7/1999	Arslanian	D9/661
D289,142 S	4/1987	Bijaoui	D9/546	D412,283 S	7/1999	De Baschmakoff	D9/544
D290,230 S	6/1987	Durand	D9/544	D412,667 S	8/1999	Nosella	D9/548
D290,231 S	6/1987	Durand	D9/544	D412,851 S	8/1999	Nosella	D9/548
D290,443 S	6/1987	Durand	D9/545	D414,424 S	9/1999	Degliame	D9/542
D293,492 S	12/1987	Kemmerer	D28/76	D415,032 S	10/1999	Gaskey	D9/522
D293,944 S	1/1988	Trabattoni	D28/76	D415,036 S	10/1999	Mansau	D9/546
D294,403 S	2/1988	Trabattoni	D28/5	D421,912 S	3/2000	Nosella	D9/560
D295,608 S	5/1988	Tonduti	D9/629	D421,914 S	3/2000	Boucheron	D9/569
D302,386 S	7/1989	Sala	D9/529	D422,507 S	4/2000	Luzzi et al.	D9/544
D302,660 S	8/1989	Durand	D9/574	D422,899 S	4/2000	Kudo	D9/687
D305,404 S	1/1990	Perrin	D9/651	D423,937 S	5/2000	Dinand	D9/523
D306,401 S	3/1990	Durand	D9/544	D425,785 S	5/2000	Hirato et al.	D9/689
D306,560 S	3/1990	Durand	D9/562	D427,516 S	7/2000	Legros	D9/632
D306,694 S	3/1990	Beier-Rosetti	D9/529	D438,097 S	2/2001	Krunas	D9/694
D308,581 S	6/1990	Macchi	D28/5	D455,343 S	4/2002	Gatti	D9/663
D310,626 S	9/1990	Dinand	D9/638	D472,469 S	4/2003	Versace	D9/503
D313,748 S	1/1991	Dinand	D9/574	D473,467 S	4/2003	Lecoule	D9/516
D314,332 S	2/1991	Sgariboldi	D9/544	D477,535 S	7/2003	Thorpe	D9/558
D315,097 S	3/1991	Sgariboldi	D9/567	D487,020 S	2/2004	Blank et al.	D9/574
D315,300 S	3/1991	Dinand	D9/574	D496,286 S	9/2004	Krunas	D9/572
D315,498 S *	3/1991	Rudloff	D9/546	D500,448 S	1/2005	Krunas	D9/572
D315,499 S	3/1991	Durand	D9/574	D519,845 S	5/2006	Ortiz	D9/556
D316,223 S	4/1991	Dinand	D9/548	D520,374 S	5/2006	Herrmann et al.	D9/561
D317,258 S	6/1991	Dinand	D9/545	D520,879 S	5/2006	Antretter	D9/683
D318,797 S	8/1991	Cohen	D9/663	D526,567 S	8/2006	Dalton	D9/544
D319,014 S	8/1991	Di Nuccio	D9/574	D531,912 S	11/2006	Antretter	D9/546
D319,184 S	8/1991	Monod	D9/523	D534,806 S	1/2007	Antretter	D9/546
D319,971 S	9/1991	Rhodes	D9/505	D536,434 S	2/2007	DongSheng	D23/366
D323,459 S	1/1992	Cassini	D9/670	D538,675 S	3/2007	Dalton	D9/573
D324,336 S	3/1992	Desgrippes	D9/545	D540,173 S	4/2007	Obuchi	D9/521
D325,166 S	4/1992	Versace	D9/544	D545,208 S	6/2007	Modjeski	D9/546
D325,346 S	4/1992	Aliano et al.	D9/544	D546,690 S	7/2007	Rashid	D9/522
D325,525 S	4/1992	Aliano et al.	D9/544	D548,084 S	8/2007	Dittmer et al.	D9/504
D325,698 S	4/1992	Cavazza	D9/544	D549,582 S	8/2007	Lloyd et al.	D9/529
D329,383 S	9/1992	Boucheron	D9/529	D549,587 S	8/2007	Lestelle	D9/560
D329,596 S	9/1992	Dinand	D9/544	D558,050 S	12/2007	Urcun	D9/529
D330,783 S	11/1992	Dinand et al.	D28/91.1	D558,057 S	12/2007	De Baschmakoff	D9/561
D331,366 S	12/1992	Cassini	D9/670	D562,145 S	2/2008	Mendelson	D9/560
D332,053 S	12/1992	Sabbia	D9/549	D563,790 S	3/2008	Fridman	D9/522
D335,453 S	5/1993	Marti	D9/516	D566,573 S	4/2008	Lestelle	D9/560
D337,272 S	7/1993	Joo	D9/529	D567,666 S	4/2008	Hessmer	D9/686
D338,157 S	8/1993	Desgrippes	D9/663	D568,163 S	5/2008	Melrose	D9/538
D338,833 S	8/1993	Dinand	D9/516	D570,690 S	6/2008	McGuinness	D9/519
D340,191 S	10/1993	Boussiquet	D9/546	D572,145 S *	7/2008	Knapp	D9/556 X
D341,321 S	11/1993	De Silva	D9/519	D575,643 S	8/2008	Florio	D9/529
D341,773 S	11/1993	Dinand	D9/693	D585,625 S *	1/2009	Gray	D99/5
D348,333 S	6/1994	Perrin et al.	D28/91.1	D586,657 S	2/2009	Pritchett, Jr.	D9/559
D354,229 S	1/1995	Desgrippes	D9/503	D586,658 S	2/2009	Pritchett, Jr.	D9/539
D355,124 S	2/1995	Ricci	D9/503	D589,362 S	3/2009	Takounseun	D9/691
D355,602 S	2/1995	Buettner et al.	D9/505	D592,973 S	5/2009	Kim	D9/719
D357,632 S	4/1995	Dinand	D9/545	D596,950 S	7/2009	Nevins et al.	D9/691
D358,332 S	5/1995	Schneider et al.	D9/526	D606,407 S	12/2009	Fadelli	D9/504
D359,688 S	6/1995	Rosen	D9/504	D610,013 S	2/2010	Mendelson	D9/522
D360,823 S	8/1995	Dinand	D9/693	D610,915 S *	3/2010	Conway	D9/689 X
D369,978 S	5/1996	Mohamed	D9/529	D611,836 S	3/2010	Mansau	D9/661
D377,903 S *	2/1997	du Grenier	D9/546 X	D612,740 S	3/2010	Leone	D9/558 X
D378,354 S	3/1997	Varlet	D9/544	7,673,765 B2	3/2010	Pritchett, Jr.	215/382
D378,801 S	4/1997	Blanche	D9/691	D614,970 S *	5/2010	Diss	D9/556
D378,897 S *	4/1997	du Grenier	D9/546 X	D621,268 S	8/2010	Morabito	D9/529
D379,766 S	6/1997	Schneider	D9/542	D622,614 S	8/2010	DeMarco	D9/691
D380,390 S	7/1997	Varlet	D9/558	D623,066 S	9/2010	Mongeon	D9/529
D381,914 S	8/1997	Dinand	D9/545	D626,421 S	11/2010	Szymula	D9/559
D383,068 S	9/1997	Dinand	D9/522	D630,101 S	1/2011	Lloyd	D9/558
D387,989 S	12/1997	Chahed	D9/517	D631,756 S *	2/2011	DeMarco	D9/691
D387,991 S	12/1997	Chahed	D9/519	D632,190 S *	2/2011	Diss	D9/556
D390,783 S	2/1998	Schneider et al.	D9/503	D638,304 S	5/2011	Aebi	D9/652
D391,495 S	3/1998	Dinand	D9/573	D640,137 S	6/2011	Martone	D9/559
D395,240 S	6/1998	Dinand	D9/526	D643,724 S	8/2011	Donnelly et al.	D9/521
D398,243 S	9/1998	Dinand	D9/548	D643,733 S	8/2011	Aebi	D9/544
D405,001 S	2/1999	Calo	D9/559	D644,110 S	8/2011	Jagger	D9/548
				D649,470 S	11/2011	Bakalis	D9/559
				D649,472 S	11/2011	Bakalis	D9/561
				D649,478 S	11/2011	Kim	D9/719
				D694,122 S *	11/2013	Kawai	D9/689

US D768,495 S

Page 3

(56)

References Cited

U.S. PATENT DOCUMENTS

D708,790 S 7/2014 Schlatter D9/529
D712,199 S * 9/2014 Borden D9/440 X
D717,173 S * 11/2014 Wechsler D9/519 X

D717,657 S * 11/2014 Lee D9/529
D722,880 S * 2/2015 DeMarco D9/529
D729,628 S * 5/2015 Gordon D9/574 X
D734,894 S * 7/2015 Schlatter D9/529 X

* cited by examiner

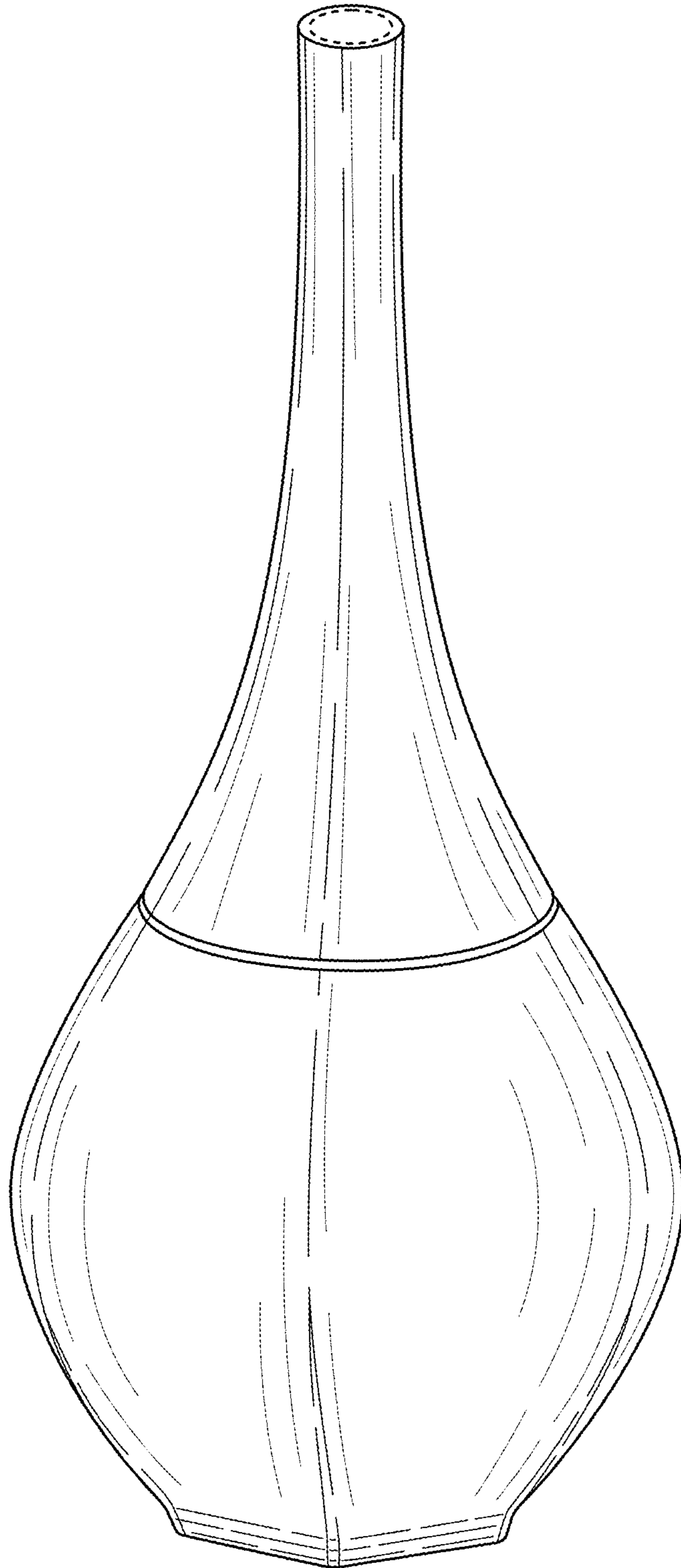


FIG. 1

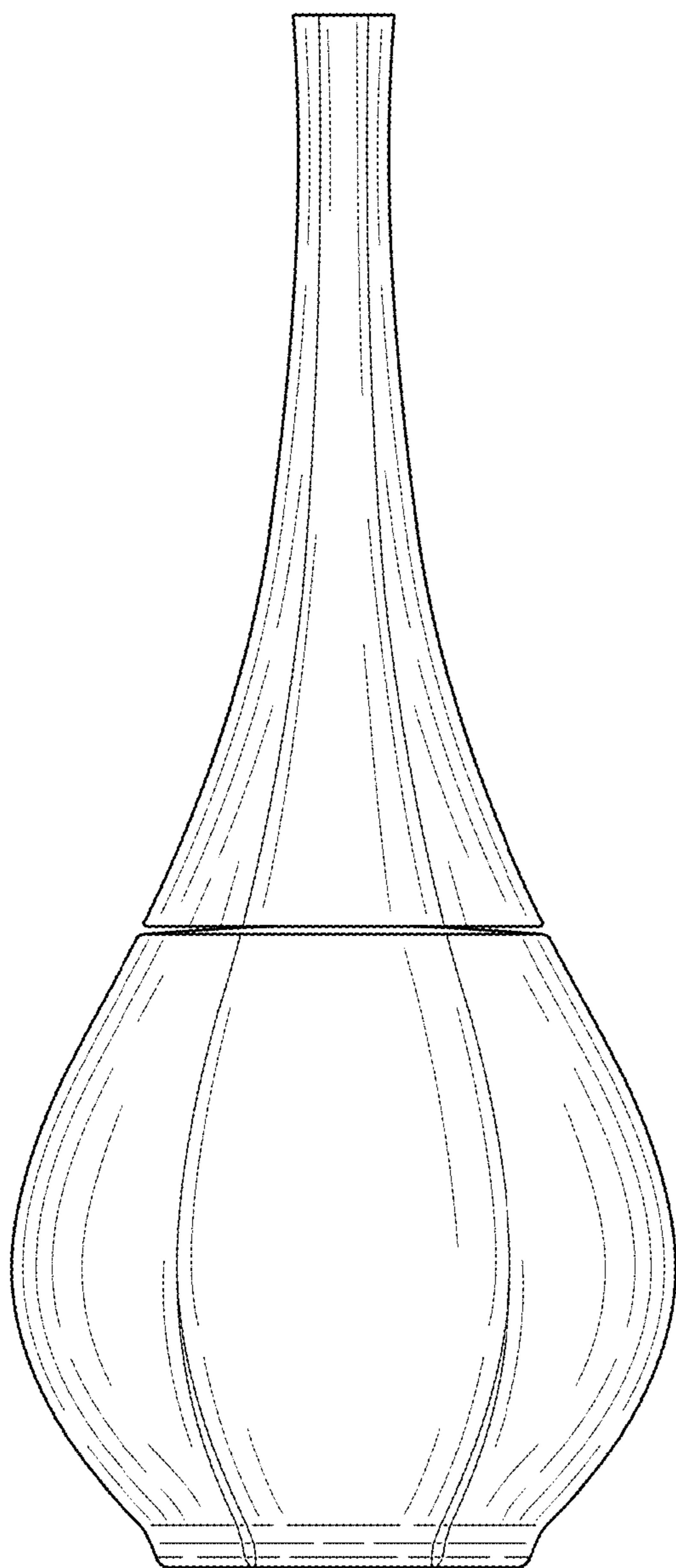


FIG. 2

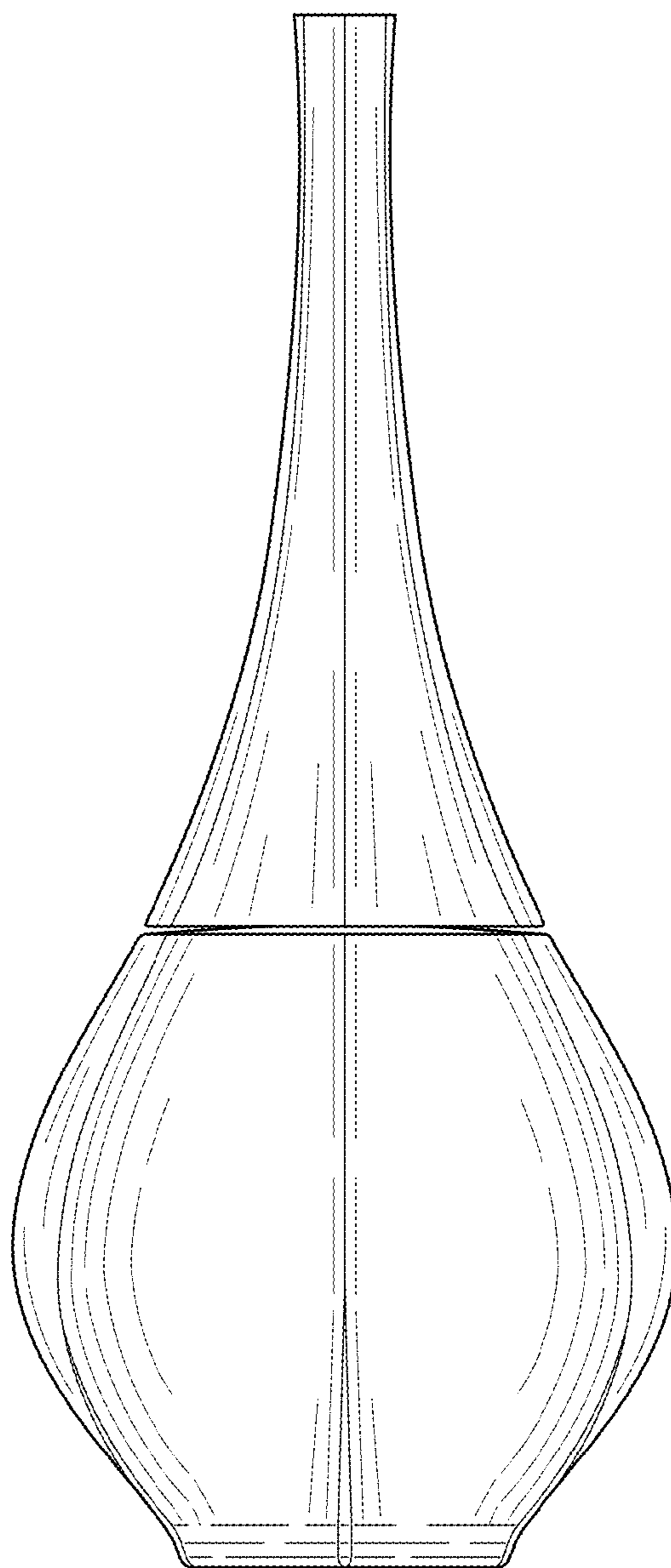


FIG. 3

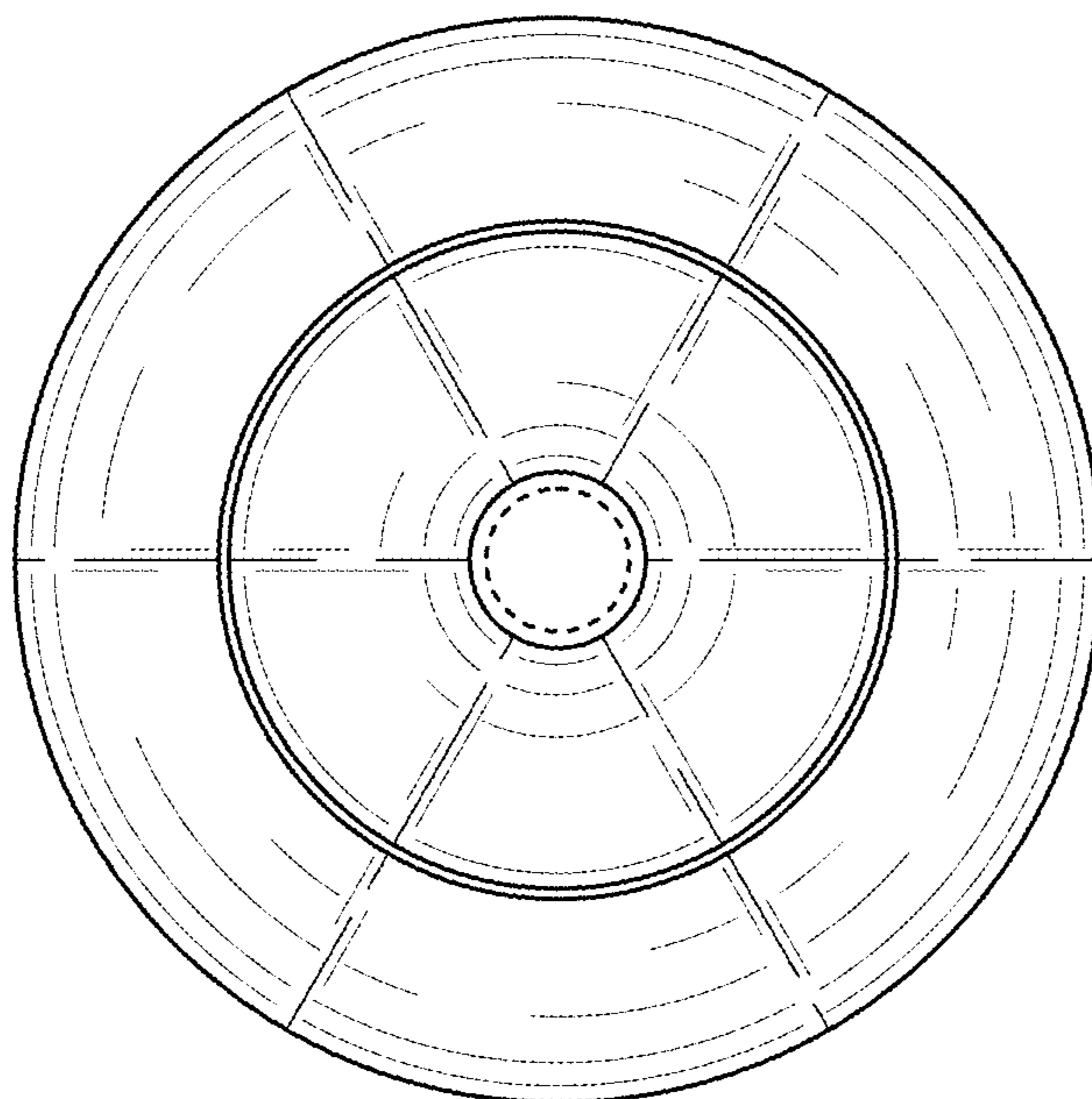


FIG. 4

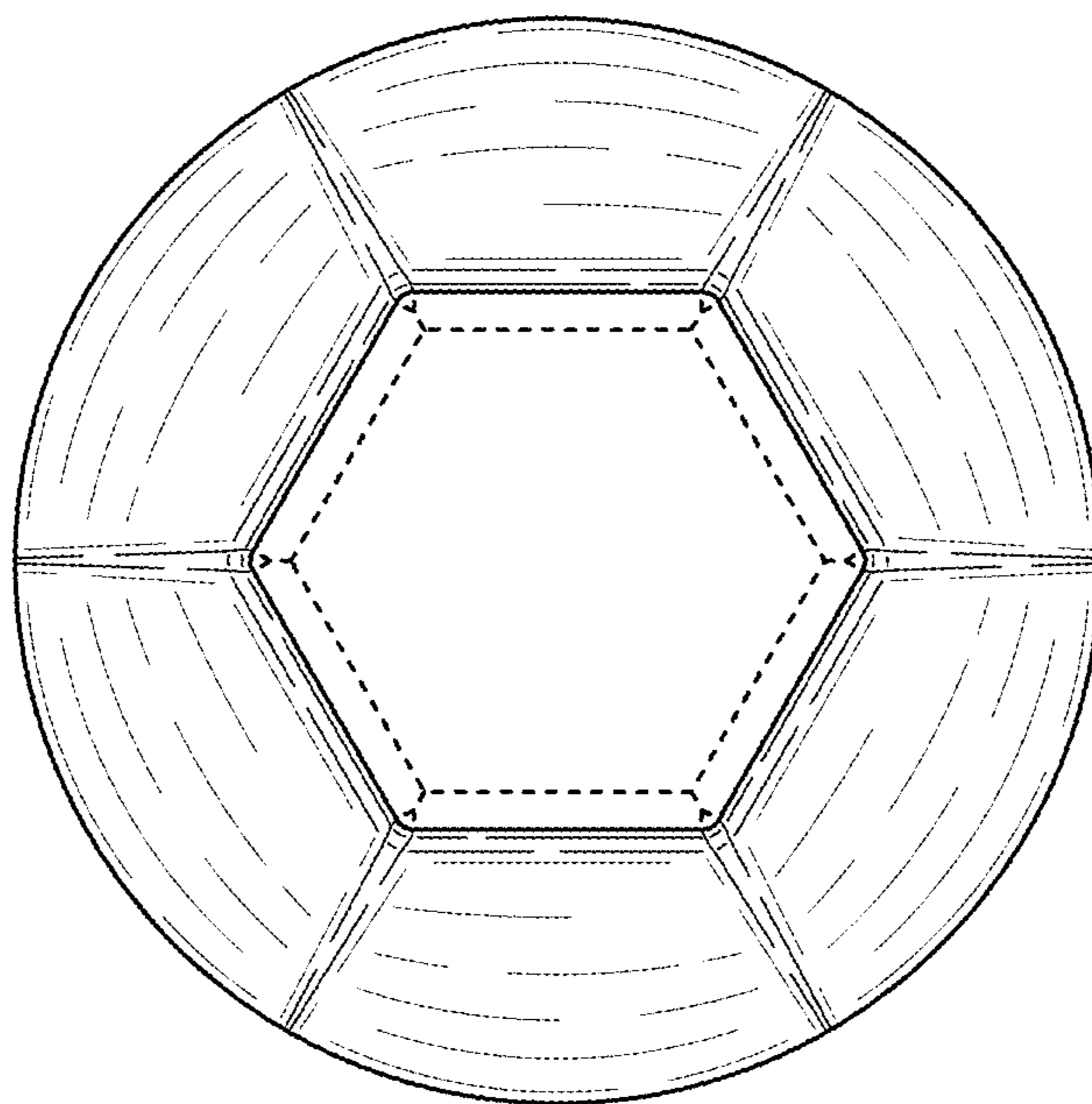


FIG. 5

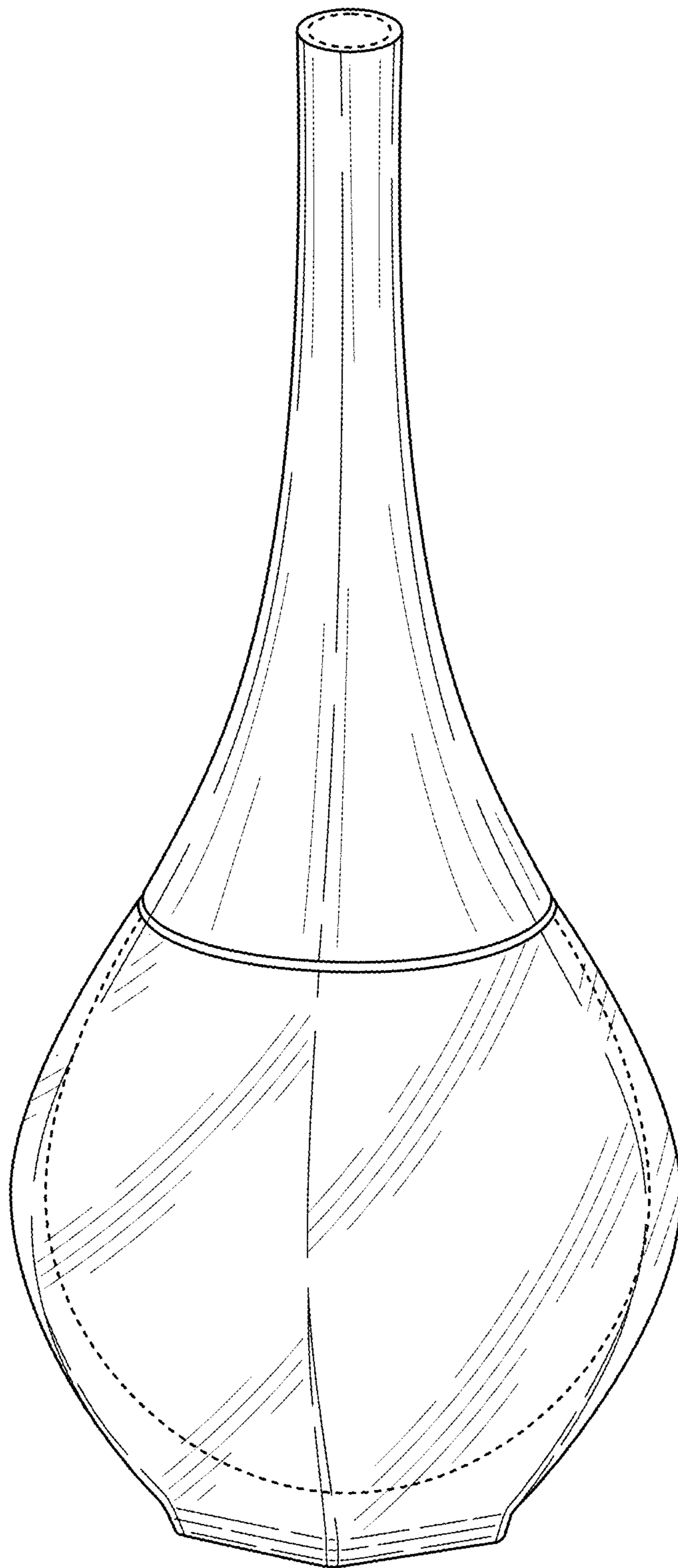


FIG. 6

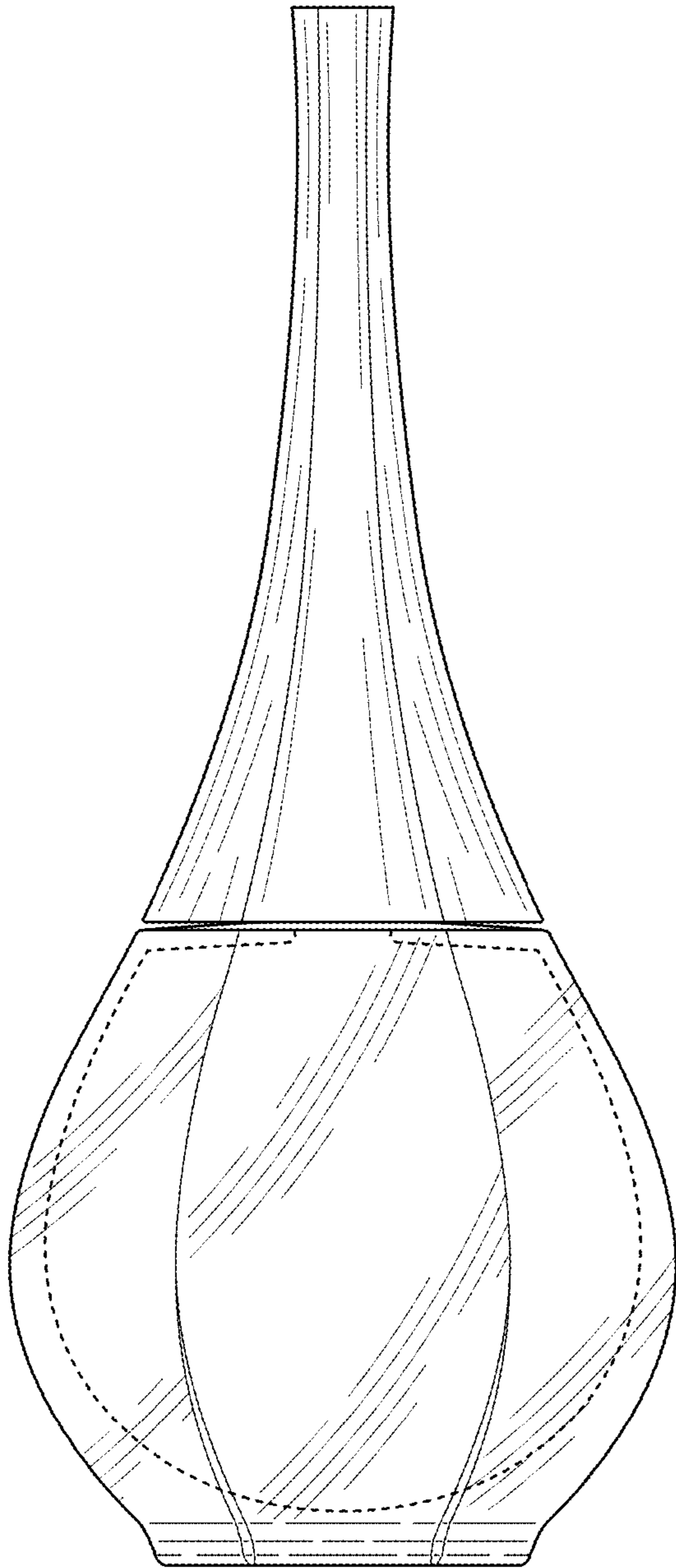


FIG. 7

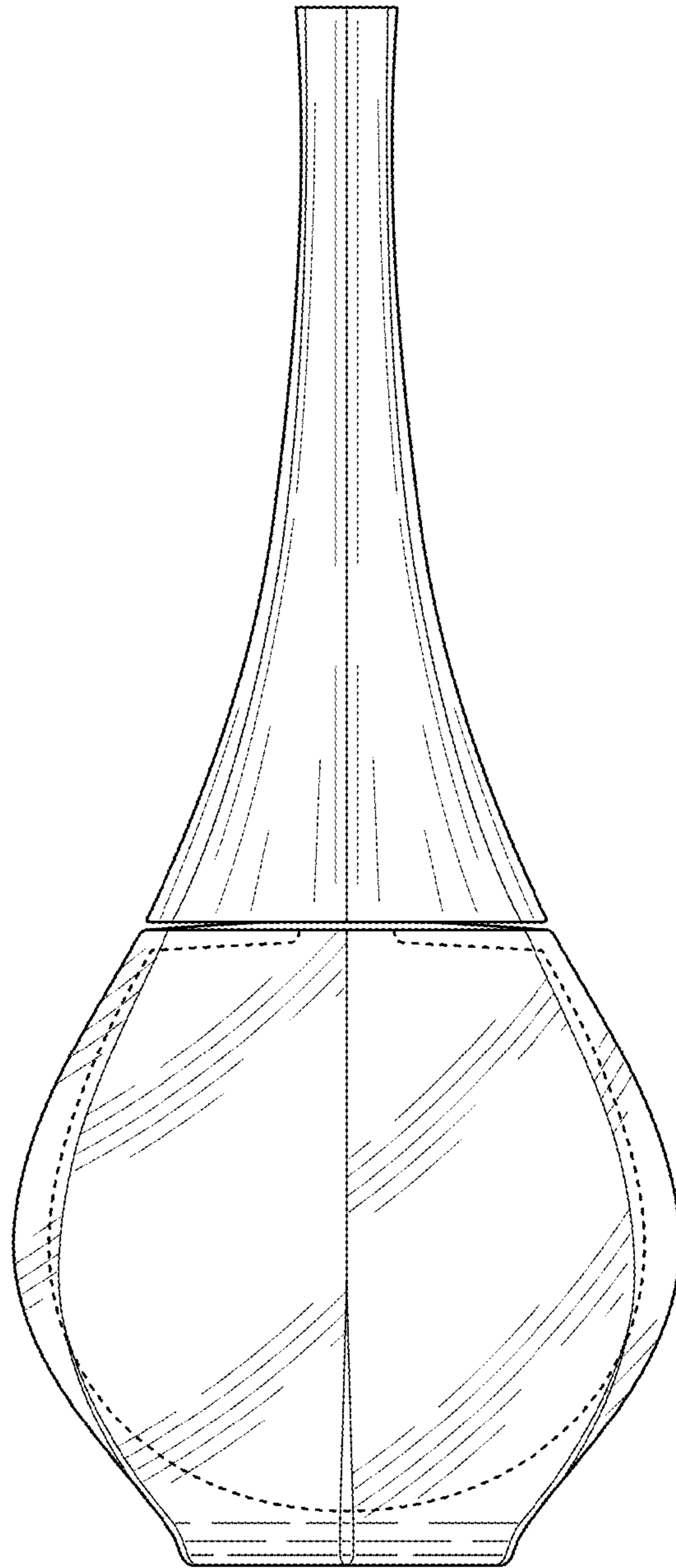


FIG. 8

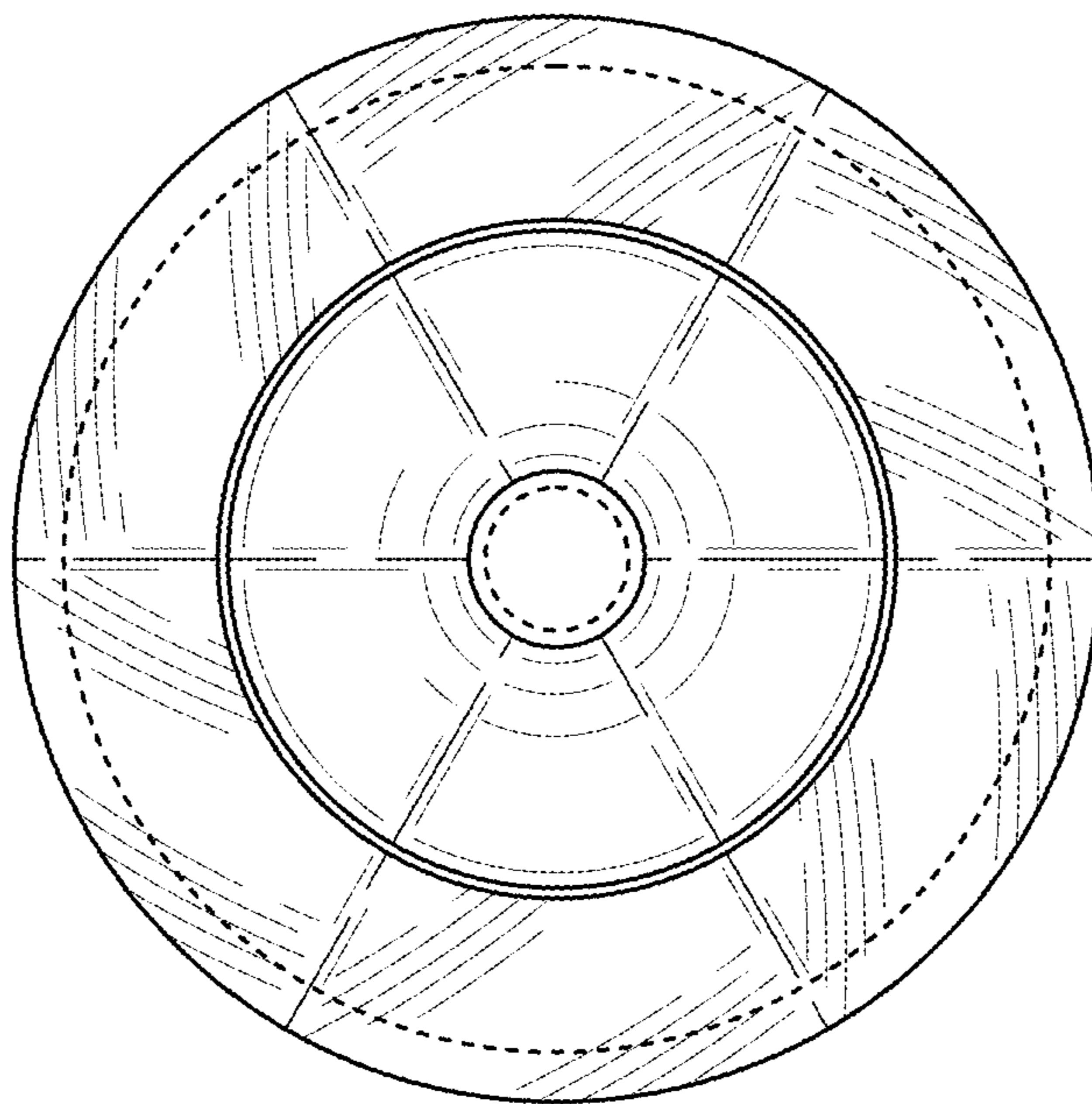


FIG. 9

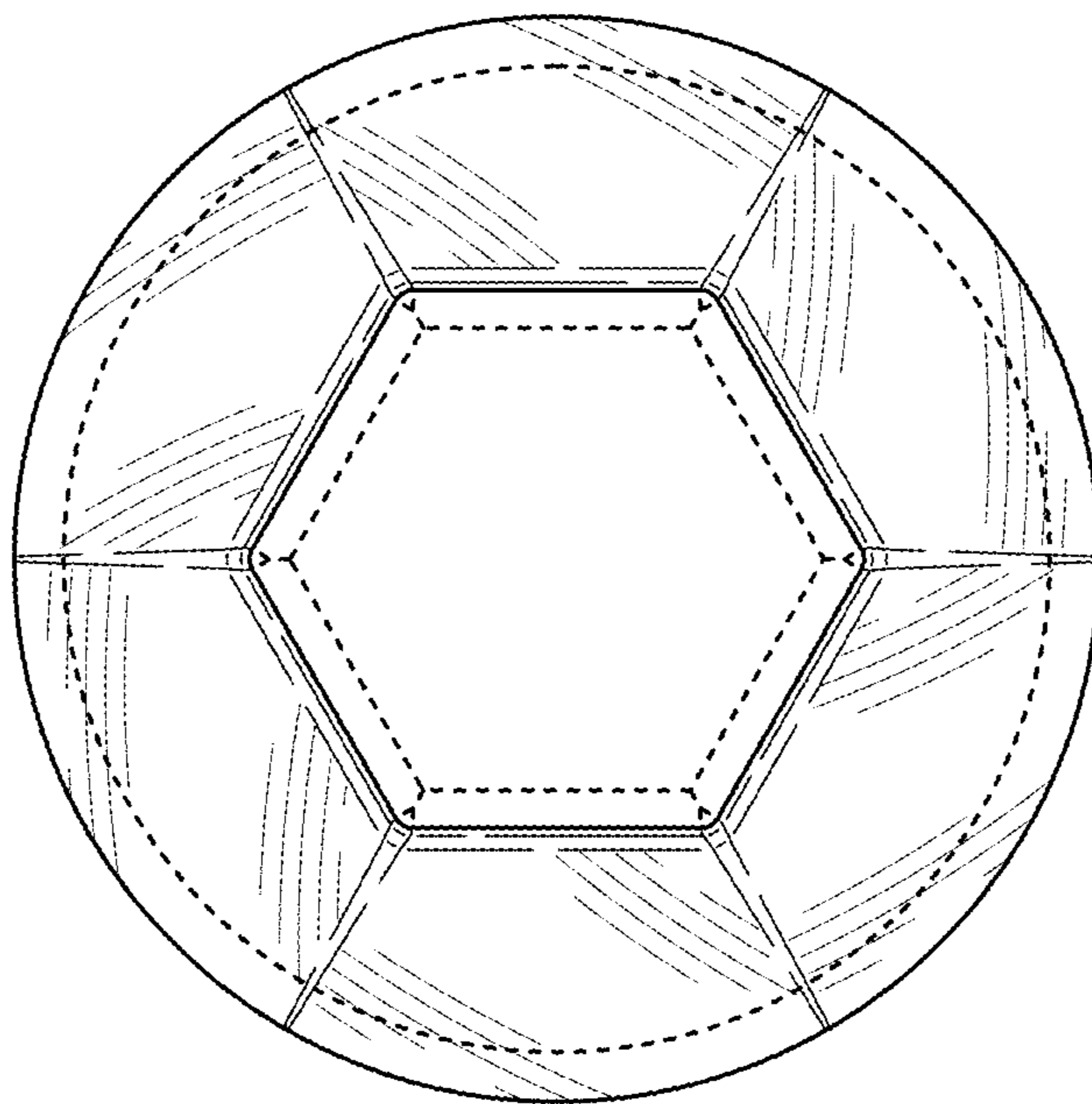


FIG. 10