



US00D768494S

(12) **United States Design Patent** (10) **Patent No.:** **US D768,494 S**
Li (45) **Date of Patent:** **** Oct. 11, 2016**

(54) **PRODUCT DISPENSER**
(71) Applicant: **WM. WRIGLEY JR. COMPANY,**
Chicago, IL (US)
(72) Inventor: **Monica Li,** Guangzhou (CN)
(73) Assignee: **WM. WRIGLEY JR. COMPANY,**
Chicago, IL (US)

D455,077 S 4/2002 Gaiser et al.
D465,971 S * 11/2002 Renz D7/509
D466,371 S * 12/2002 Parker D7/510
D470,638 S * 2/2003 Quan D34/7
D483,611 S * 12/2003 Diak Ghanem D7/510
D502,396 S * 3/2005 Frisch D9/450
D508,203 S 8/2005 Ziegenhorn et al.
D508,402 S 8/2005 Hierzer et al.
D508,853 S 8/2005 Ziegenhorn et al.
D512,917 S 12/2005 Frisch et al.

(Continued)

(**) Term: **14 Years**
(21) Appl. No.: **29/509,816**
(22) Filed: **Nov. 21, 2014**

FOREIGN PATENT DOCUMENTS

KR 300639104.0000 2/2016

(30) **Foreign Application Priority Data**

May 21, 2014 (CN) 2014 3 0142253

(51) **LOC (10) Cl.** **09-01**
(52) **U.S. Cl.**
USPC **D9/504**

(58) **Field of Classification Search**
USPC D9/414, 420, 423, 428, 435, 447, 449,
D9/454, 500, 503, 504, 516, 530, 537, 539,
D9/549, 557, 558, 715, 716, 763, 772,
D9/776-780; D7/601, 602, 608, 624.3,
D7/629

CPC B65D 1/00; B65D 1/02; B65D 1/10;
B65D 1/0223; B65D 1/243; B65D 23/00;
B65D 81/00; B65D 2501/00; B65D
2501/0009

See application file for complete search history.

(56) **References Cited**

U.S. PATENT DOCUMENTS

1,197,389 A 9/1916 Newton
D265,060 S 6/1982 Blank
D285,656 S * 9/1986 Champion D7/511
D307,238 S * 4/1990 May D9/538
D335,382 S * 5/1993 O'Brien D7/509
D441,087 S 4/2001 Johansen et al.

OTHER PUBLICATIONS

Wrigley's Extra: Announced Oct. 23, 2009 [online], site visited
Mar. 1, 2016. Available from Internet URL: <http://www.wrigley.com/uk/brands/extra.aspx>, 1 page.

(Continued)

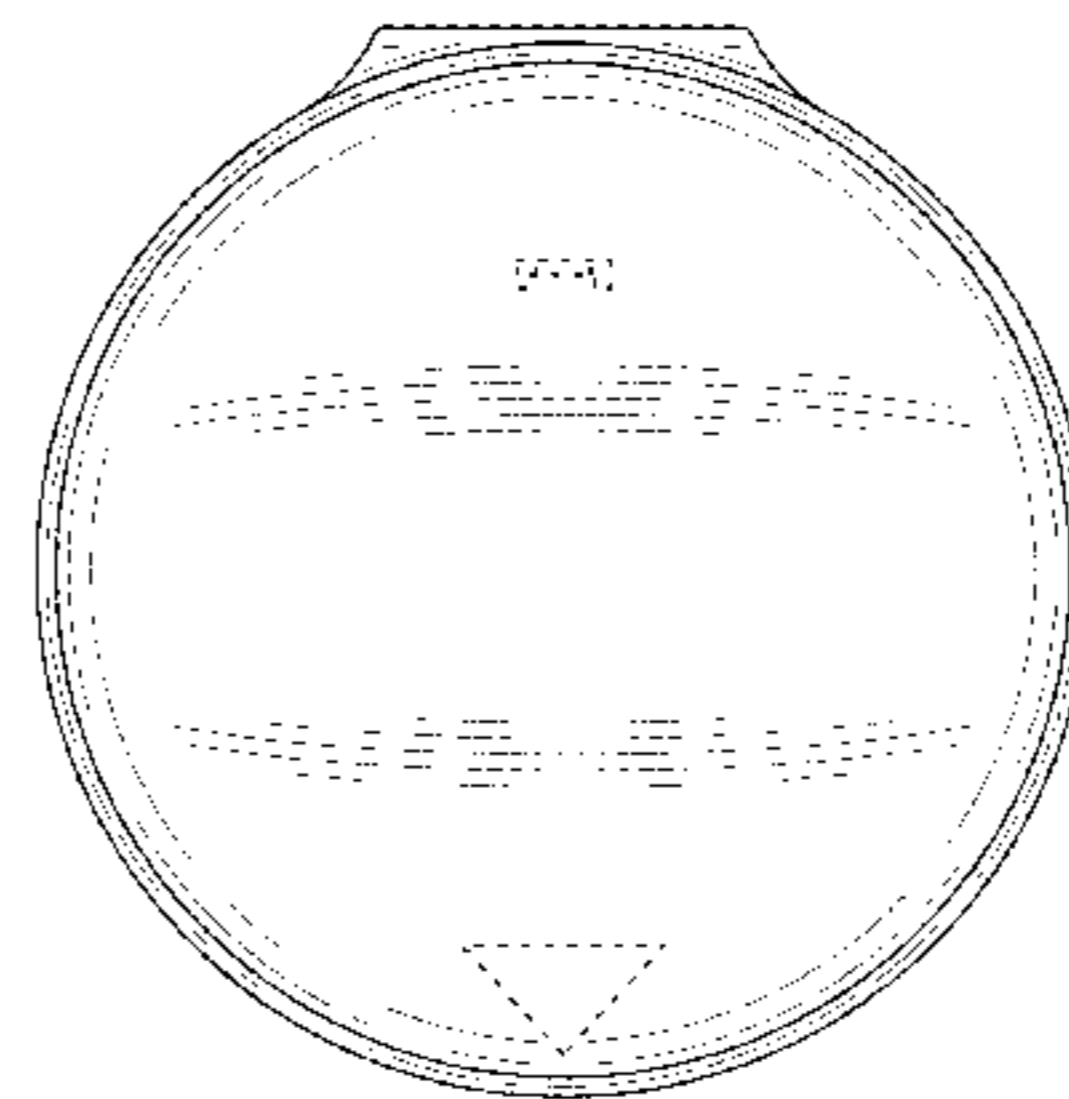
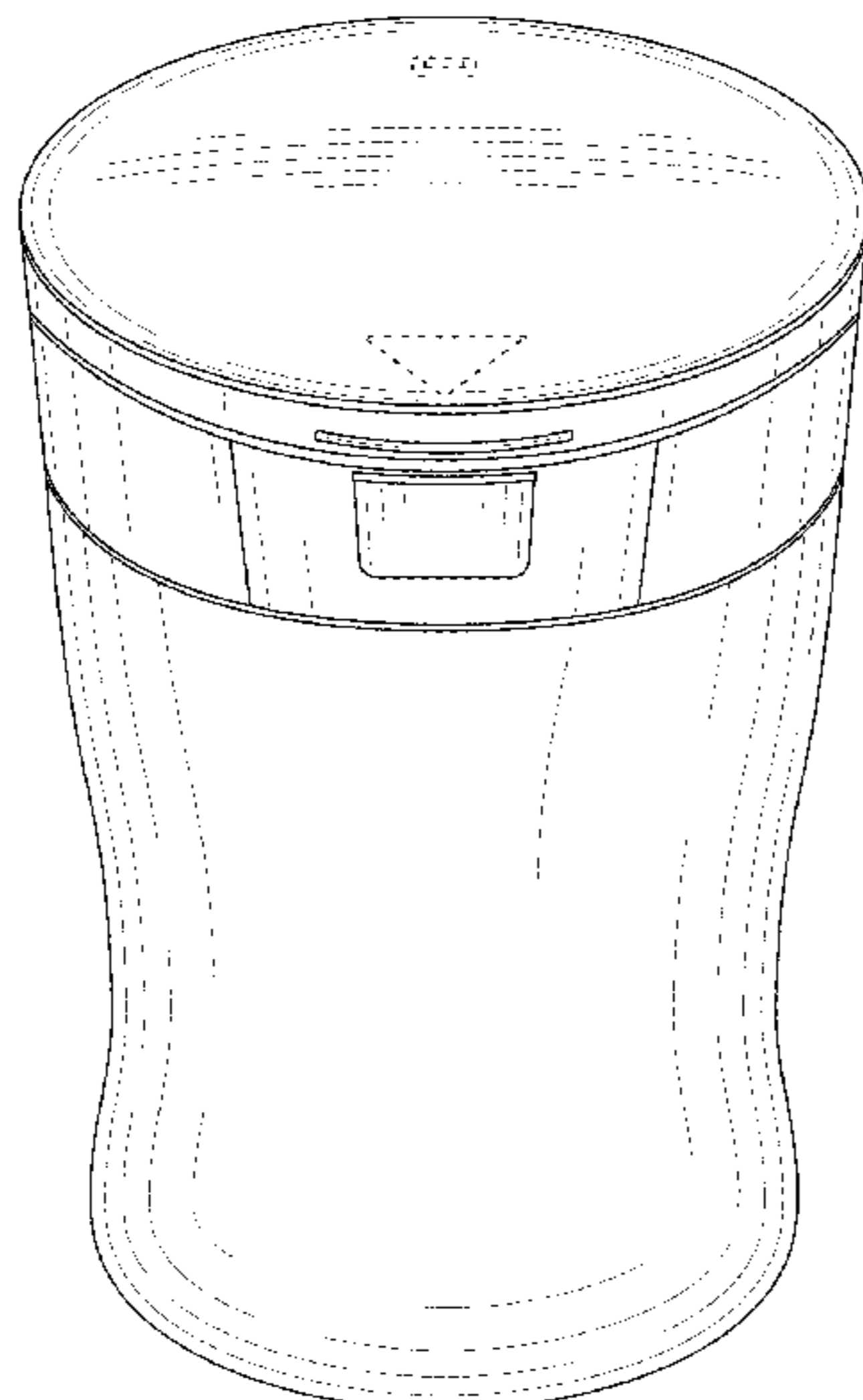
Primary Examiner — Ian Simmons
Assistant Examiner — Keith Frank

(57) **CLAIM**
The ornamental design for a product dispenser, as shown and
described.

DESCRIPTION

FIG. 1 is a front perspective view of a product dispenser
showing my new design;
FIG. 2 is a front elevation view thereof;
FIG. 3 is a rear elevation view of thereof;
FIG. 4 is a left side elevation view thereof;
FIG. 5 is a right side elevation view thereof;
FIG. 6 is a top plan view thereof; and,
FIG. 7 is a bottom plan view thereof.
The broken lines in the drawings illustrate the portions of the
product container that form no part of the claim.

1 Claim, 6 Drawing Sheets



(56)

References Cited

U.S. PATENT DOCUMENTS

D531,519 S * 11/2006 Ioannides D9/776
 D535,151 S * 1/2007 Seum D7/510
 D541,154 S 4/2007 Moribata et al.
 D545,131 S * 6/2007 Seum D7/509
 D547,611 S * 7/2007 Seum D7/510
 D550,084 S * 9/2007 King D9/453
 D550,509 S 9/2007 Dretzka
 D567,089 S * 4/2008 Glydon D9/504
 D568,155 S 5/2008 Glydon et al.
 D577,259 S 9/2008 Seum et al.
 D580,764 S 11/2008 Shale
 D585,741 S 2/2009 Wilson et al.
 D588,915 S 3/2009 Lohrman et al.
 D598,752 S 8/2009 Wilson et al.
 D601,022 S * 9/2009 Zamberlan D9/443
 7,611,025 B2 11/2009 Nusbaum et al.
 D614,033 S * 4/2010 Hassamanci D9/504
 D614,488 S 4/2010 Kallenbach et al.
 D623,060 S * 9/2010 Hassamanci D9/438
 D626,417 S * 11/2010 Kim D9/453
 D628,889 S 12/2010 Groubert et al.
 D628,892 S 12/2010 Groubert et al.
 D628,893 S 12/2010 Groubert et al.
 D634,198 S 3/2011 Groubert et al.
 D635,684 S 4/2011 Shaikh et al.
 D636,672 S 4/2011 Lohrman et al.

D666,096 S 8/2012 Cummings et al.
 D668,509 S * 10/2012 Beugelsdijk D7/400
 D674,101 S 1/2013 Smith
 D681,458 S 5/2013 Santarelli
 D681,480 S 5/2013 Maxwell-Wood
 D688,554 S 8/2013 Fracasso
 D691,848 S * 10/2013 Trudeau D7/392.1
 D696,586 S * 12/2013 Huang D7/511
 D697,406 S 1/2014 Peacock
 D709,764 S 7/2014 Gibb
 D711,230 S 8/2014 den Boer
 D713,723 S 9/2014 den Boer
 D713,724 S 9/2014 den Boer
 D716,660 S * 11/2014 Quinones D9/449
 D722,267 S 2/2015 Miranda De Araujo et al.
 D745,400 S * 12/2015 Canuto D9/503
 2001/0050264 A1 * 12/2001 Schorner B65D 47/0804
 215/237
 2006/0186077 A1 8/2006 Robinson
 2006/0186079 A1 8/2006 Ziegenhorn

OTHER PUBLICATIONS

Wrigley's Extra Ice: Announced Oct. 23, 2009 [online], site visited Mar. 1, 2016. Available from Internet URL: <http://www.wrigley.com/uk/brands/extra.aspx>, 2 pages.

* cited by examiner

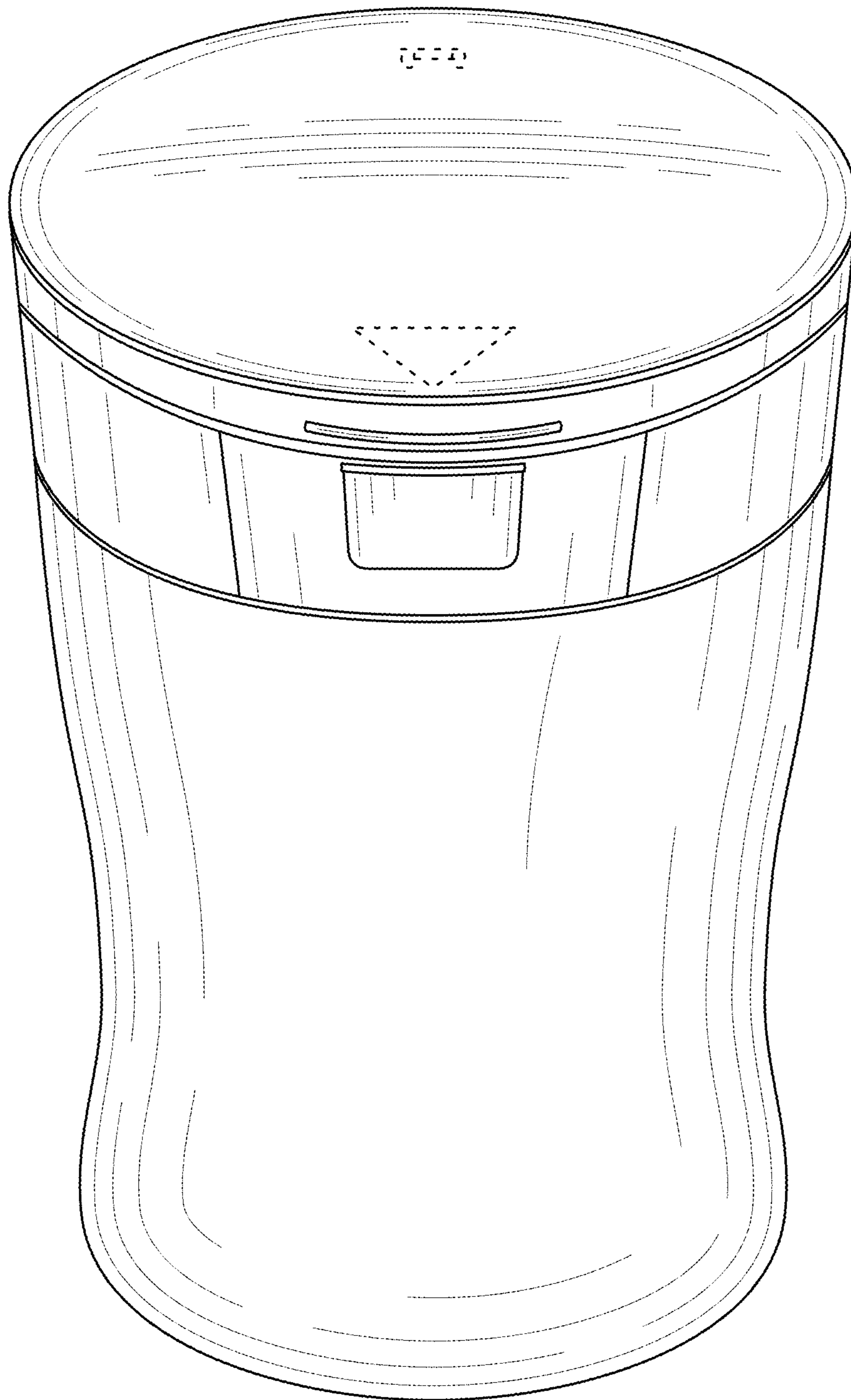


FIG. 1

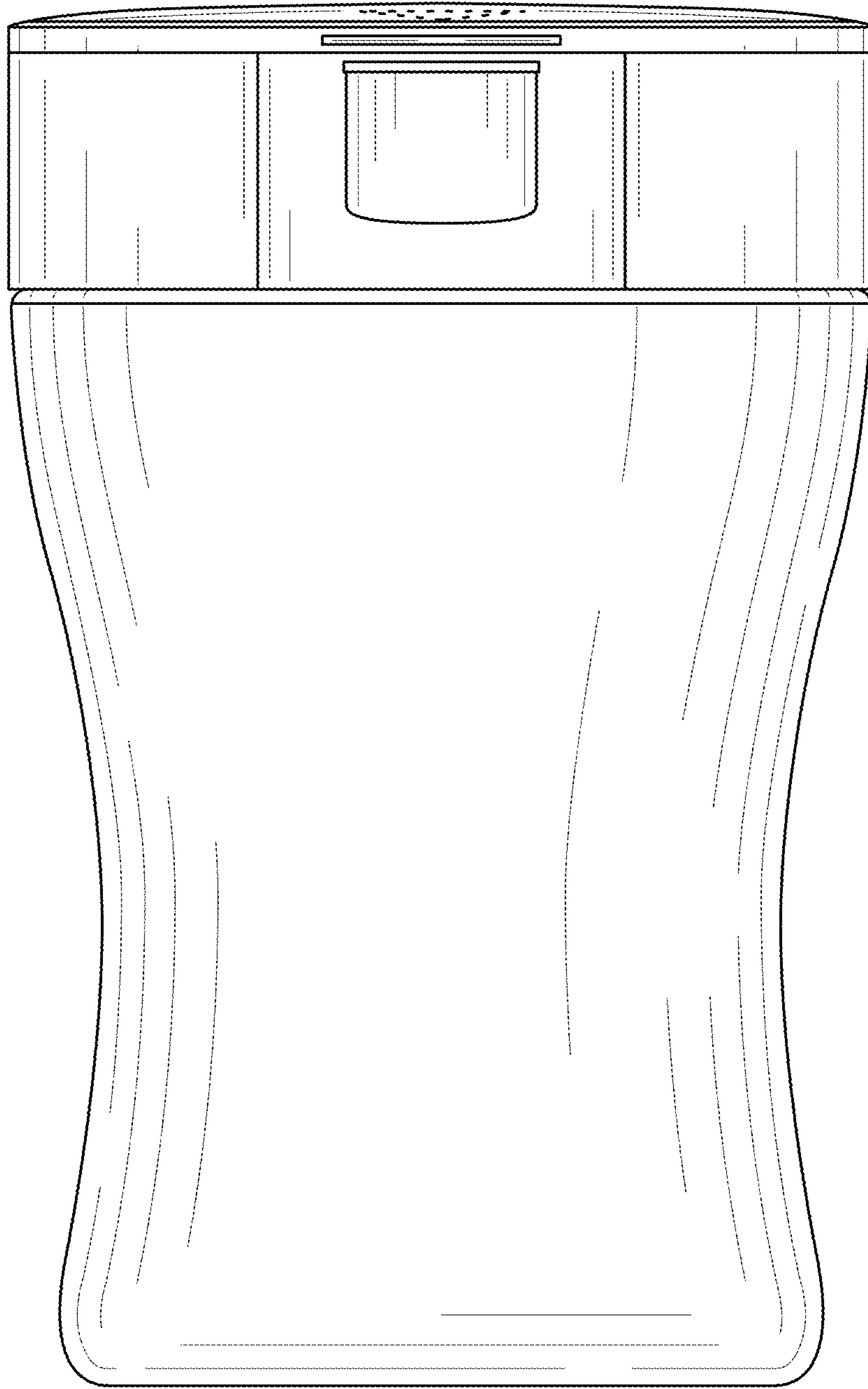


FIG. 2

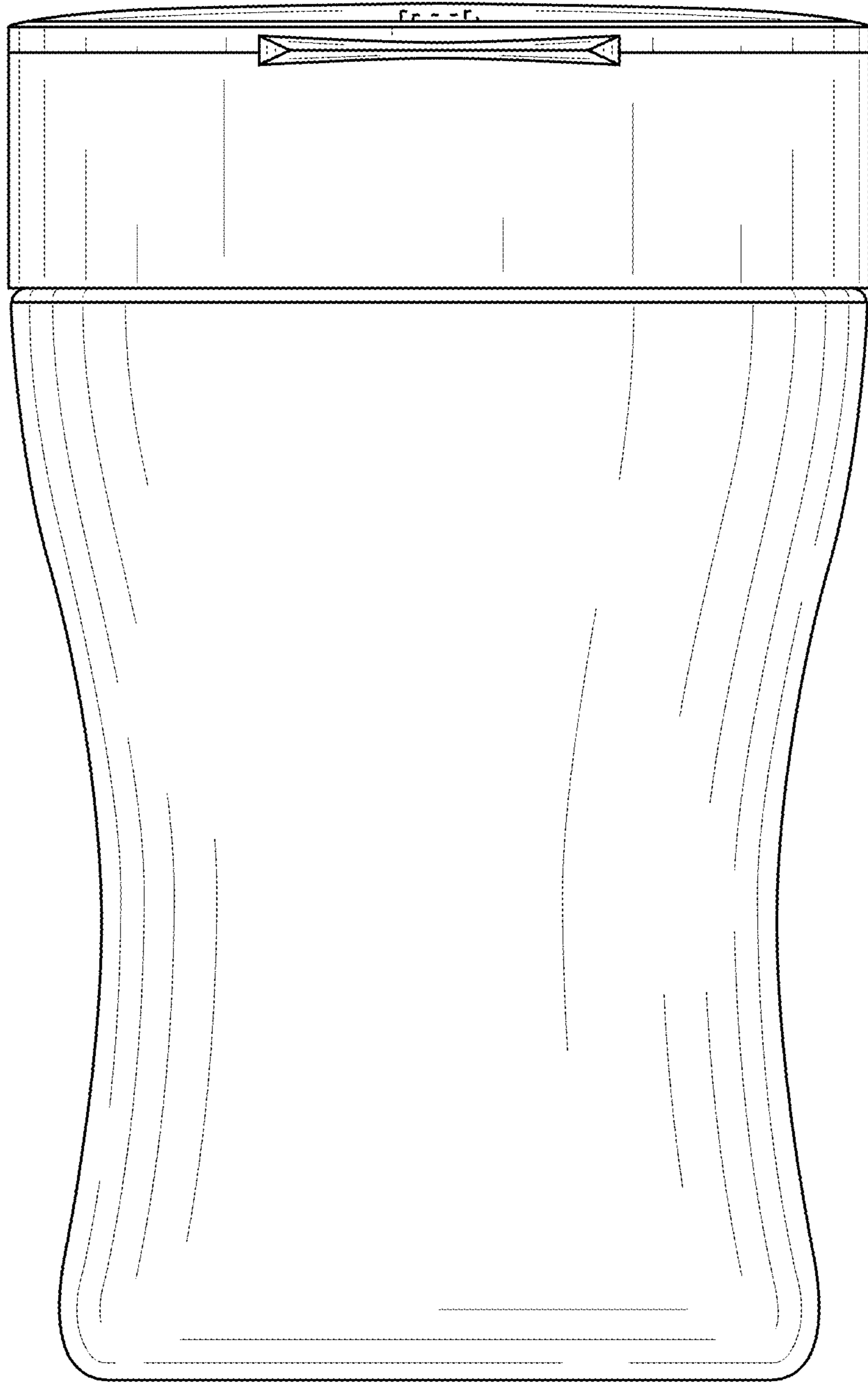


FIG. 3

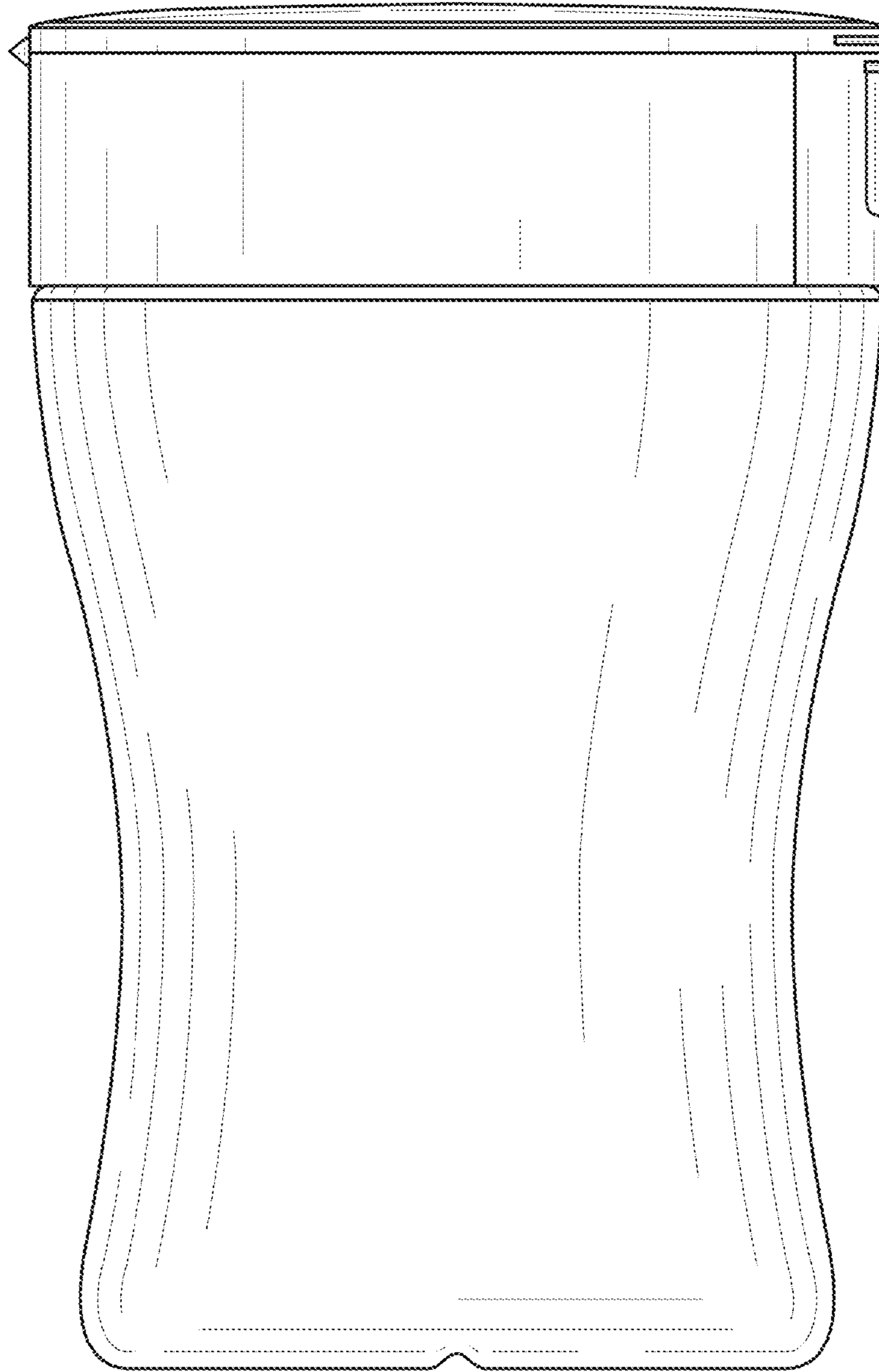


FIG. 4

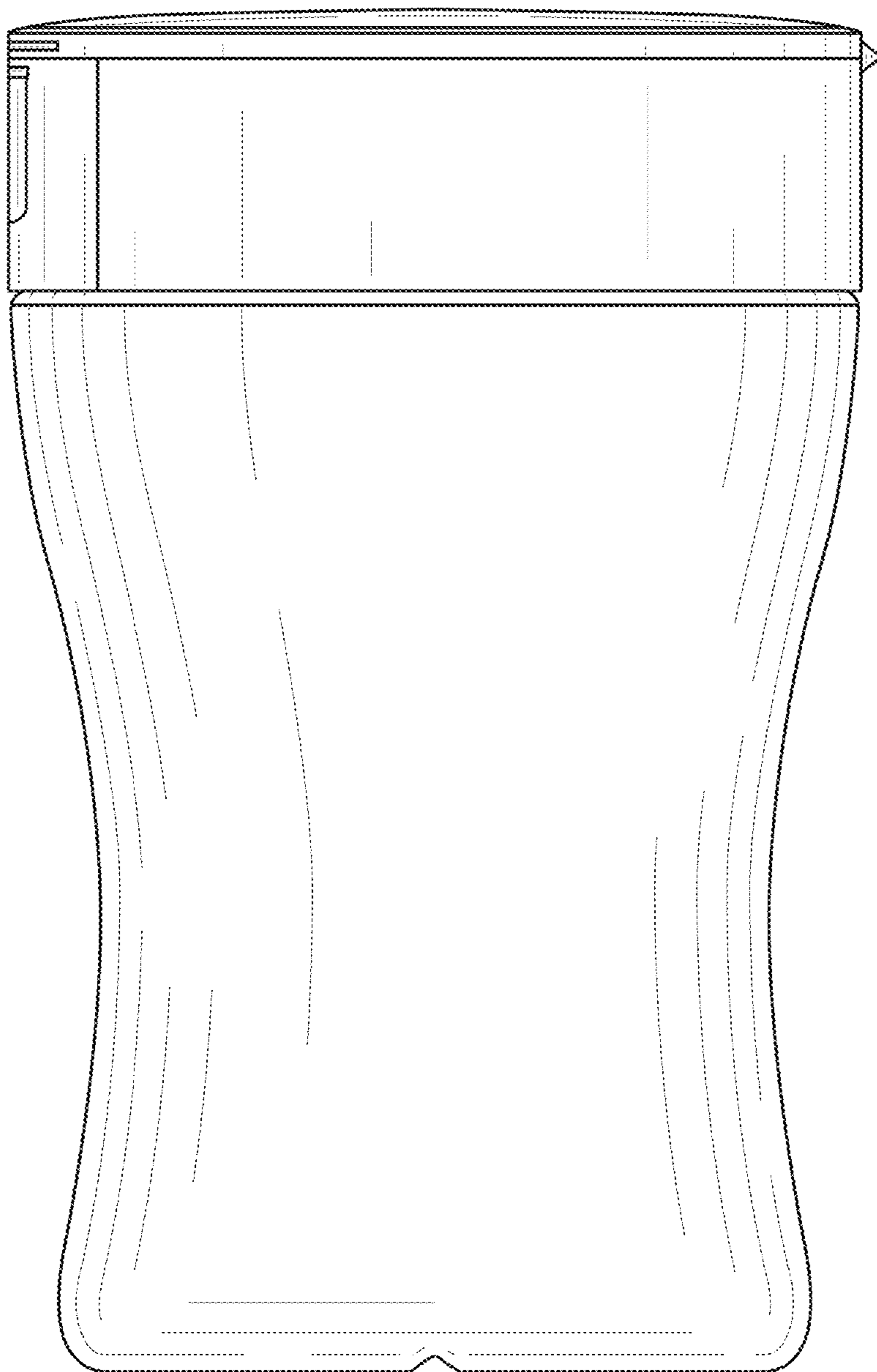


FIG. 5

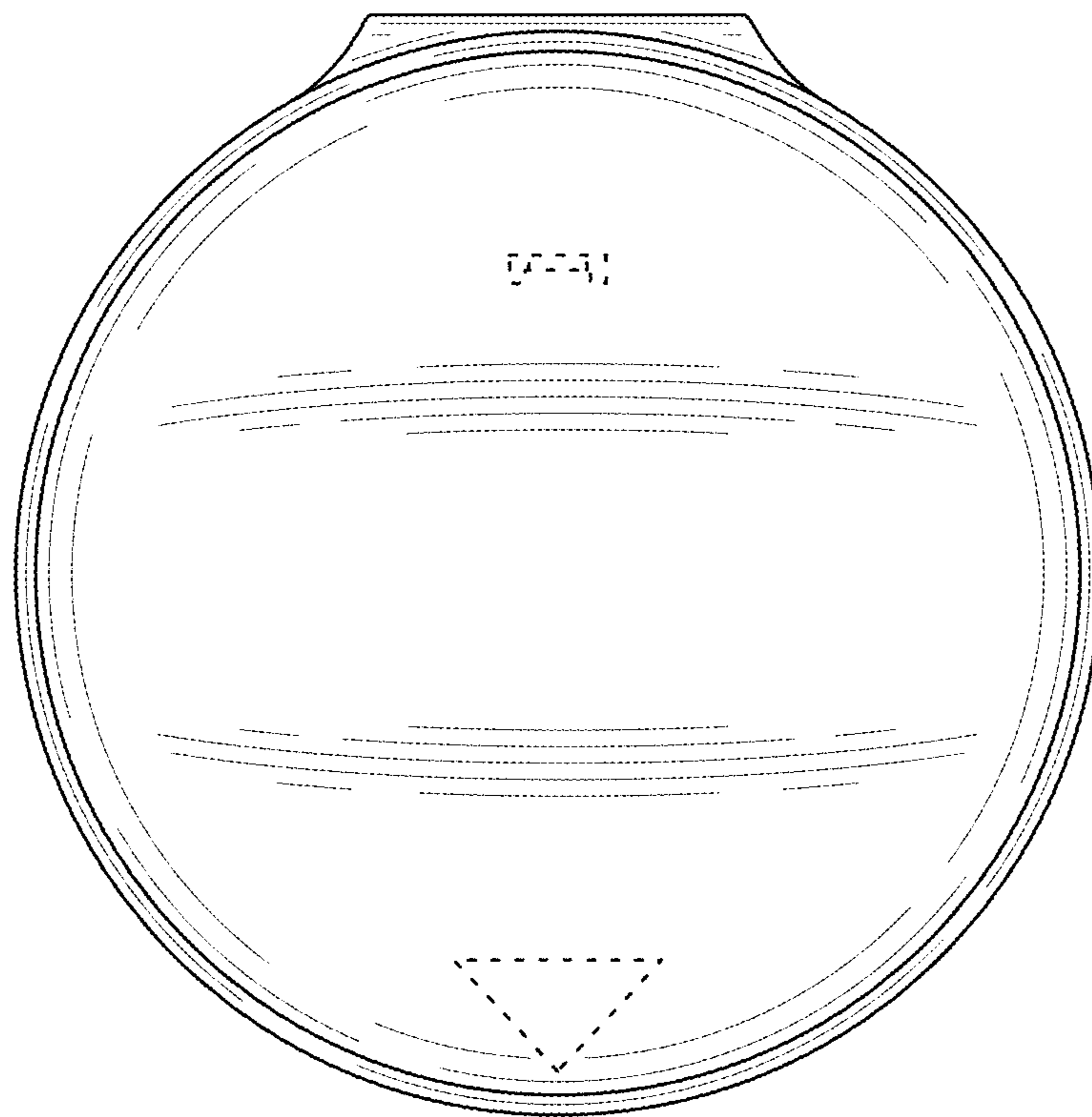


FIG. 6

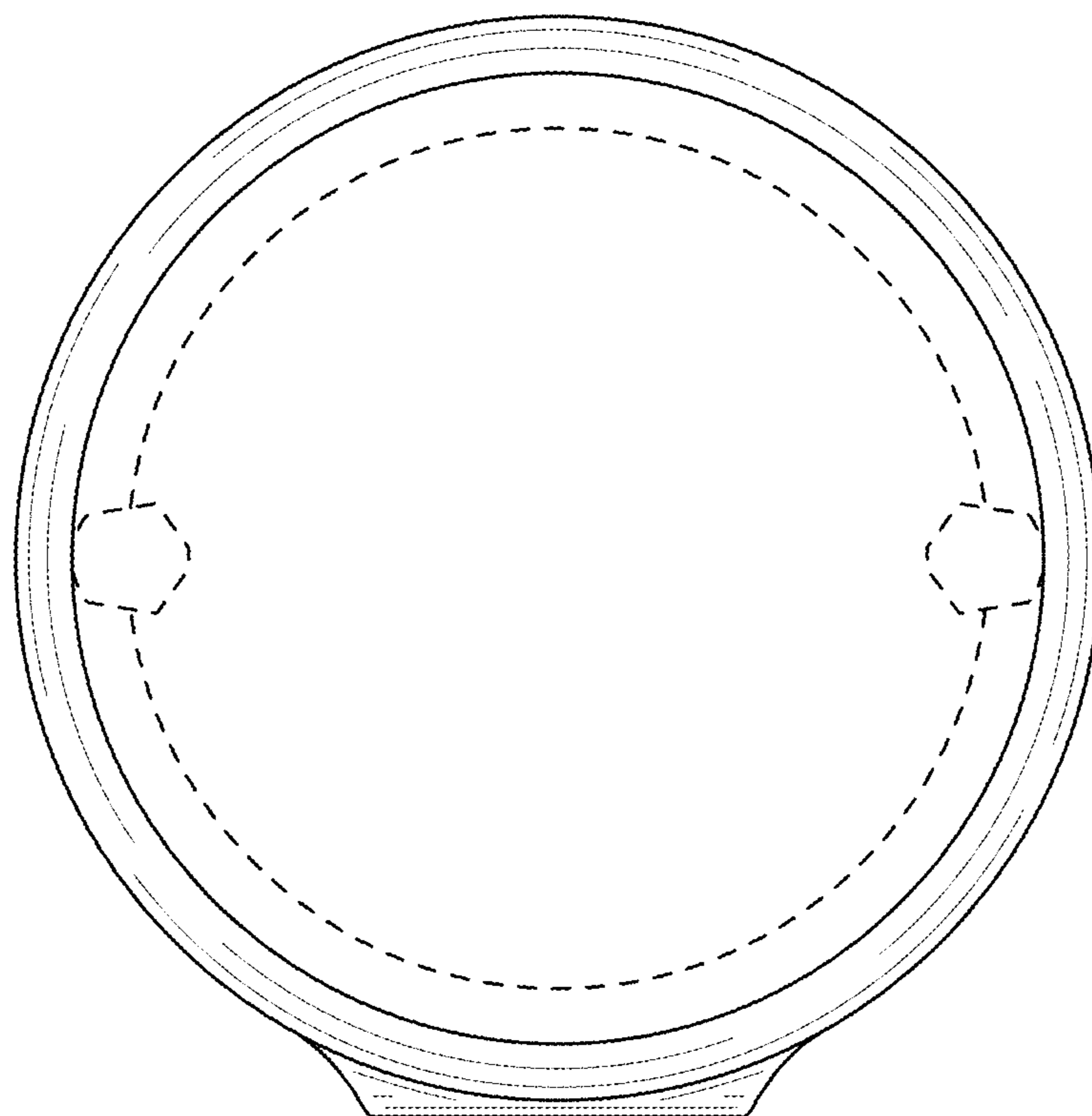


FIG. 7