



US00D768493S

(12) **United States Design Patent** (10) **Patent No.:** **US D768,493 S**
Silverstein (45) **Date of Patent:** **** Oct. 11, 2016**

(54) **DISPLAY CONTAINER WITH INTERIOR MOUNT**

2,450,620 A 10/1948 Speicher
D177,969 S 1/1956 Franklin
2,755,921 A * 7/1956 Ortendahl A45C 11/10
206/6.1
2,991,876 A * 7/1961 Shiffman A45C 11/16
206/6.1
3,937,319 A * 2/1976 Roy A45C 11/16
206/559

(71) Applicant: **Jan Leslie Corp.**, New York, NY (US)

(72) Inventor: **Neil W. Silverstein**, Sands Point, NY (US)

(73) Assignee: **JAN LESLIE CORP.**, New York, NY (US)

(Continued)

(**) Term: **15 Years**

(21) Appl. No.: **29/540,254**

(22) Filed: **Sep. 22, 2015**

OTHER PUBLICATIONS

Jan Leslie, Heart-Shaped Engagement Ring Locket, retrieved Oct. 15, 2015 from <http://janleslie.com/collections/necklaces/products/heart-shaped-engagement-ring-locket>.

Primary Examiner — Robert M Spear
(74) *Attorney, Agent, or Firm* — Amster, Rothstein & Ebenstein LLP

Related U.S. Application Data

(63) Continuation-in-part of application No. 29/523,046, filed on Apr. 6, 2015, now abandoned, which is a continuation of application No. 29/489,335, filed on Apr. 29, 2014, now Pat. No. Des. 726,062.

(51) **LOC (10) Cl.** **09-07**

(52) **U.S. Cl.**
USPC **D9/455**

(58) **Field of Classification Search**
USPC D9/414, 415, 434, 451, 455, 456, 457, D9/499; D3/903; 206/559, 566, 754
CPC B65D 79/00; A45C 11/16; A47F 7/03
See application file for complete search history.

(57) **CLAIM**

The ornamental design for a display container with interior mount, as shown and described.

DESCRIPTION

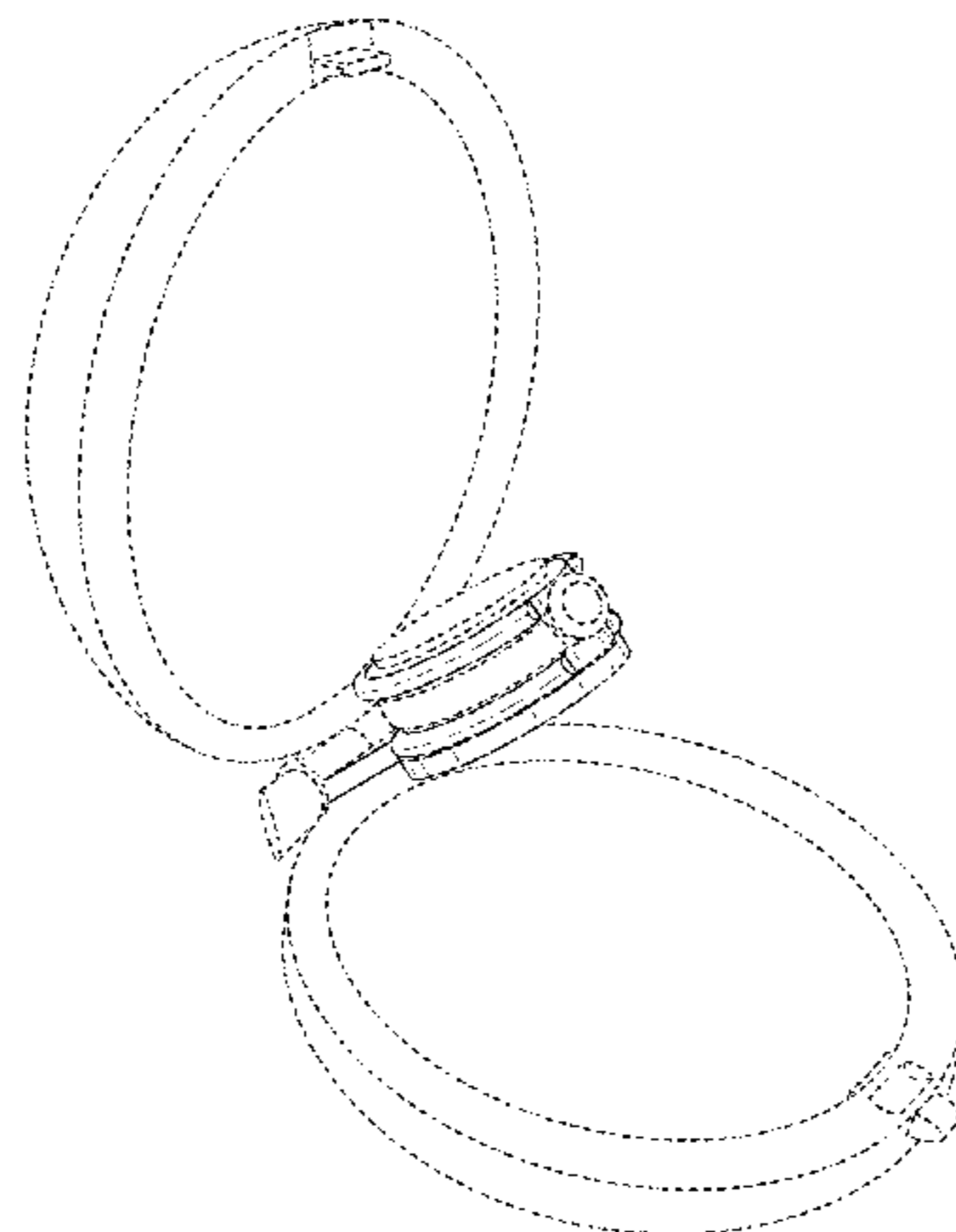
FIG. 1 is a perspective view of a display container with interior mount showing my new design;
FIG. 2 is a front view of the display container with interior mount of FIG. 1;
FIG. 3 is a rear view of the display container with interior mount of FIG. 1;
FIG. 4 is a left side view of the display container with interior mount of FIG. 1;
FIG. 5 is a right side view of the display container with interior mount of FIG. 1;
FIG. 6 is a top plan view of the display container with interior mount of FIG. 1; and,
FIG. 7 is a bottom plan view of the display container with interior mount of FIG. 1.
The portions of the display container with interior mount shown in broken lines are for environmental purposes only and do not form part of the claimed design.

(56) **References Cited**

U.S. PATENT DOCUMENTS

D36,973 S 5/1904 Humphrey
1,683,545 A 9/1928 Harris
D113,506 S 2/1939 Burke
2,253,212 A * 8/1941 Rathbun A45C 11/16
206/301
D135,060 S 2/1943 Lampl
D138,931 S 9/1944 Hobe
D138,938 S 9/1944 Hobe
D139,261 S 10/1944 Hobe
D139,263 S 10/1944 Hobe

1 Claim, 7 Drawing Sheets



(56)

References Cited

U.S. PATENT DOCUMENTS

4,082,183	A *	4/1978	Sturm	A47F 7/03	206/301
D263,813	S	4/1982	Buschmann			
4,461,383	A *	7/1984	Groff	A47F 7/03	206/566
D339,311	S	9/1993	Ambar			
5,390,510	A	2/1995	Tirio-Cloonan			
D386,426	S	11/1997	Gemmell			
5,979,661	A *	11/1999	Sherman	A47F 7/03	206/566
6,735,022	B1 *	5/2004	Solitt	A47F 7/02	206/566
D525,030	S *	7/2006	Farmer	D3/271.1	
D547,689	S	7/2007	Shanahan			
7,412,847	B2	8/2008	Huang			
D726,062	S	4/2015	Silverstein			
9,084,462	B2 *	7/2015	Michael	A45C 11/16	

* cited by examiner

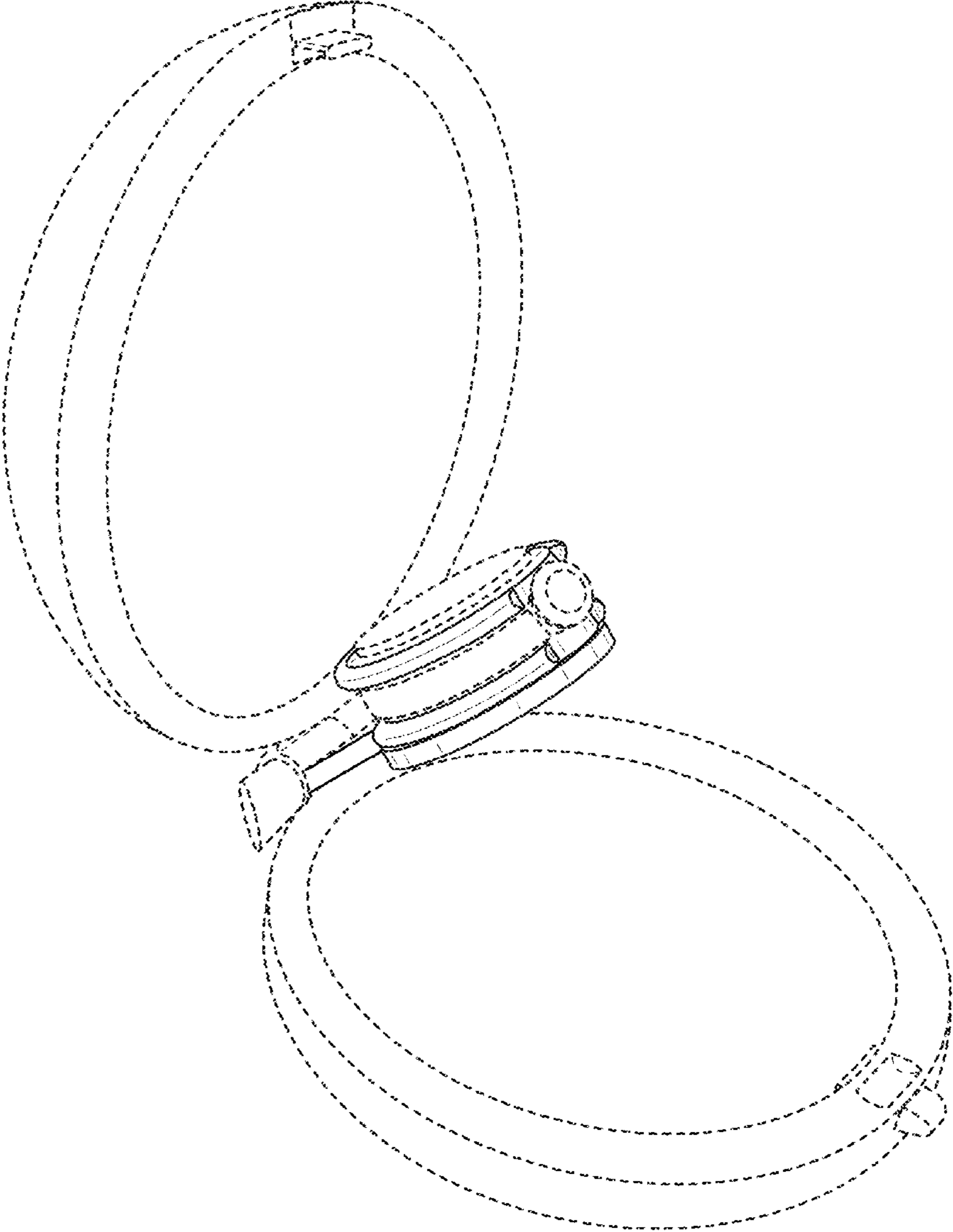


FIG. 1

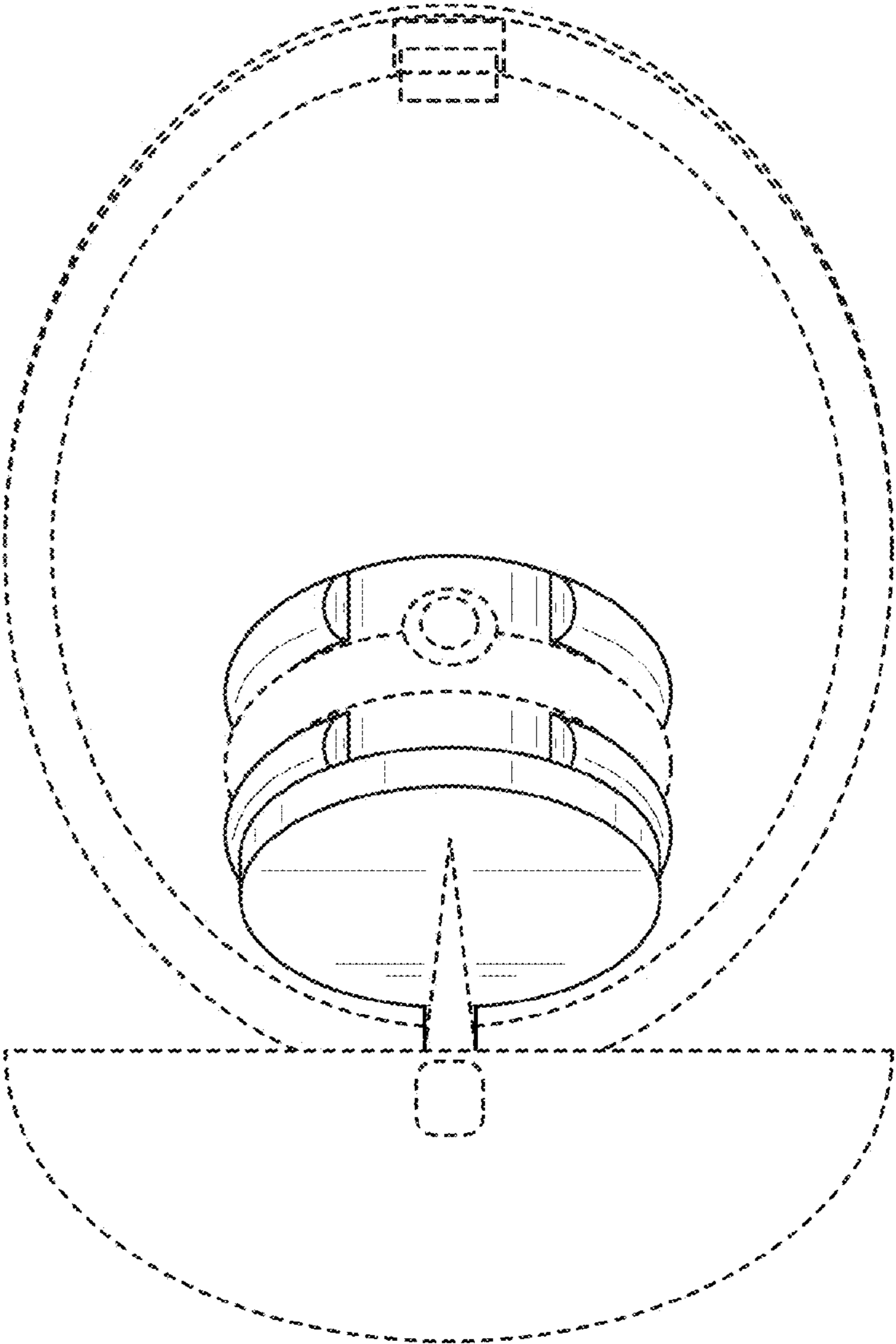


FIG. 2

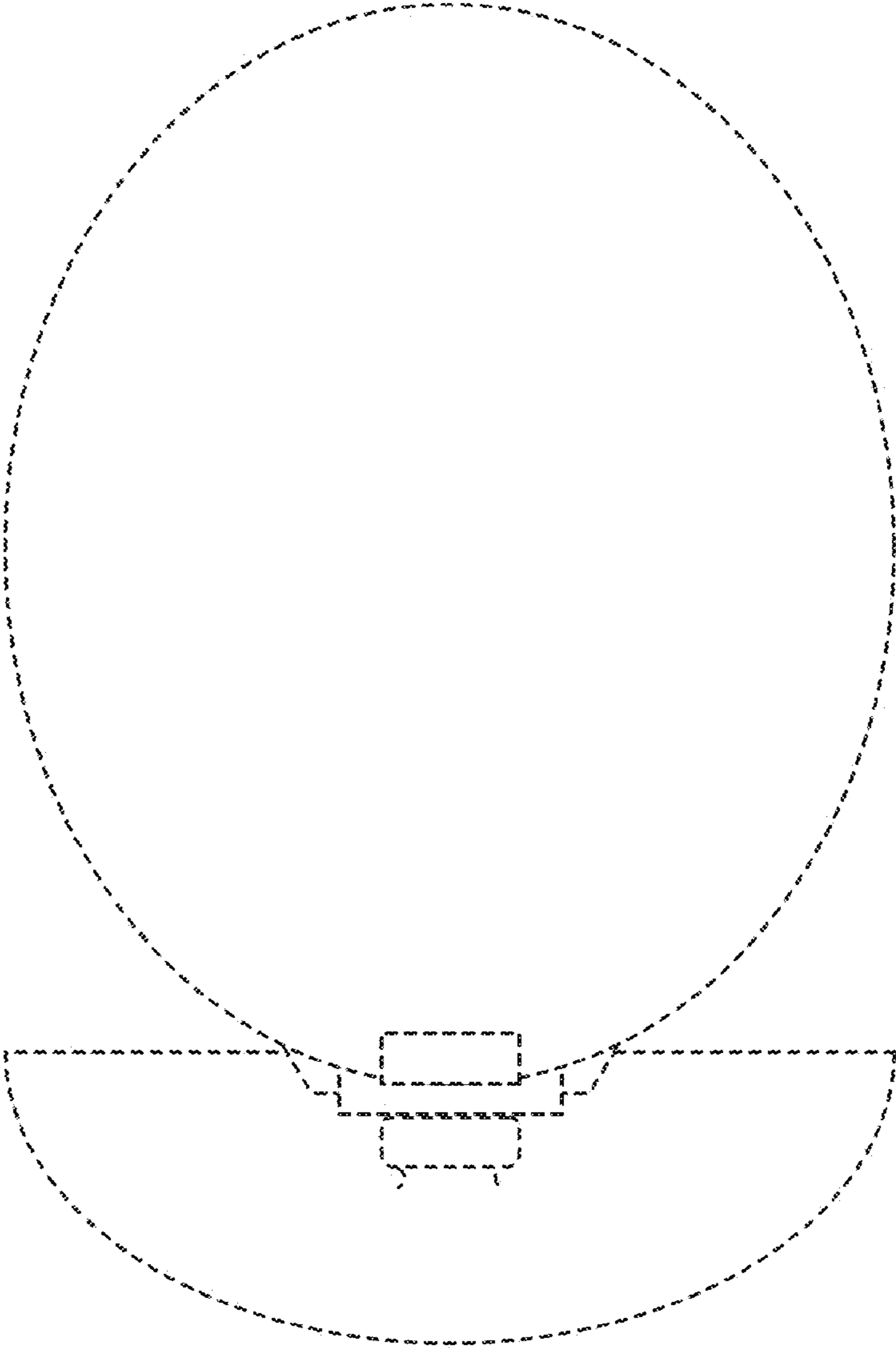


FIG. 3

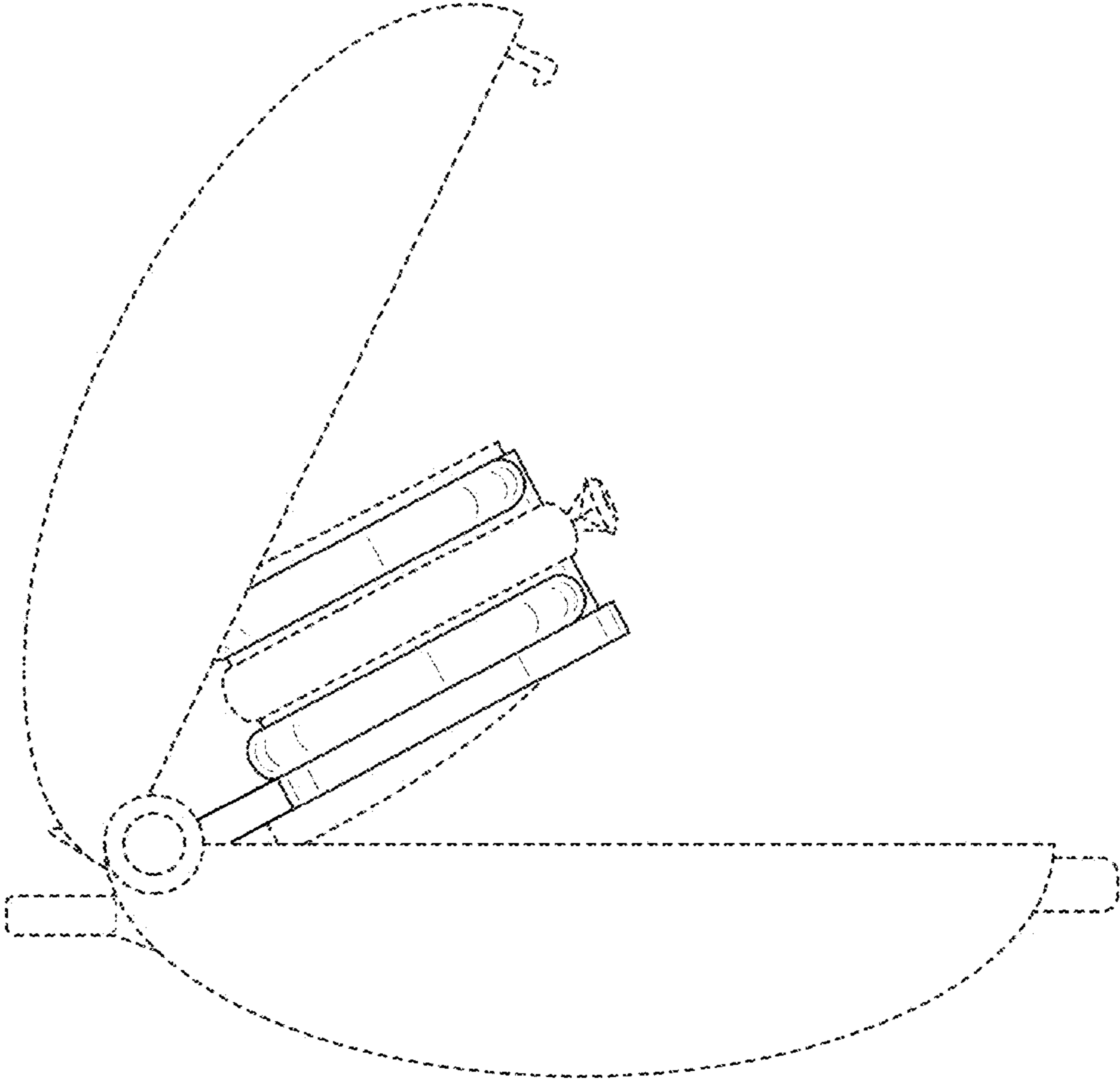


FIG. 4

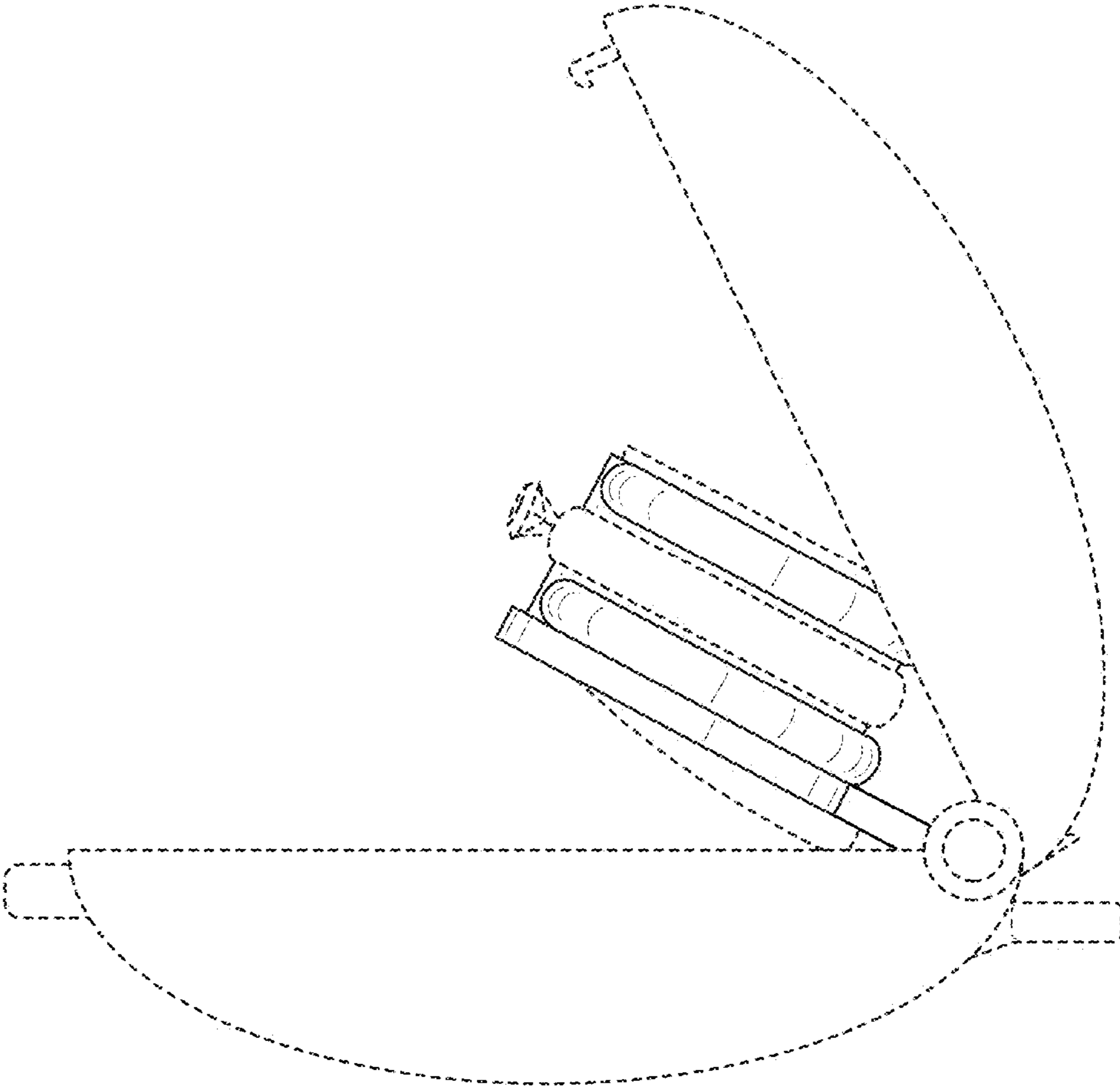


FIG. 5

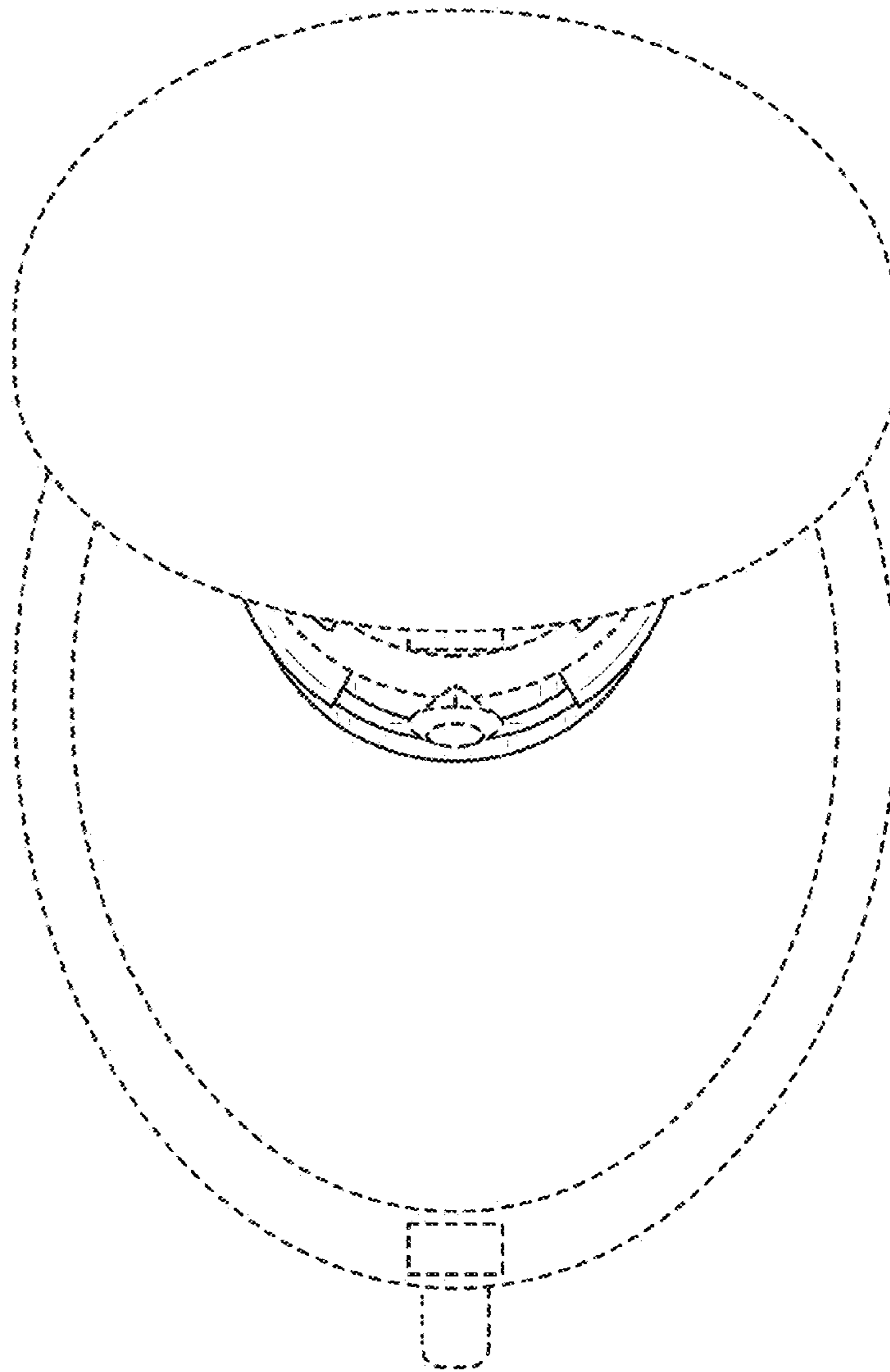


FIG. 6

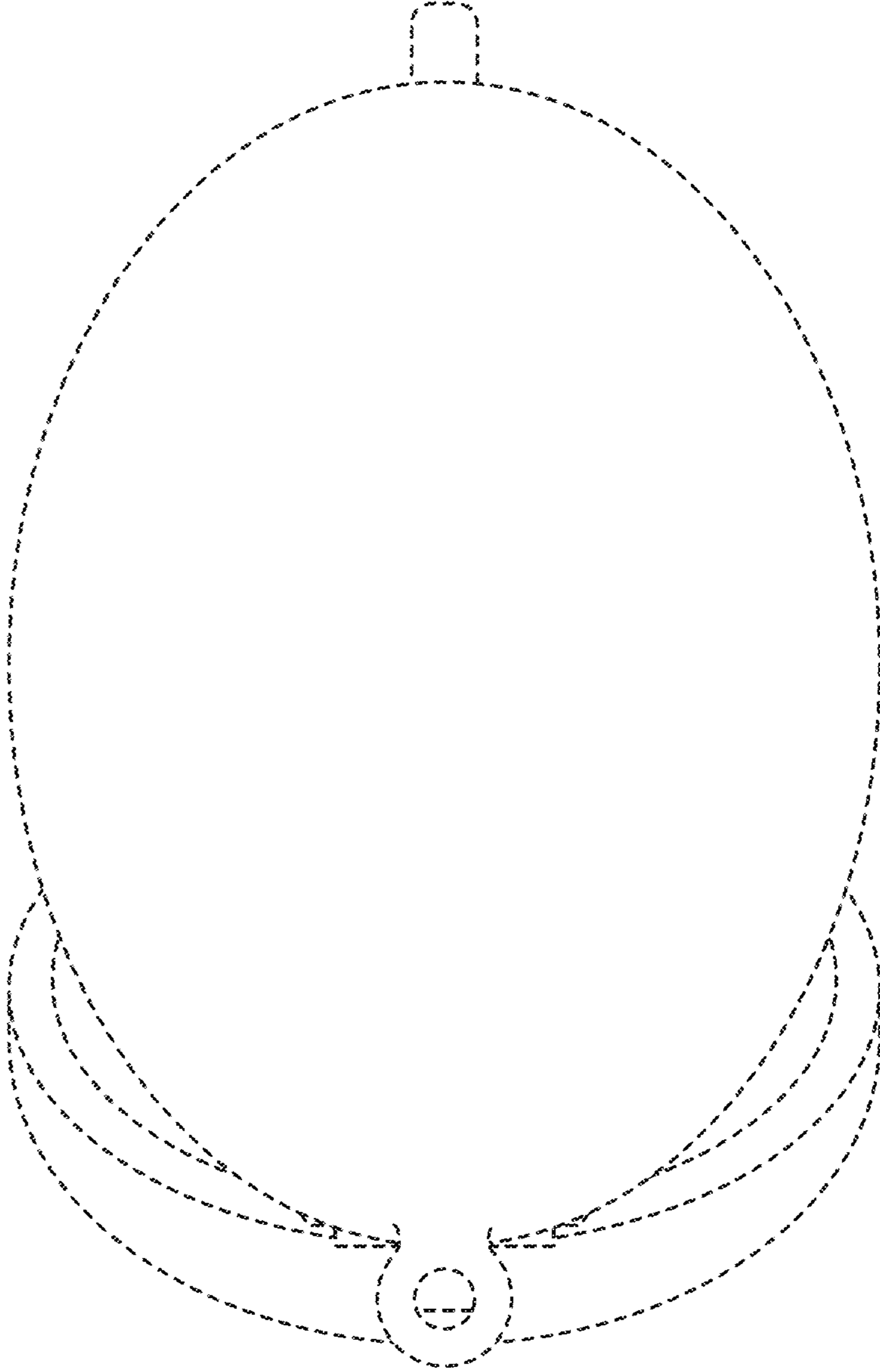


FIG. 7