



US00D768492S

(12) **United States Design Patent**
Kim

(10) **Patent No.:** **US D768,492 S**
(45) **Date of Patent:** **** Oct. 11, 2016**

(54) **SAFETY CAP**

(71) Applicant: **HANLIM PHARMACEUTICAL CO., LTD.**, Gyeonggi-do (KR)

(72) Inventor: **Jung Jin Kim**, Seoul (KR)

(73) Assignee: **HANLIM PHARMACEUTICAL CO., LTD.**, Gyeonggi-do (KR)

(**) Term: **14 Years**

(21) Appl. No.: **29/508,866**

(22) Filed: **Nov. 12, 2014**

(30) **Foreign Application Priority Data**

Oct. 20, 2014 (KR) 30-2014-0050200

(51) **LOC (10) Cl.** **09-07**

(52) **U.S. Cl.**
USPC **D9/453**; D9/434; D9/435; D9/447

(58) **Field of Classification Search**

USPC D3/202, 273, 275, 294; D6/300, 300.1, D6/316, 317, 387, 391, 392.1, 393, 396.2, D6/509, 510, 511, 531, 538, 541, 549, 629, D6/703, 900; D9/434, 435, 438, 439, 440, D9/443, 446, 447, 448, 449, 450, 452, 453, D9/454, 502, 503, 504, 529; D19/70, 71, D19/93, 163, 194; D26/36, 123, 124; 206/216, 538, 539, 546; 215/12.1, 42, 215/200, 217, 225, 226, 228, 230, 233, 235, 215/236, 237, 238, 249, 251, 253, 254, 305, 215/306, 321, 382; 220/254.2, 254.3, 220/254.5, 254.7, 254.9, 260, 264, 266, 220/285, 368, 521, 711, 714, 811, 812, 835, 220/837; 222/212, 254.5, 375, 484, 492, 222/494, 472, 480, 521, 544, 556, 810, 813, 222/835, 837

CPC A62C 31/02; B65D 1/02; B65D 1/0233; B65D 1/08; B65D 1/10; B65D 23/00; B65D 23/08; B65D 23/10; B65D 25/00; B65D 25/40; B65D 25/42; B65D 25/46; B65D

25/48; B65D 25/77; B65D 39/00; B65D 39/0047; B65D 41/00; B65D 43/00; B65D 43/02; B05B 17/00; B05B 15/002; A45D 34/00; A45D 34/042; A45D 2040/0006; A45D 2040/093

See application file for complete search history.

(56) **References Cited**

U.S. PATENT DOCUMENTS

D279,759 S * 7/1985 Cesaroni D7/391
4,967,941 A * 11/1990 Beck B65D 47/242
215/256

(Continued)

OTHER PUBLICATIONS

Internet Archive_Wayback Machine_Platypus Push-Pull Cap: Site visited Dec. 9, 2015 Available from Internet URL: http://web.archive.org/web/20090215000000*/http://www.cascadedesigns.com/platypus/platy-accessories/push-pull-cap/produc.*

(Continued)

Primary Examiner — Thomas Johannes
Assistant Examiner — Catherine Posthauer

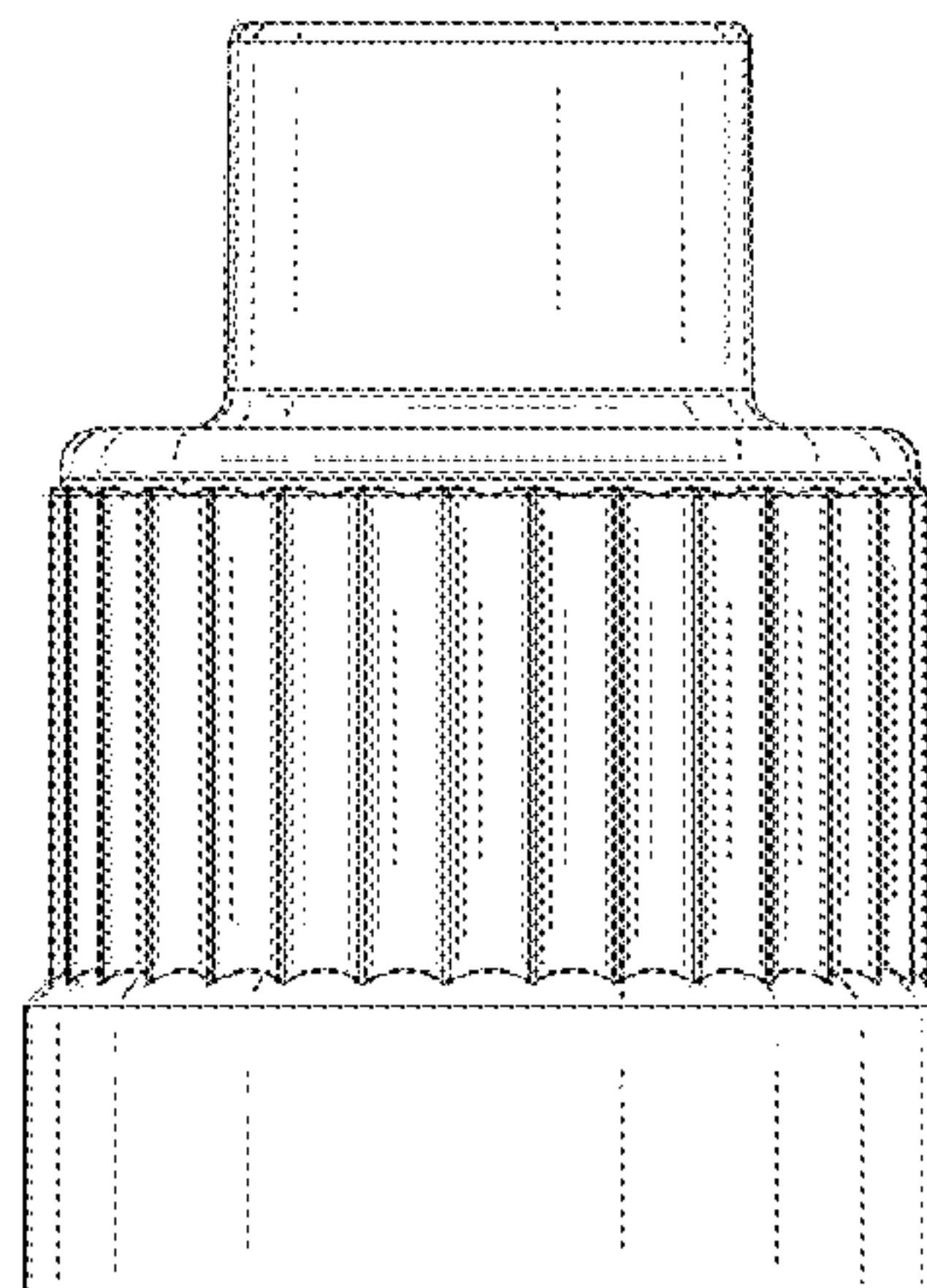
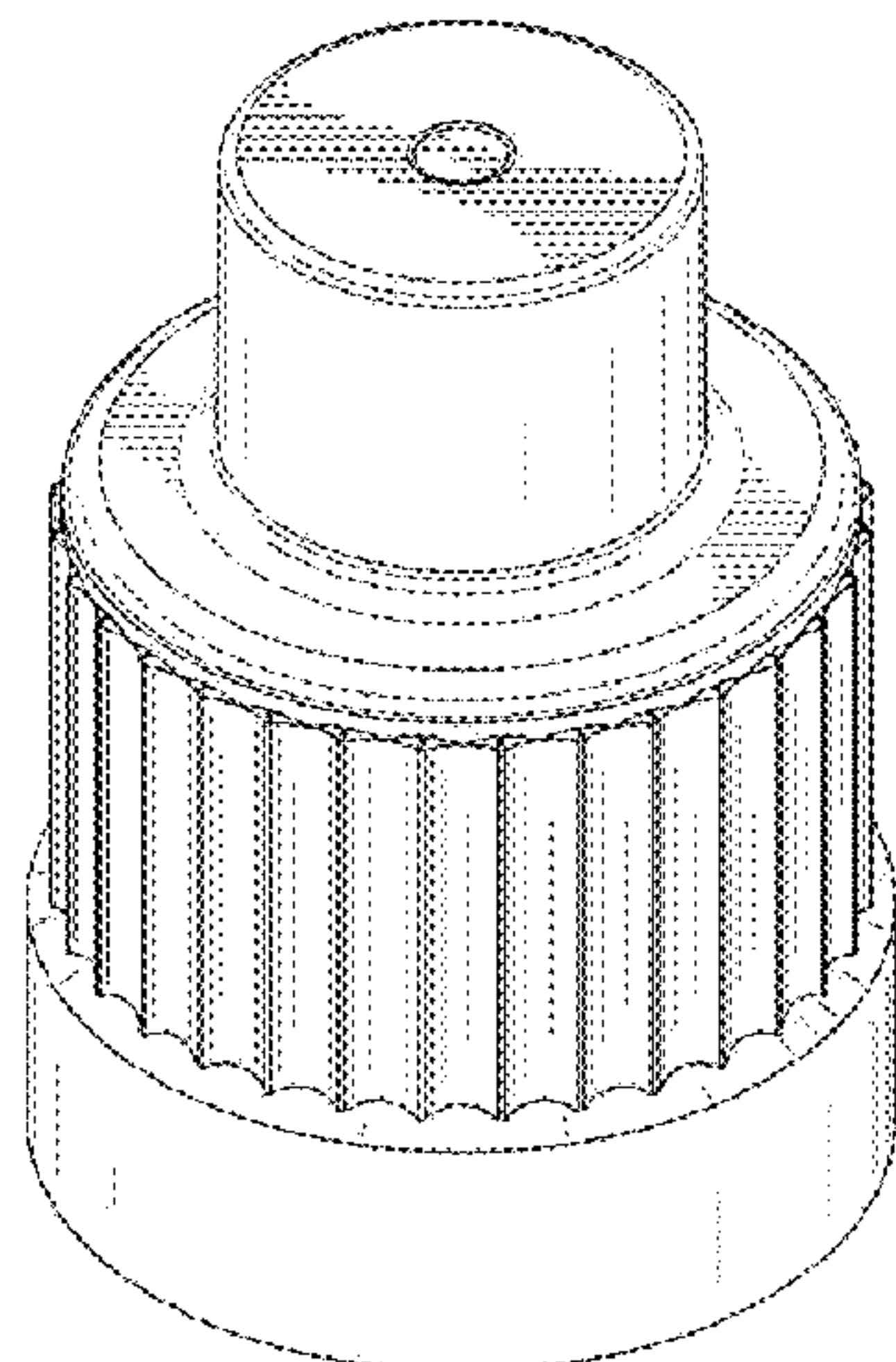
(57) **CLAIM**

The ornamental design for a safety cap, as shown and described.

DESCRIPTION

FIG. 1 is a perspective view of a safety cap according to the present invention;
FIG. 2 is a front view of the safety cap of FIG. 1, the rear, left, and right side views being a mirror image thereof;
FIG. 3 is a top plan view of the safety cap of FIG. 1; and,
FIG. 4 is a bottom plan view of the safety cap of FIG. 1.
The broken lines are shown for the purpose of illustrating parts of the safety cap that form no part of the claimed design.

1 Claim, 4 Drawing Sheets



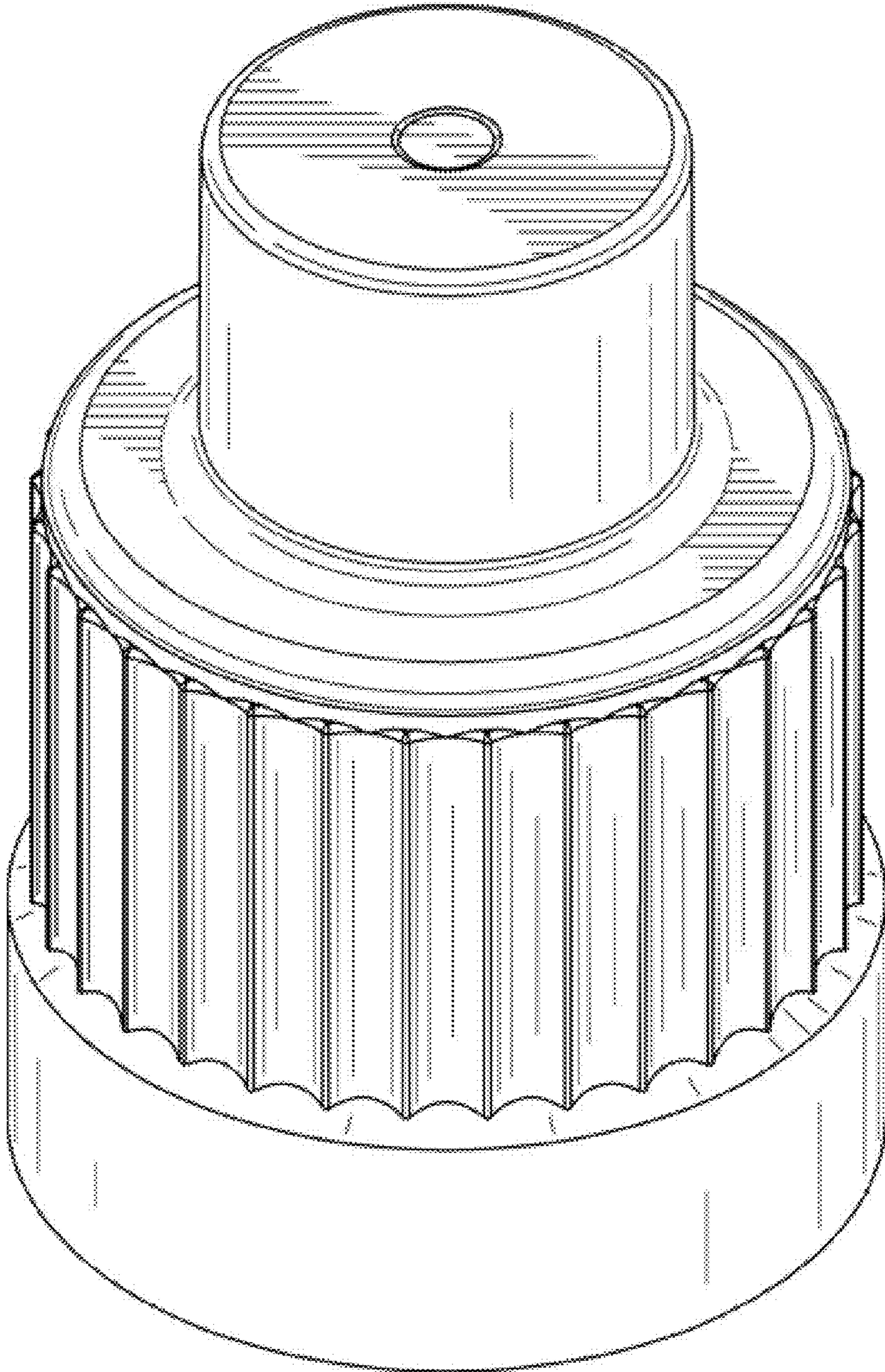


Fig. 1

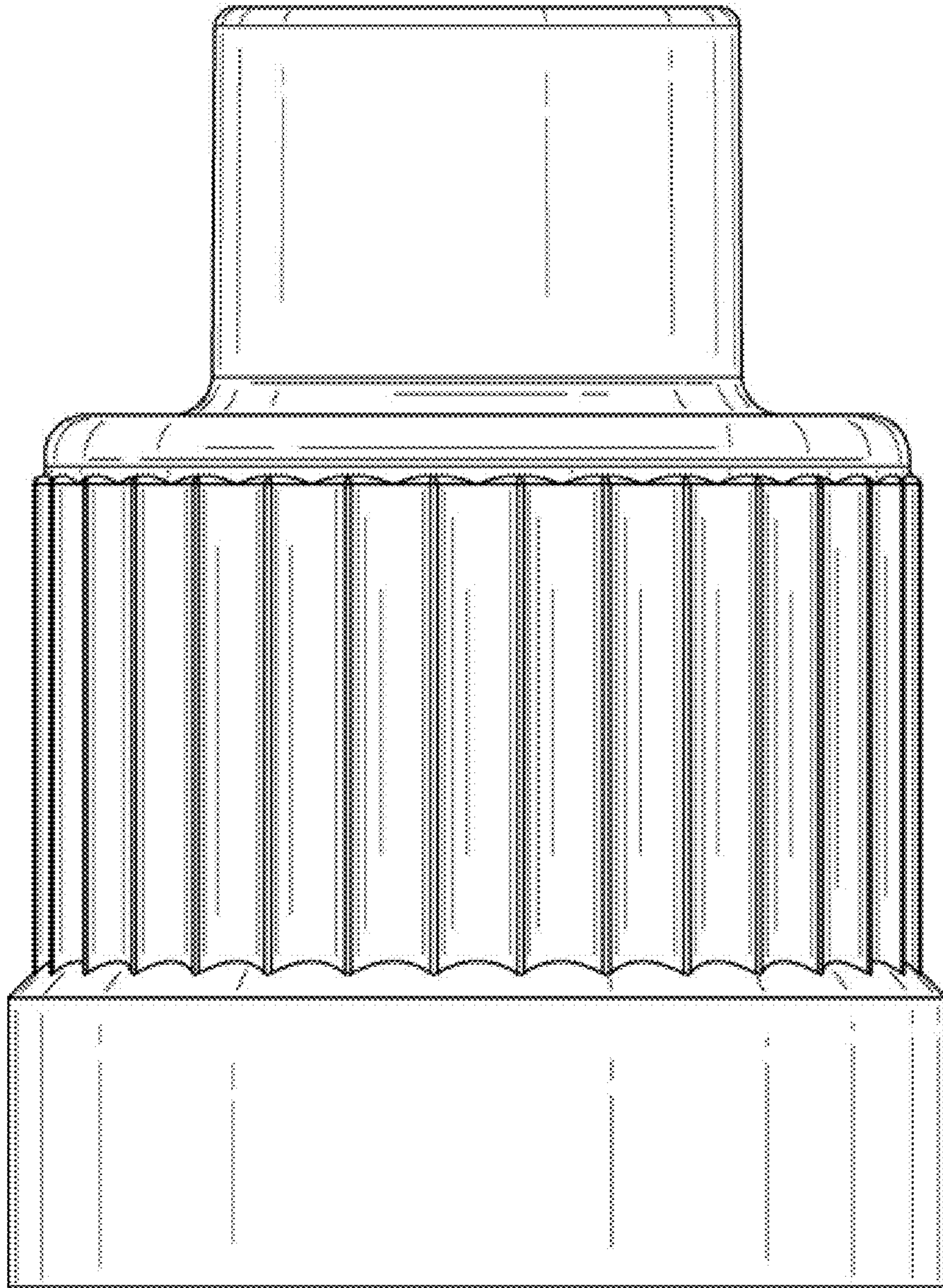


Fig. 2

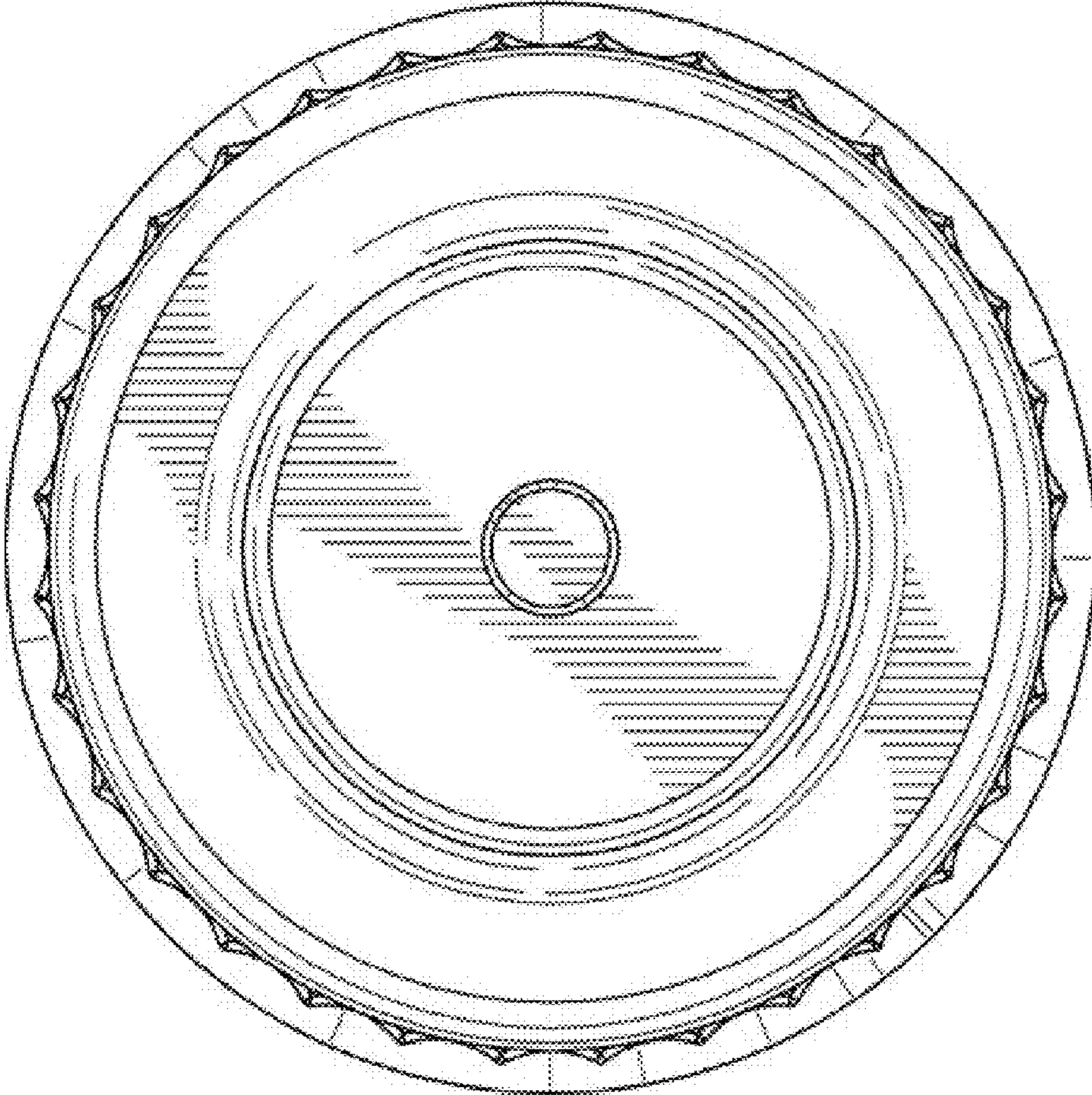


Fig. 3

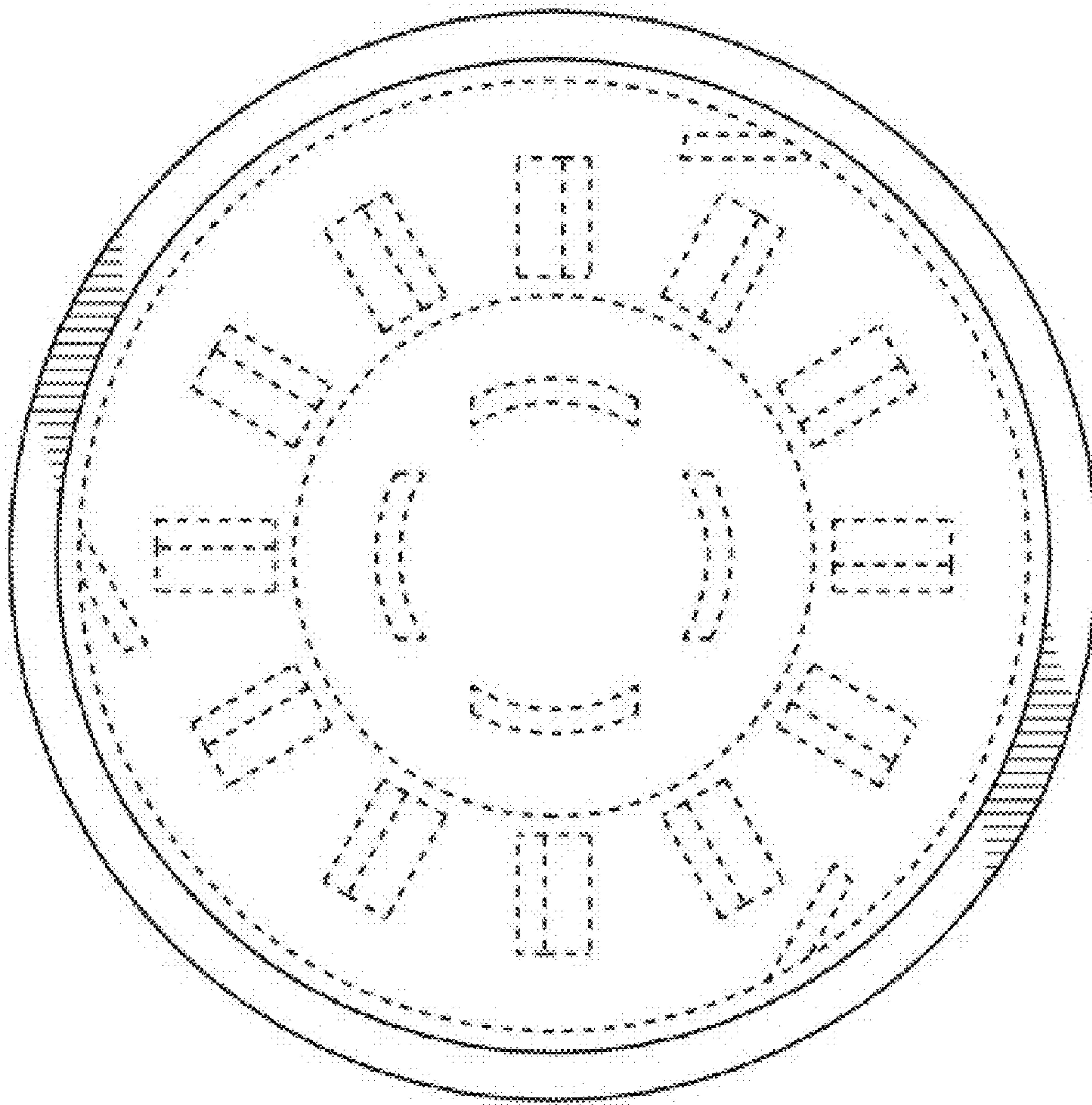


Fig. 4