

US00D768491S

(12) **United States Design Patent**
Sorensen et al.

(10) **Patent No.:** **US D768,491 S**

(45) **Date of Patent:** **** Oct. 11, 2016**

(54) **LID FOR A CONTAINER**

(71) Applicant: **RUNWAY BLUE, LLC**, Lehi, UT (US)

(72) Inventors: **Steve M. Sorensen**, Alpine, UT (US);
David O. Meyers, East Layton, UT (US)

(73) Assignee: **RUNWAY BLUE, LLC**, Lehi, UT (US)

(**) Term: **14 Years**

(21) Appl. No.: **29/514,766**

(22) Filed: **Jan. 15, 2015**

(51) **LOC (10) Cl.** **09-07**

(52) **U.S. Cl.**
USPC **D9/449; D7/392.1**

(58) **Field of Classification Search**
USPC D7/300, 300.1, 300.2, 303, 316, 317,
D7/396.2, 397, 398, 509, 510, 511, 392.1;
D9/738, 763, 778, 434, 435, 436, 439,
D9/440, 443, 444, 445, 447, 448, 449, 450,
D9/452, 453, 454
See application file for complete search history.

(56) **References Cited**

U.S. PATENT DOCUMENTS

2,573,378	A	10/1951	Zurlinden	
3,770,160	A	11/1973	Flider	
4,948,009	A	8/1990	Sawatani	
5,318,203	A	6/1994	Iaia et al.	
7,124,917	B2	10/2006	Lee	
D547,607	S *	7/2007	Forsman D7/396.2
D586,184	S *	2/2009	Miller D7/511
D626,837	S	11/2010	Meyers et al.	

(Continued)

OTHER PUBLICATIONS

U.S. Appl. No. 61/929,081, filed Jan. 19, 2014, Sorensen, et al.

(Continued)

Primary Examiner — Robert M Spear

Assistant Examiner — Marissa J Cash

(74) *Attorney, Agent, or Firm* — Maschoff Brennan

(57) **CLAIM**

The ornamental design for a lid for a container, as shown and described.

DESCRIPTION

FIG. 1 is a upper perspective view of a lid for a container, illustrating the lid in a closed position and illustrating the lid attached to an exemplary container;

FIG. 2 is an enlarged upper perspective view of the lid for a container shown in FIG. 1;

FIG. 3 is a front view of the lid for a container shown in FIG. 2;

FIG. 4 is a rear view of the lid for a container shown in FIG. 2;

FIG. 5 is a right side view of the lid for a container shown in FIG. 2, with the left side view being a mirror image thereof;

FIG. 6 is a top view of the lid for a container shown in FIG. 2;

FIG. 7 is a bottom view of the lid for a container shown in FIG. 2;

FIG. 8 is an enlarged upper perspective view of the lid for a container shown in FIG. 1, illustrating the lid in an exemplary open position;

FIG. 9 is a front view of the lid for a container shown in FIG. 8;

FIG. 10 is a rear view of the lid for a container shown in FIG. 8;

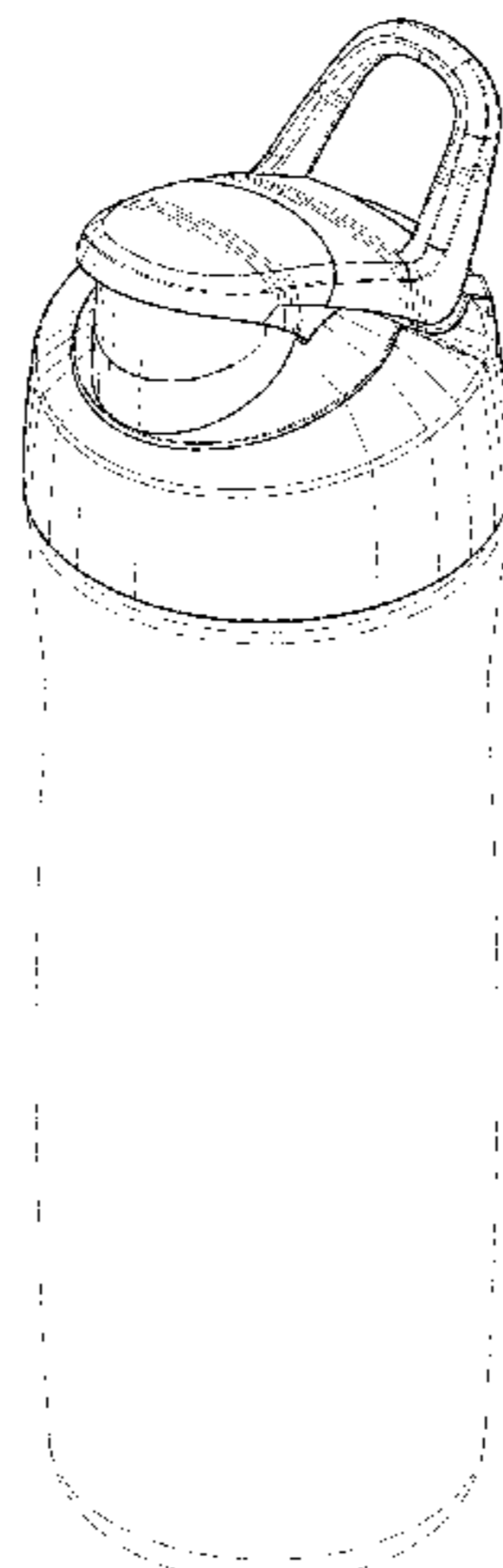
FIG. 11 is a right side view of the lid for a container shown in FIG. 8, with the left side view being a mirror image thereof;

FIG. 12 is a top view of the lid for a container shown in FIG. 8; and,

FIG. 13 is a bottom view of the lid for a container shown in FIG. 8.

The broken lines shown in the figures are for illustrative purposes only and form no part of the claimed design.

1 Claim, 13 Drawing Sheets



(56)

References Cited

U.S. PATENT DOCUMENTS

D626,838	S	11/2010	Meyers et al.	
D649,879	S *	12/2011	Gullickson	D9/443
D652,256	S *	1/2012	Eyal	D7/510
8,146,770	B2	4/2012	Newman	
D677,121	S	3/2013	Meyers et al.	
D679,541	S *	4/2013	Samartgis	D7/392.1
D682,034	S *	5/2013	El-Saden	D7/510
D696,551	S	12/2013	Meyers et al.	
D707,124	S *	6/2014	Blain	D9/443
D716,657	S *	11/2014	Caneer	D9/443
D719,780	S *	12/2014	Sullivan	D7/392.1
D721,276	S *	1/2015	Herbst	D7/396.2
D723,328	S *	3/2015	Steel	D7/396.2
D723,332	S *	3/2015	Steel	D7/510
D727,093	S *	4/2015	Lapsker	D7/396.2
D729,569	S *	5/2015	Herbst	D7/392
D730,694	S *	6/2015	Elsaden	D7/511
D740,605	S *	10/2015	Wodka	D7/396.2
D741,637	S *	10/2015	Palermo	D7/300.1
D742,230	S *	11/2015	Charles	D7/396.2
2002/0179604	A1	12/2002	Germain et al.	
2003/0052126	A1 *	3/2003	Zettle et al.	
2006/0226110	A1 *	10/2006	Choi	B65D 47/065 215/228
2008/0099514	A1	5/2008	Carter et al.	
2010/0224631	A1 *	9/2010	Roth	B65D 45/025 220/288
2011/0017760	A1	1/2011	Newman	
2011/0253733	A1 *	10/2011	Meyers	B65D 47/089 220/833
2012/0055818	A1	3/2012	Zimmern	

2013/0062304	A1	3/2013	Meyers et al.	
2014/0263324	A1 *	9/2014	Latham	B65D 51/18 220/259.1
2014/0360908	A1 *	12/2014	Sorensen	B65D 21/0228 206/501
2015/0201773	A1 *	7/2015	Sorensen	A47J 43/27 220/254.5
2015/0201774	A1 *	7/2015	Sorensen	A47G 19/2272 220/715
2015/0201775	A1 *	7/2015	Sorensen	A47G 19/2266 222/482

OTHER PUBLICATIONS

U.S. Appl. No. 29/497,736, filed Jan. 19, 2014, Sorensen, et al.
 U.S. Appl. No. 29/497,737, filed Jan. 19, 2014, Sorensen, et al.
 U.S. Appl. No. 61/944,536, filed Feb. 25, 2014, Sorensen, et al.
 U.S. Appl. No. 62/004,673, filed May 29, 2014, Sorensen, et al.
 U.S. Appl. No. 14/598,075, filed Jan. 15, 2015, Sorensen, et al.
 U.S. Appl. No. 14/598,087, filed Jan. 15, 2015, Sorensen, et al.
 U.S. Appl. No. 14/598,090, filed Jan. 15, 2015, Sorensen, et al.
 U.S. Appl. No. 29/457,096, filed Jun. 6, 2013, Sorensen, et al.
 U.S. Appl. No. 29/479,736, filed Jan. 19, 2014, Sorensen, et al.
 International Search Report and Written Opinion from PCT Application No. PCT/US2015/011775 dated May 4, 2015.
 International Search Report and Written Opinion from PCT Application No. PCT/US2015/011777 dated May 8, 2015.
 International Search Report and Written Opinion from PCT Application No. PCT/US2015/011780 dated May 11, 2015.
 Office Action from U.S. Appl. No. 29/497,736 dated Jun. 4, 2015.

* cited by examiner

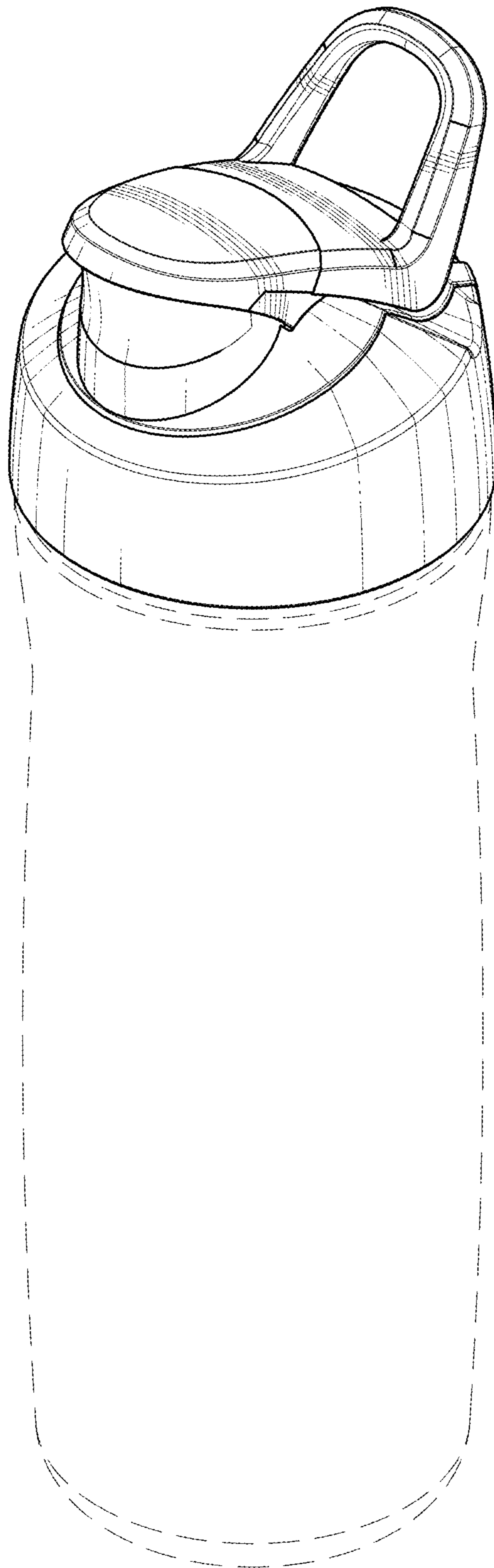


Fig. 1

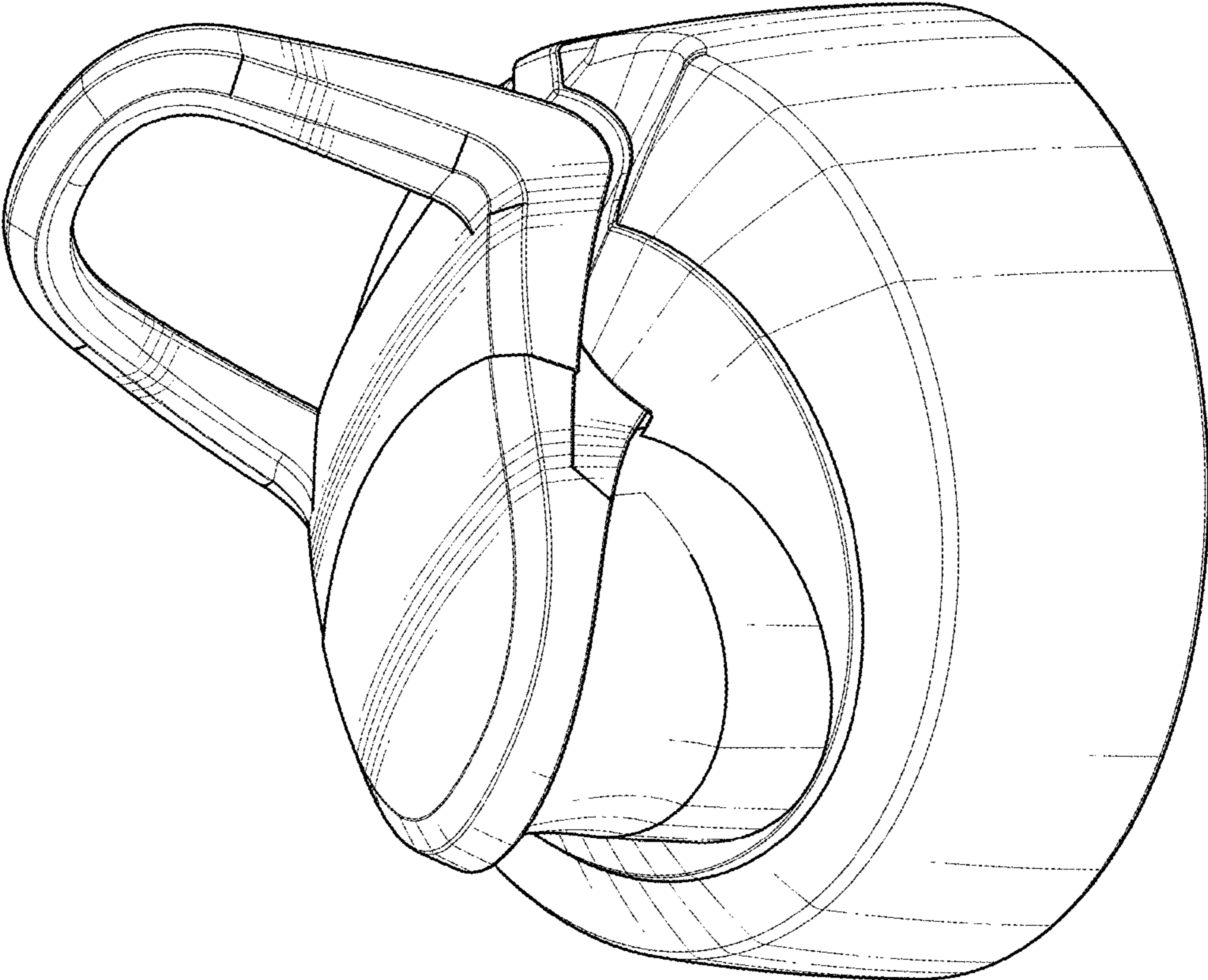


Fig. 2

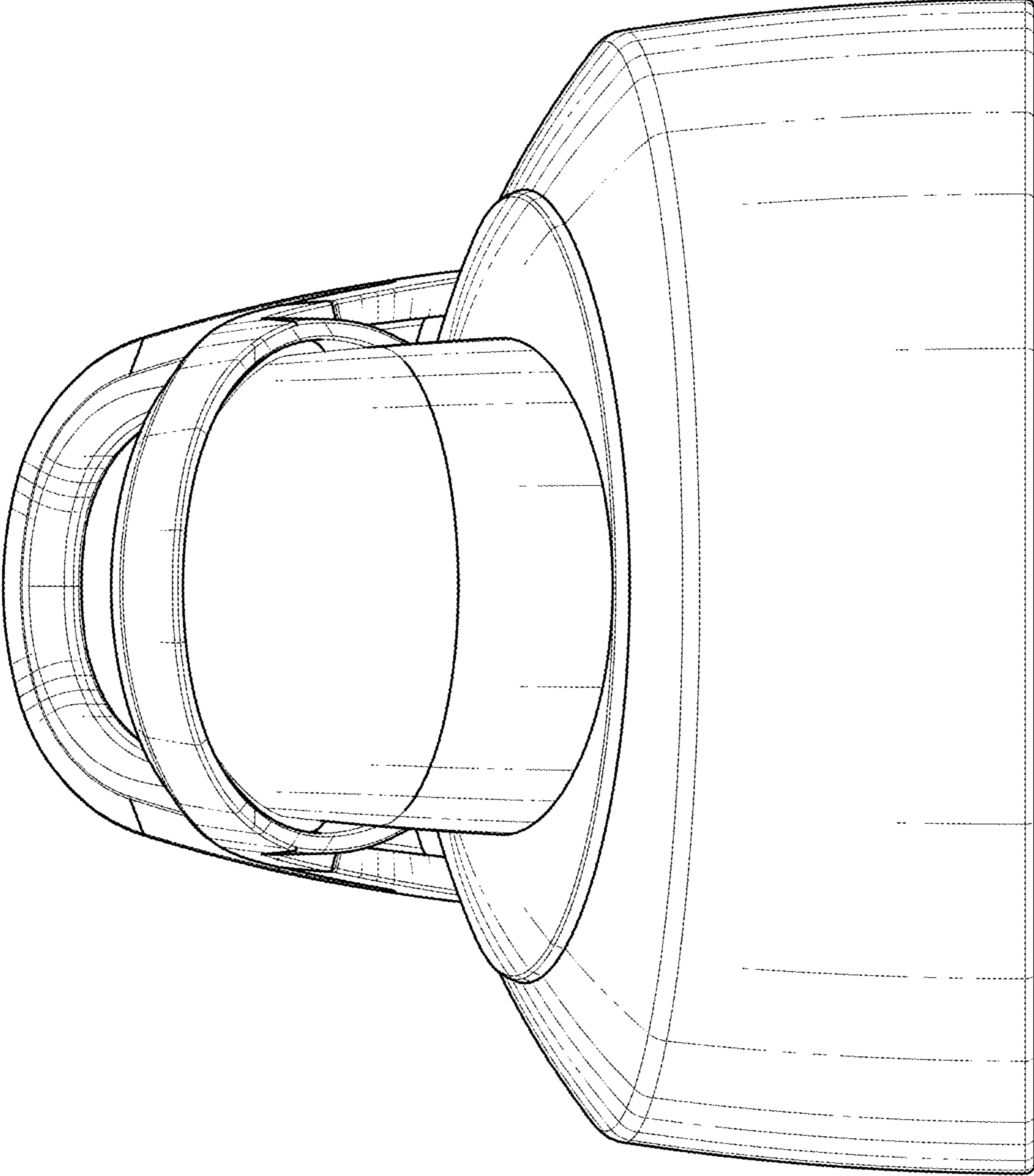


Fig. 3

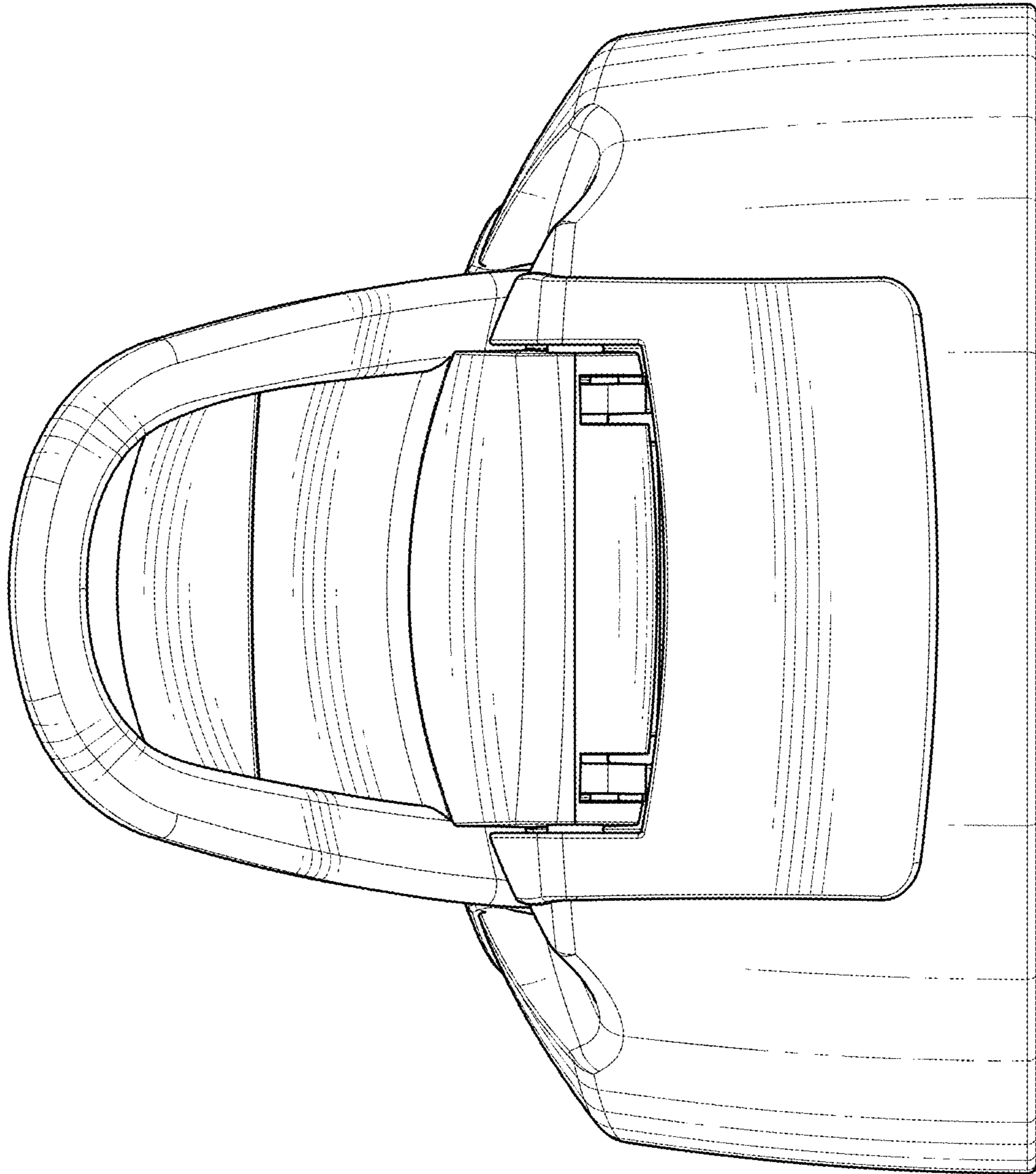


Fig. 4

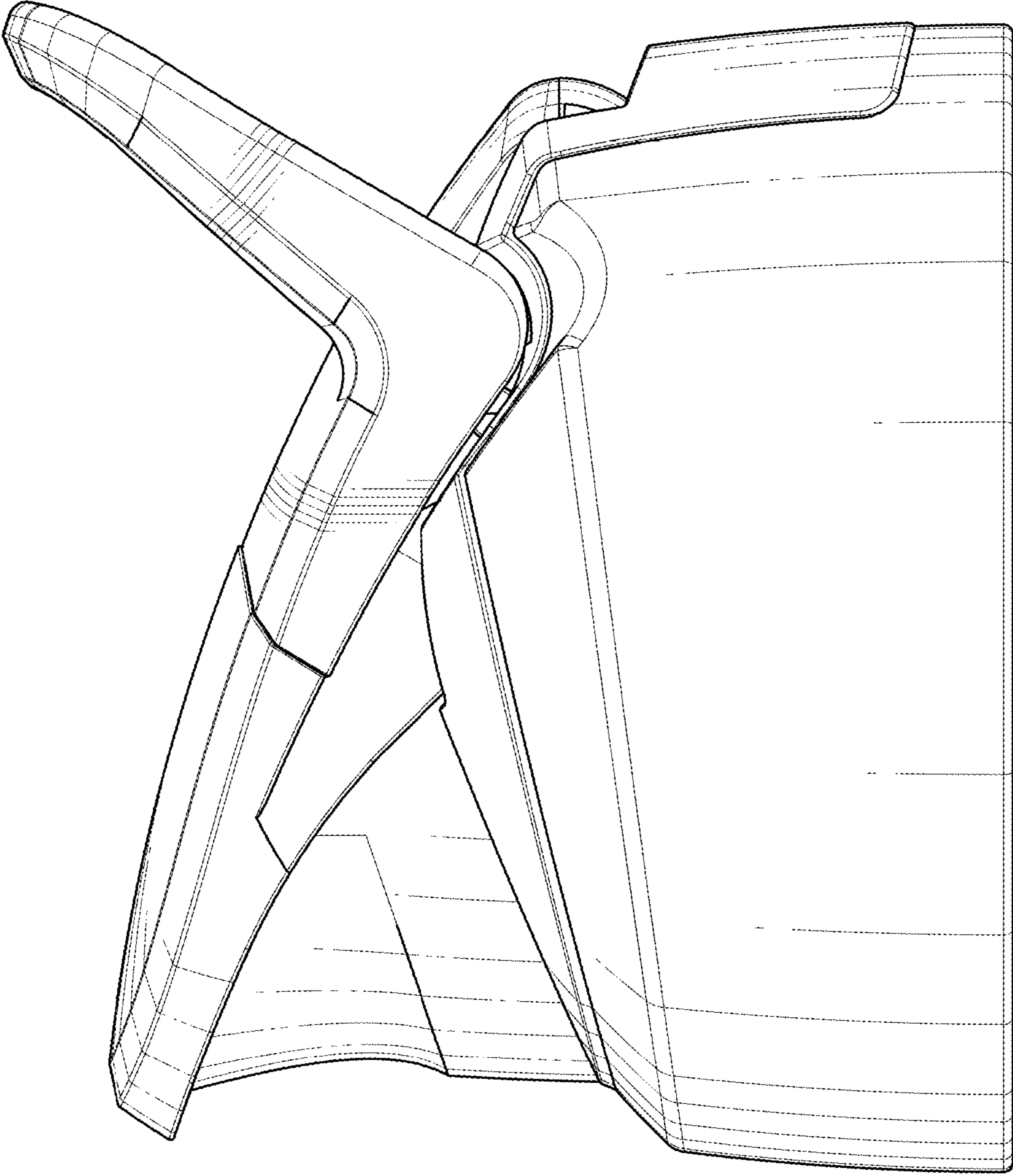


Fig. 5

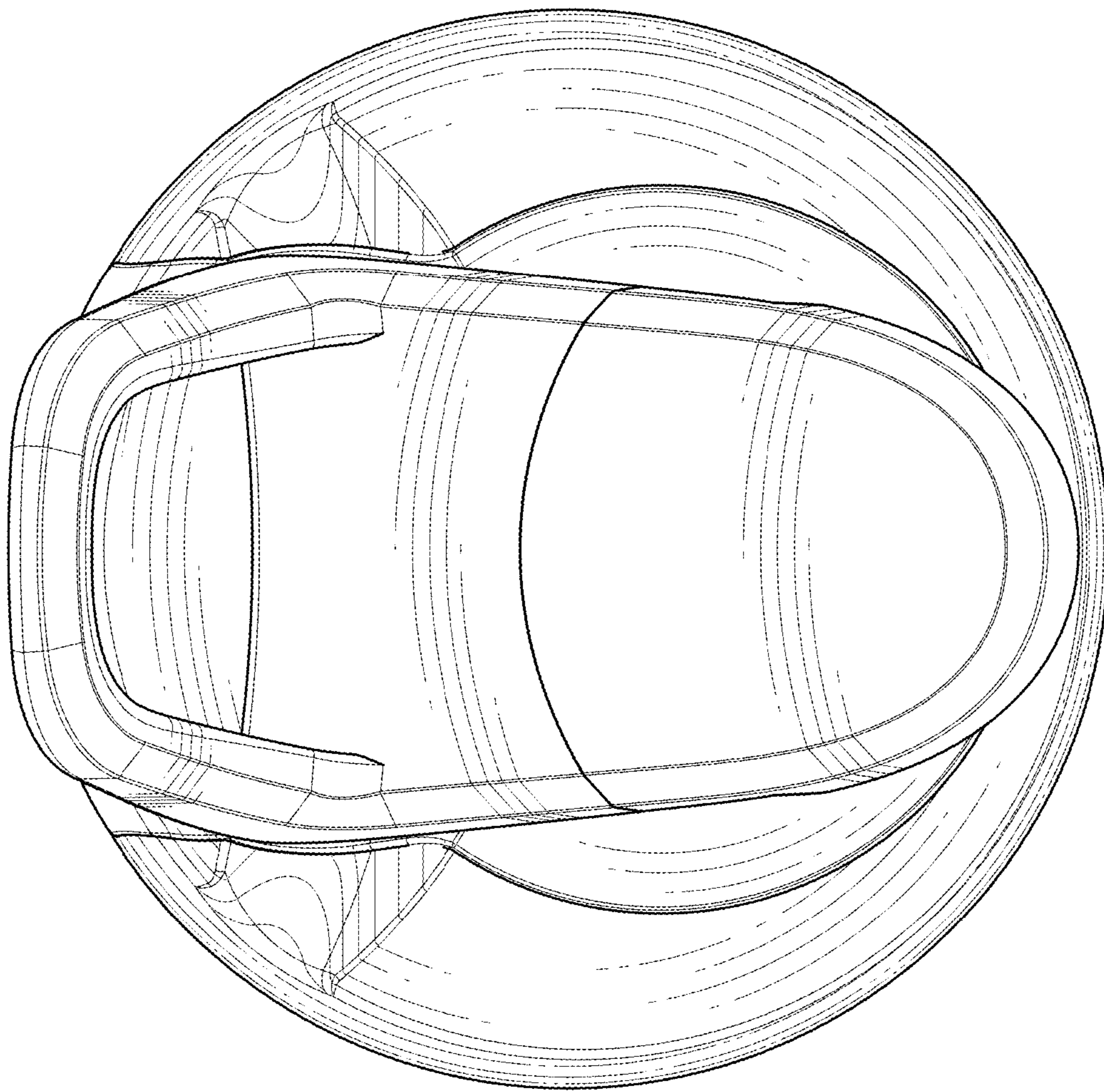


Fig. 6

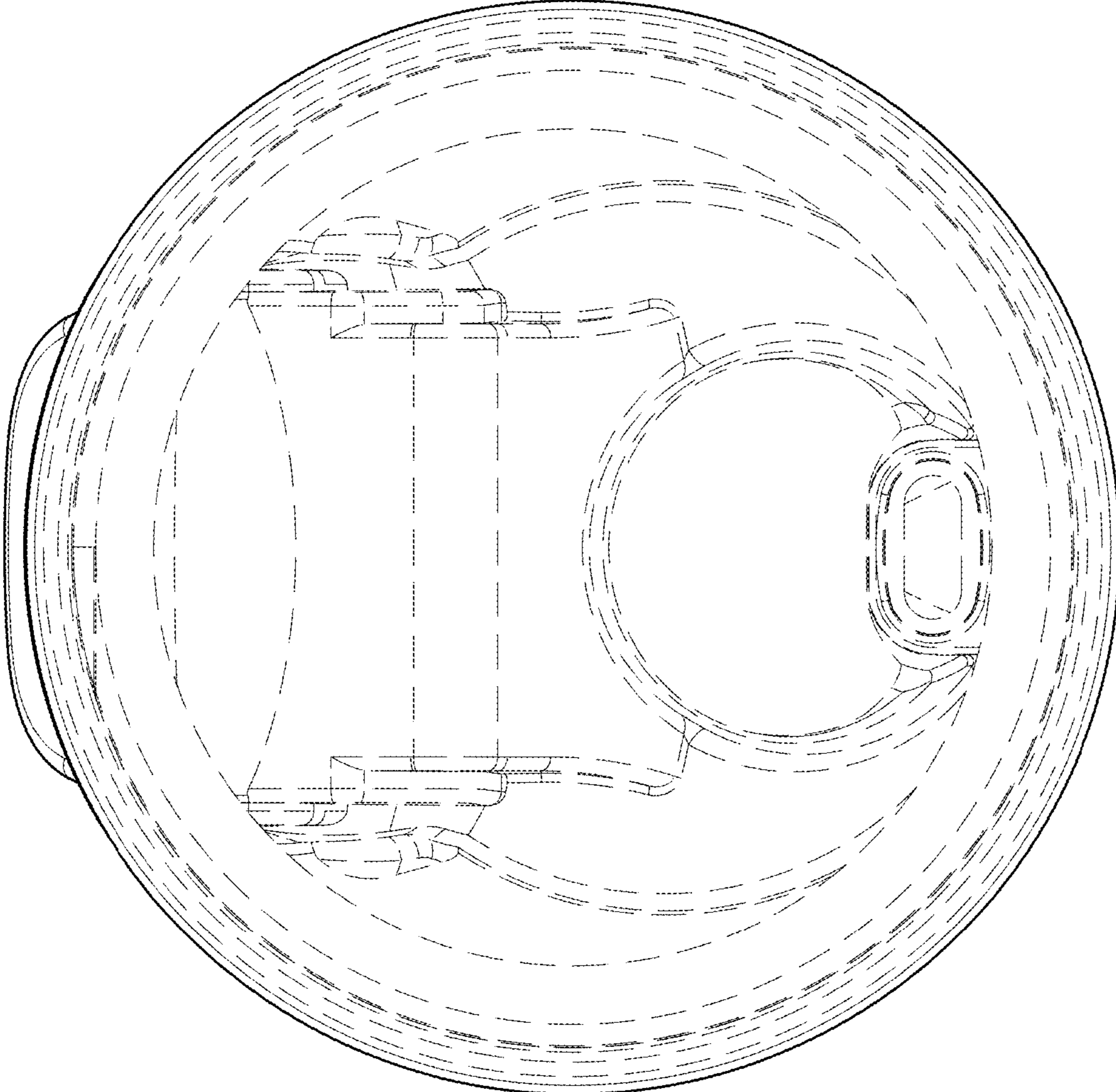


Fig. 7

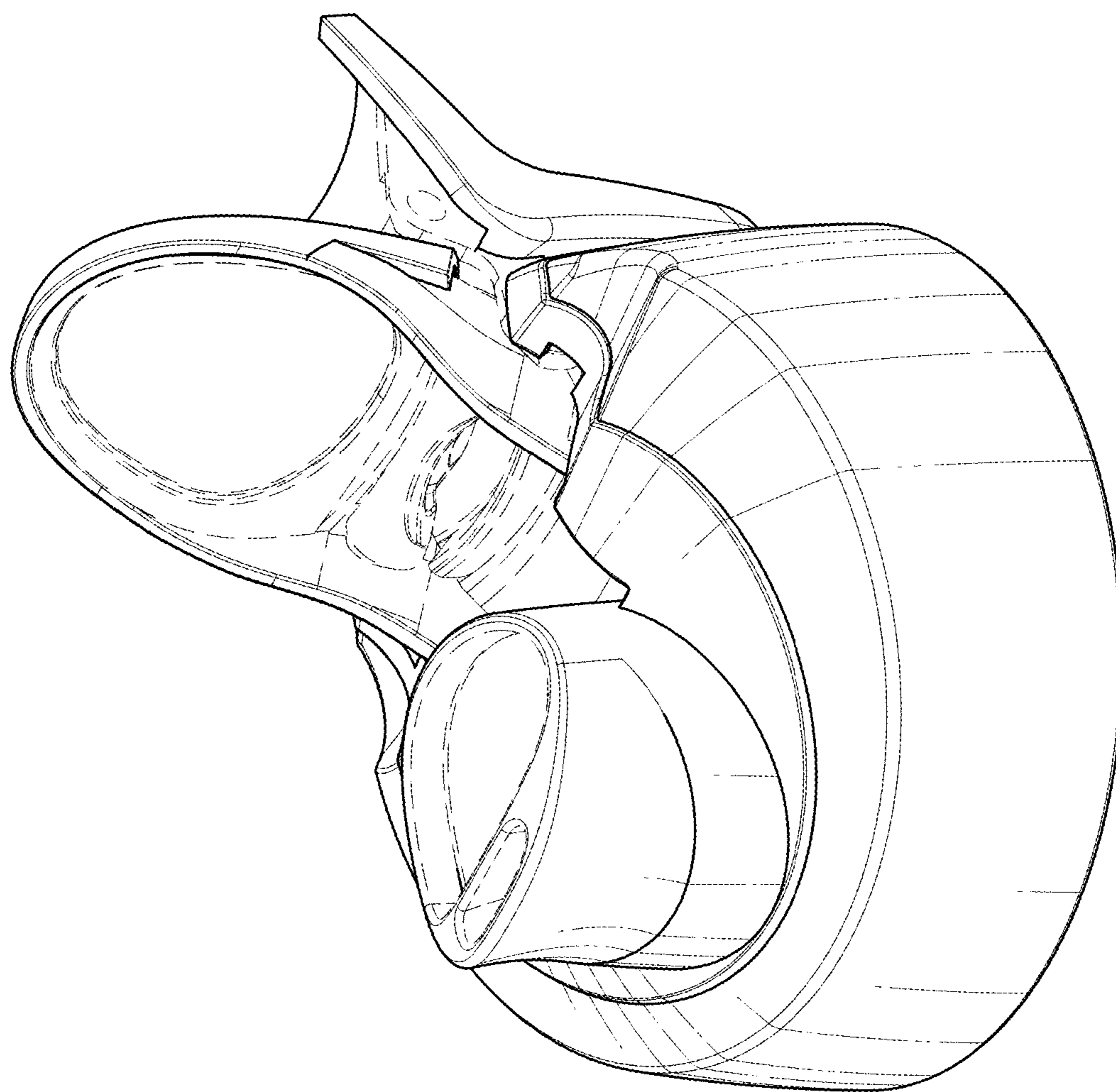


Fig. 8

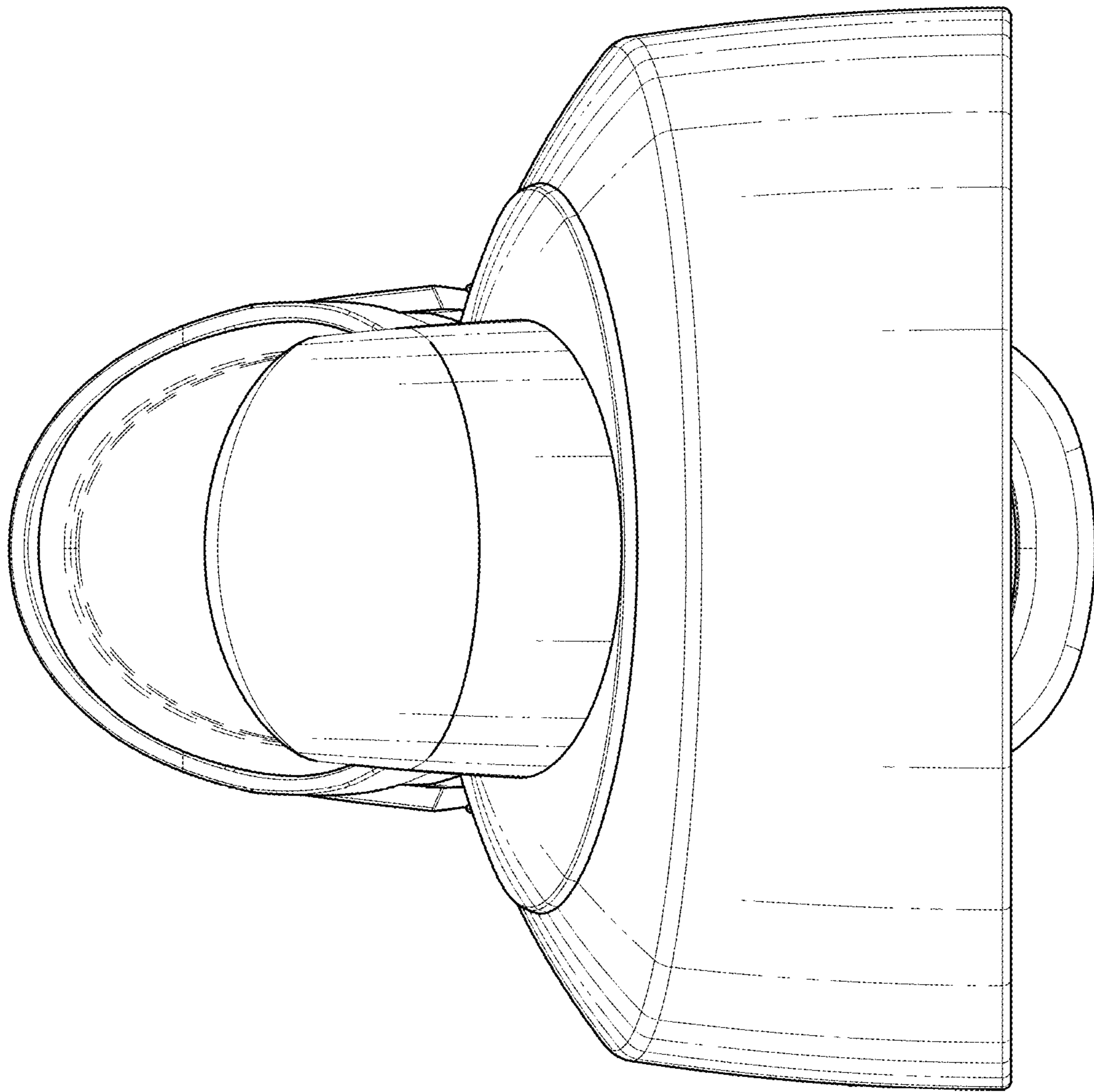


Fig. 9

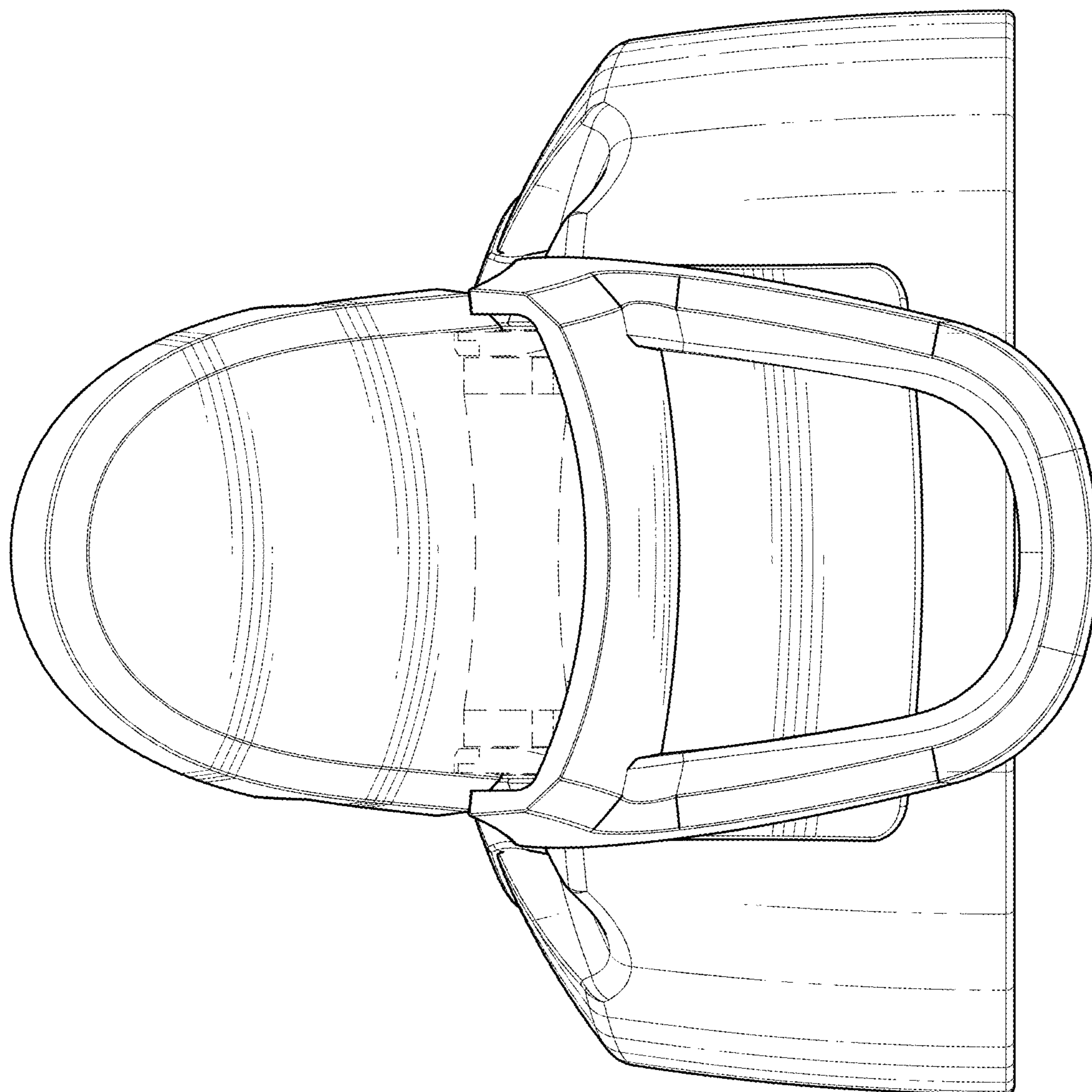


Fig. 10

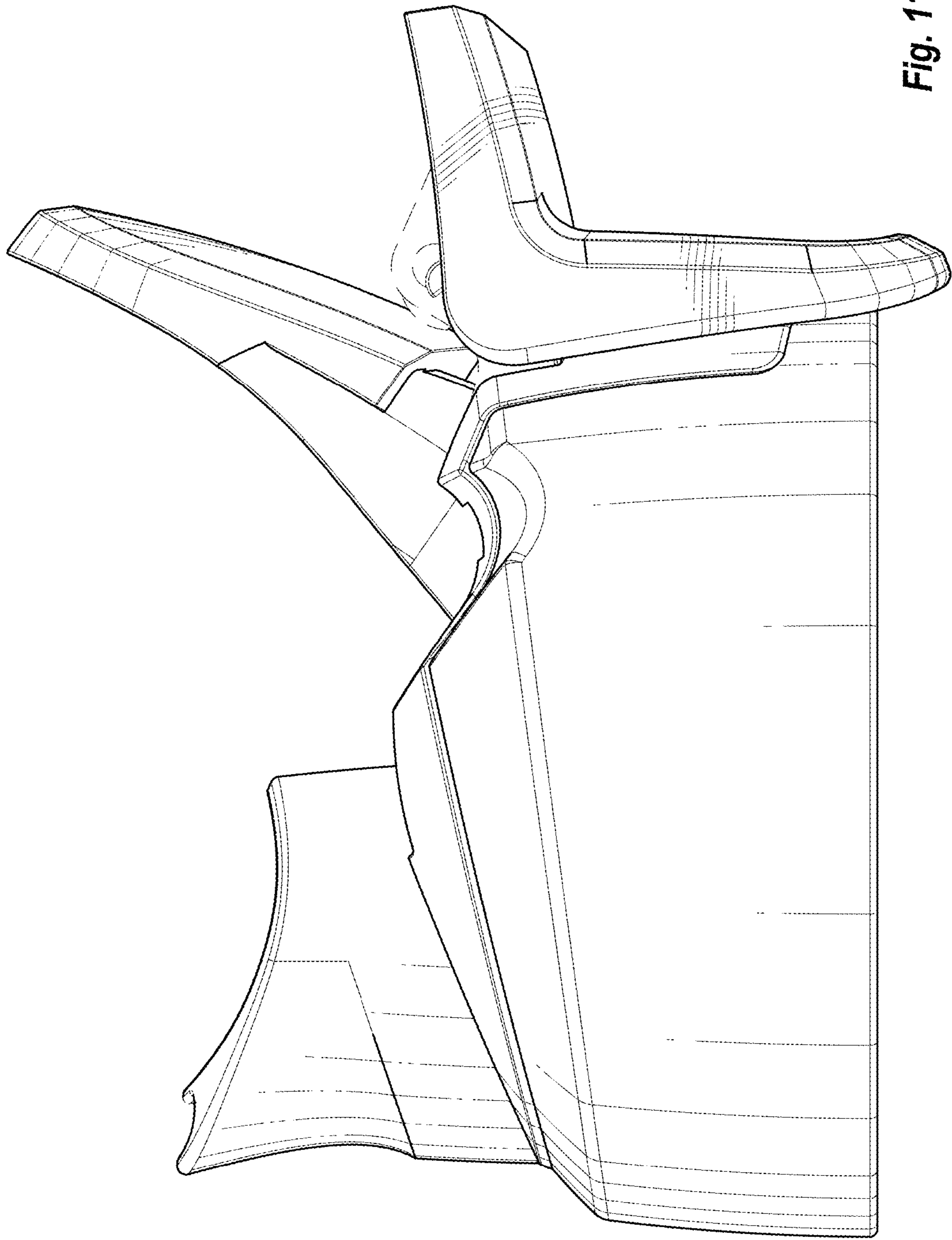


Fig. 11

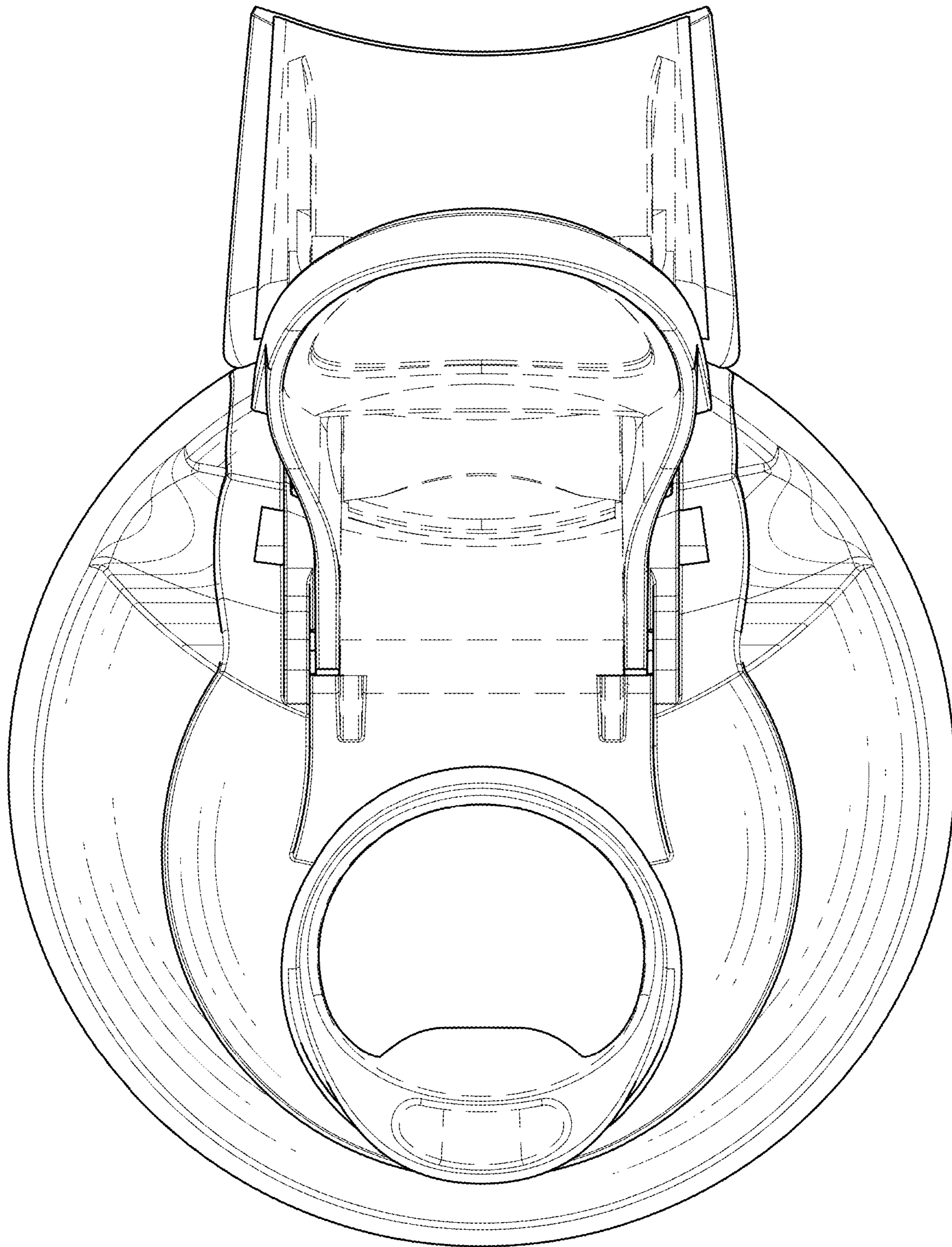


Fig. 12

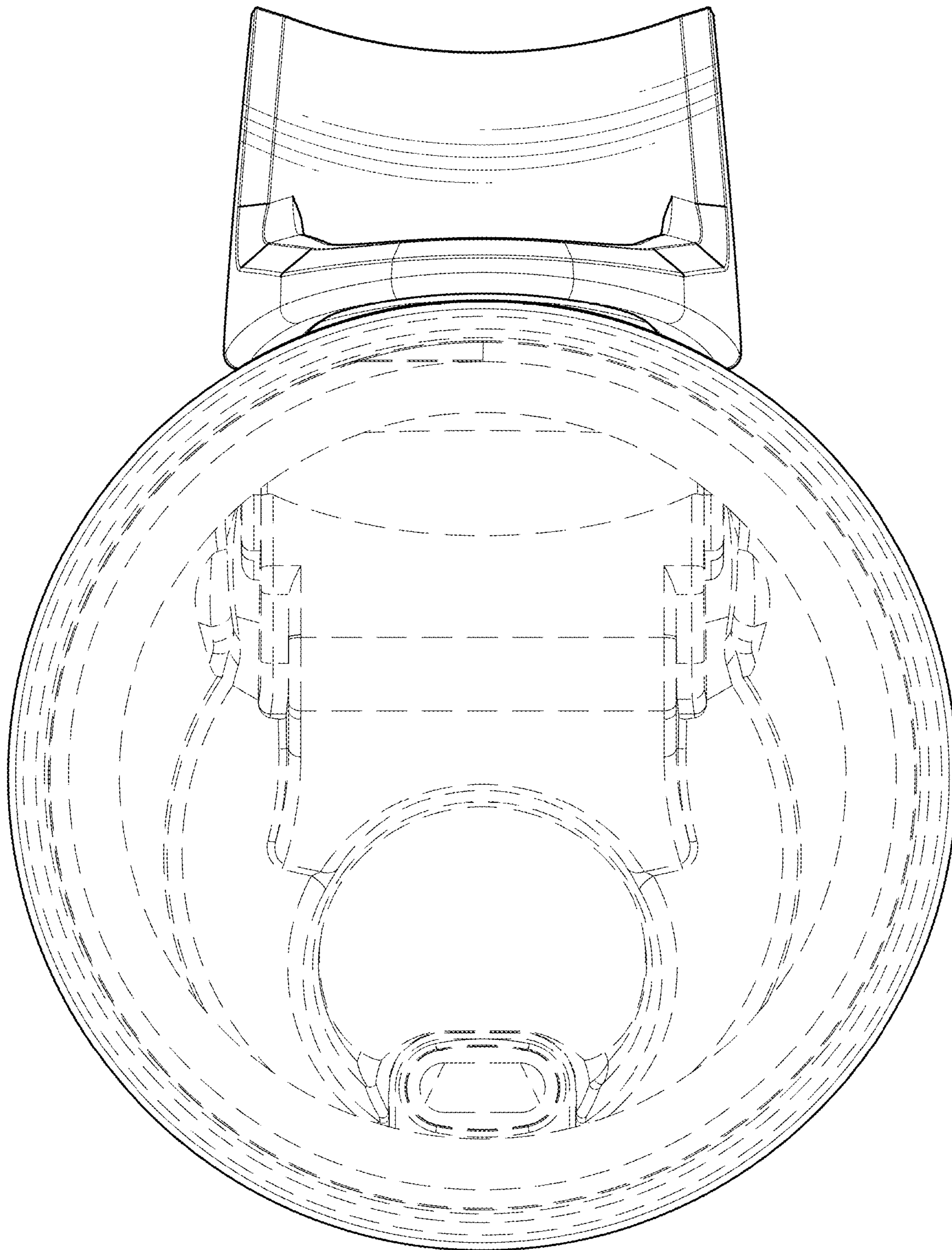


Fig. 13

UNITED STATES PATENT AND TRADEMARK OFFICE
CERTIFICATE OF CORRECTION

PATENT NO. : D768,491 S
APPLICATION NO. : 29/514766
DATED : October 11, 2016
INVENTOR(S) : Sorensen et al.

Page 1 of 1

It is certified that error appears in the above-identified patent and that said Letters Patent is hereby corrected as shown below:

On the Title Page

In item (72), under “Inventors”, in Column 1, Line 1, delete “Steve” and insert -- Steven --, therefor.

In item (57), under “DESCRIPTION”, in Column 2, Line 1, delete “a upper” and insert -- an upper --, therefor.

Signed and Sealed this
Twenty-fifth Day of July, 2017



Joseph Matal
*Performing the Functions and Duties of the
Under Secretary of Commerce for Intellectual Property and
Director of the United States Patent and Trademark Office*