



US00D768490S

(12) **United States Design Patent**
Robinson et al.

(10) **Patent No.:** **US D768,490 S**
(45) **Date of Patent:** **** Oct. 11, 2016**

- (54) **CLOSURE**
- (71) Applicant: **COLGATE-PALMOLIVE COMPANY**, New York, NY (US)
- (72) Inventors: **Michael P. Robinson**, Brooklyn, NY (US); **Brian G. Worthington**, Dunellen, NJ (US)
- (73) Assignee: **Colgate-Palmolive Company**, New York, NY (US)
- (**) Term: **14 Years**
- (21) Appl. No.: **29/494,026**
- (22) Filed: **Jun. 17, 2014**
- (51) **LOC (10) Cl.** **09-07**
- (52) **U.S. Cl.**
USPC **D9/449**
- (58) **Field of Classification Search**
USPC D7/392.1, 396.2; D9/435, 436, 440, D9/443, 445, 446, 447, 448, 450, 452, 453, D9/454
CPC B65D 47/32; B65D 47/243; B65D 83/28; B65D 43/0212; B65D 55/024; B65D 47/0809; B65D 2251/105
See application file for complete search history.

(56) **References Cited**

U.S. PATENT DOCUMENTS

D201,222 S	5/1965	Wilson	
D204,511 S	4/1966	Leeds et al.	
D212,463 S	* 10/1968	Vanderhyde	D9/450
D223,900 S	6/1972	Douglas et al.	
3,741,447 A	6/1973	Miles et al.	
D233,507 S	11/1974	Stevens, Jr.	
D265,060 S	* 6/1982	Blank	D9/446
D280,604 S	9/1985	Johnson et al.	
4,550,862 A	11/1985	Barker et al.	
4,666,068 A	5/1987	Bush	
4,696,416 A	9/1987	Muckenfuhs et al.	

4,749,108 A	6/1988	Dornsbusch et al.
D306,265 S	2/1990	Leebeek
D306,701 S	3/1990	Beck et al.
D319,588 S	9/1991	Beck et al.
5,261,569 A	11/1993	Sandwell

(Continued)

FOREIGN PATENT DOCUMENTS

AU	308805	8/2006
AU	338161	8/2011

(Continued)

Primary Examiner — Robert M Spear

(57) **CLAIM**

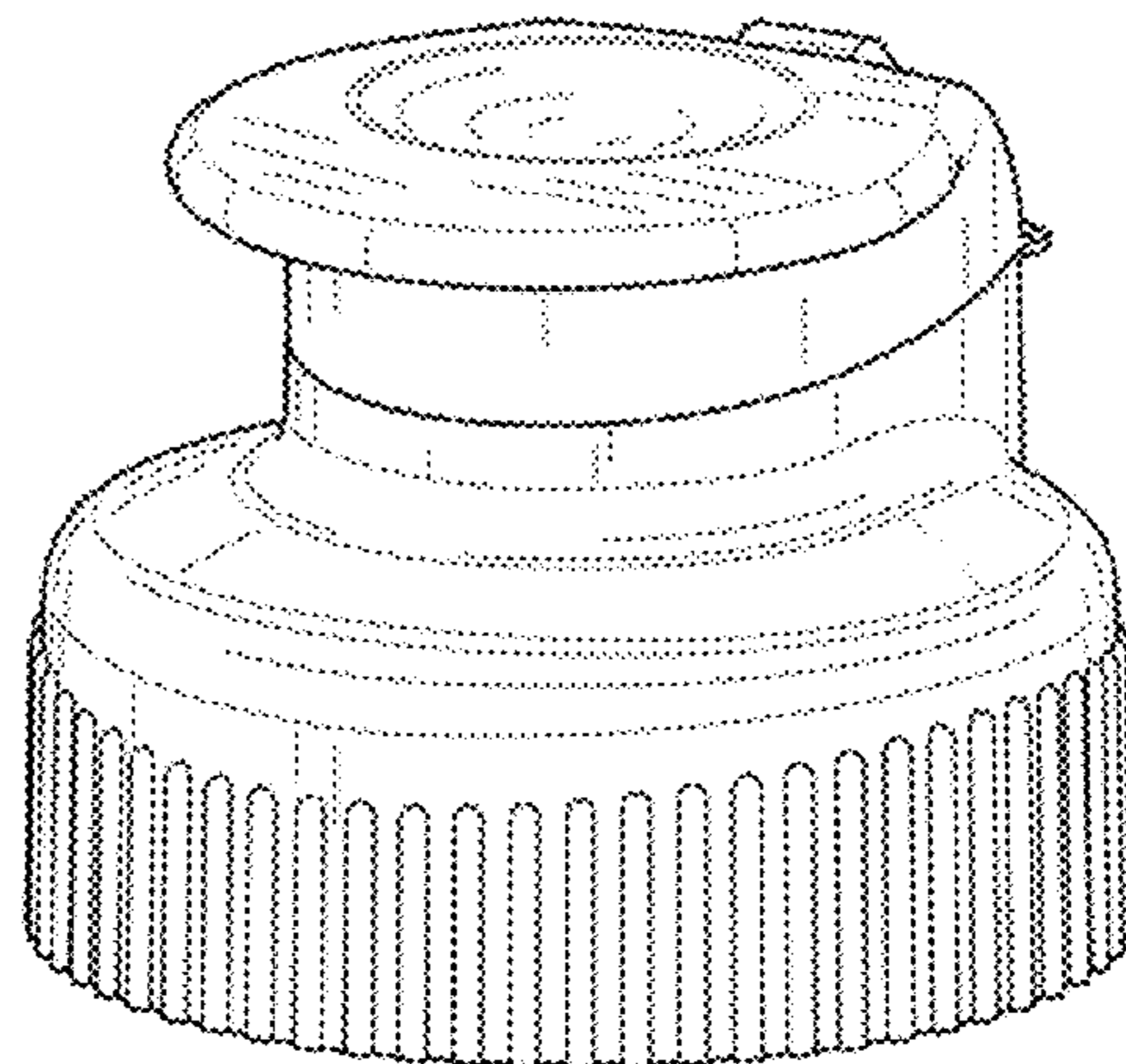
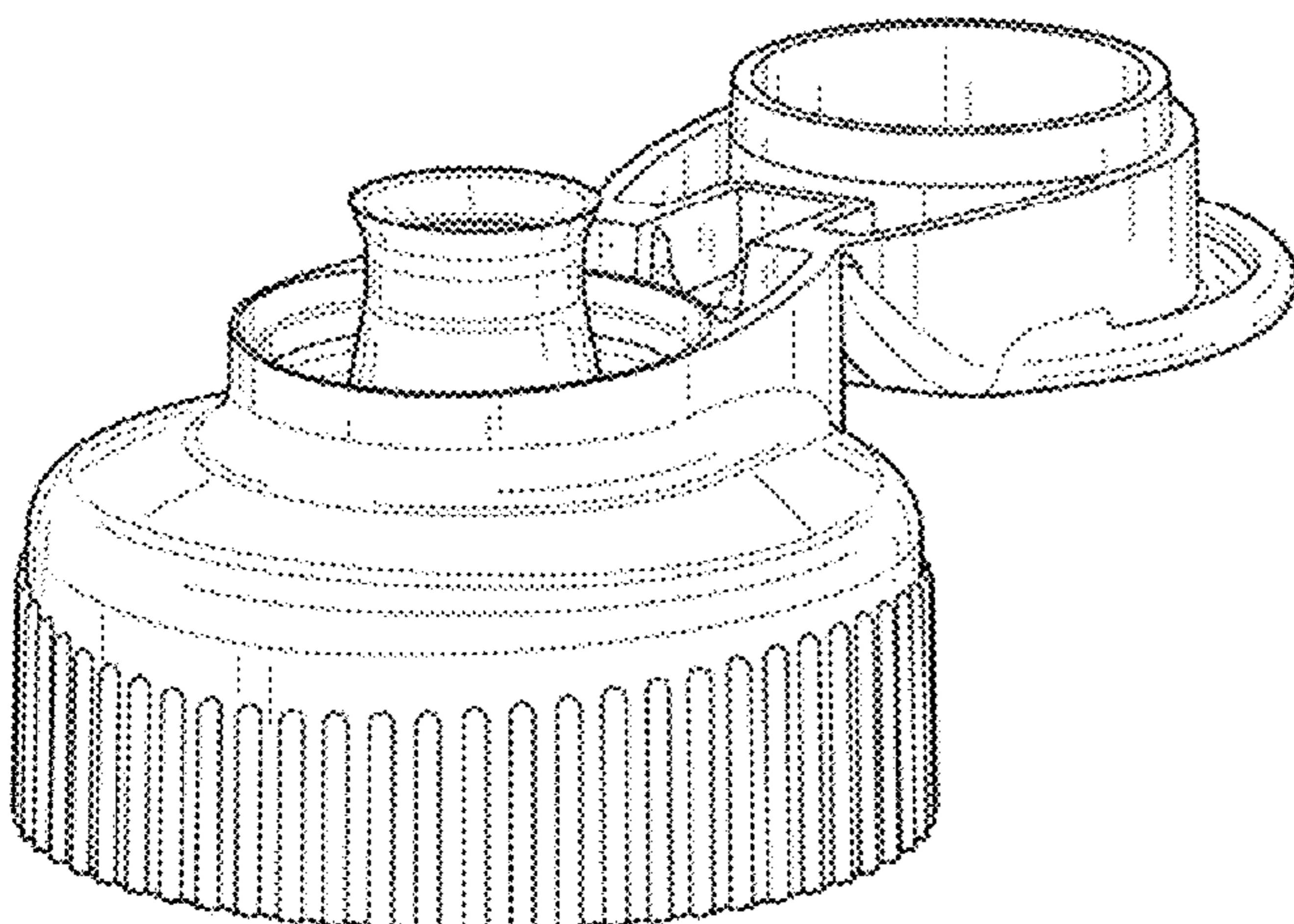
The ornamental design for a closure, as shown and described.

DESCRIPTION

FIG. 1 is a front perspective view of a closure according to the new design, the closure being shown in an open state; FIG. 2 is a rear perspective view thereof; FIG. 3 is a front elevational view thereof; FIG. 4 is a rear elevational view thereof; FIG. 5 is a left side elevational view thereof; FIG. 6 is a right side elevational view thereof; FIG. 7 is a top plan view thereof; FIG. 8 is a bottom plan view thereof; FIG. 9 is a front perspective view of the closure of FIG. 1, being shown in a closed state; FIG. 10 is a rear perspective view thereof; FIG. 11 is a front elevational view thereof; FIG. 12 is a rear elevational view thereof; FIG. 13 is a left side elevational view thereof; FIG. 14 is a right side elevational view thereof; FIG. 15 is a top plan view thereof; and, FIG. 16 is a bottom plan view thereof.

All broken lines of FIGS. 7, 8, and 16 are included to show unclaimed subject matter only and form no part of the claimed design.

1 Claim, 8 Drawing Sheets



(56)

References Cited

U.S. PATENT DOCUMENTS

D362,186 S * 9/1995 Thanisch D9/446
 D367,424 S * 2/1996 Thanisch D9/446
 D381,243 S * 7/1997 Goto D7/392
 5,657,891 A 8/1997 Bilani et al.
 D390,462 S 2/1998 Mao
 D399,744 S 10/1998 Gross et al.
 D418,364 S 1/2000 Demore et al.
 D419,451 S 1/2000 Briere et al.
 D440,494 S 4/2001 Sagel et al.
 D444,384 S 7/2001 Crawford et al.
 D476,568 S 7/2003 Mechtold et al.
 D481,947 S 11/2003 Levesque et al.
 6,644,487 B2 11/2003 Smith et al.
 D489,616 S 5/2004 Bakic et al.
 D492,597 S 7/2004 Norris et al.
 D503,886 S 4/2005 Biesecker
 D504,818 S 5/2005 Bakic et al.
 D508,402 S 8/2005 Hierzer et al.
 D509,136 S 9/2005 Walters
 D519,029 S 4/2006 Hicks et al.
 D530,611 S * 10/2006 Nusbaum D9/446
 D531,504 S 11/2006 Norris et al.
 D534,801 S * 1/2007 McMurrey D9/448
 D537,716 S 3/2007 Smith et al.
 D538,161 S 3/2007 Smith et al.
 D538,162 S 3/2007 Smith et al.
 D554,995 S 11/2007 Saint-Ignan et al.
 D556,575 S * 12/2007 Nusbaum D9/446
 D580,756 S 11/2008 Seebold et al.
 D580,762 S 11/2008 Wilson et al.
 D585,741 S 2/2009 Wilson et al.
 D610,454 S 2/2010 Lohrman et al.
 D617,192 S 6/2010 Casey et al.
 D617,193 S 6/2010 Casey et al.
 D619,001 S 7/2010 McKinney et al.
 D619,002 S 7/2010 Casey et al.
 D628,483 S * 12/2010 McKinney D9/449
 D640,134 S * 6/2011 Rognard D9/447
 D649,048 S 11/2011 Baker et al.
 D672,241 S 12/2012 Sawicki et al.
 D673,043 S * 12/2012 Antier D9/443
 D673,044 S * 12/2012 Wisniewski D9/443
 D723,328 S * 3/2015 Steel D7/396.2
 D738,737 S * 9/2015 McCay D9/449
 D747,201 S * 1/2016 Pellerin D9/449
 D747,651 S * 1/2016 Hawry D9/449

2007/0039915 A1* 2/2007 Jackel B65D 5/746
 215/235
 2007/0095864 A1 5/2007 Vangeel et al.
 2007/0102389 A1* 5/2007 Hoepner B65D 47/0885
 215/235
 2008/0245889 A1 10/2008 Klabbers et al.

FOREIGN PATENT DOCUMENTS

CA D114661 5/2007
 CA D116117 11/2007
 CA D129685 11/2009
 CA D132574 5/2010
 CA D134383 11/2010
 CD 000612452-0009 10/2006
 CD 000612452-0010 10/2006
 CD 000612452-0011 10/2006
 CD 000612452-0012 10/2006
 CD 000612452-0013 10/2006
 CD 000612452-0014 10/2006
 CD 000612452-0015 10/2006
 CD 000612452-0016 10/2006
 CD 000612452-0028 10/2006
 CD 000612452-0033 10/2006
 CD 000612452-0034 10/2006
 CD 000612452-0035 10/2006
 CD 000612452-0036 10/2006
 CD 000612452-0037 10/2006
 CD 000612452-0038 10/2006
 CD 000612452-0039 10/2006
 CD 000612452-0040 10/2006
 CD 000755236-0001 7/2007
 CD 000755236-0002 7/2007
 CD 000755236-0003 7/2007
 CD 000755236-0004 7/2007
 CD 000755236-0005 7/2007
 CD 000755236-0006 7/2007
 CD 000755236-0011 7/2007
 CD 000755236-0022 7/2007
 CD 000755236-0023 7/2007
 CD 000755236-0024 7/2007
 CD 000755236-0025 7/2007
 CD 000755236-0026 7/2007
 CD 000755236-0027 7/2007
 CD 000755236-0028 7/2007
 CD 000861976-0004 8/2007
 MY UE(E) 01/0168 5/1996
 WO WO 2011/154324 12/2011

* cited by examiner

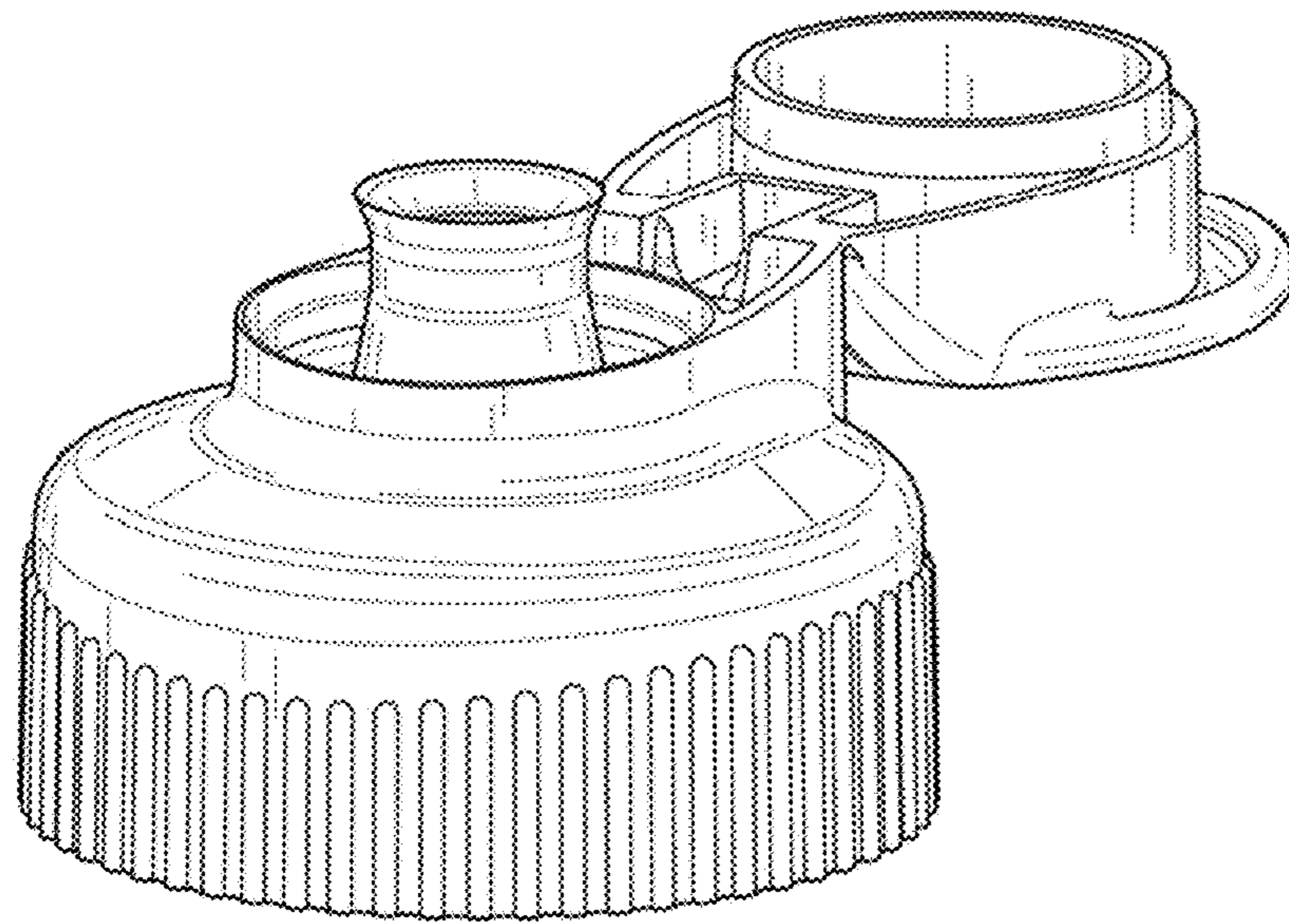


FIG. 1

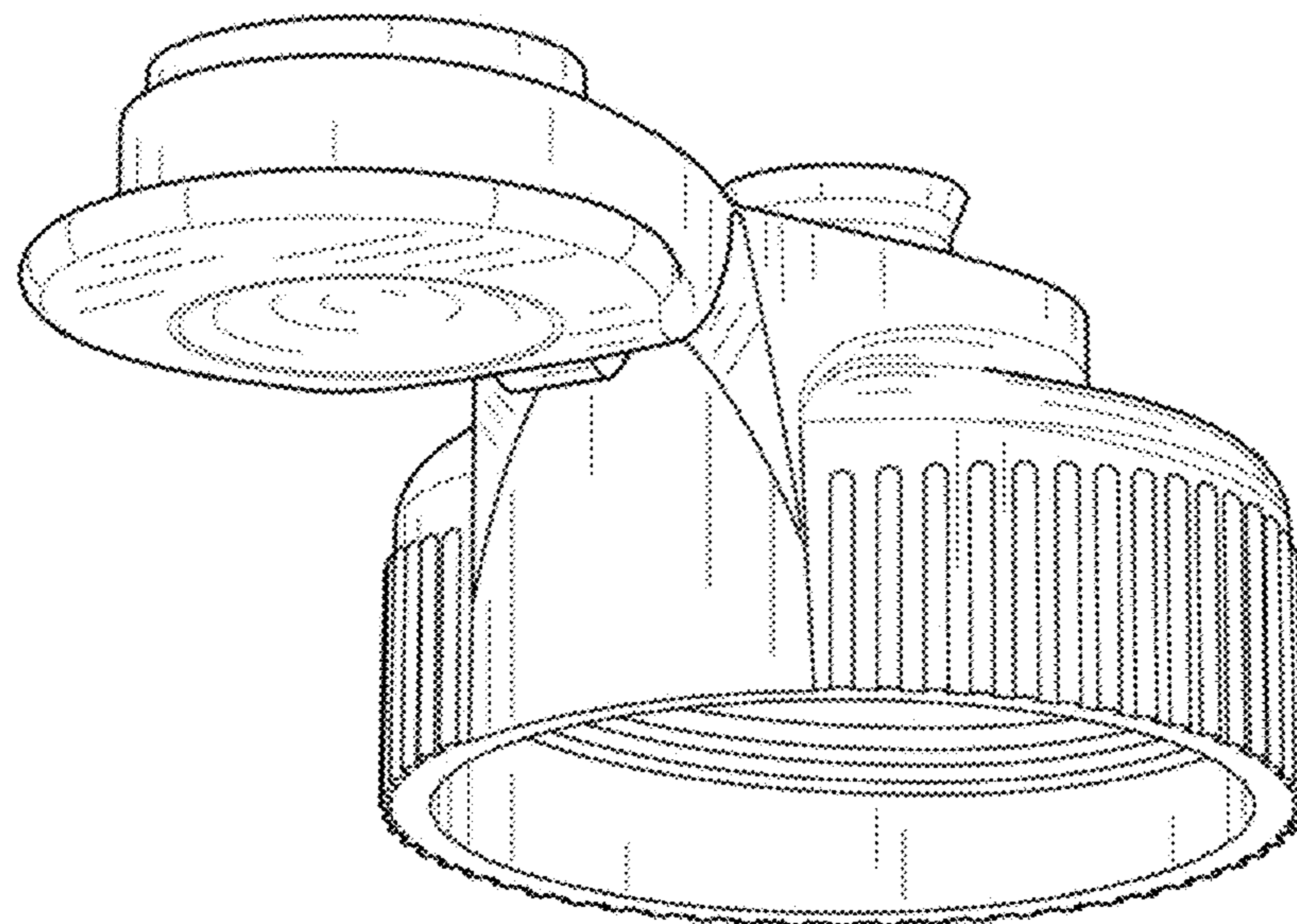


FIG. 2

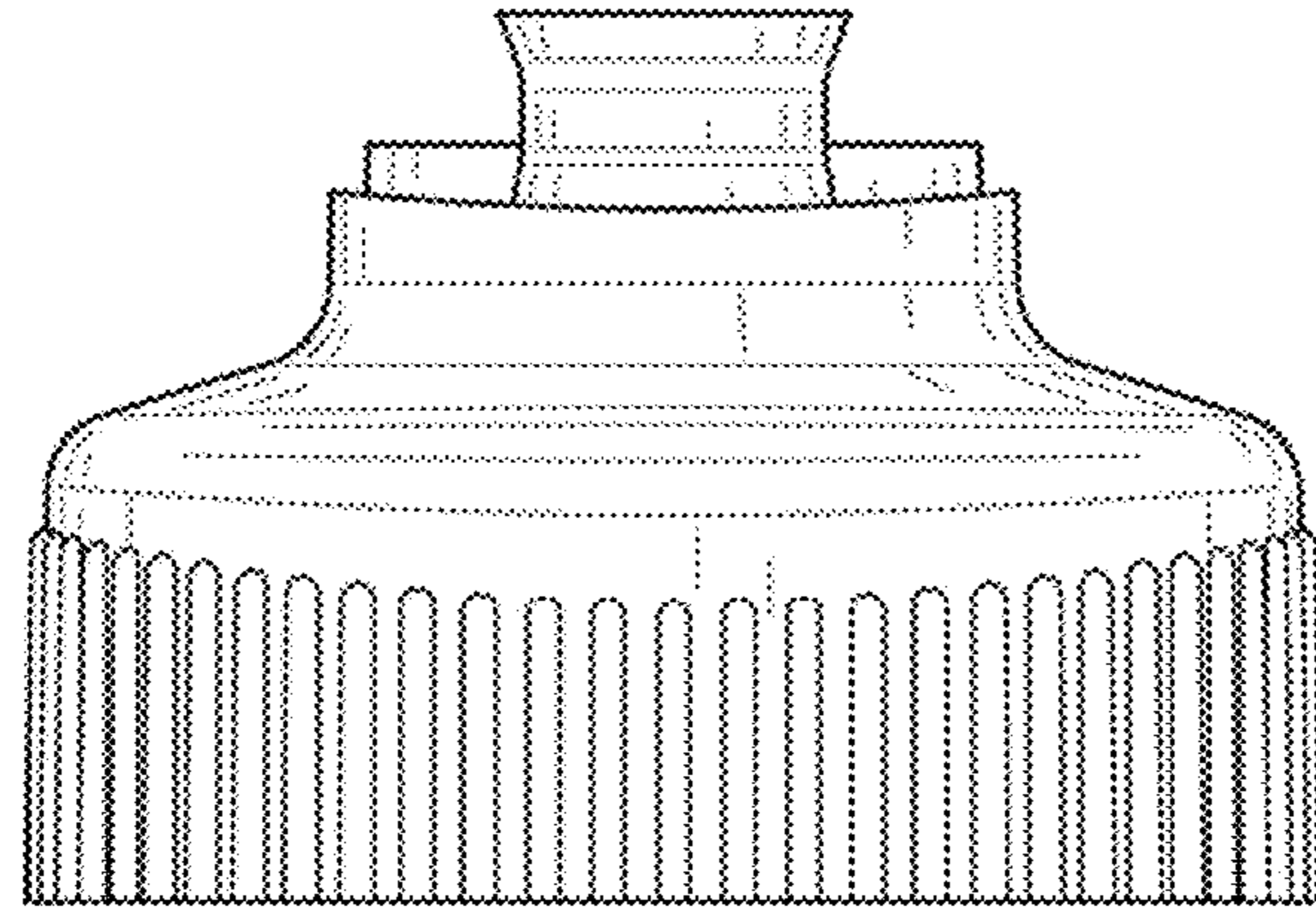


FIG. 3

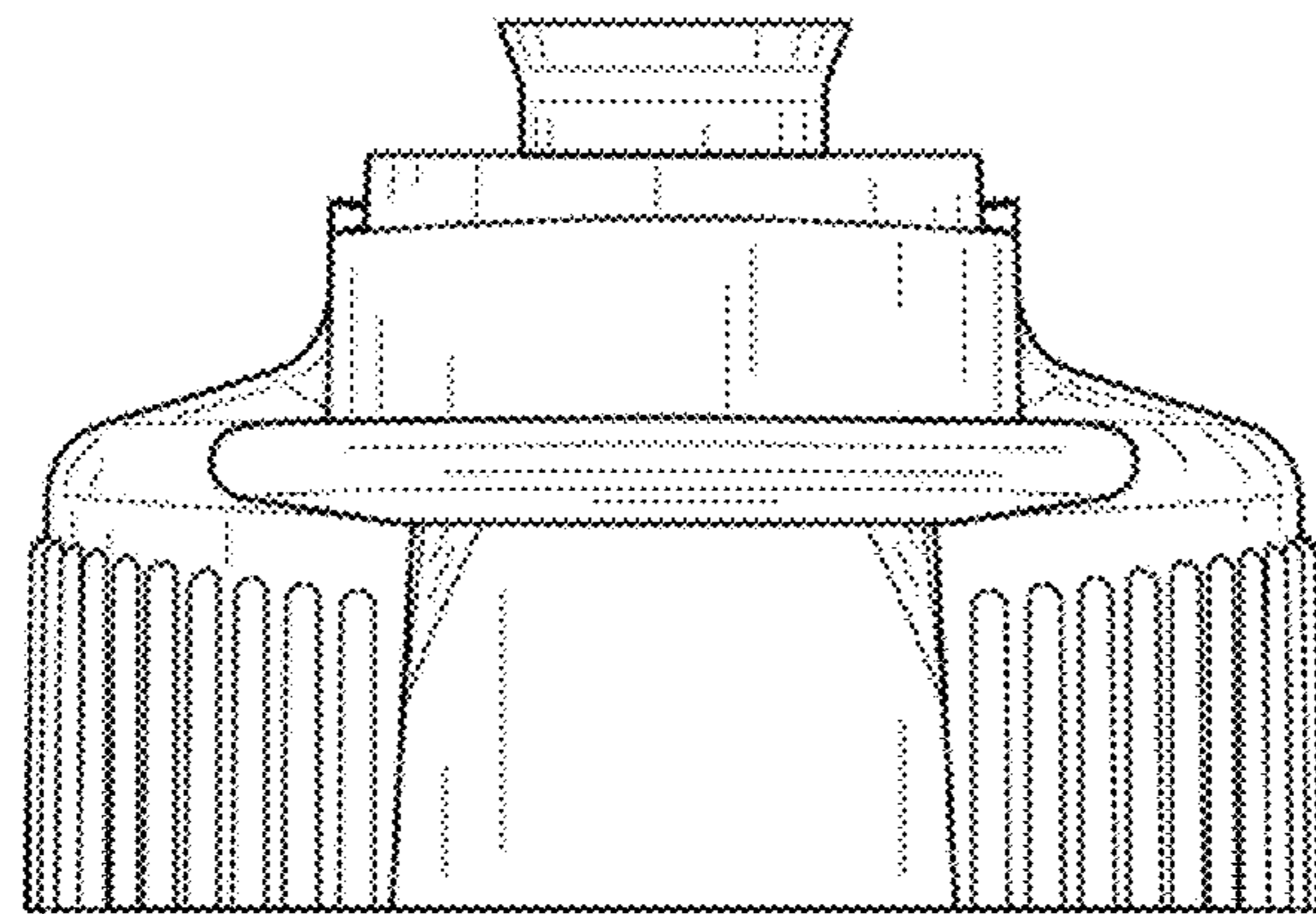


FIG. 4

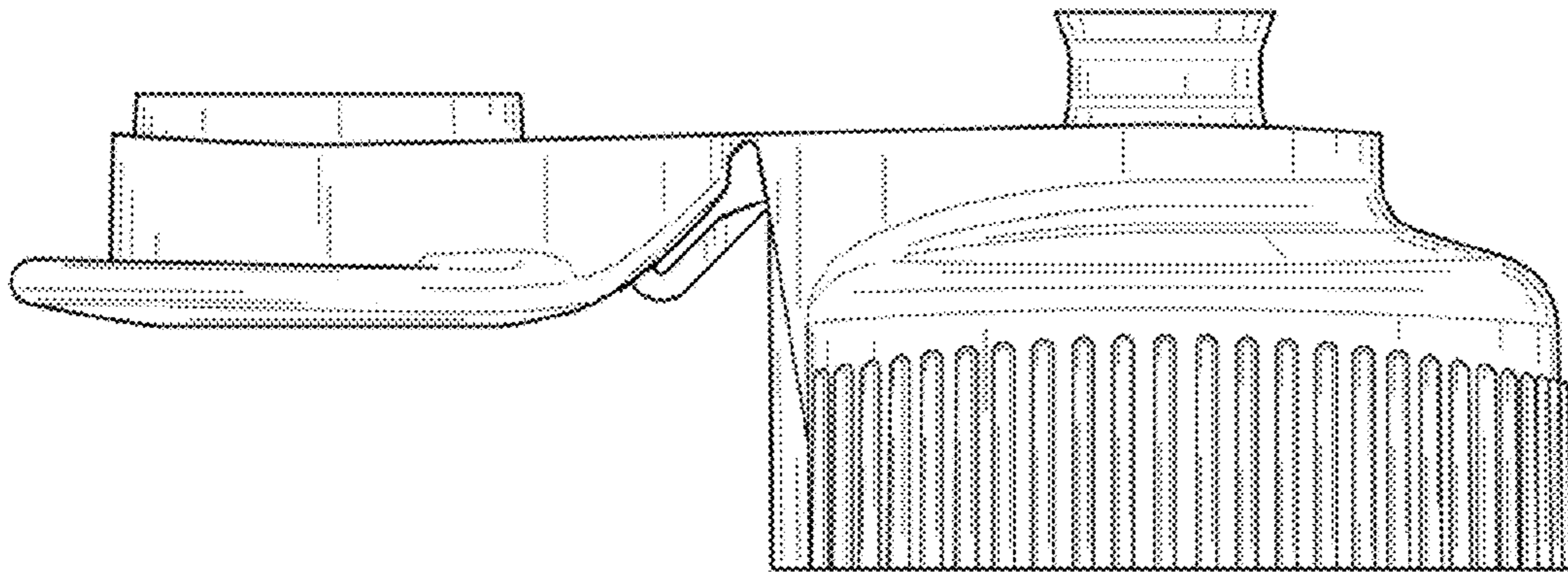


FIG. 5

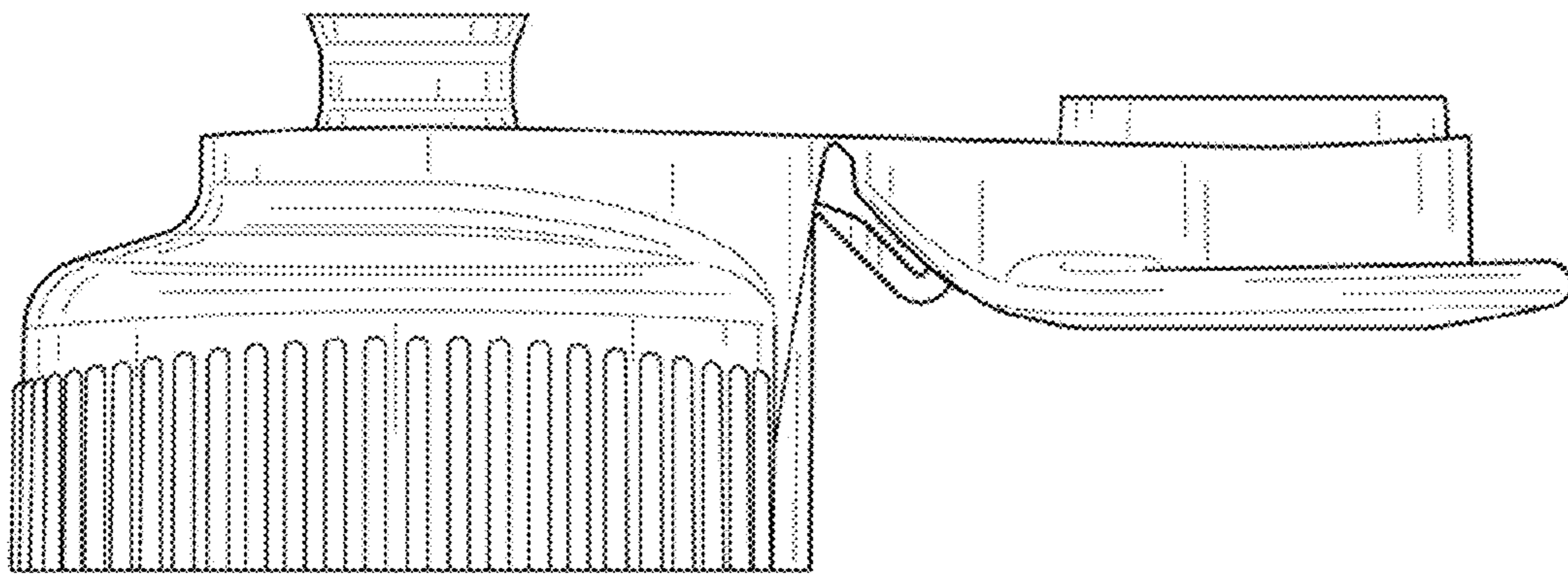


FIG. 6

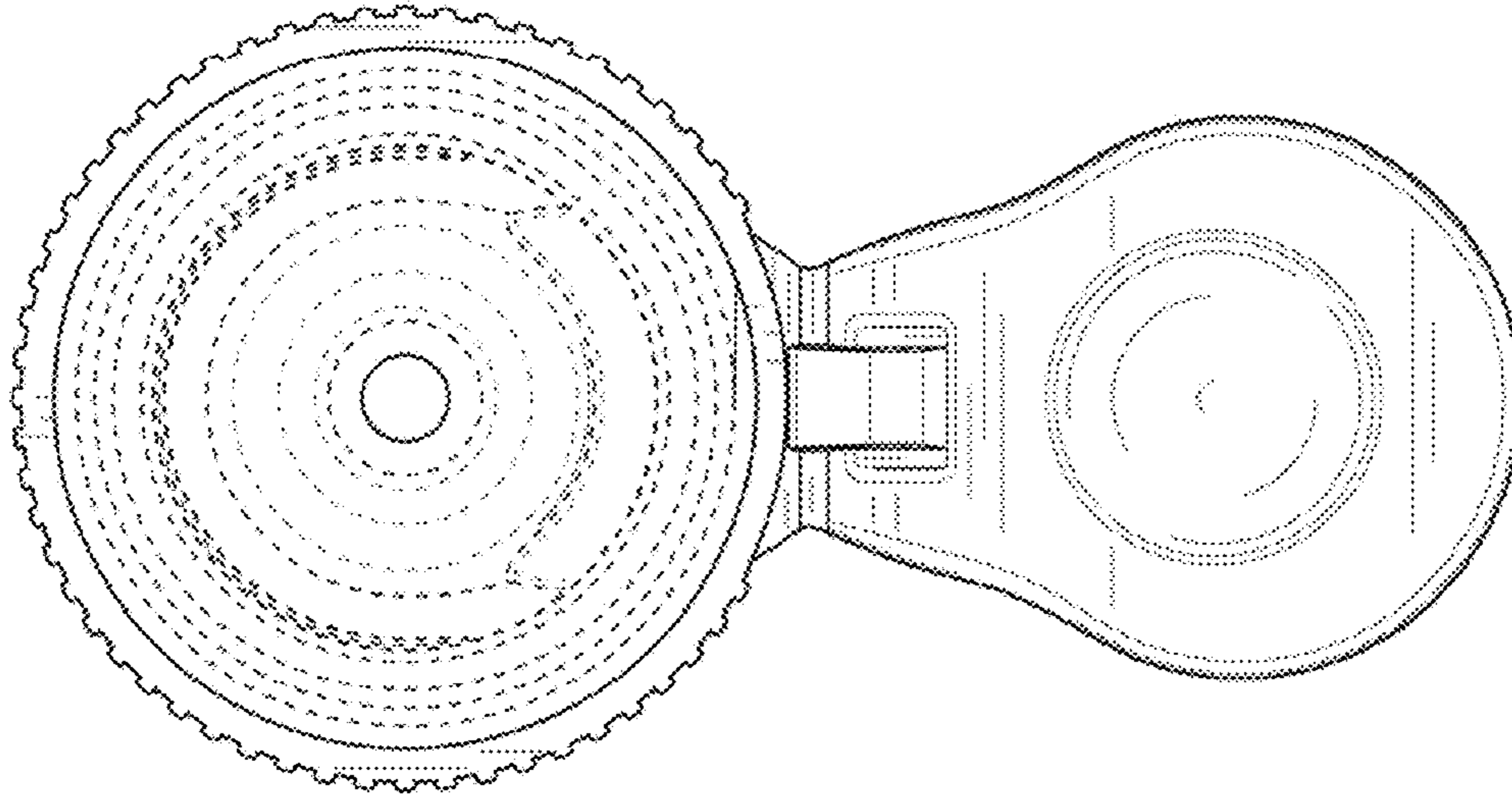


FIG. 8

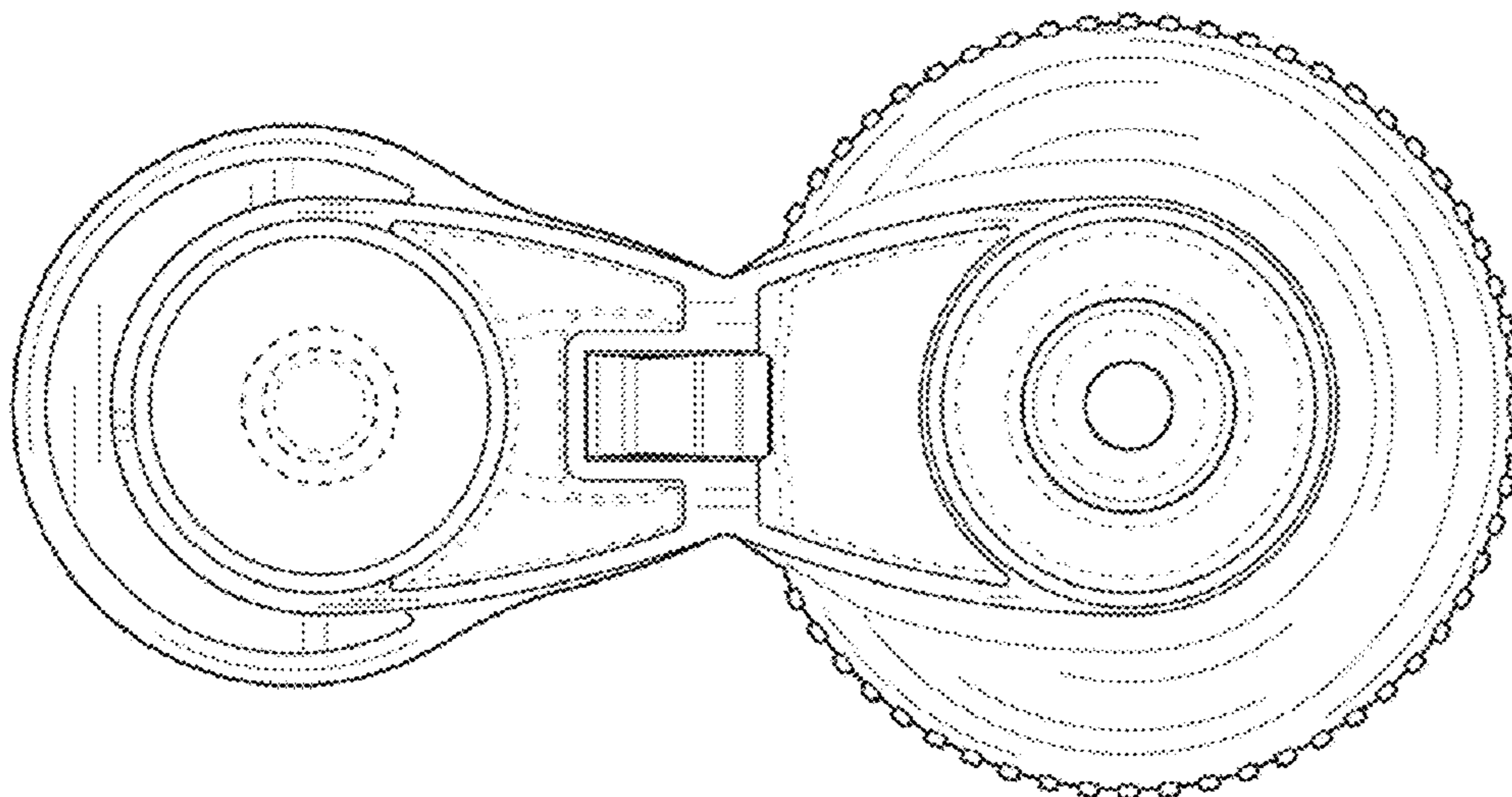


FIG. 7

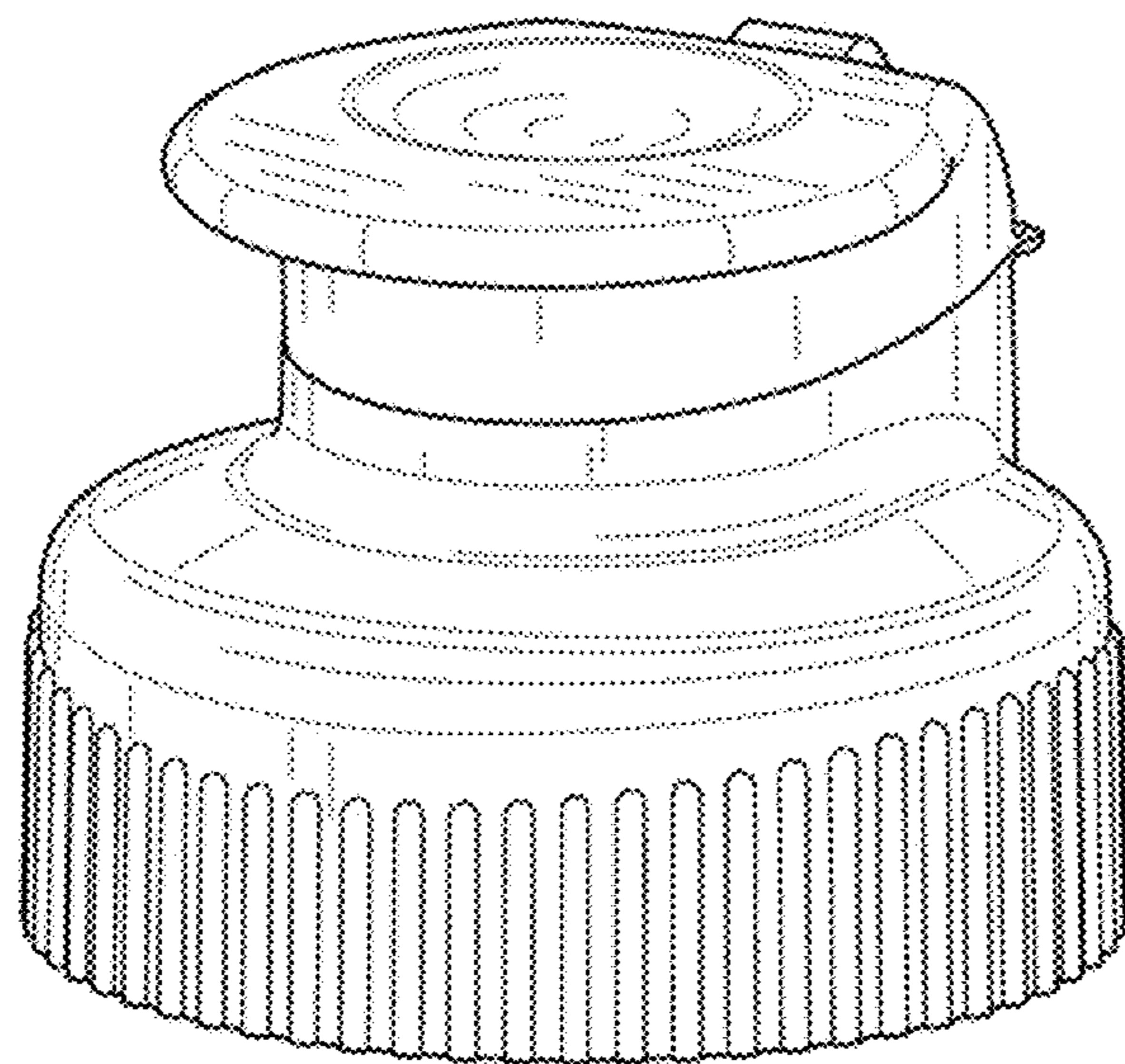


FIG. 9

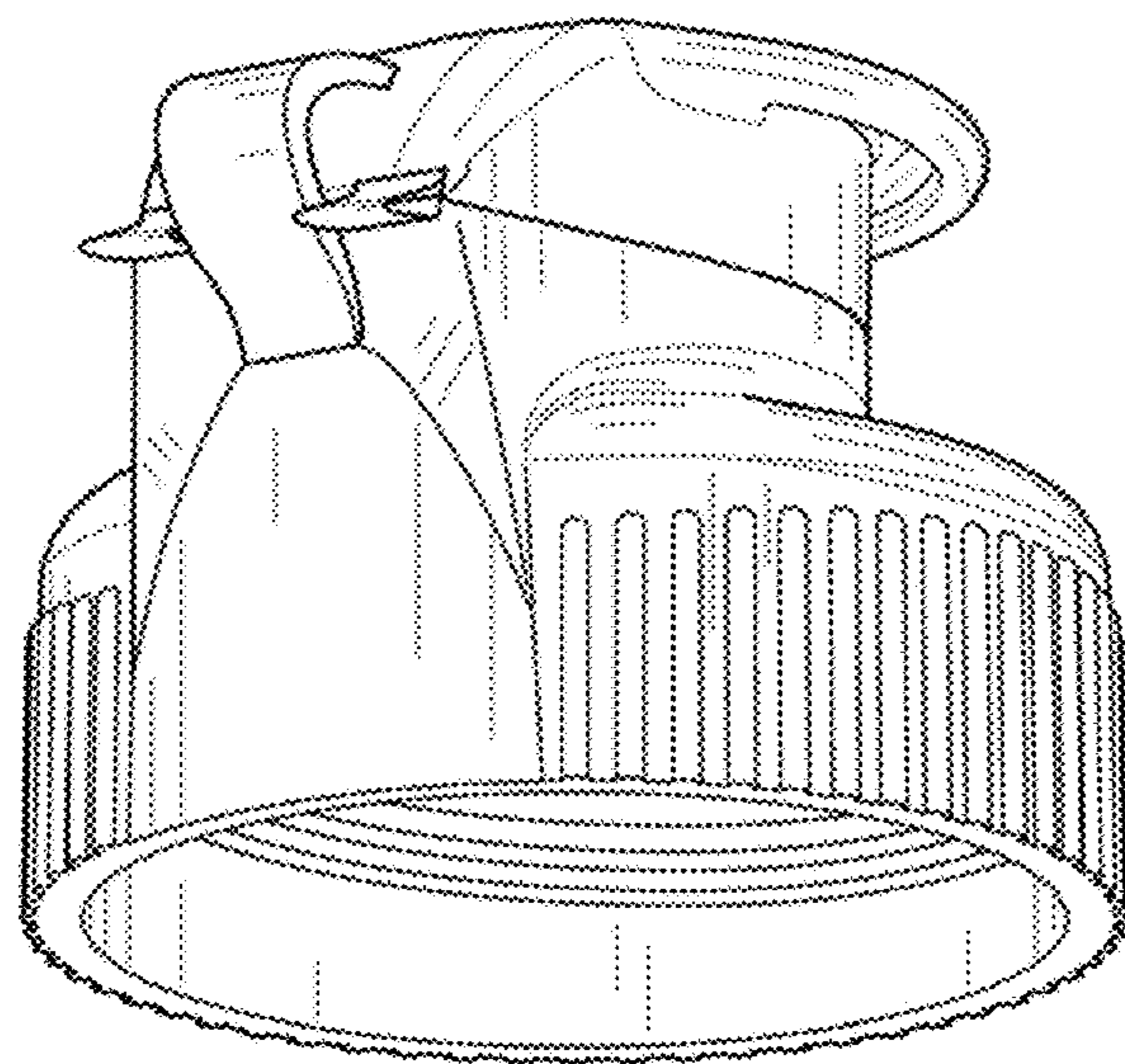


FIG. 10

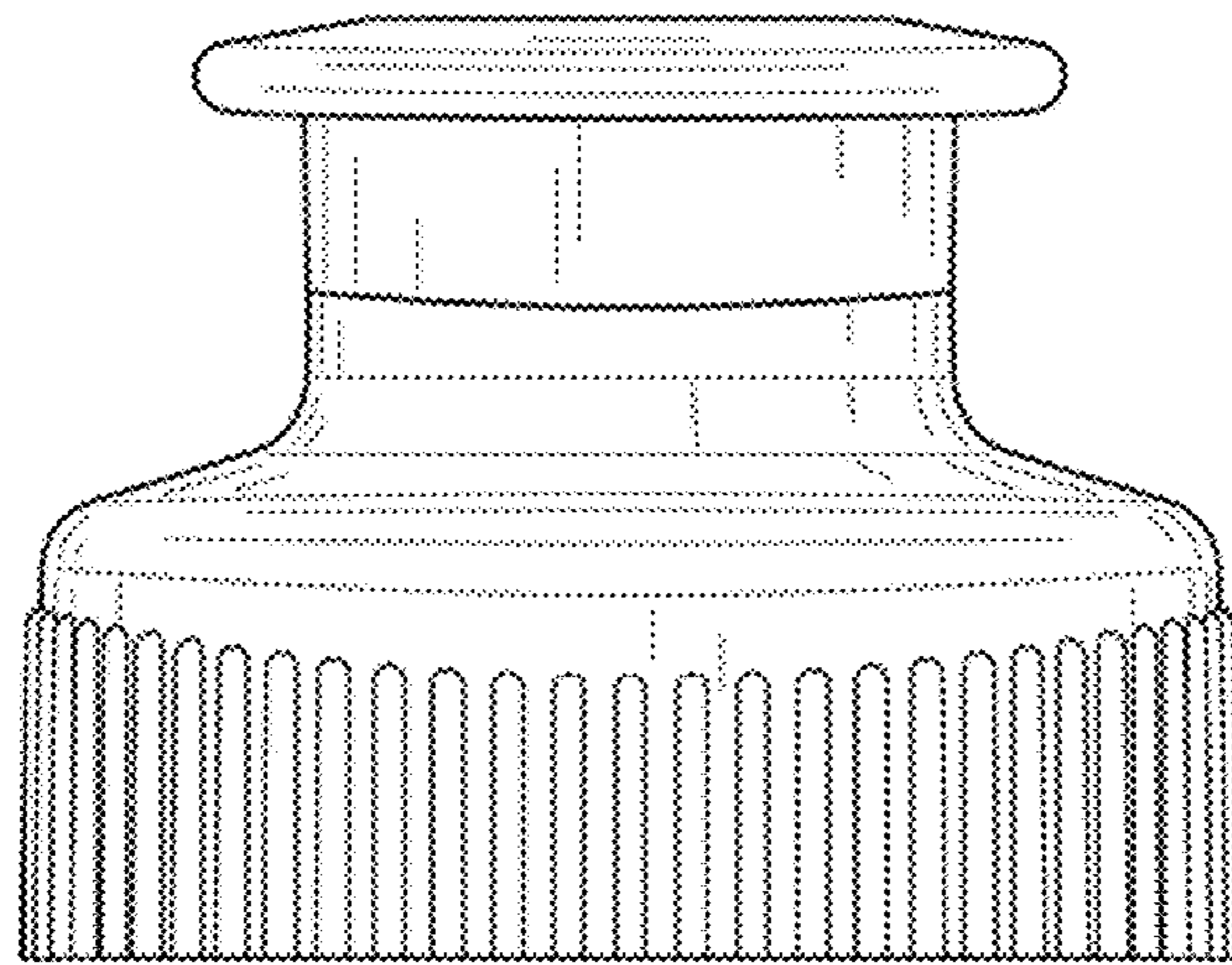


FIG. 11

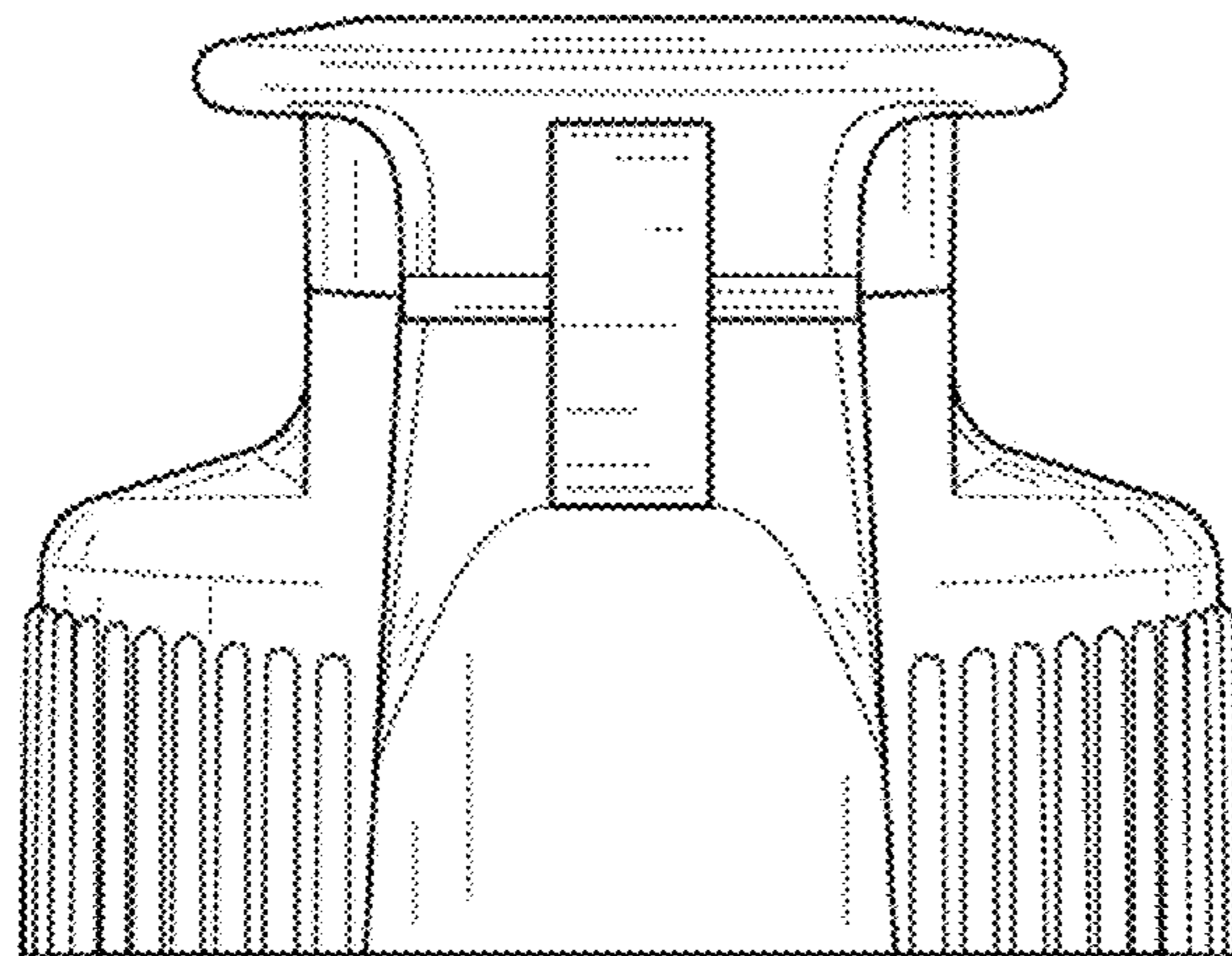


FIG. 12

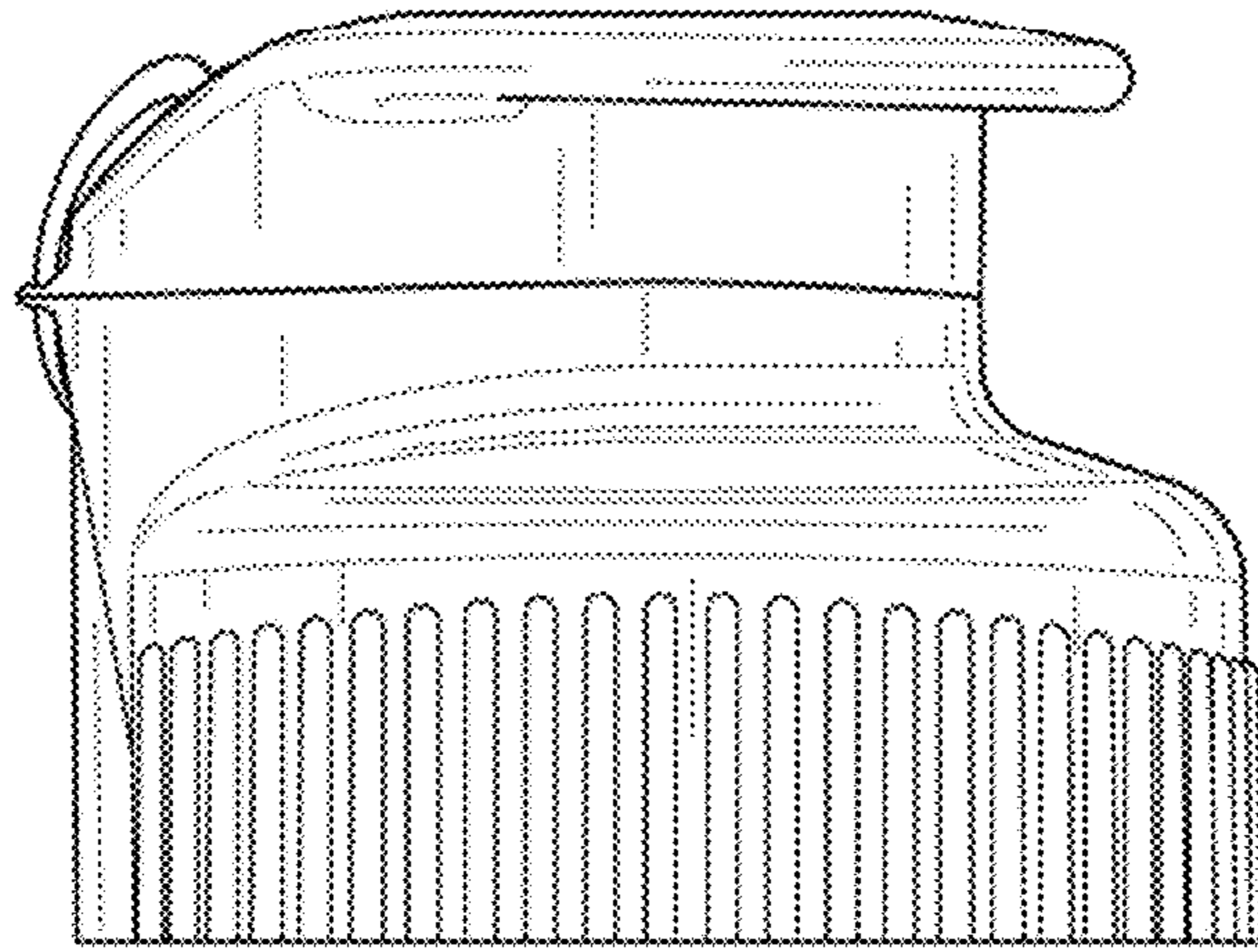


FIG. 13

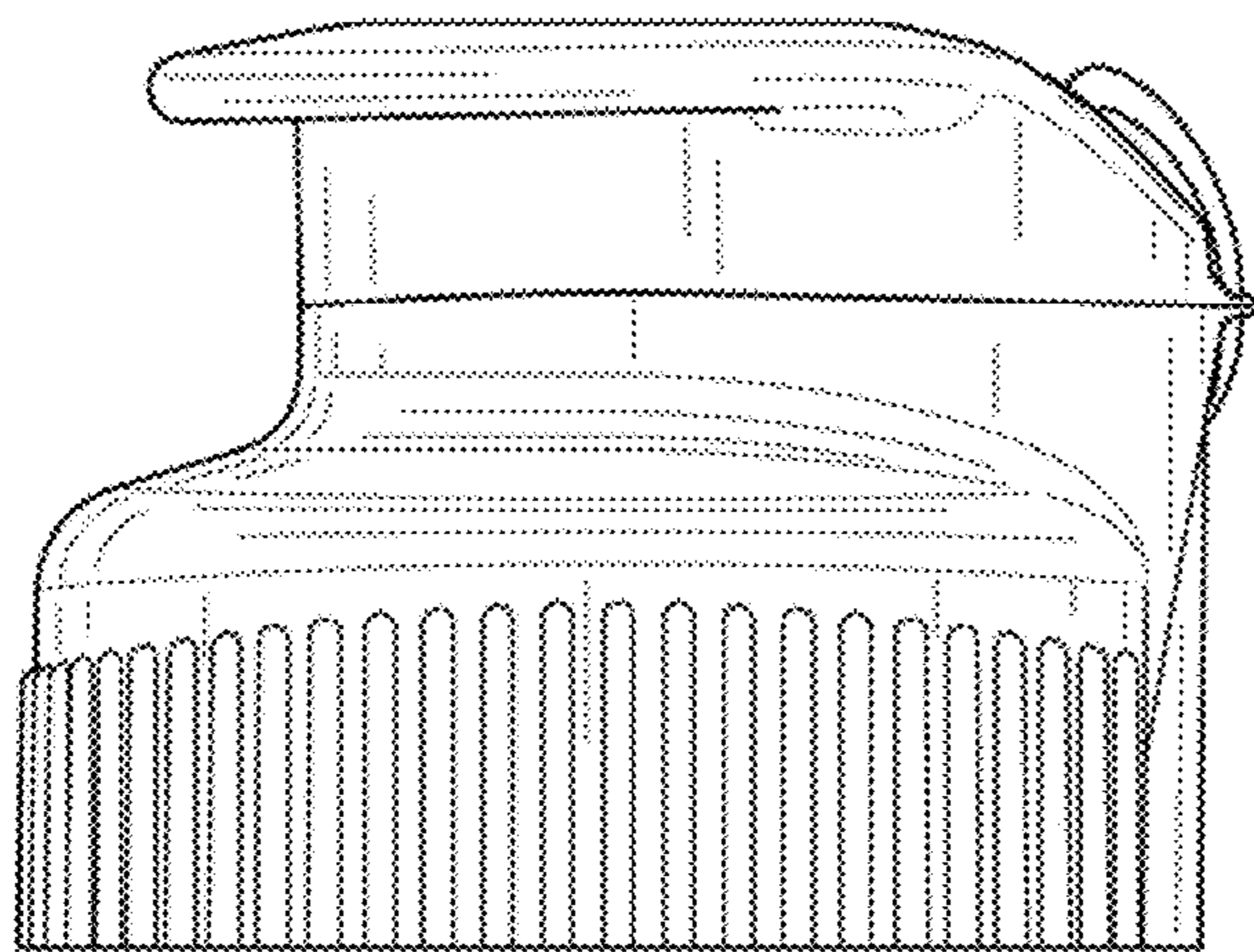


FIG. 14

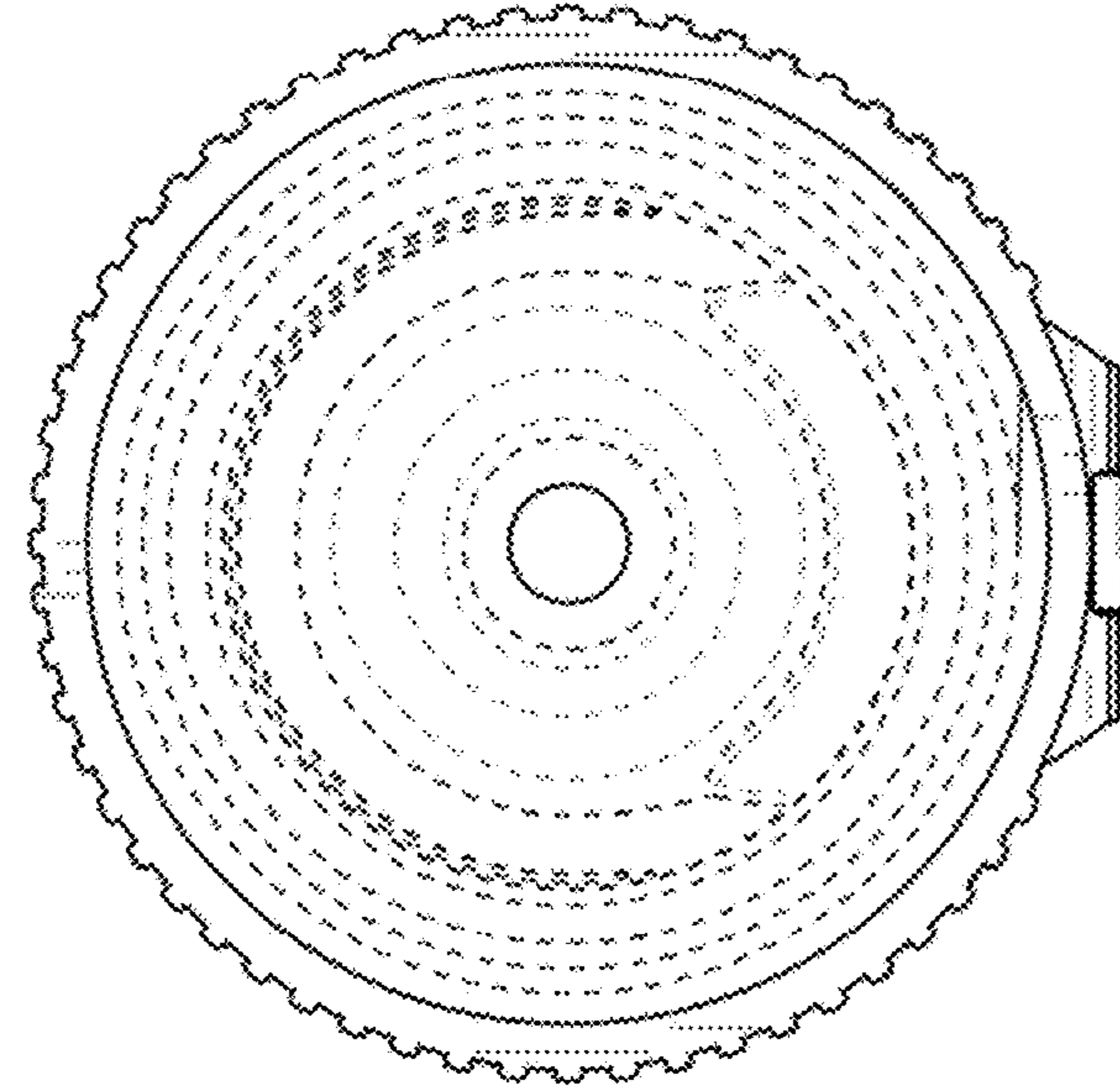


FIG. 15

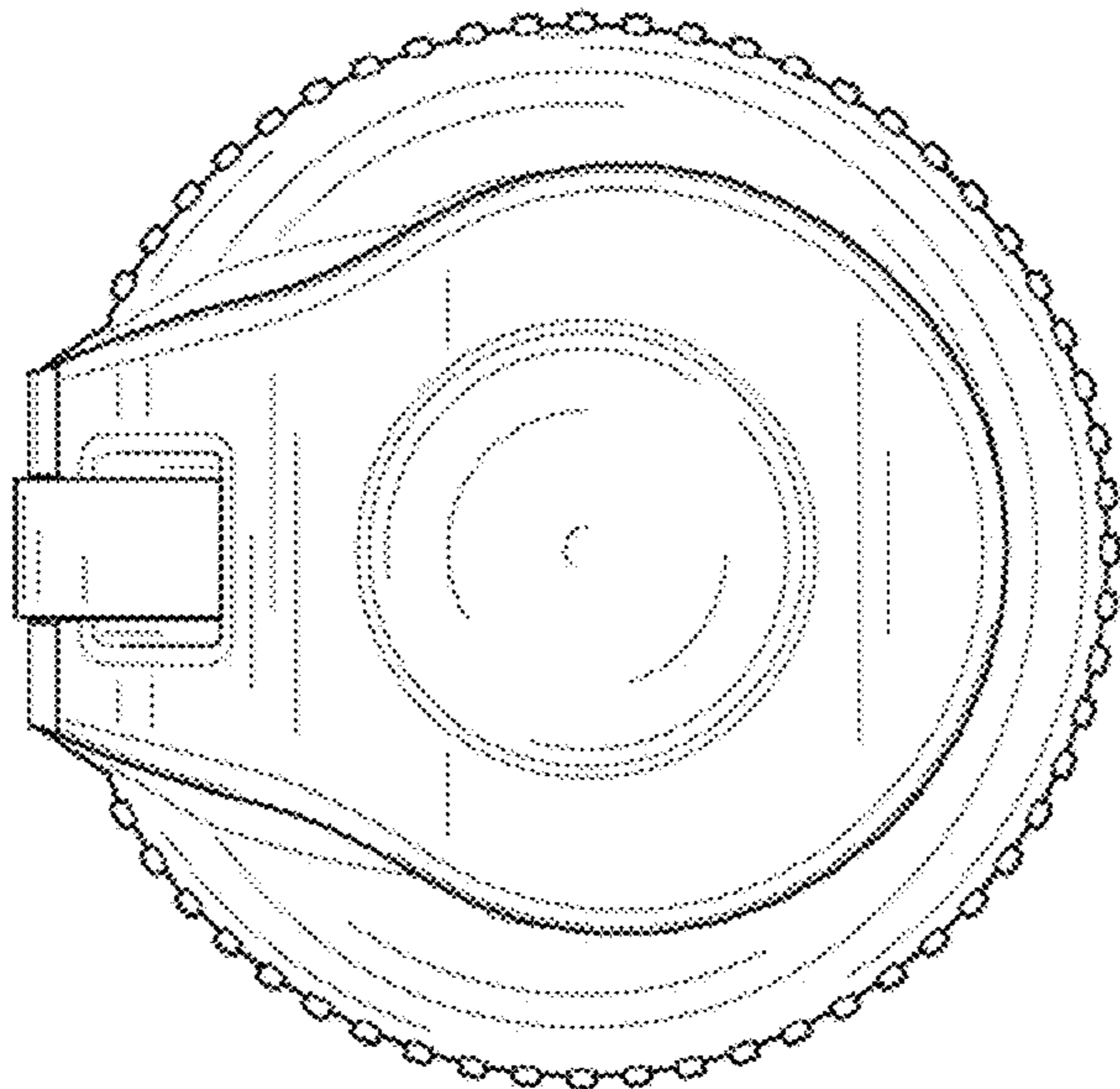


FIG. 16