



US00D768489S

(12) **United States Design Patent** (10) **Patent No.:** **US D768,489 S**
Indruk (45) **Date of Patent:** **** Oct. 11, 2016**

(54) **TIP FOR DISPENSER PUMP**
(71) Applicant: **Gregory L. Indruk**, Nashua, NH (US)
(72) Inventor: **Gregory L. Indruk**, Nashua, NH (US)
(**) Term: **15 Years**
(21) Appl. No.: **29/532,798**

D385,193 S 10/1997 Daansen
D396,411 S 7/1998 Daansen
D396,589 S 8/1998 Daansen
D422,823 S 4/2000 Daansen
D424,350 S 5/2000 Daansen
D427,470 S 7/2000 Daansen
D474,689 S * 5/2003 Dinsky D9/434
D507,744 S * 7/2005 Hierzer D9/440
D517,915 S 3/2006 Daansen
D551,075 S * 9/2007 Puller D9/447

(22) Filed: **Jul. 10, 2015**
(51) **LOC (10) Cl.** **09-07**
(52) **U.S. Cl.**
USPC **D9/447**
(58) **Field of Classification Search**
USPC D7/300.2, 397, 398; D9/434-436, 439,
D9/440, 443, 447, 449, 499; D24/108,
D24/127; 222/397
CPC B65D 47/06
See application file for complete search history.

(Continued)

OTHER PUBLICATIONS

Design U.S. Appl. No. 29/528,169, filed May 27, 2015.

Primary Examiner — Robert M Spear
Assistant Examiner — Darcey E Heflin
(74) *Attorney, Agent, or Firm* — McLane Middleton,
Professional Association

(56) **References Cited**

U.S. PATENT DOCUMENTS

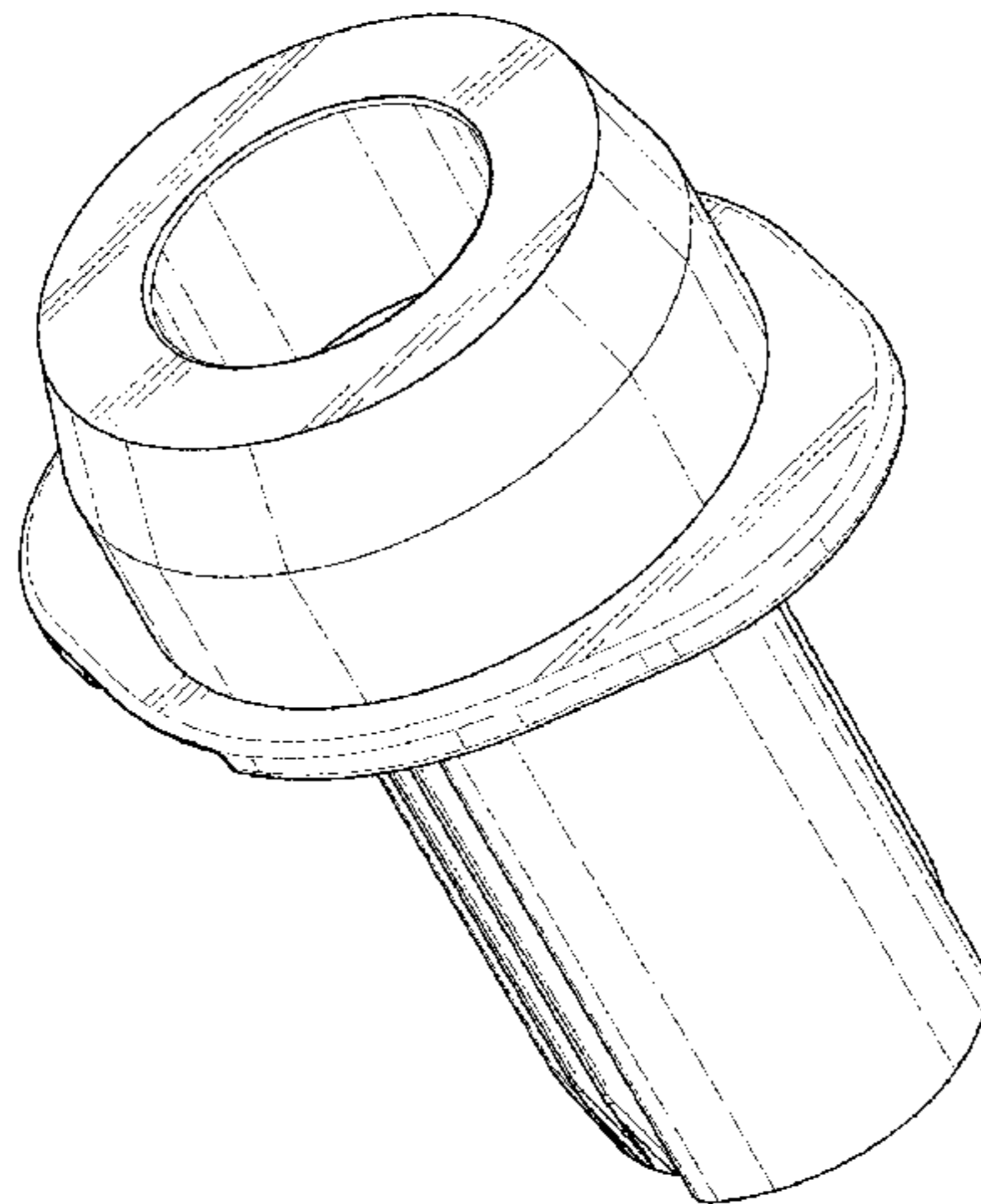
D33,101 S * 8/1900 Corcoran D9/440
D120,464 S * 5/1940 Martin D9/434
D200,895 S * 4/1965 Symonds D7/398
D314,707 S * 2/1991 Granger D9/435
D359,683 S * 6/1995 Beach D9/434
5,464,125 A 11/1995 Daansen
D366,391 S * 1/1996 Haley D7/387
D366,833 S 2/1996 Daansen
5,501,372 A 3/1996 Daansen
D370,813 S 6/1996 Daansen
D370,814 S 6/1996 Daansen
D370,963 S 6/1996 Daansen
D371,514 S 7/1996 Daansen
D371,966 S 7/1996 Daansen
D378,196 S 2/1997 Daansen
5,598,952 A 2/1997 Daansen
D378,663 S 4/1997 Daansen
D378,718 S 4/1997 Daansen
D383,673 S 9/1997 Daansen
D383,674 S 9/1997 Daansen
D383,675 S 9/1997 Daansen
D384,284 S 9/1997 Daansen

(57) **CLAIM**
The ornamental design for a tip for dispenser pump, as shown and described.

DESCRIPTION

FIG. 1 is a perspective view of a tip for dispenser pump, taken generally from the top and right side, showing the new design;
FIG. 2 is a perspective view thereof, taken generally from the bottom and right side;
FIG. 3 is a perspective view thereof, taken generally from the bottom and rear side;
FIG. 4 is a top plan view thereof;
FIG. 5 is a bottom plan view thereof;
FIG. 6 is a right side elevational view thereof, the left side elevational view being identical thereto; and,
FIG. 7 is a front elevational view thereof, the rear elevational view being identical thereto.
The broken lines in the drawings illustrate features that form no part of the claimed design.

1 Claim, 7 Drawing Sheets



US D768,489 S

Page 2

(56)

References Cited

U.S. PATENT DOCUMENTS

D596,486 S * 7/2009 Pearsall D10/101
D664,639 S * 7/2012 Hoke D24/108
8,336,740 B1 12/2012 Daansen

D690,596 S * 10/2013 Logue D9/447
D701,304 S * 3/2014 Lair D24/129
8,899,449 B2 12/2014 Daansen
D732,955 S * 6/2015 Peckels D9/440

* cited by examiner

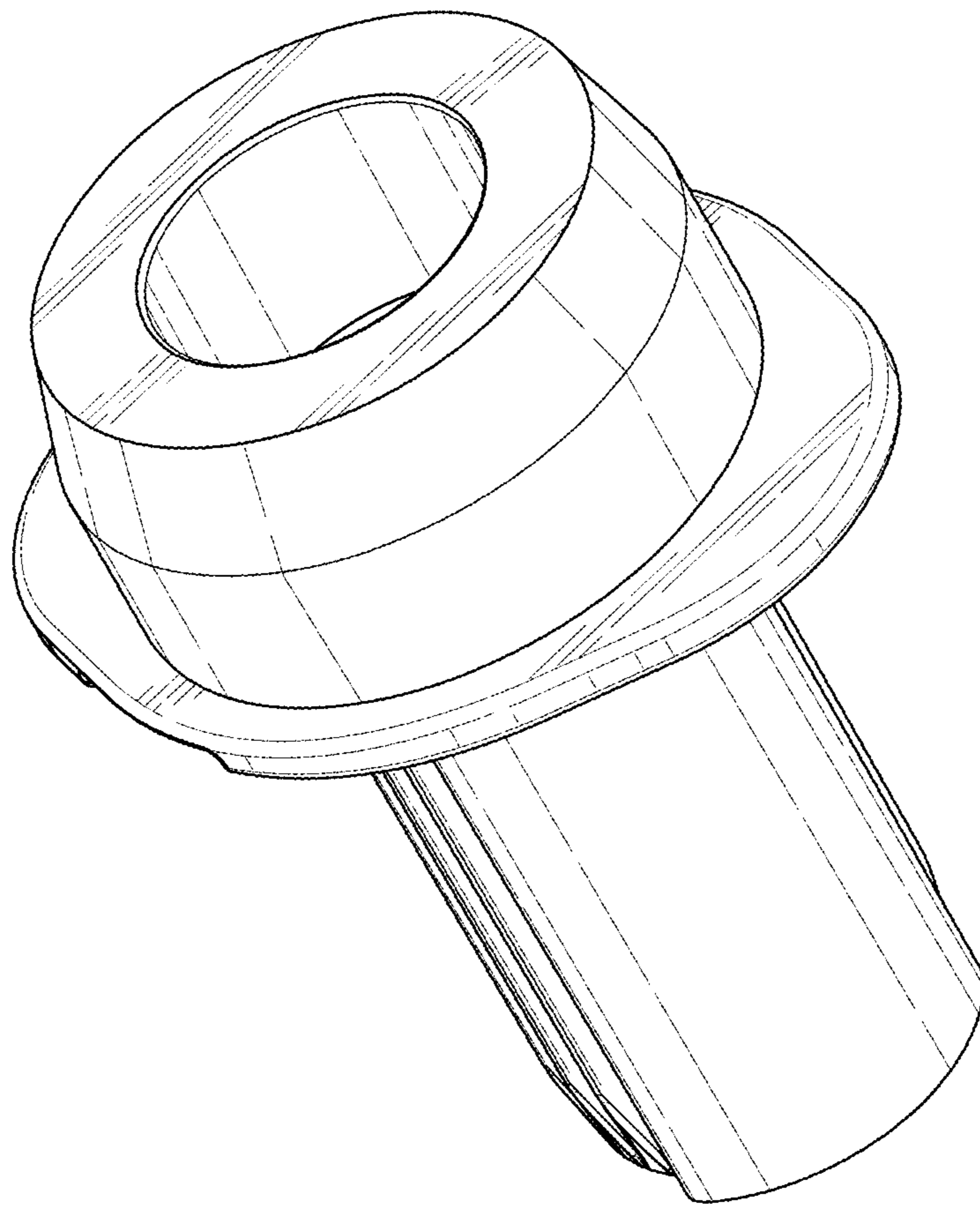


FIG. 1

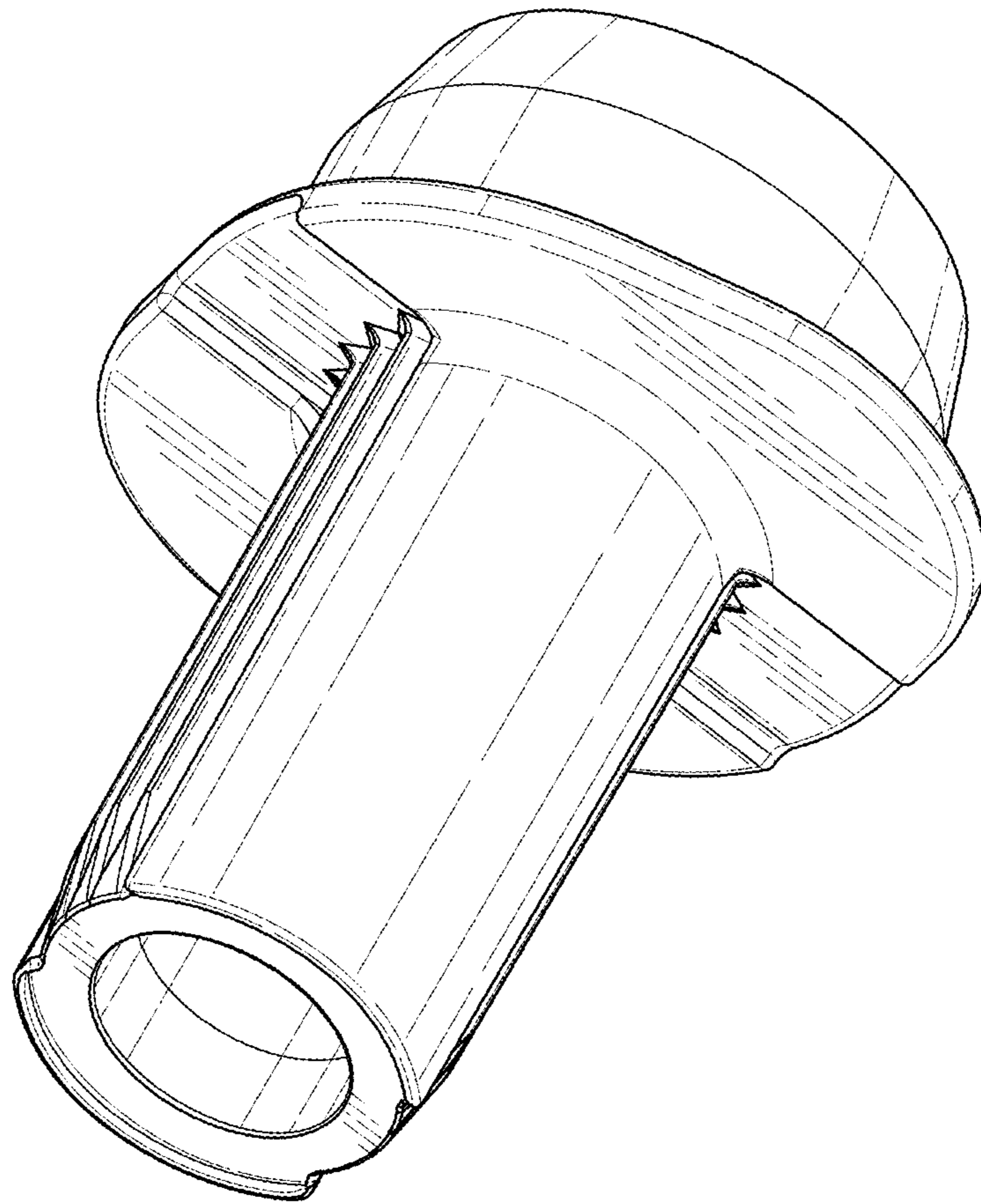


FIG. 2

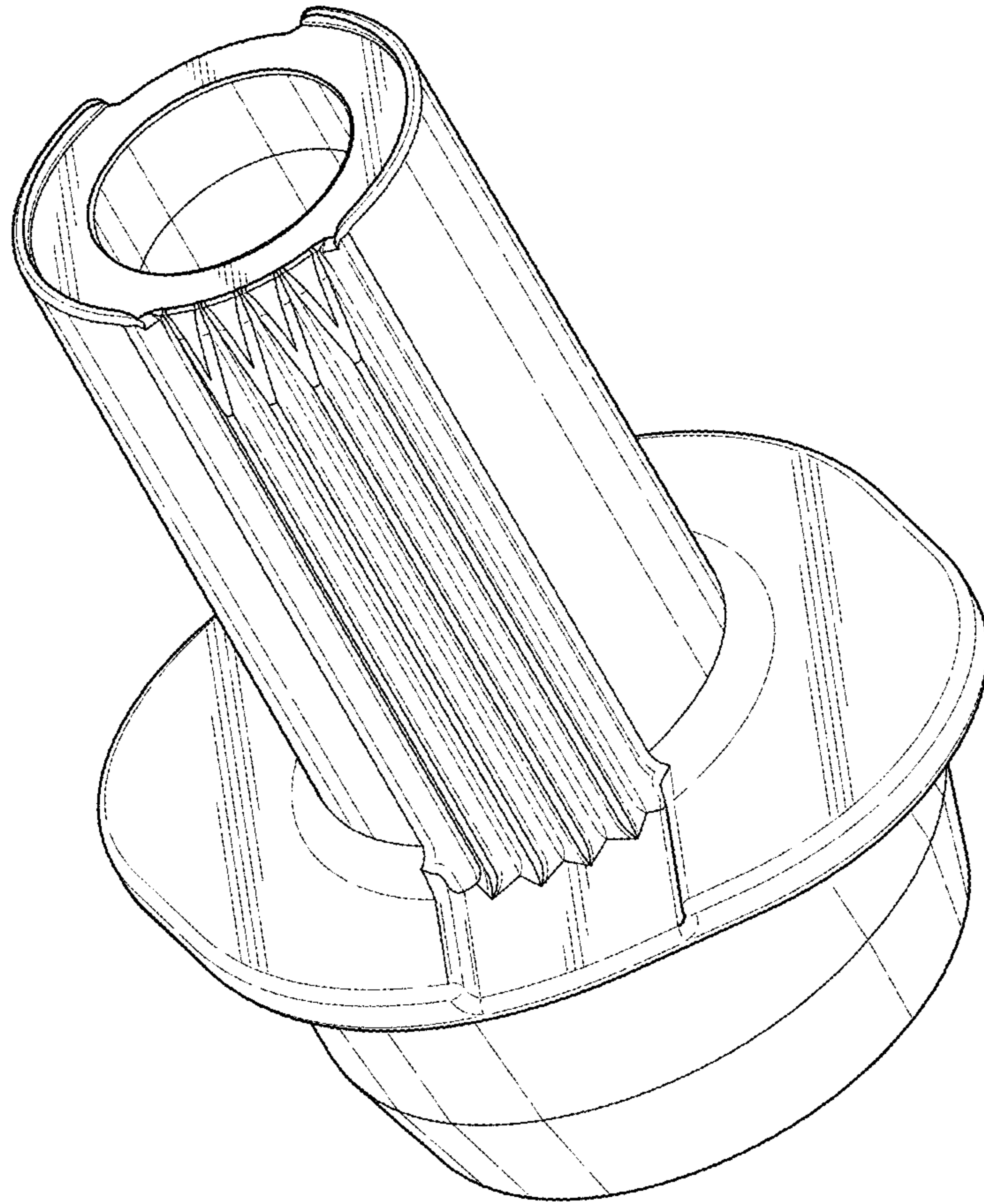


FIG. 3

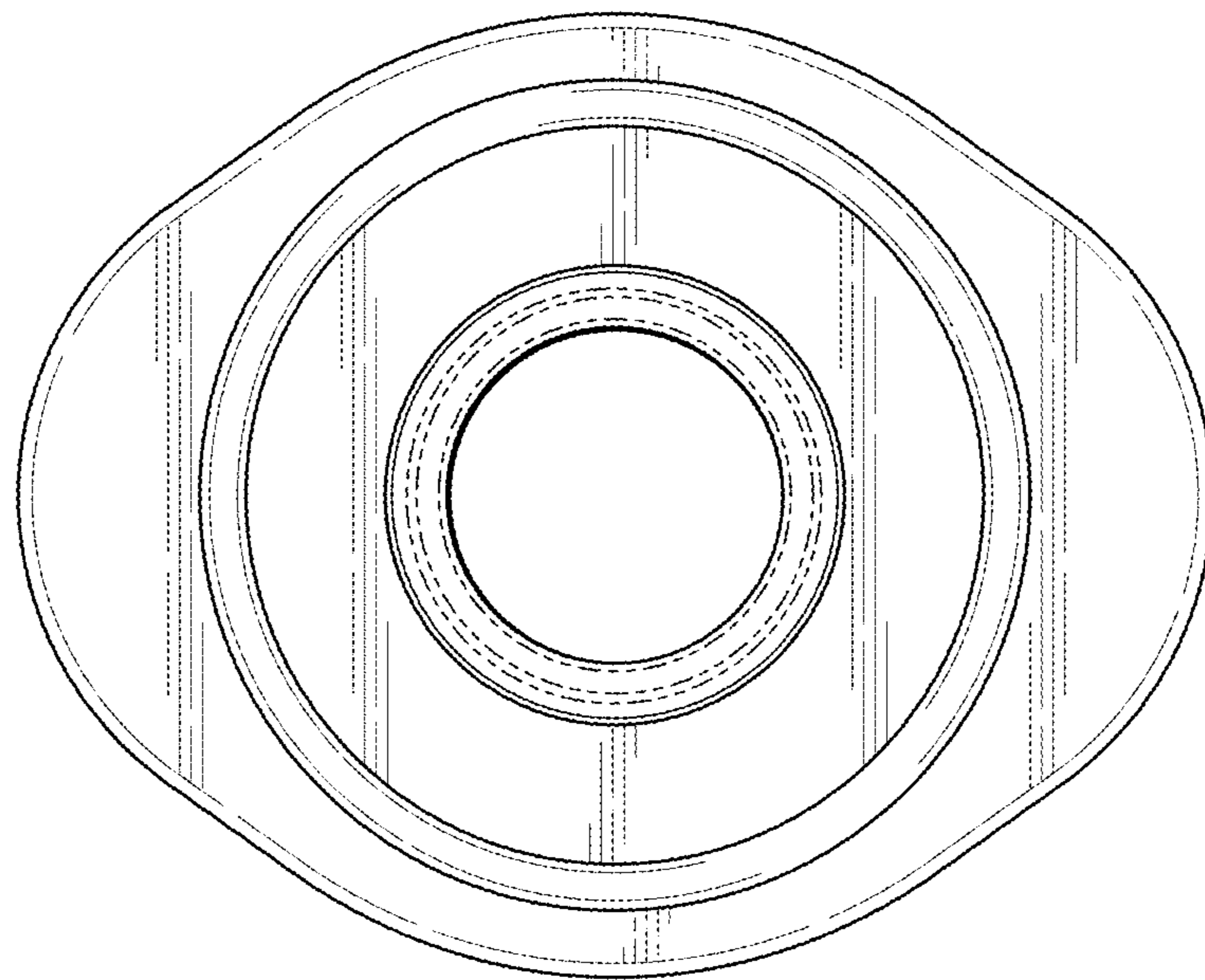


FIG. 4

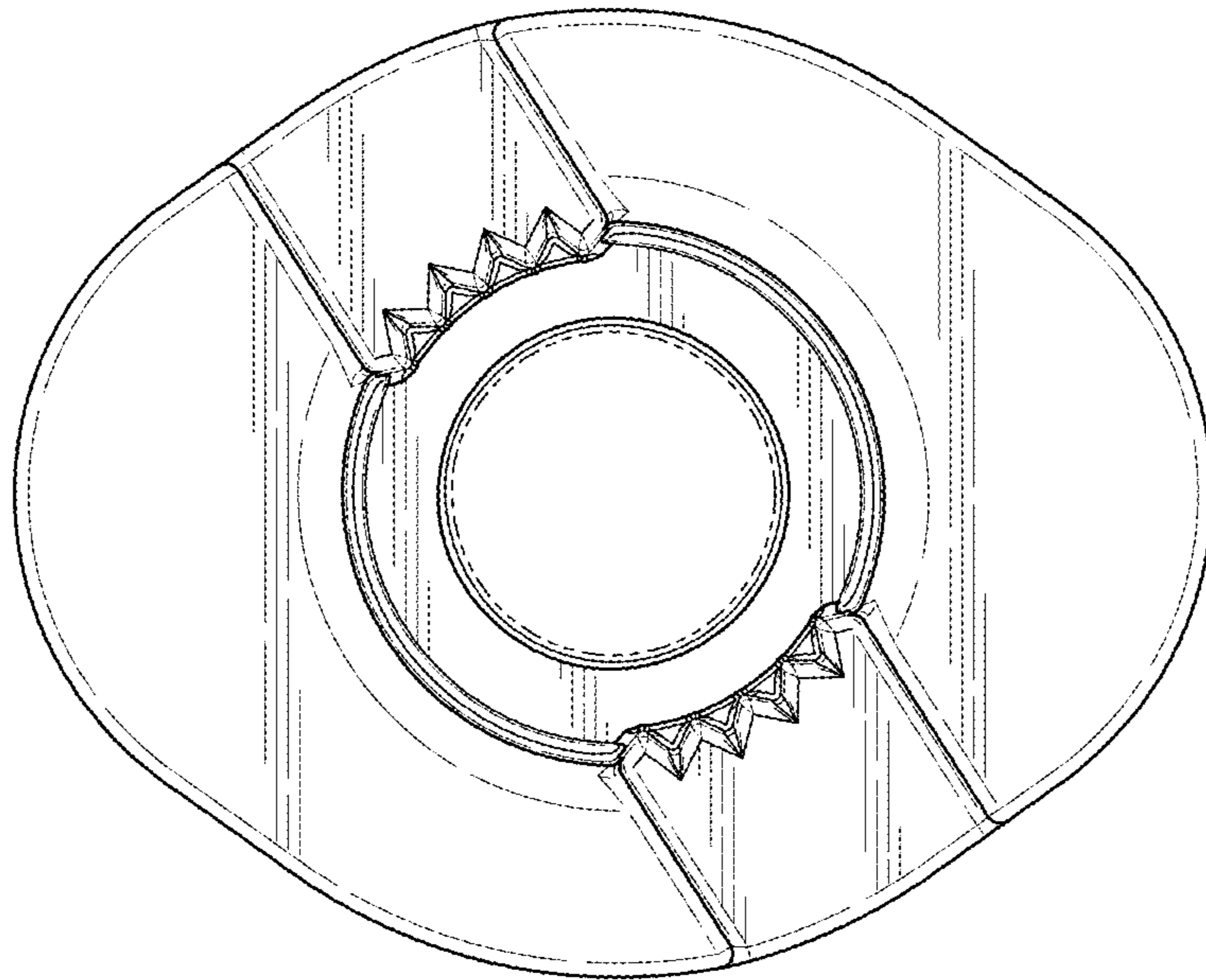


FIG. 5

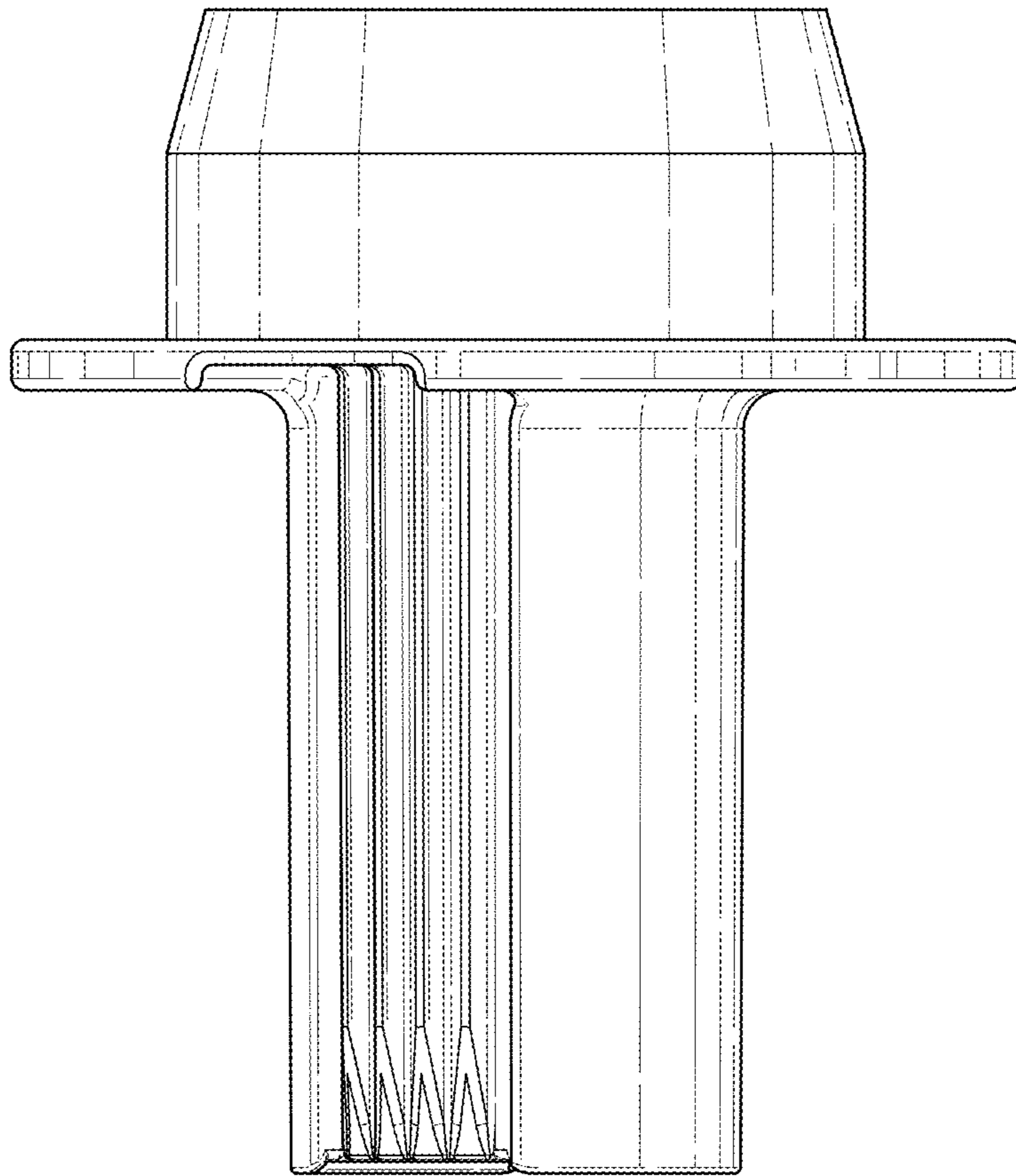


FIG. 6

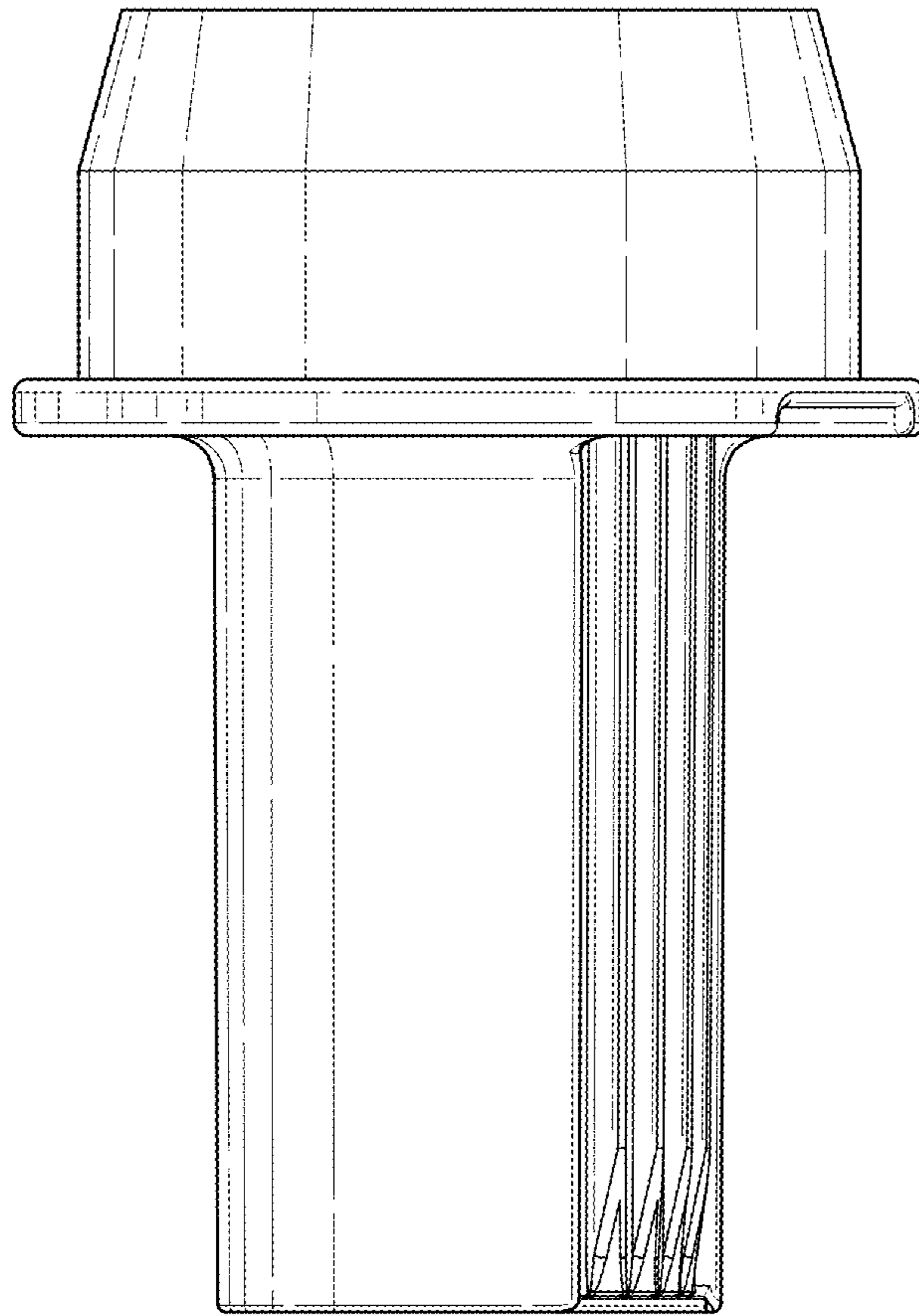


FIG. 7